



US00D685325S

(12) **United States Design Patent**  
**Hayashi**

(10) **Patent No.:** **US D685,325 S**  
(45) **Date of Patent:** **\*\* Jul. 2, 2013**

(54) **CURRENT TRANSDUCER**

(71) Applicant: **LEM Intellectual Property SA,**  
Fribourg (CH)

(72) Inventor: **Takayuki Hayashi,** Tokyo (JP)

(73) Assignee: **LEM Intellectual Property SA,**  
Fribourg (CH)

(\*\*) Term: **14 Years**

(21) Appl. No.: **29/437,379**

(22) Filed: **Nov. 15, 2012**

(30) **Foreign Application Priority Data**

May 16, 2012 (WO) ..... 669612801

(51) **LOC (9) Cl.** ..... **13-02**

(52) **U.S. Cl.**  
USPC ..... **D13/110**

(58) **Field of Classification Search**  
USPC ..... D13/110, 101, 117, 123, 124, 159,  
D13/184, 199; D10/75; 73/767, 771, 779,  
73/801, 811; 324/117 H, 117 R, 120, 121 R,  
324/127; 361/18, 30, 31, 93.1–93.9; 367/140;  
369/13.11–13.13; 381/150; 336/173, 176,  
336/178

See application file for complete search history.

(56) **References Cited**

U.S. PATENT DOCUMENTS

D288,314 S \* 2/1987 Makinson et al. .... D13/110  
4,794,326 A \* 12/1988 Friedl ..... 324/117 R  
5,103,163 A \* 4/1992 McLyman ..... 324/117 H  
5,587,651 A \* 12/1996 Berkcan et al. .... 324/127  
D468,683 S \* 1/2003 Maurer ..... D13/101  
6,727,683 B2 \* 4/2004 Goto et al. .... 324/117 H  
D534,120 S \* 12/2006 Ricci et al. .... D13/110

\* cited by examiner

*Primary Examiner* — Derrick Holland

(74) *Attorney, Agent, or Firm* — Sterne, Kessler, Goldstein  
& Fox, P.L.L.C.

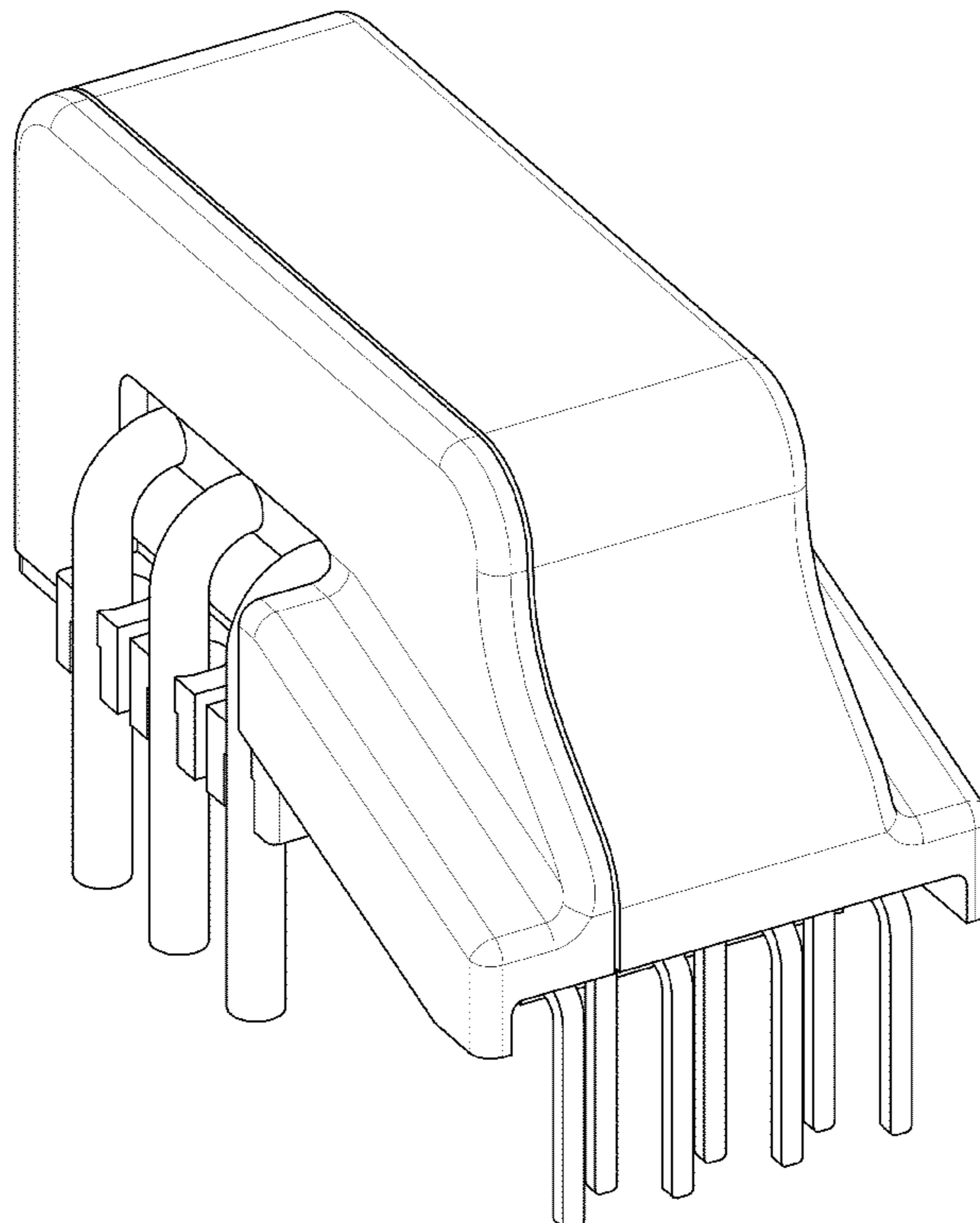
(57) **CLAIM**

The ornamental design for a current transducer, as shown and  
described.

**DESCRIPTION**

FIG. 1 is a top perspective view of a current transducer show-  
ing my new design;  
FIG. 2 is a bottom perspective view thereof;  
FIG. 3 is a front view thereof;  
FIG. 4 is a rear view thereof;  
FIG. 5 is a bottom plan view thereof;  
FIG. 6 is a top plan view thereof;  
FIG. 7 is a left side view thereof; and,  
FIG. 8 is a right side view thereof.  
The shade lines in the Figures show contour, and not surface  
ornamentation.

**1 Claim, 8 Drawing Sheets**



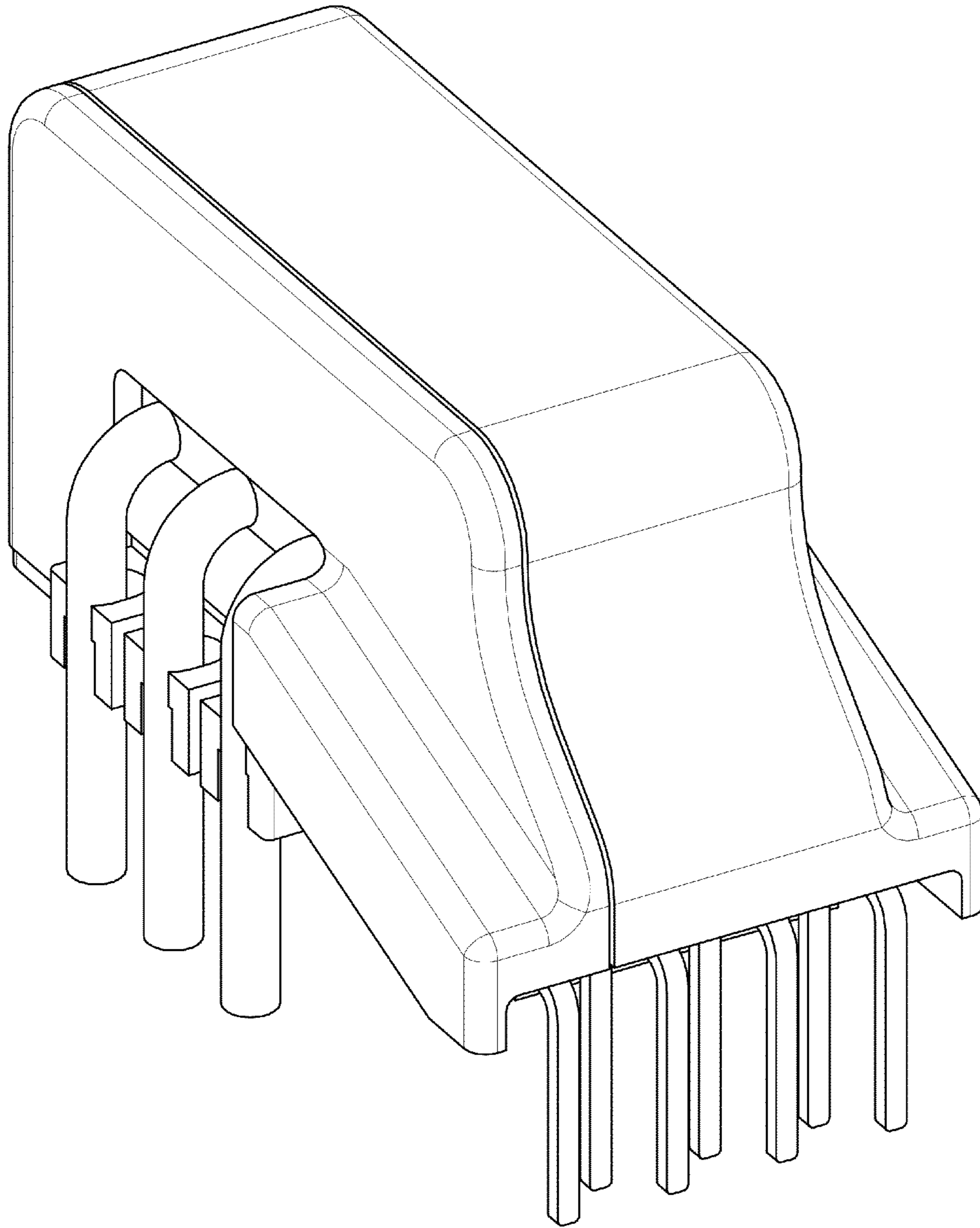


FIG. 1

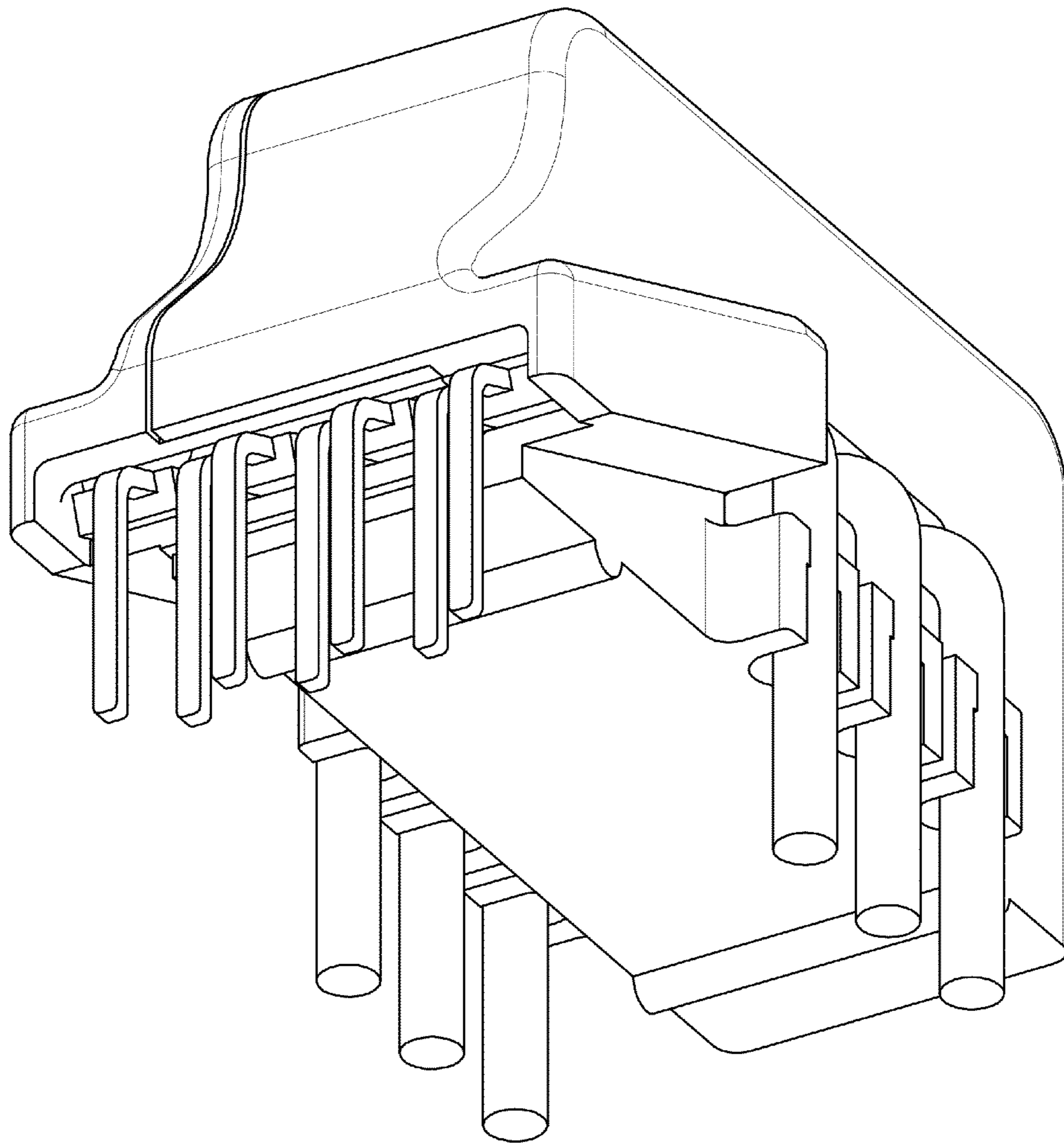


FIG. 2

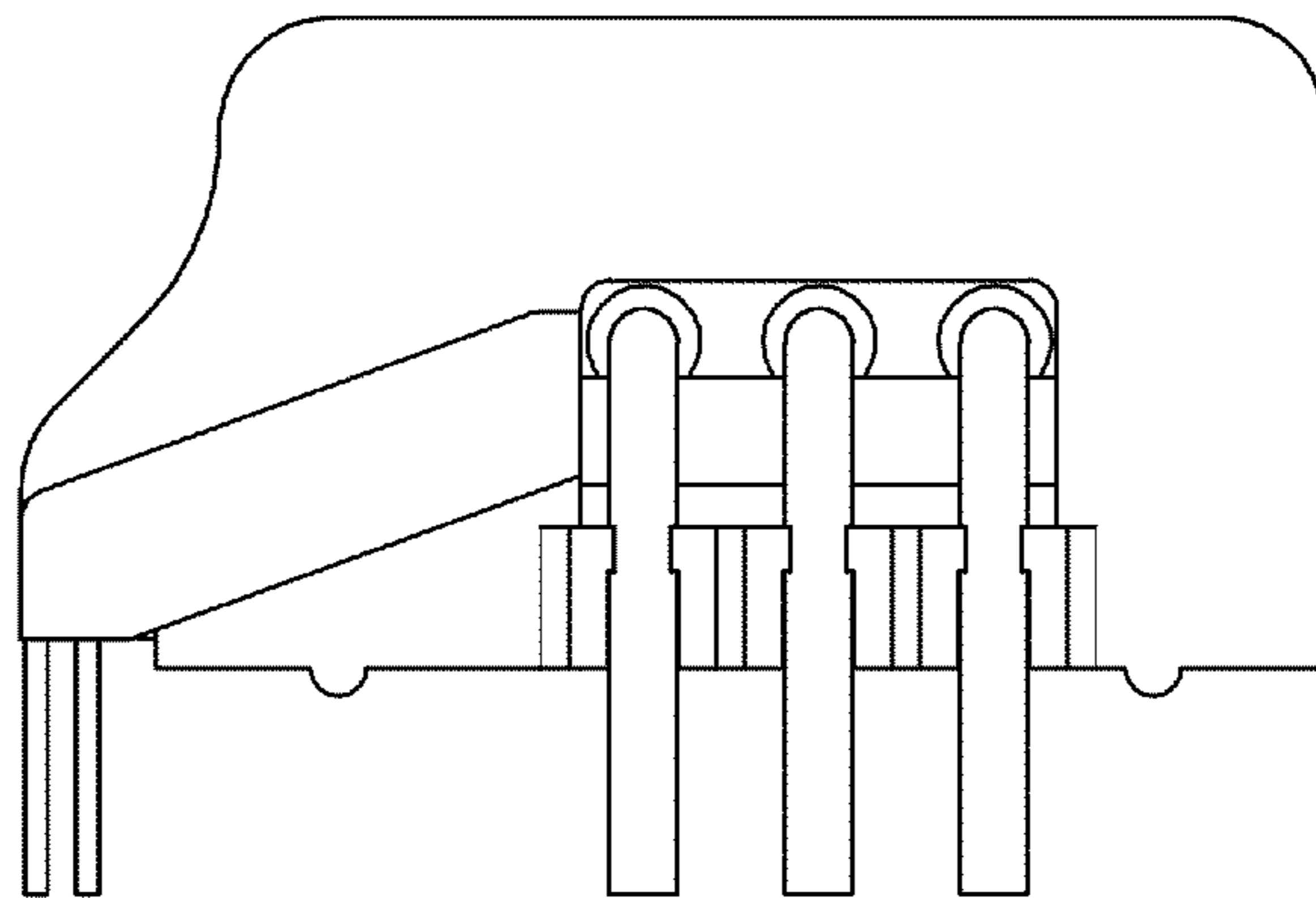


FIG. 3

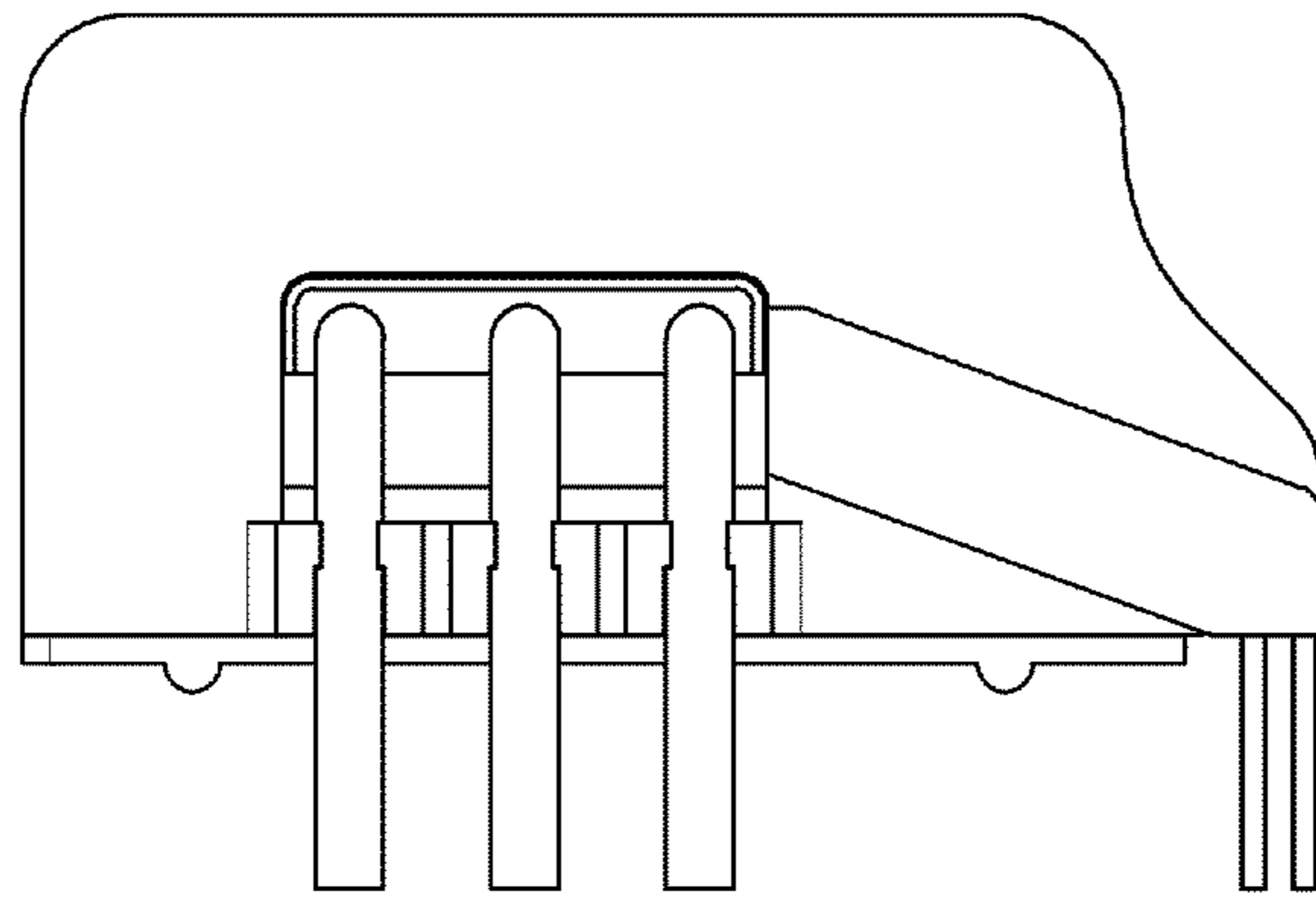


FIG. 4

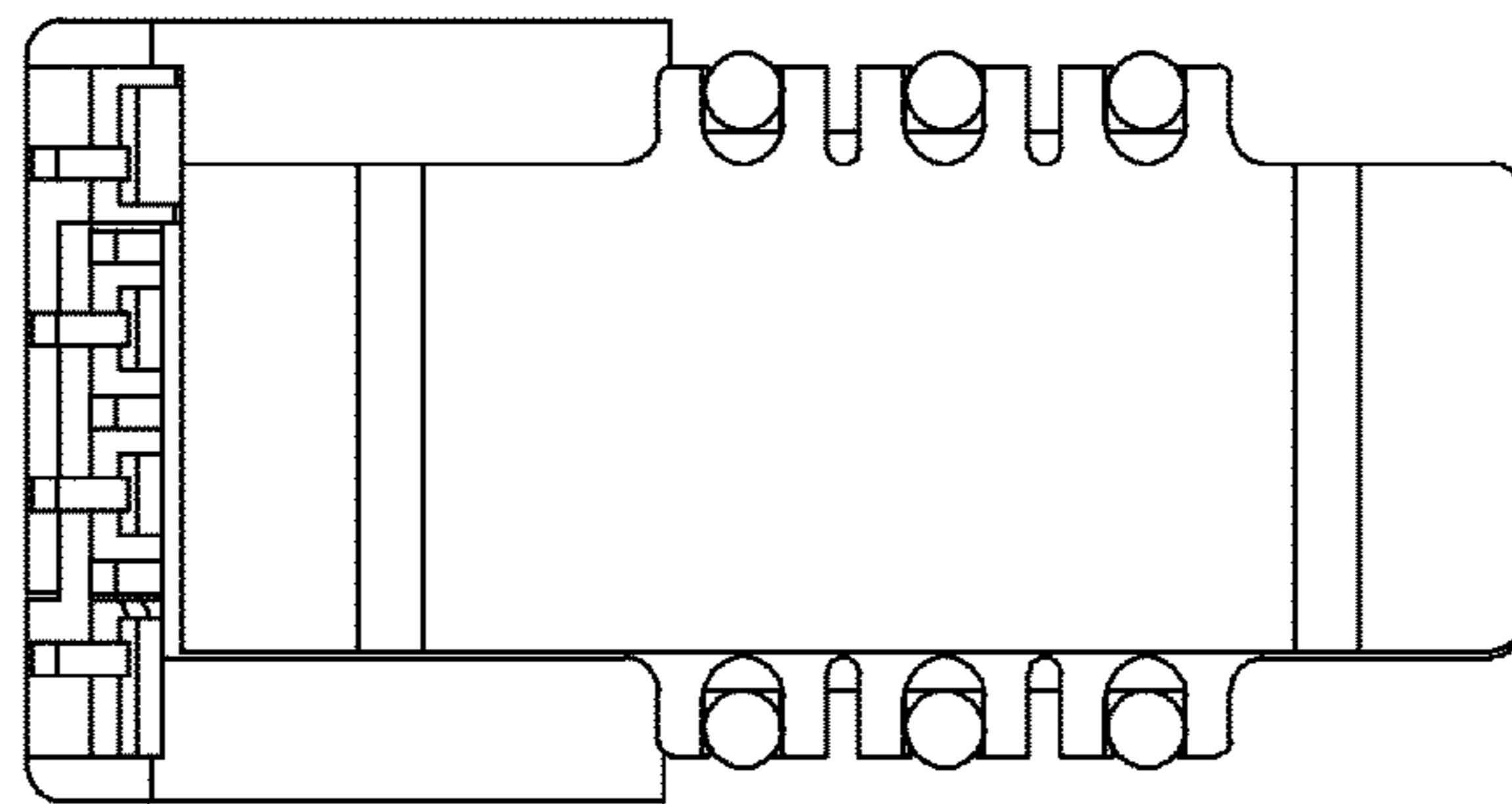


FIG. 5

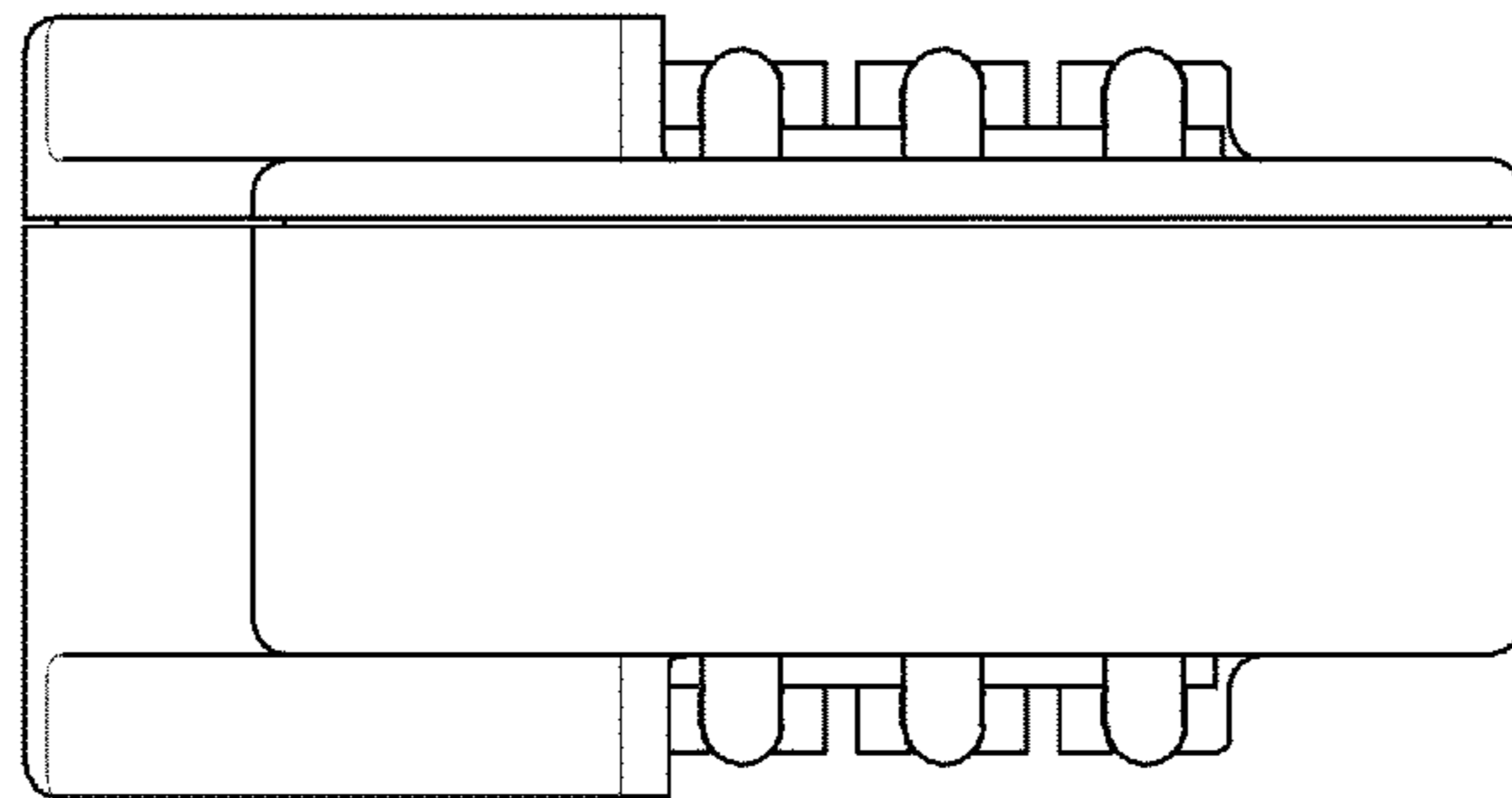
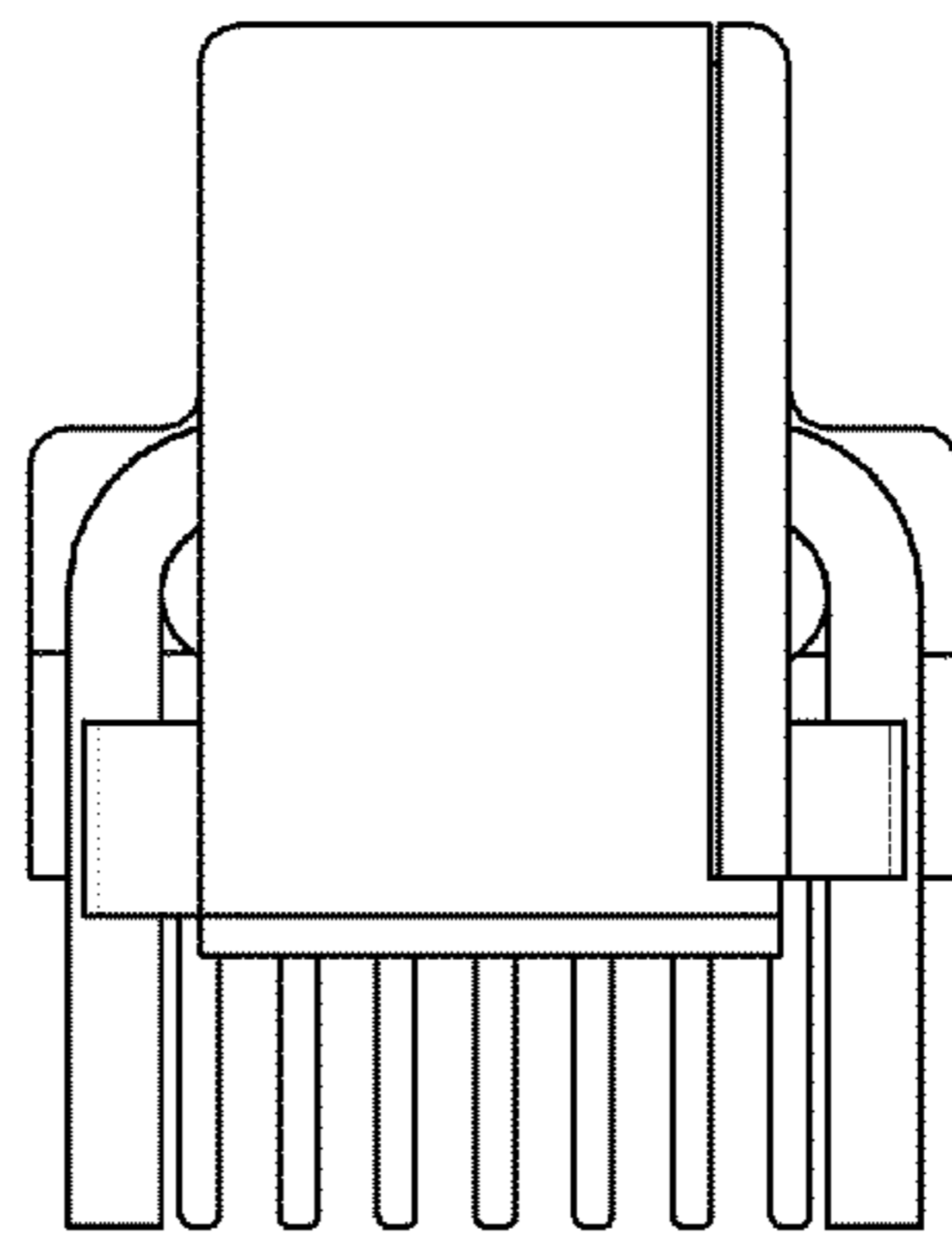


FIG. 6



**FIG. 7**



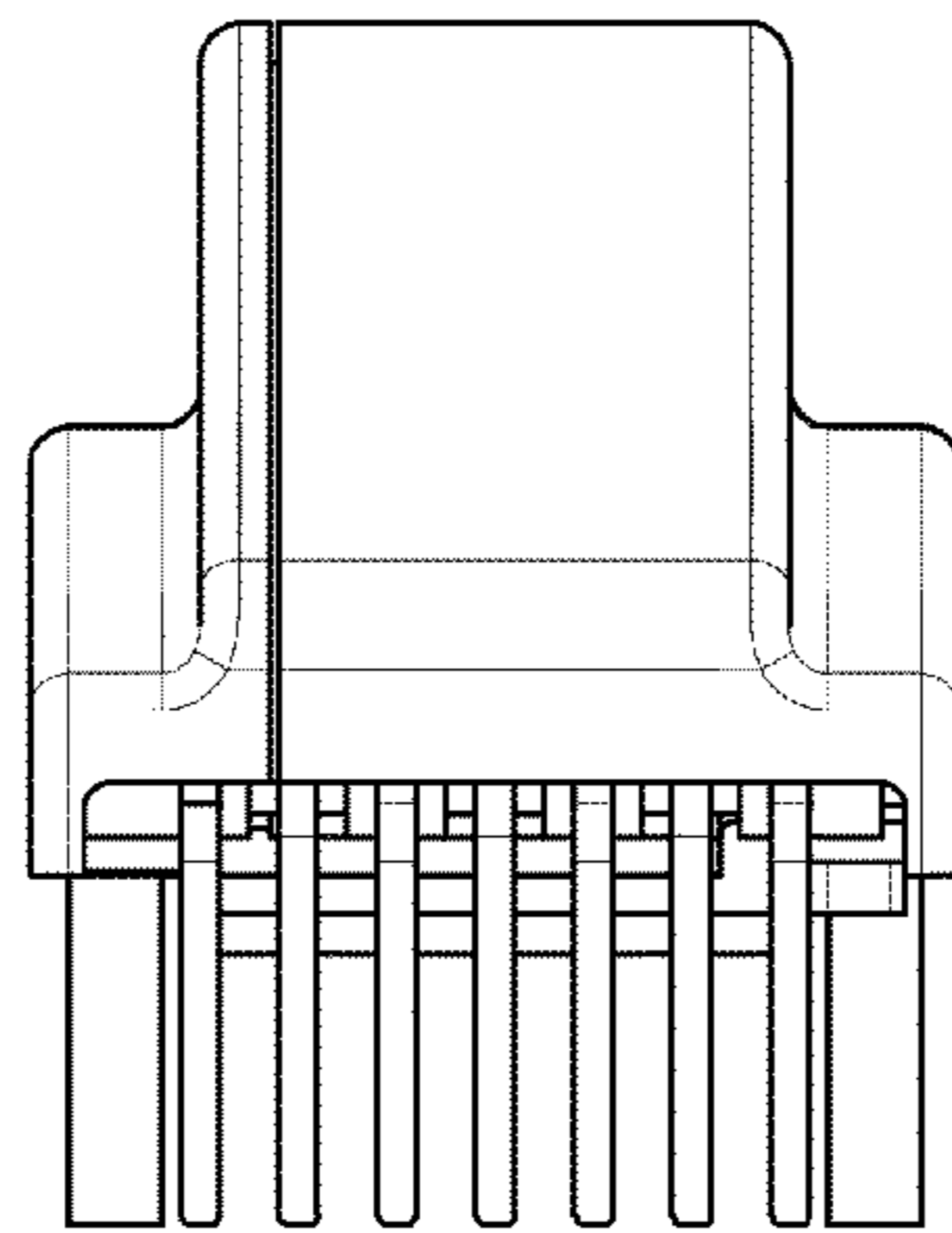


FIG. 8