



US00D685323S

(12) **United States Design Patent**
Szymanski et al.

(10) **Patent No.:** **US D685,323 S**
(45) **Date of Patent:** **** Jul. 2, 2013**

(54) **ELECTRONIC DEVICE CHARGING STAND**
(75) Inventors: **Aaron Michael Szymanski**, Mississauga (CA); **Brian Dennis Paschke**, Toronto (CA); **Di Tao**, Toronto (CA); **Ingve Holmung**, Toronto (CA)

(73) Assignee: **Research In Motion Limited**, Waterloo, Ontario (CA)

(**) Term: **14 Years**

(21) Appl. No.: **29/432,197**

(22) Filed: **Sep. 14, 2012**

(51) **LOC (9) Cl.** **13-02**

(52) **U.S. Cl.**
USPC **D13/108**

(58) **Field of Classification Search**
USPC D13/107-110, 118-119, 184, 199; D14/217, D14/251, 253, 432, 434; 320/107-115
See application file for complete search history.

(56) **References Cited**

U.S. PATENT DOCUMENTS

D308,267 S *	5/1990	Bradd	D32/31
D351,133 S *	10/1994	Jungels-Butler et al.	D13/108
D416,536 S *	11/1999	Ross et al.	D13/107
D522,963 S *	6/2006	Hayes et al.	D13/108
D543,246 S *	5/2007	Ashida et al.	D21/333
D580,856 S *	11/2008	Haspil et al.	D13/108
D610,984 S *	3/2010	Khan et al.	D13/108
D631,006 S *	1/2011	Fahrendorff	D13/108

D631,010 S *	1/2011	Smith et al.	D13/108
D631,437 S *	1/2011	Stacey	D13/118
D633,038 S *	2/2011	Fahrendorff et al.	D13/108
D640,699 S *	6/2011	McParland	D14/434
D669,851 S *	10/2012	Ikegame	D13/108

* cited by examiner

Primary Examiner — Rosemary K Tarcza

(57) **CLAIM**

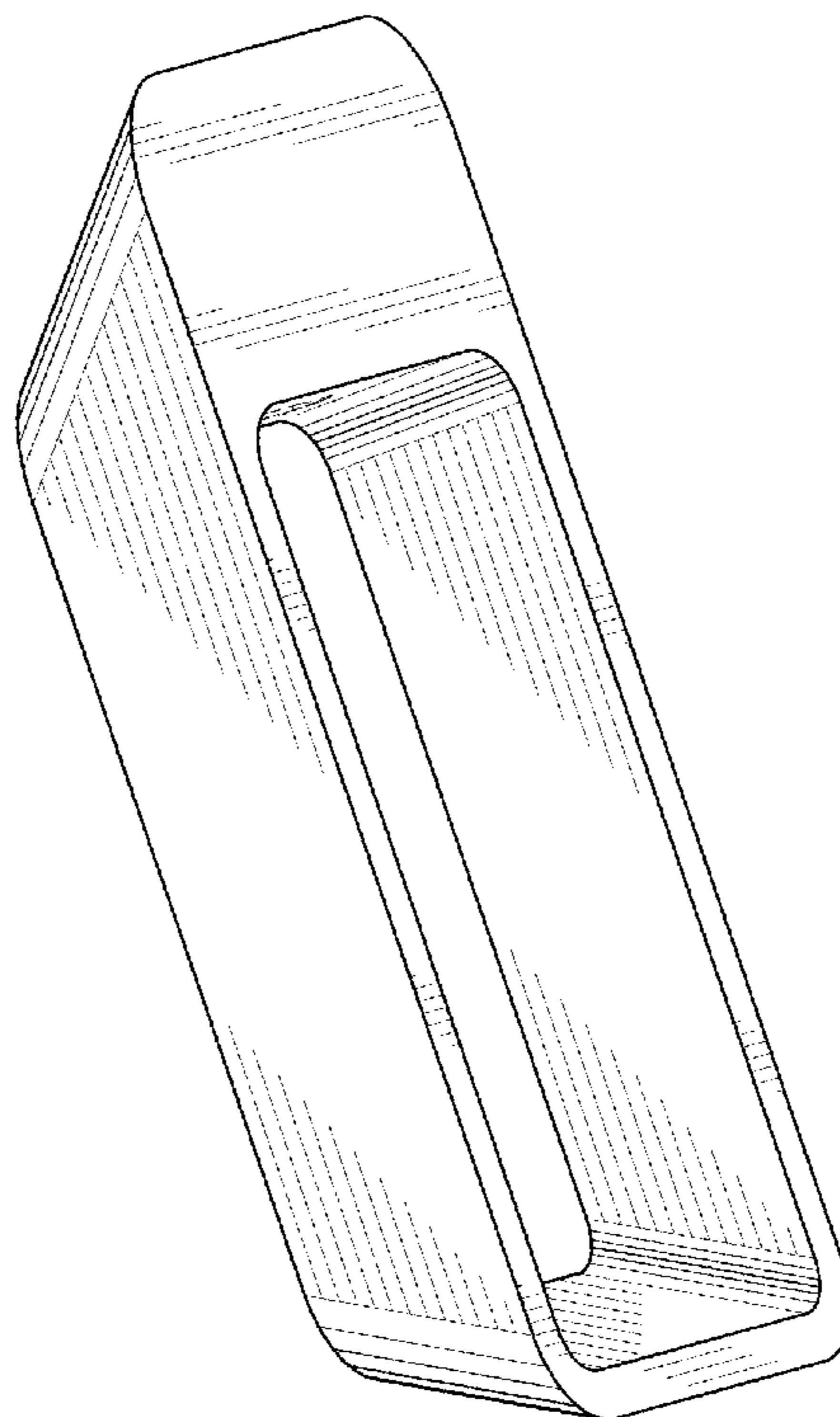
We claim the ornamental design for an electronic device charging stand, as shown and described.

DESCRIPTION

FIG. 1 is a front perspective view of an electronic device charging stand;
FIG. 2 is a back perspective view of the electronic device charging stand;
FIG. 3 is a front elevation view thereof;
FIG. 4 is a back elevation view thereof;
FIG. 5 is a right elevation view thereof;
FIG. 6 is a left elevation view thereof;
FIG. 7 is a top plan view thereof;
FIG. 8 is a bottom plan view thereof; and,
FIG. 9 is a front perspective view of an alternate embodiment thereof.

The broken lines shown in the drawings of the electronic device charging stand are for the purpose of illustrating portions of the article; the broken lines form no part of the claimed design.

1 Claim, 8 Drawing Sheets



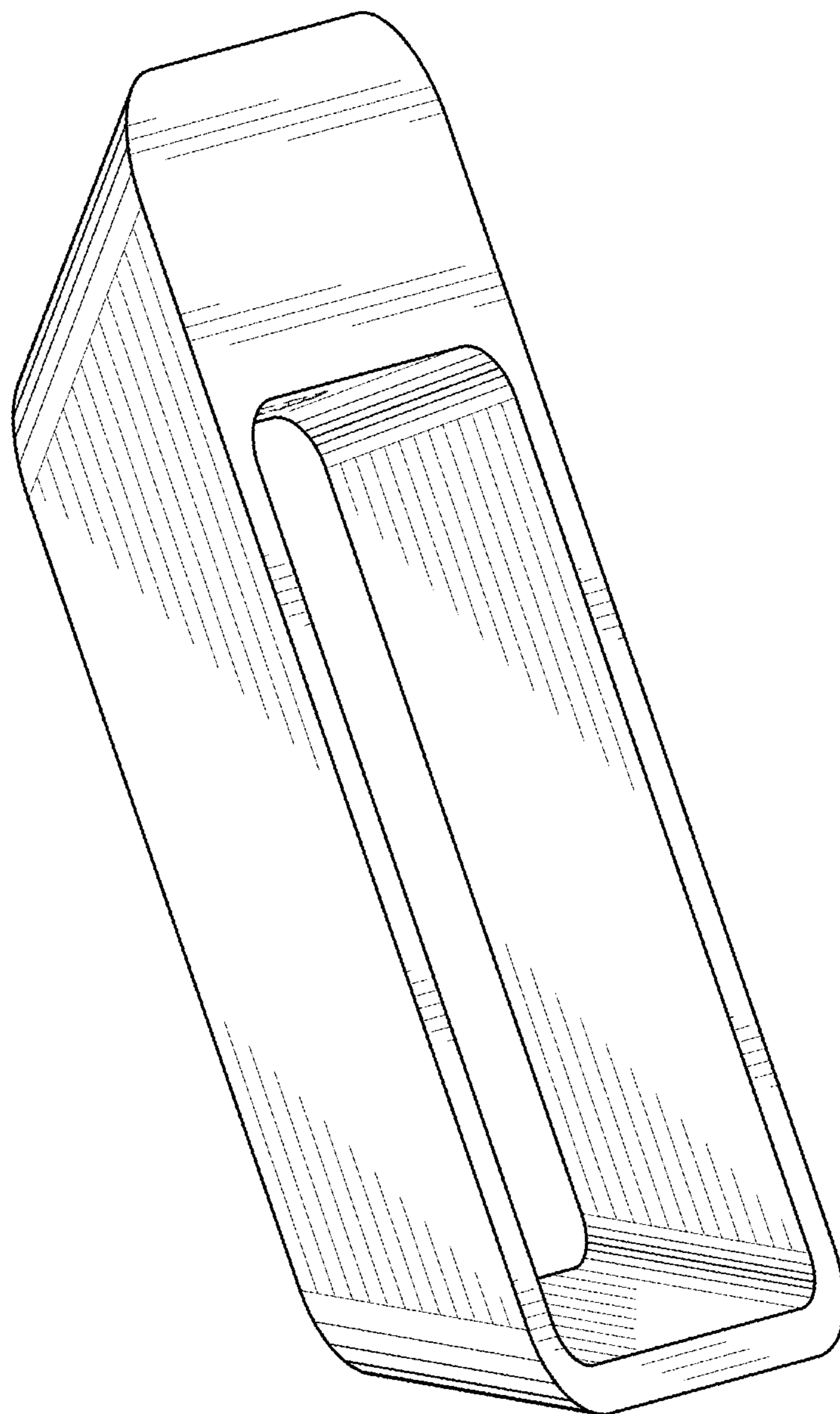


FIG. 1

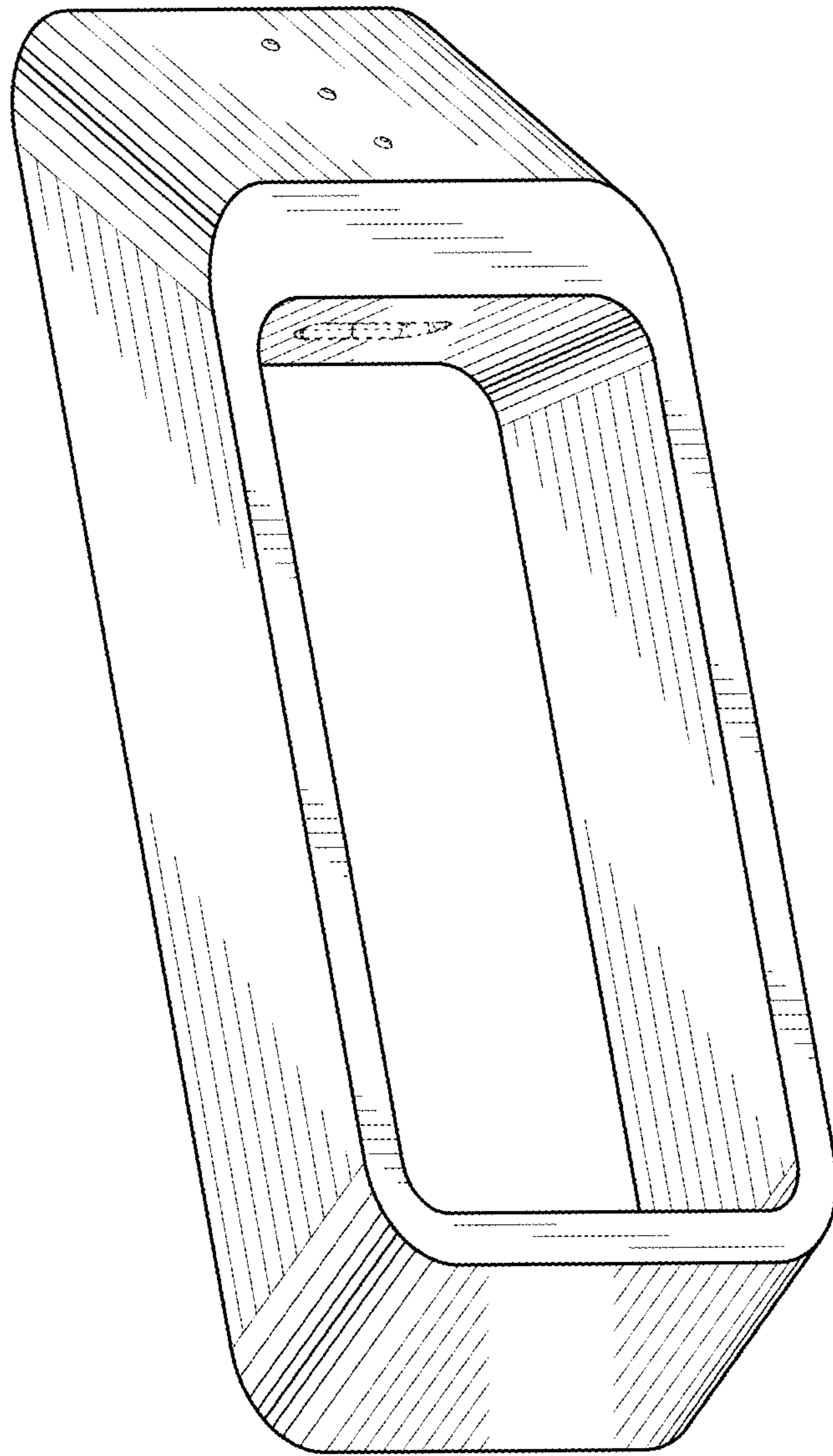


FIG.2

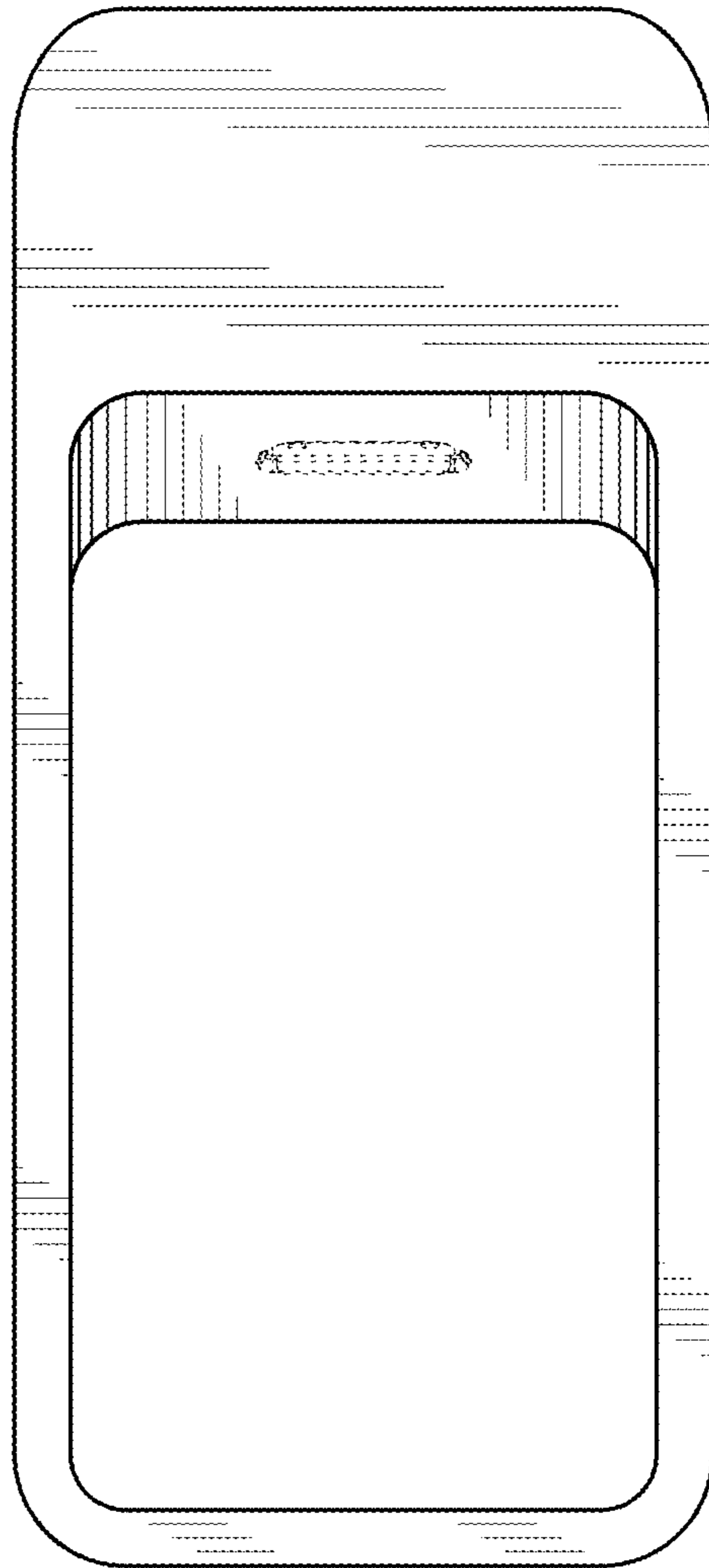


FIG.3

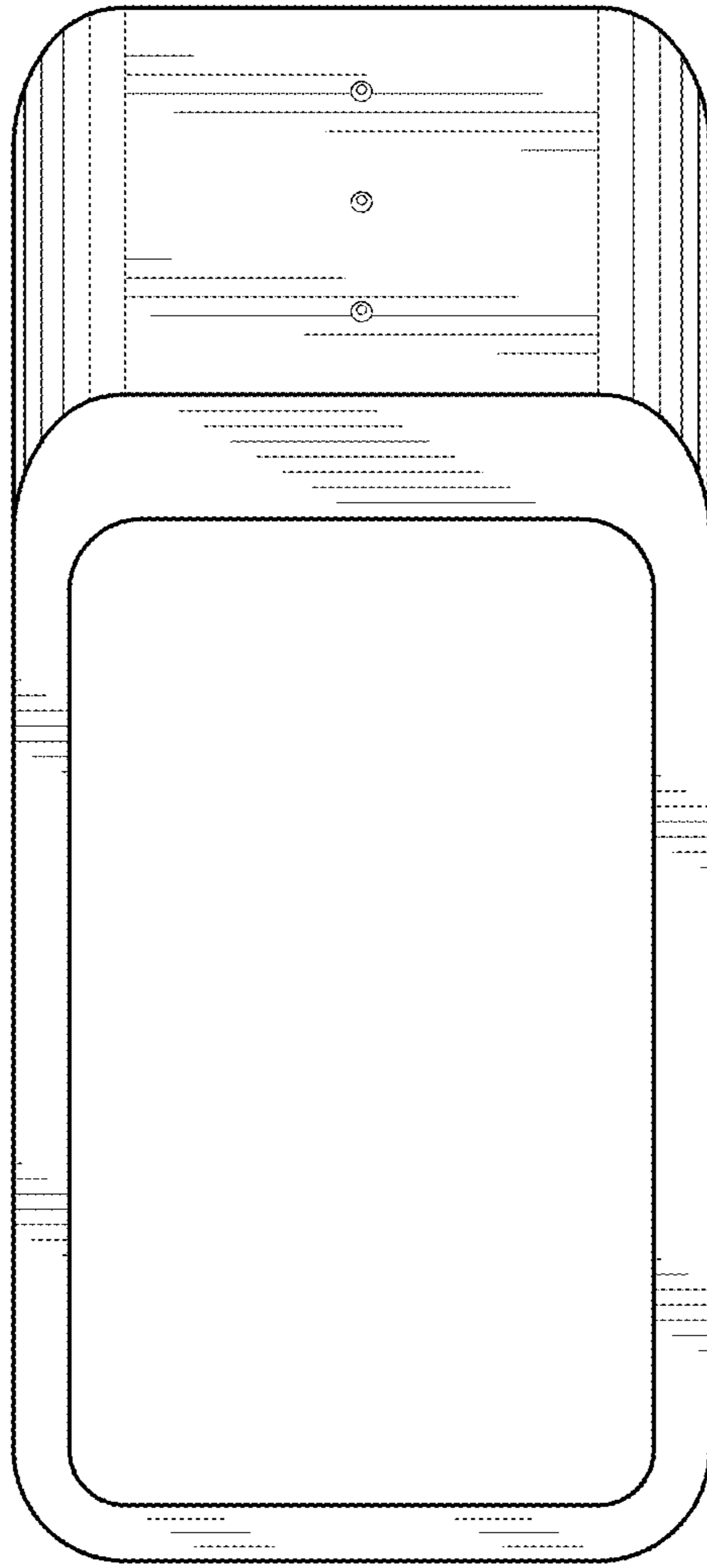


FIG.4

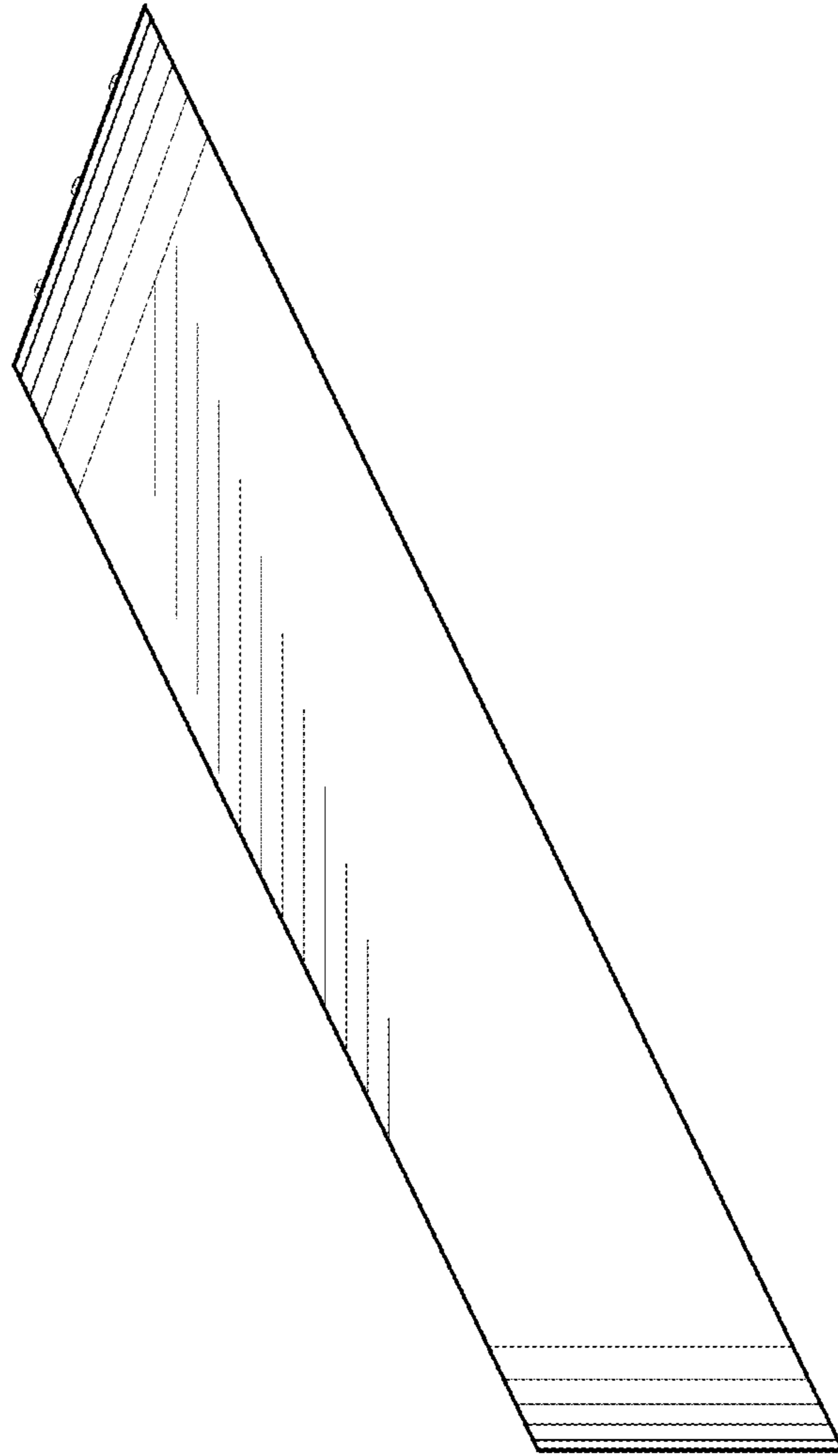


FIG.5

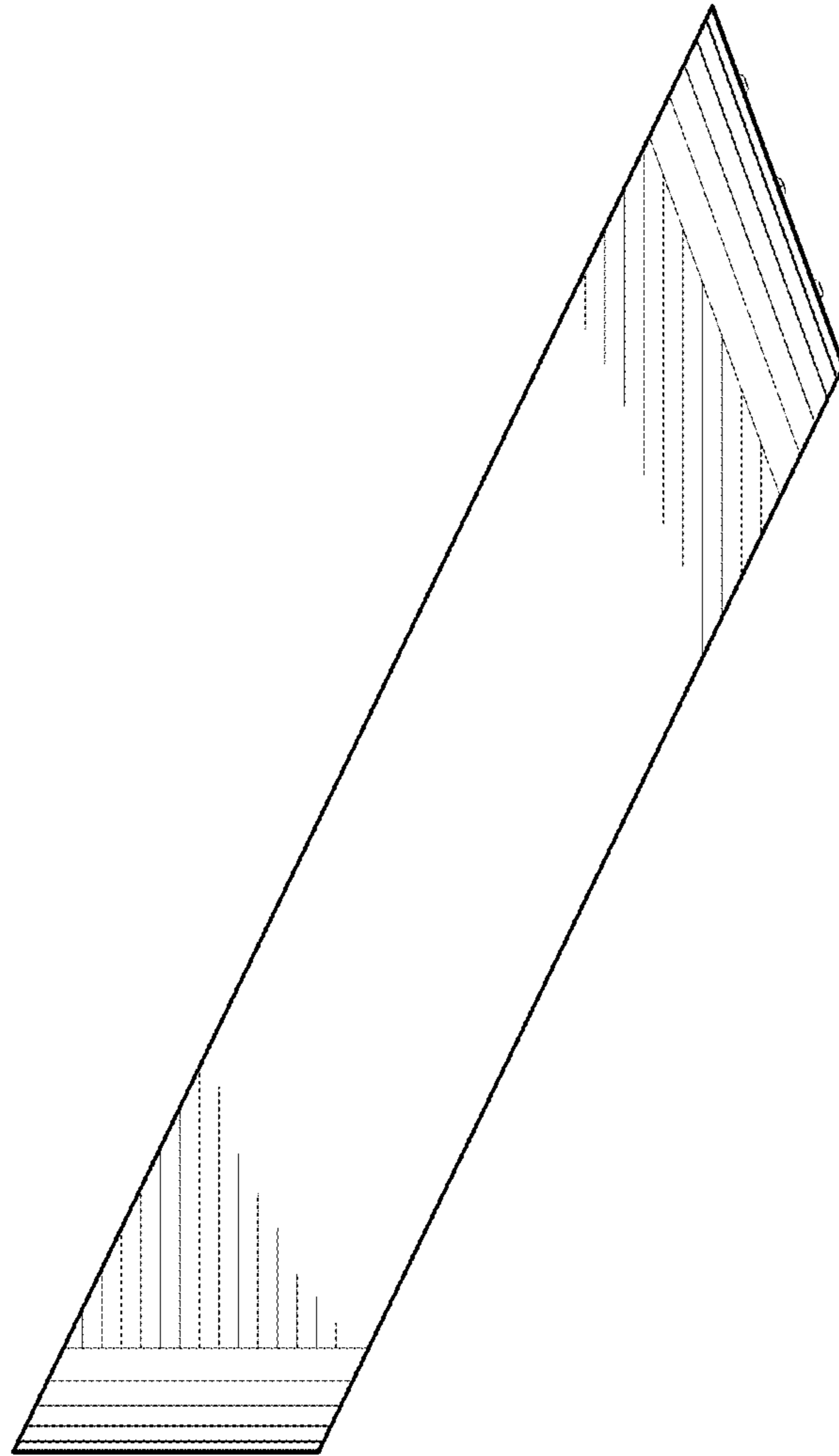


FIG.6

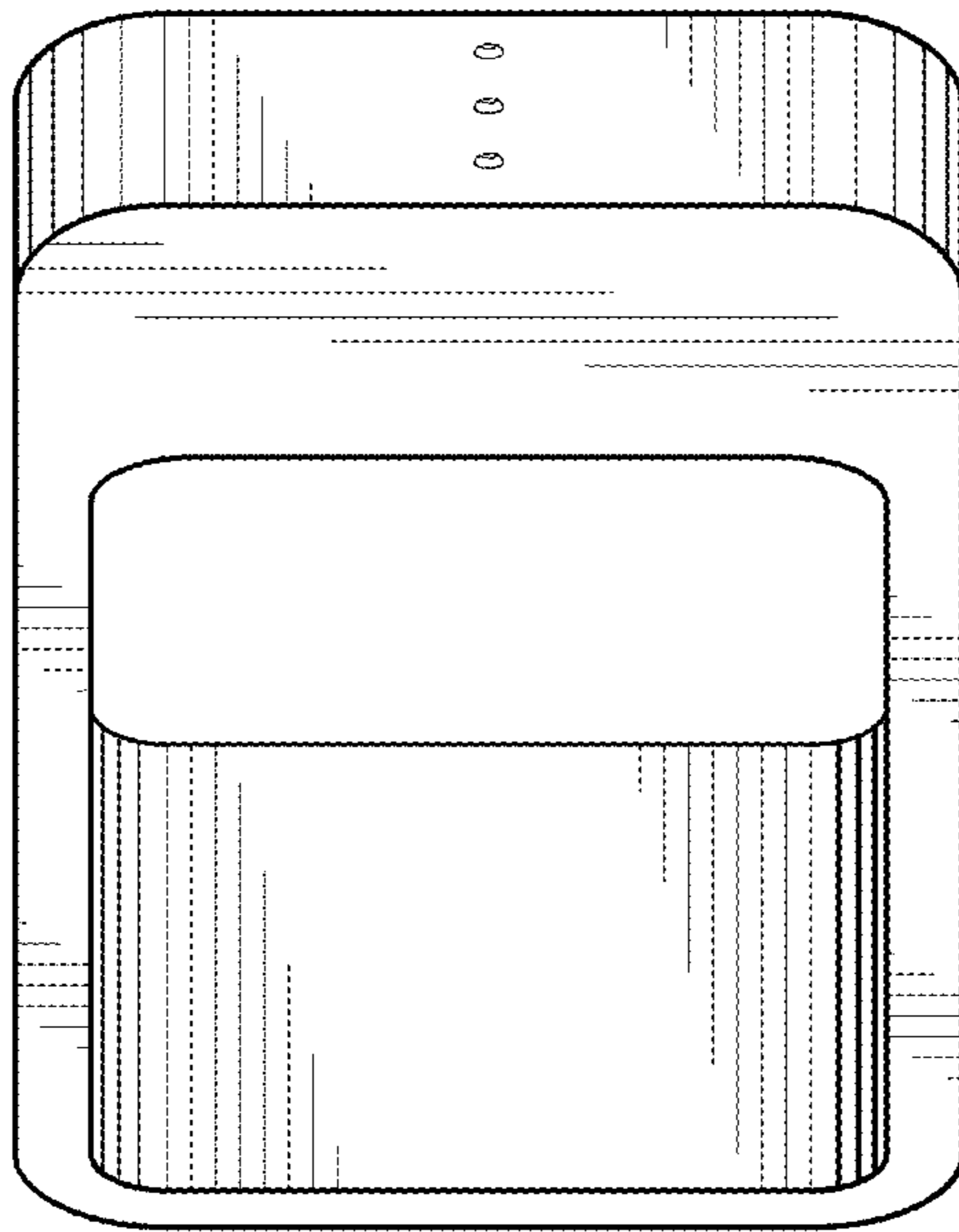


FIG. 7

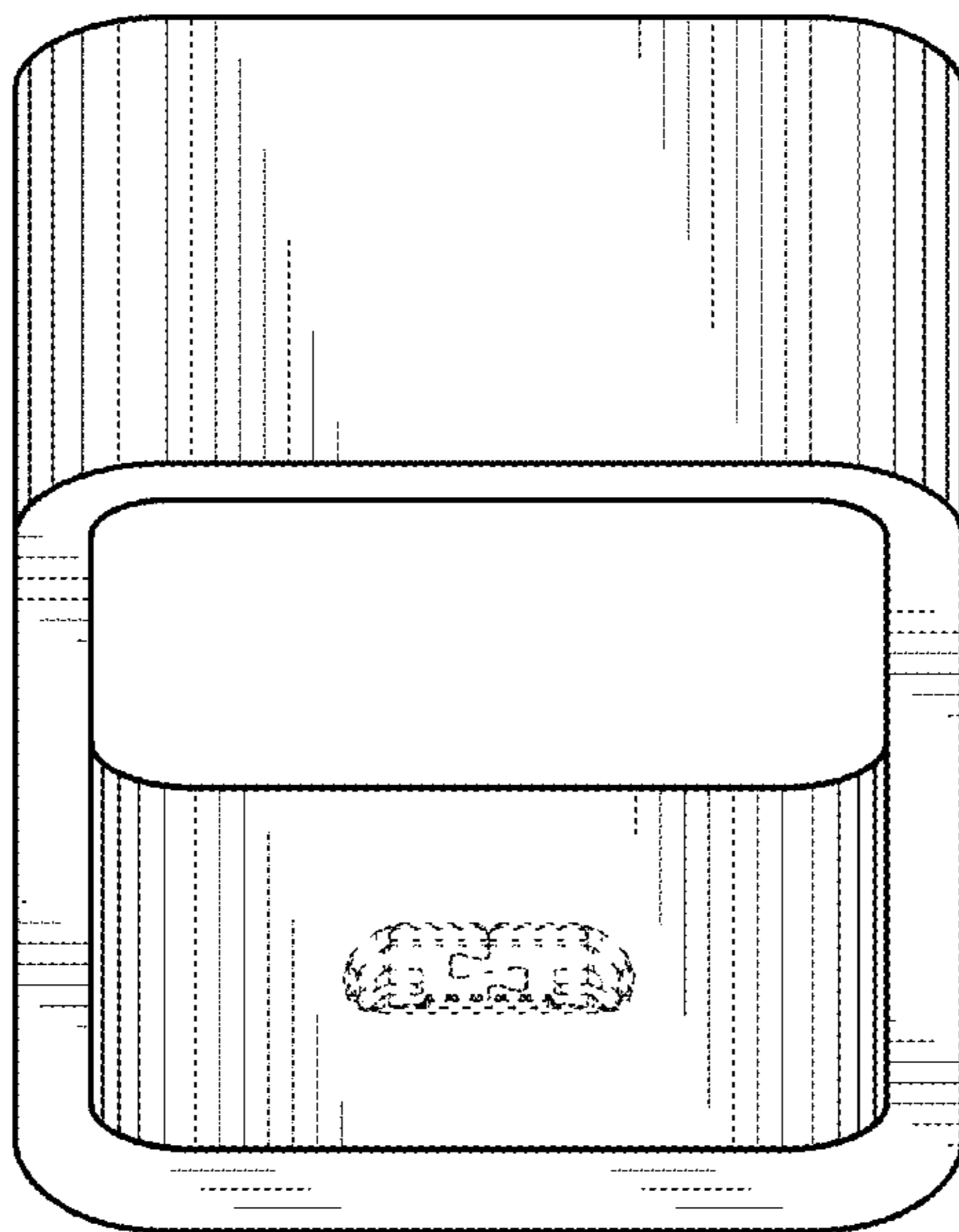


FIG. 8

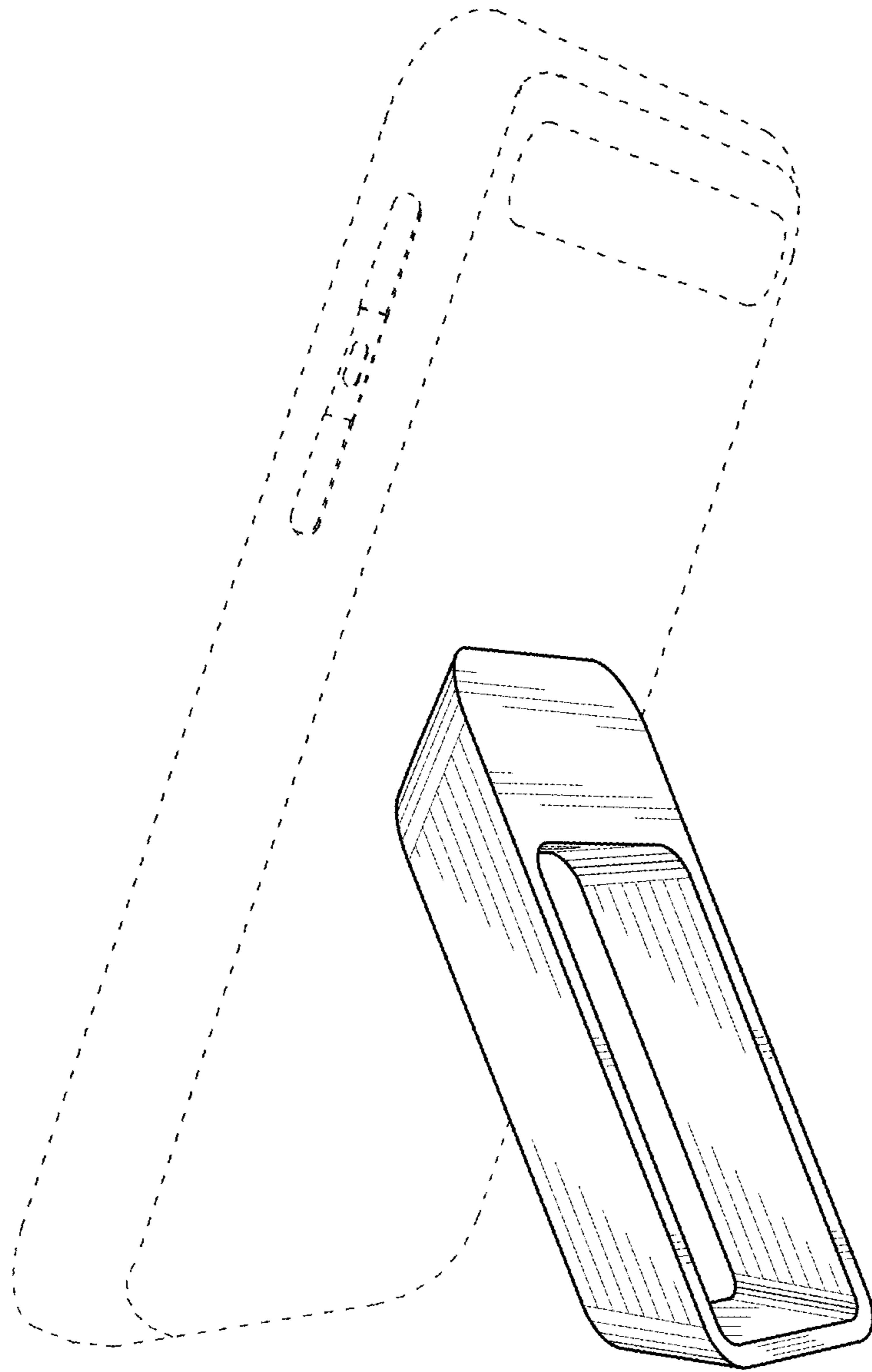


FIG.9