



US00D685321S

(12) **United States Design Patent**
Smith et al.

(10) **Patent No.:** **US D685,321 S**
(45) **Date of Patent:** **** Jul. 2, 2013**

(54) **ELECTRONIC DEVICE DOCK**

(75) Inventors: **Dustin Jonathan Smith**, Kitchener (CA); **Anders Fahrendorff**, Ottawa (CA); **Todd Andrew Wood**, Toronto (CA); **Ryan James Rutter**, Kitchener (CA)

(73) Assignee: **Research In Motion Limited**, Waterloo, Ontario (CA)

(**) Term: **14 Years**

(21) Appl. No.: **29/413,337**

(22) Filed: **Feb. 14, 2012**

(51) **LOC (9) Cl.** **13-02**

(52) **U.S. Cl.**
USPC **D13/108**

(58) **Field of Classification Search**
USPC D13/107-110, 118-119, 184, 199; D14/217, D14/251, 253, 432, 434; 320/107-115
See application file for complete search history.

(56) **References Cited**

U.S. PATENT DOCUMENTS

D351,133 S *	10/1994	Jungels-Butler et al.	D13/108
D580,856 S *	11/2008	Haspil et al.	D13/108
D630,579 S *	1/2011	Fahrendorff et al.	D13/108
D631,008 S *	1/2011	Kuroda et al.	D13/108
D633,038 S *	2/2011	Fahrendorff et al.	D13/108

D638,831 S *	5/2011	Paradise	D14/253
D640,699 S *	6/2011	McParland	D14/434
D642,979 S *	8/2011	Chun et al.	D13/108
D648,339 S *	11/2011	O'Neil et al.	D14/434
D662,470 S *	6/2012	Smith et al.	D13/108
D669,460 S *	10/2012	Wikel	D14/253
D669,851 S *	10/2012	Ikegame	D13/108
D670,283 S *	11/2012	Wikel	D14/253

* cited by examiner

Primary Examiner — Rosemary K Tarcza

(57) **CLAIM**

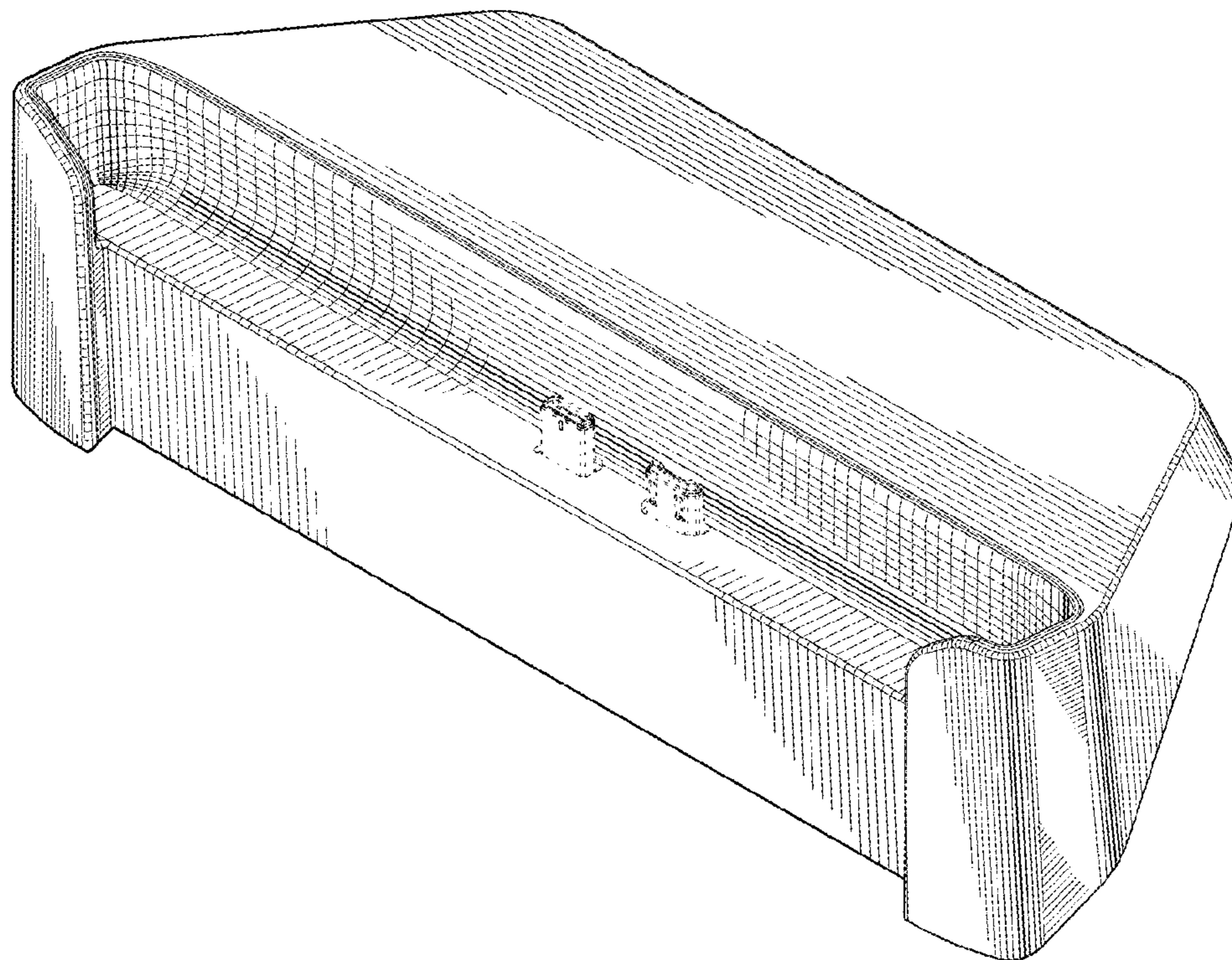
We claim the ornamental design for an electronic device dock, as shown and described.

DESCRIPTION

FIG. 1 is a front perspective view of an electronic device dock;
FIG. 2 is a back top perspective view of the electronic device dock;
FIG. 3 is a back bottom perspective view thereof;
FIG. 4 is a front elevational view thereof;
FIG. 5 is a back elevational view thereof;
FIG. 6 is a right elevational view thereof;
FIG. 7 is a left elevational view thereof;
FIG. 8 is a top plan view thereof; and,
FIG. 9 is a bottom plan view thereof.

The broken lines shown in the drawings of the electronic device dock are for the purpose of illustrating portions of the article and form no part of the claimed design.

1 Claim, 6 Drawing Sheets



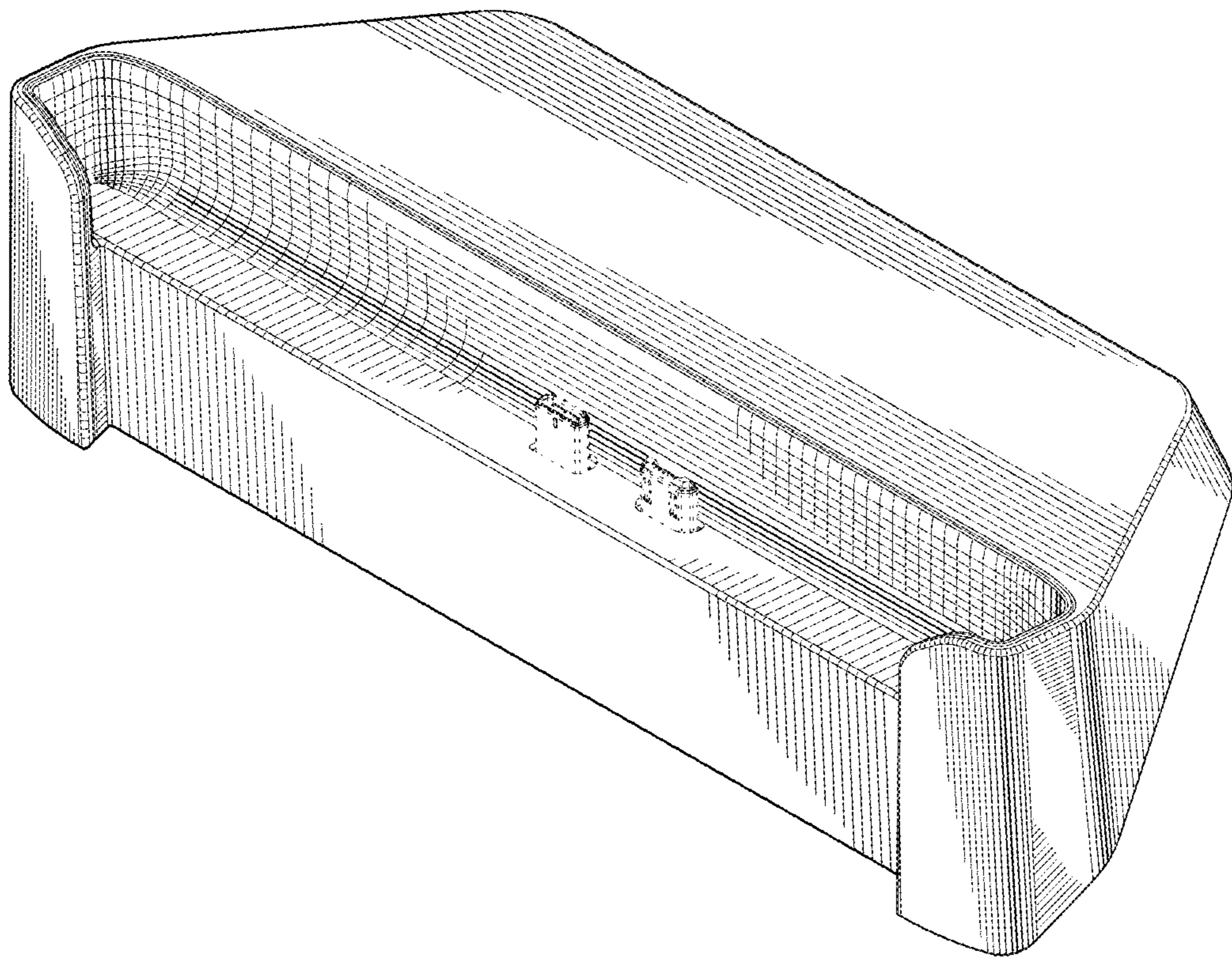


FIG.1

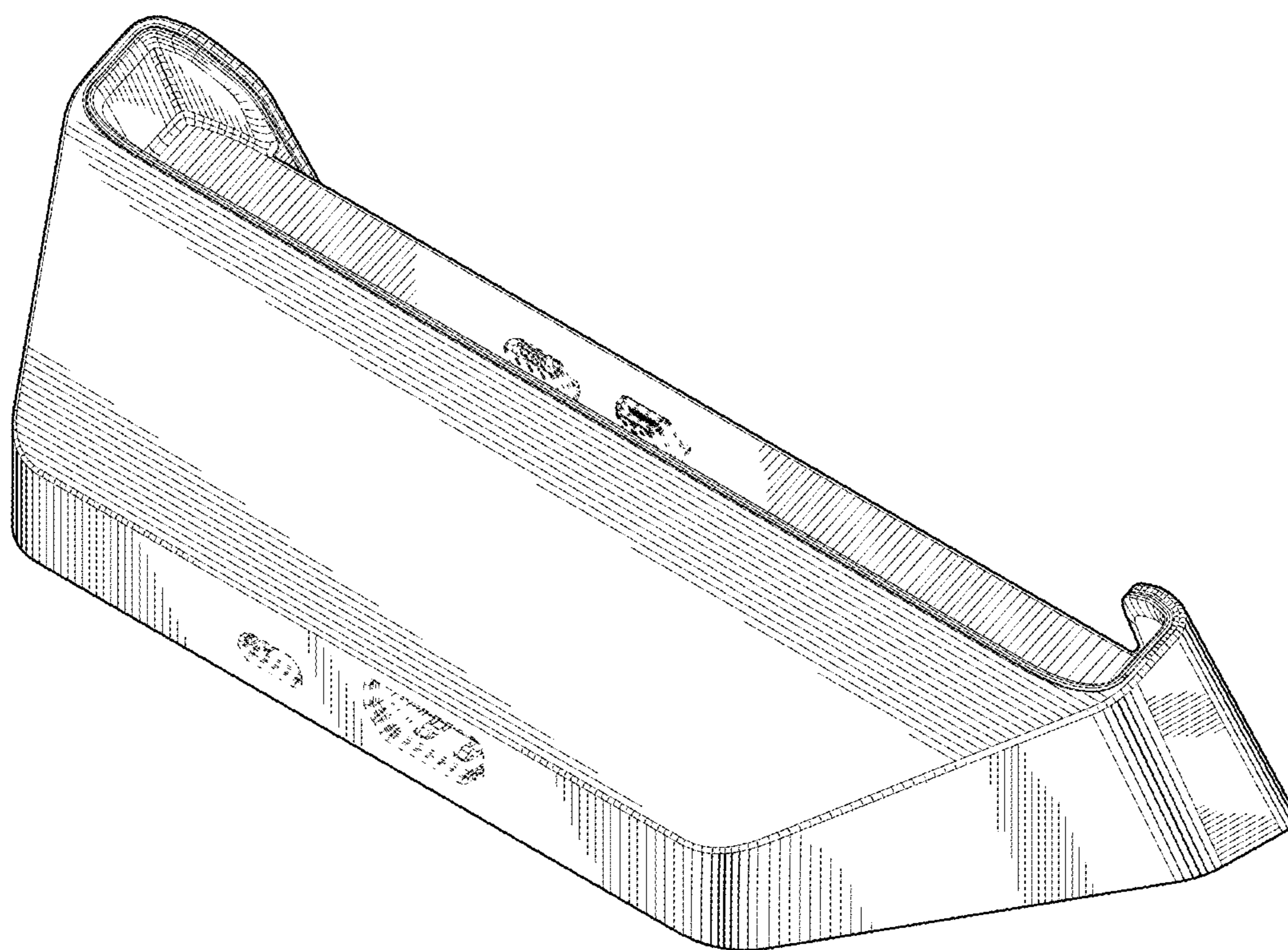


FIG.2

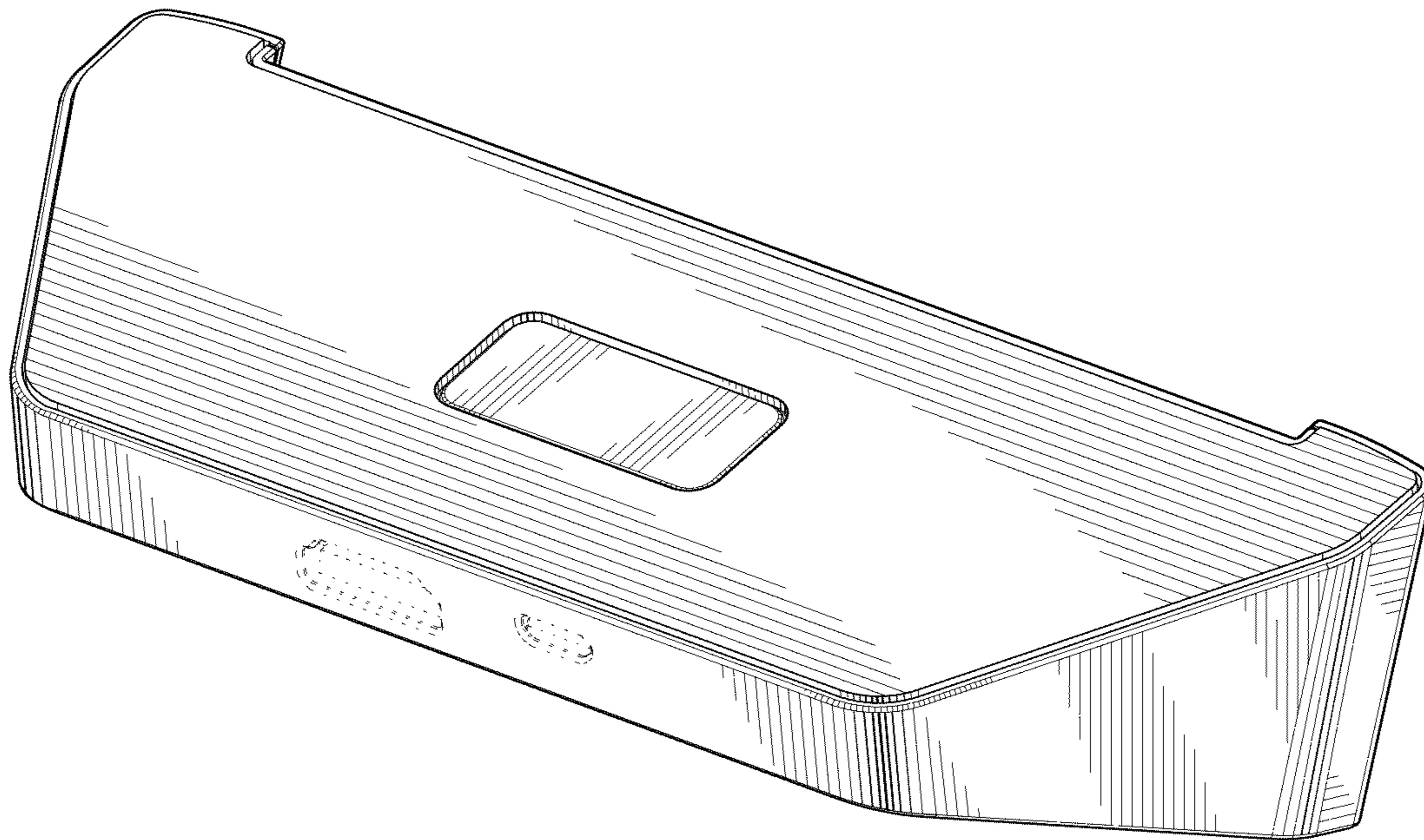


FIG.3

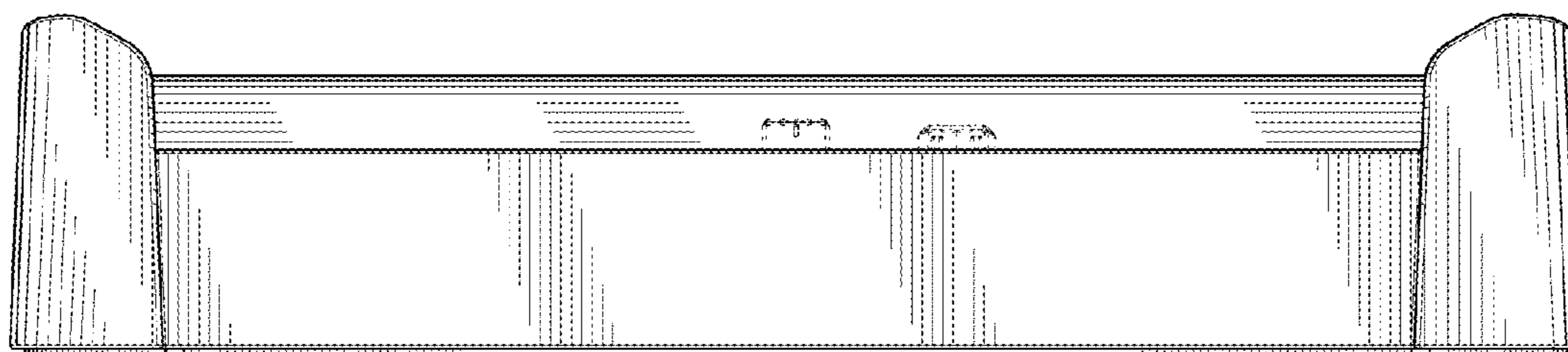


FIG.4

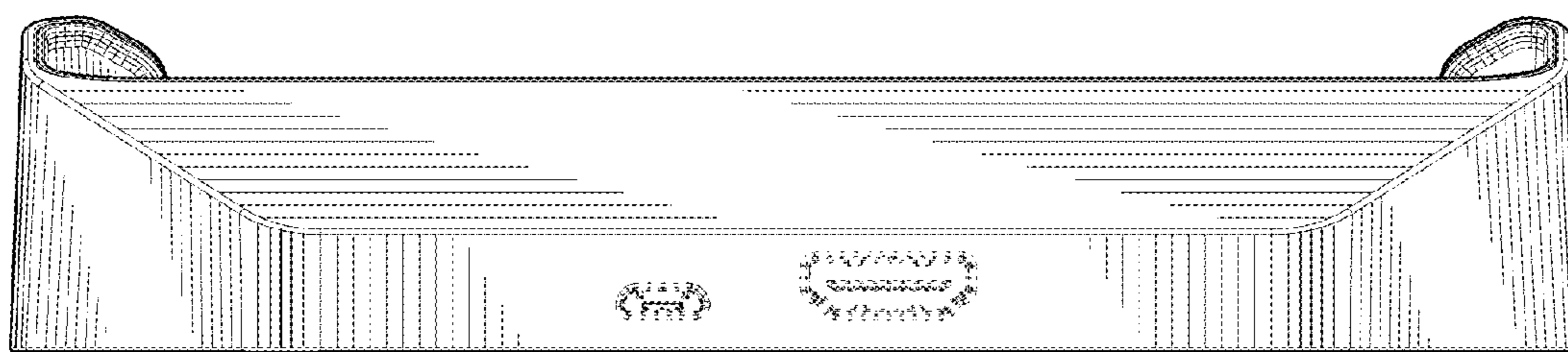


FIG.5

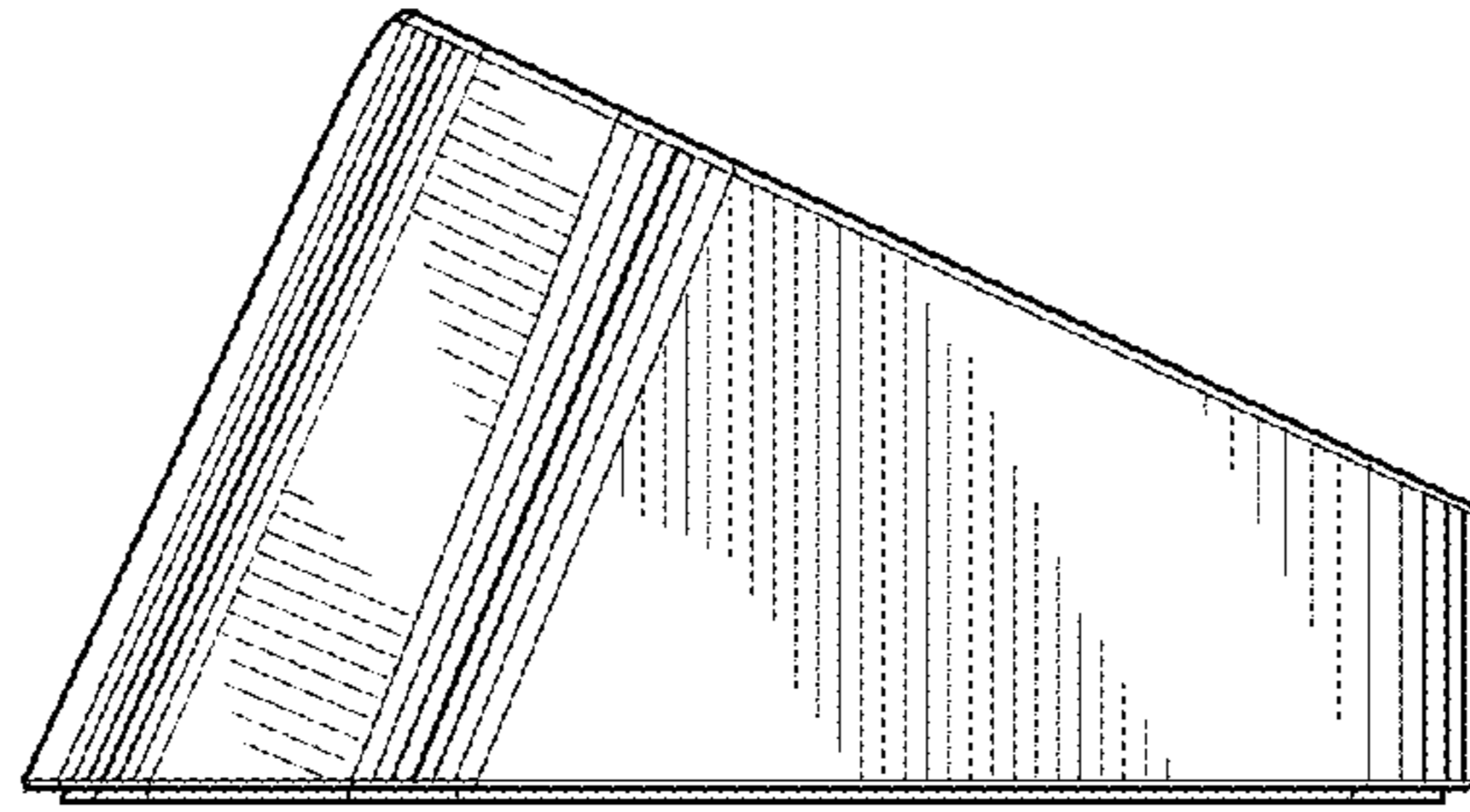


FIG. 6

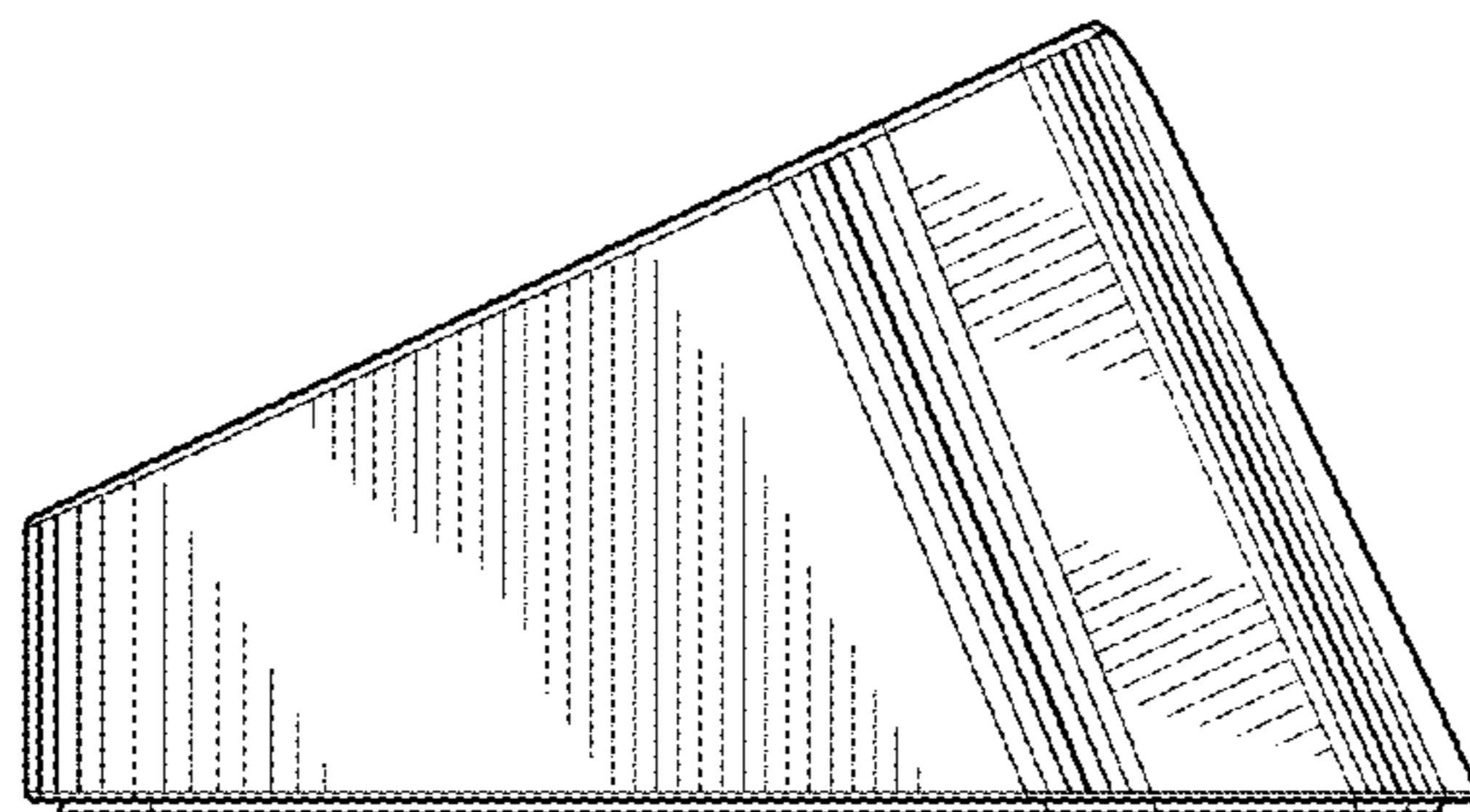


FIG. 7

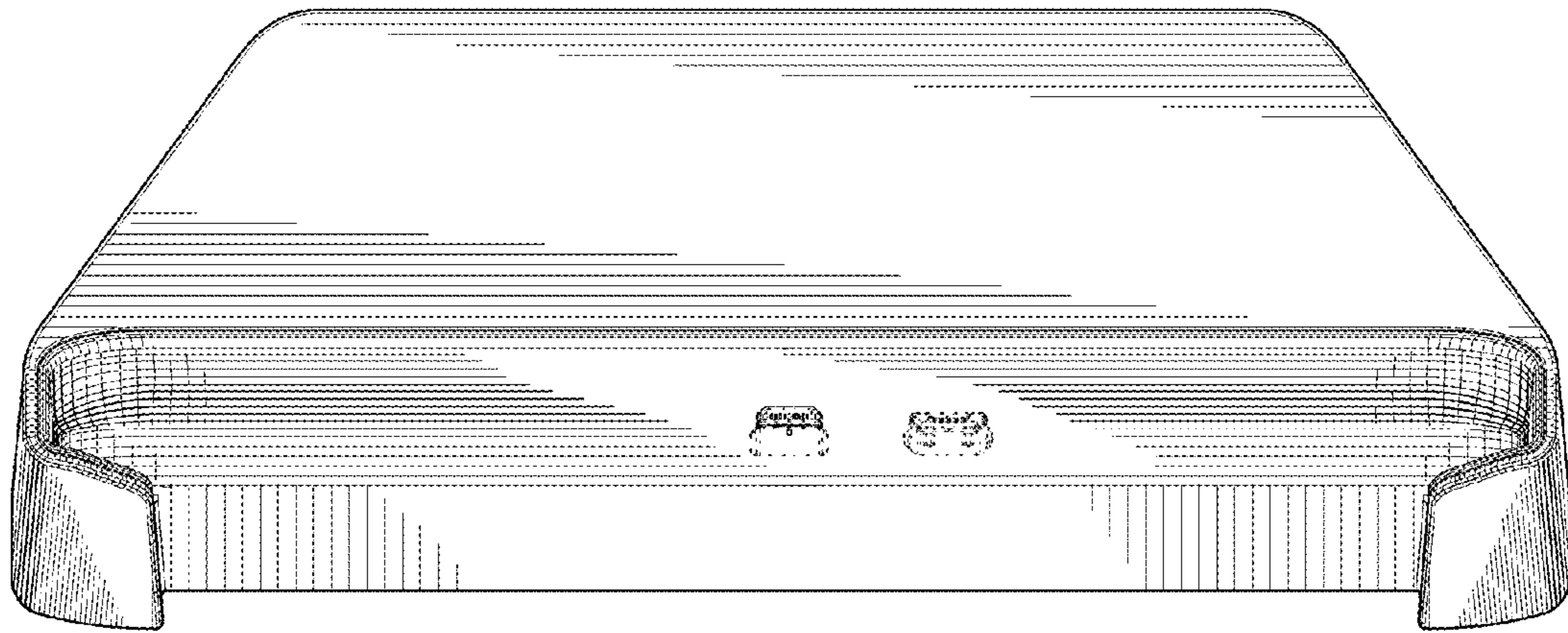


FIG. 8

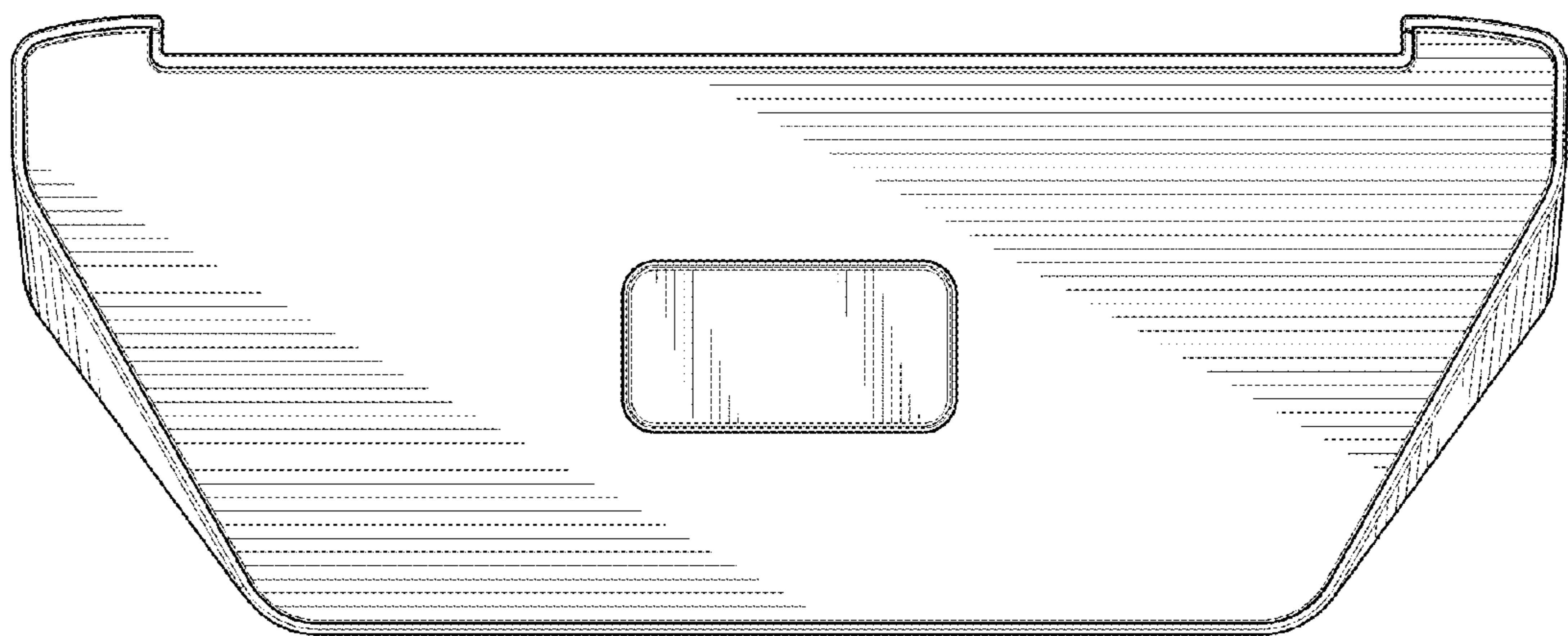


FIG. 9