



US00D685320S

(12) **United States Design Patent**  
**Murchison et al.**

(10) **Patent No.:** **US D685,320 S**  
(45) **Date of Patent:** **\*\* Jul. 2, 2013**

(54) **BATTERY CHARGER**

(71) Applicant: **Research In Motion Limited**, Waterloo (CA)

(72) Inventors: **Ian James Murchison**, Toronto (CA);  
**Anders Fahrendorff**, Ottawa (CA);  
**Rohan Siddhartha Thakar**, Ottawa (CA)

(73) Assignee: **Research In Motion Limited**, Waterloo, Ontario (CA)

(\*) Notice: This patent is subject to a terminal disclaimer.

(\*\*) Term: **14 Years**

(21) Appl. No.: **29/435,360**

(22) Filed: **Oct. 23, 2012**

(51) **LOC (9) Cl.** ..... **13-02**

(52) **U.S. Cl.**  
USPC ..... **D13/107**

(58) **Field of Classification Search**  
USPC D13/107-110, 118-119, 184, 199; D14/251,  
D14/253, 432, 434; 320/107-115  
See application file for complete search history.

(56) **References Cited**

U.S. PATENT DOCUMENTS

D331,573 S \* 12/1992 Iino ..... D14/434  
D360,413 S \* 7/1995 Kawazoe et al. .... D14/125

D368,429 S \* 4/1996 Serio, Jr. .... D9/431  
D483,725 S \* 12/2003 Thompson et al. .... D13/184  
D565,571 S \* 4/2008 Trifilio et al. .... D14/434  
D612,329 S \* 3/2010 Guccione et al. .... D13/108  
D631,051 S \* 1/2011 DeFronzo ..... D14/434  
D639,736 S \* 6/2011 Su ..... D13/110  
D657,308 S \* 4/2012 Fahrendorff et al. .... D13/107  
D661,248 S \* 6/2012 Fahrendorff et al. .... D13/107  
D661,249 S \* 6/2012 Smith et al. .... D13/110  
D662,878 S \* 7/2012 Fahrendorff et al. .... D13/107  
D666,148 S \* 8/2012 Inaba ..... D13/119

\* cited by examiner

*Primary Examiner* — Rosemary K Tarcza

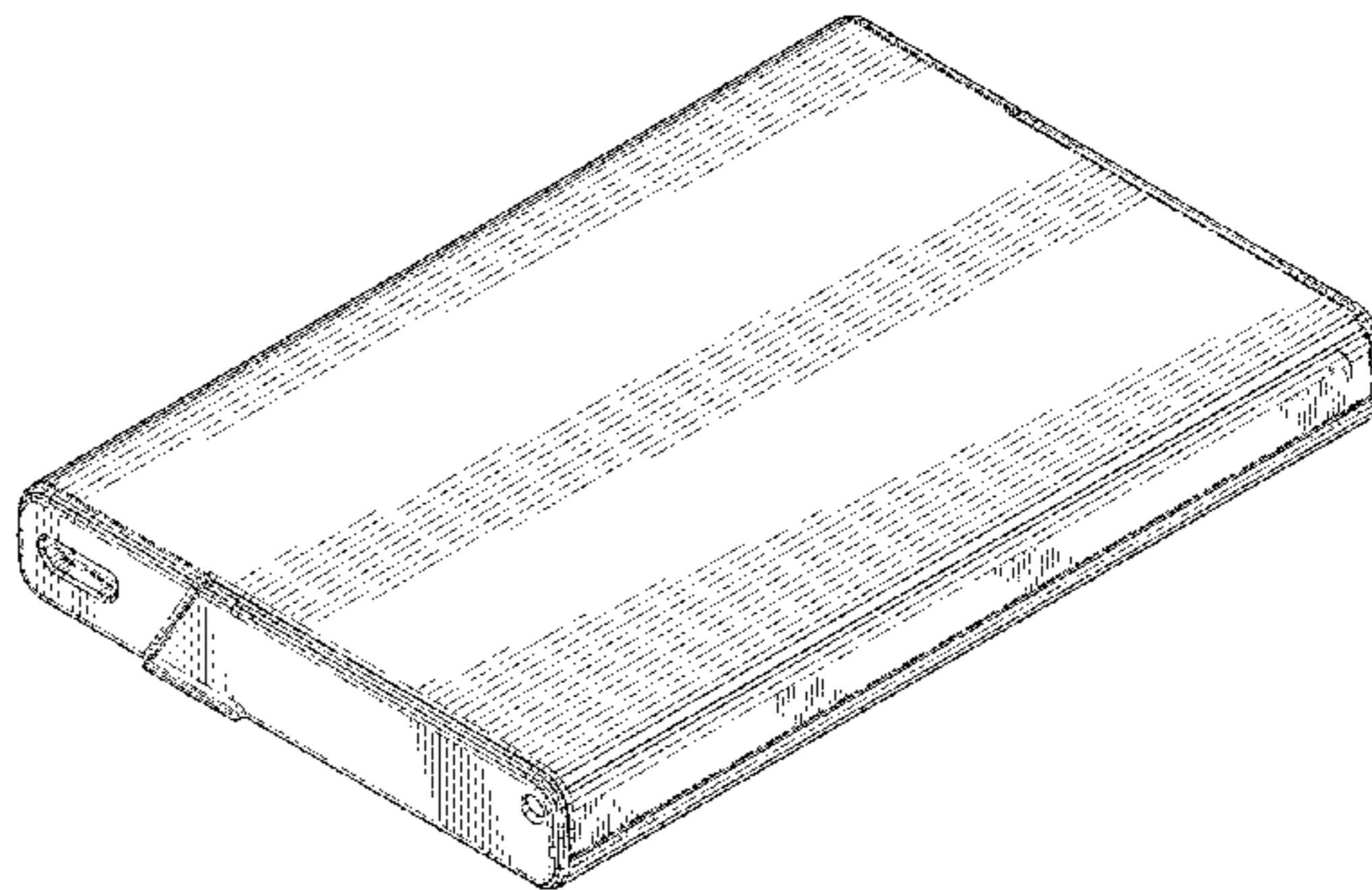
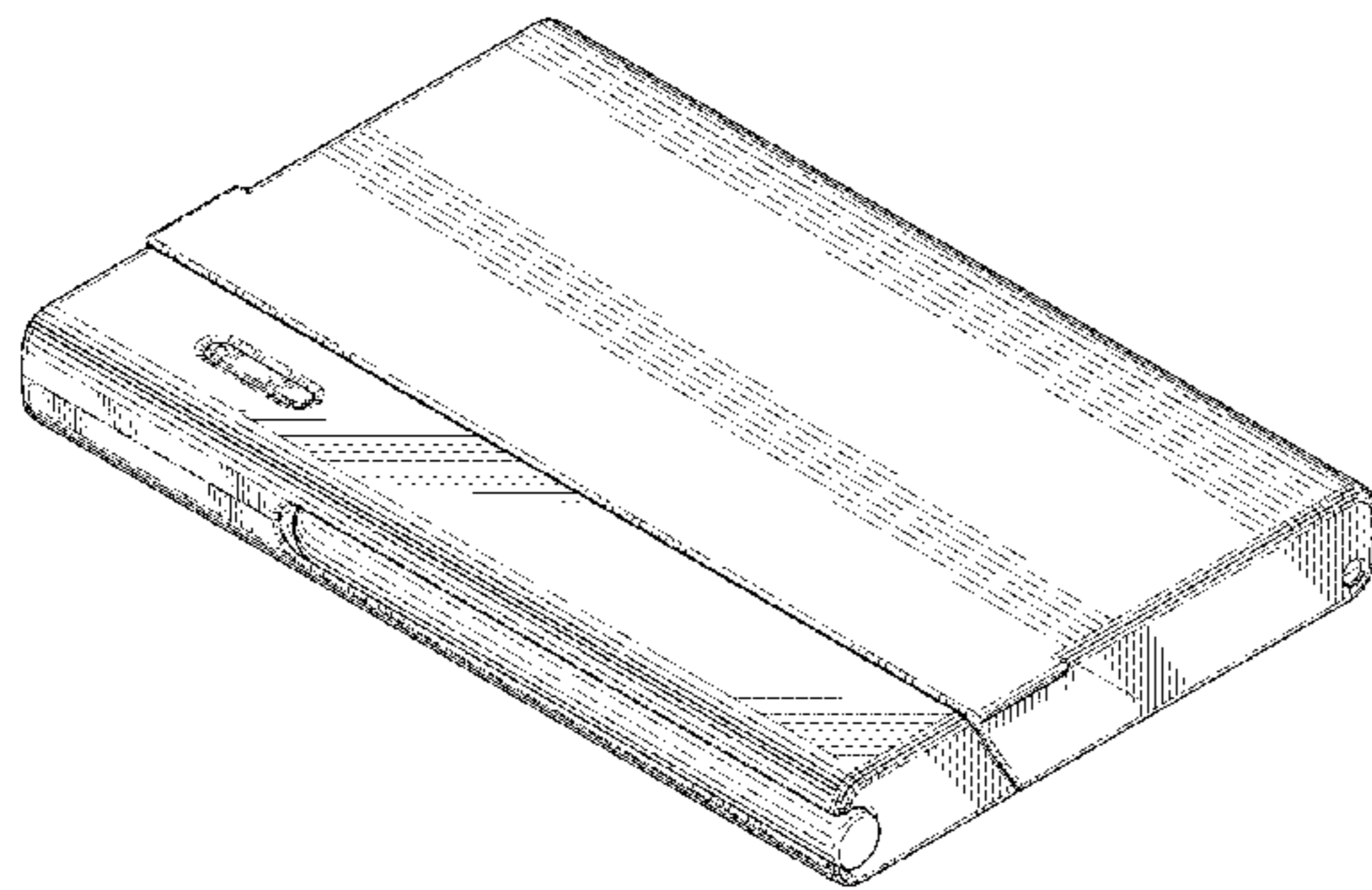
(57) **CLAIM**

We claim the ornamental design for a battery charger, as shown and described.

**DESCRIPTION**

FIG. 1 is a front perspective view of a battery charger;  
FIG. 2 is a back bottom perspective view of the battery charger;  
FIG. 3 is a top plan view thereof;  
FIG. 4 is a bottom plan view thereof;  
FIG. 5 is a front elevational view thereof;  
FIG. 6 is a back elevational view thereof;  
FIG. 7 is a left elevational view thereof; and,  
FIG. 8 is a right elevational view thereof.  
The broken lines shown in the drawings of the battery charger are for illustrating portions of the article and form no part of the claimed design.

**1 Claim, 4 Drawing Sheets**



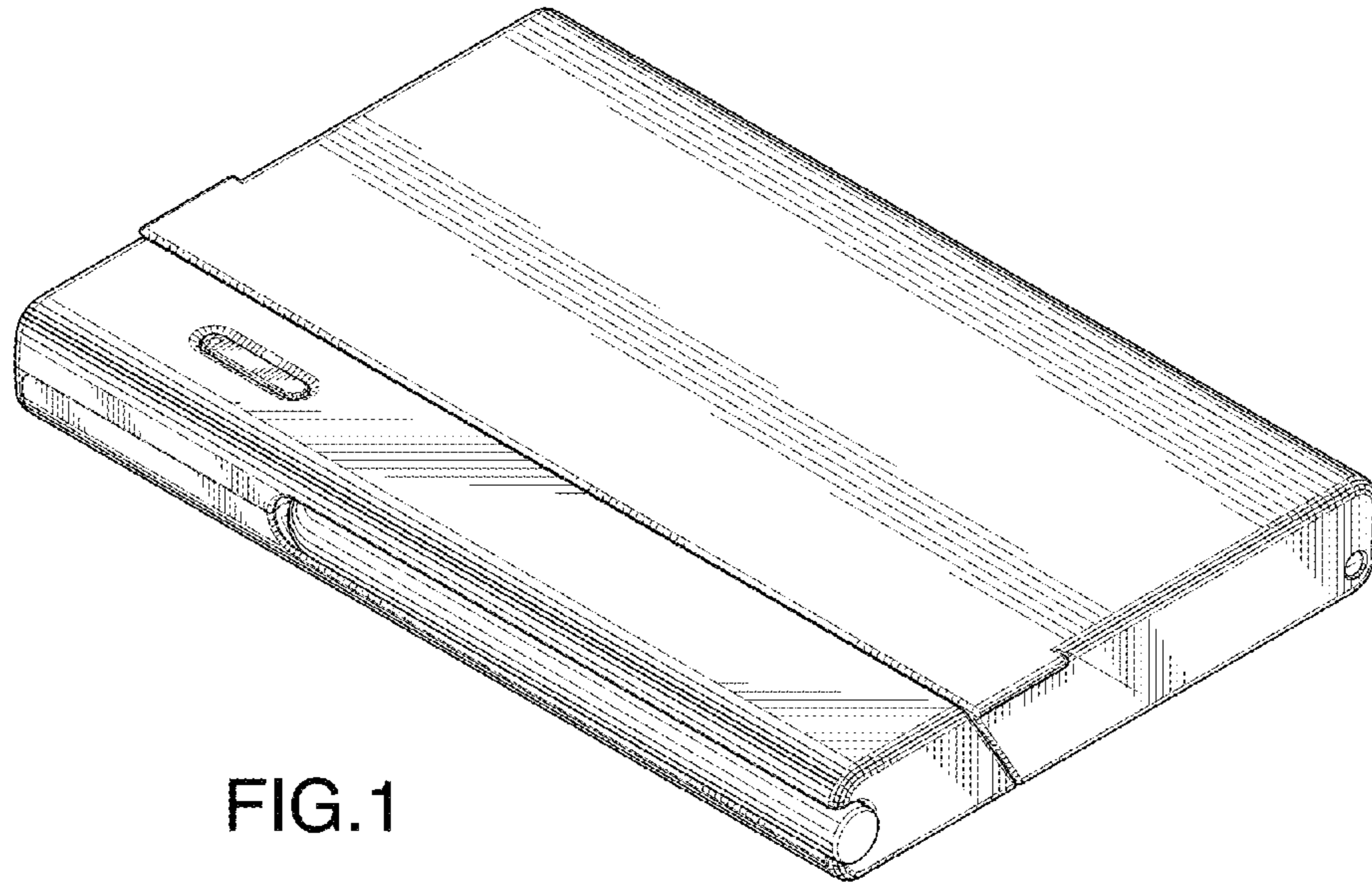


FIG.1

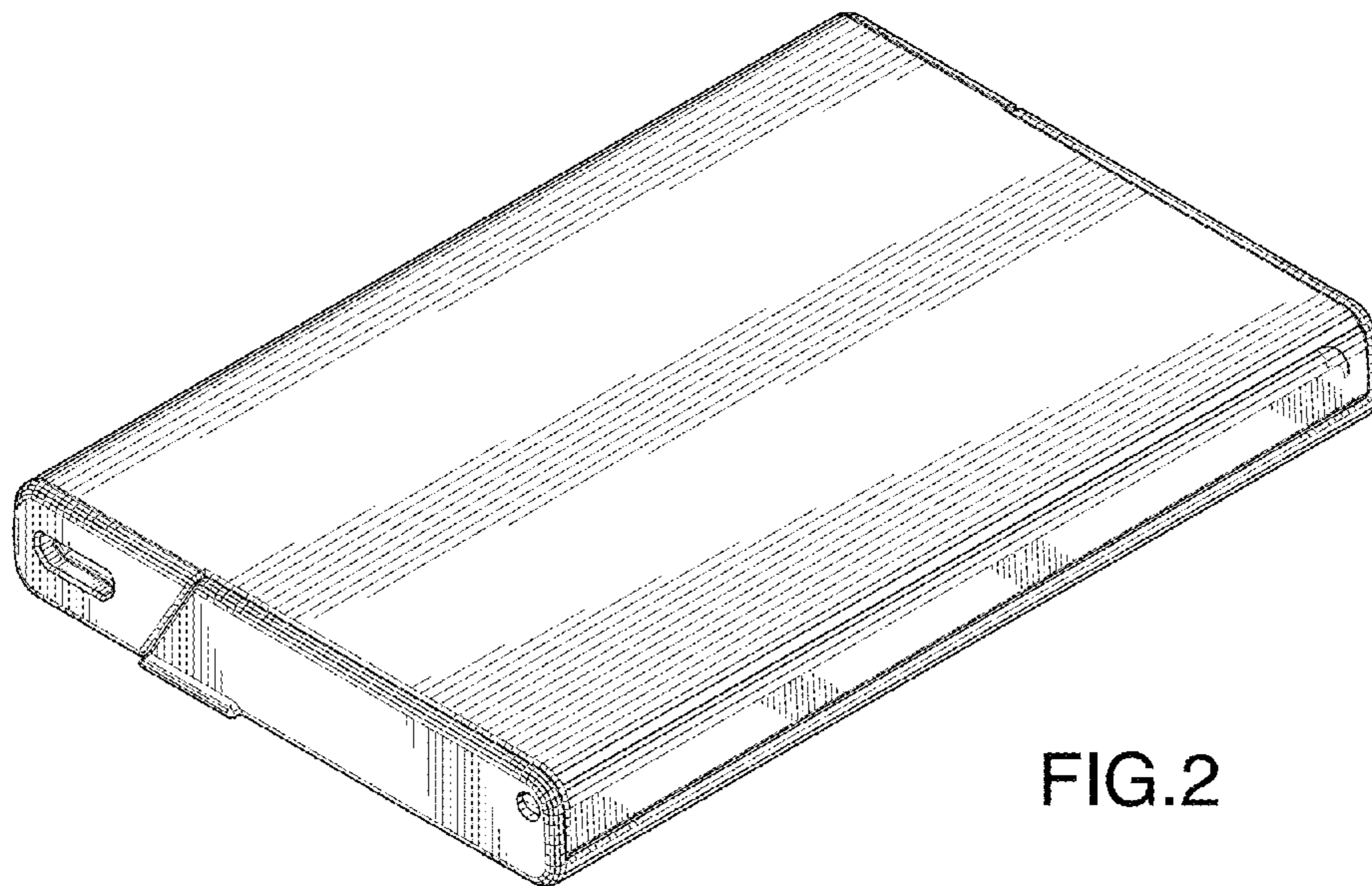


FIG.2



FIG.4

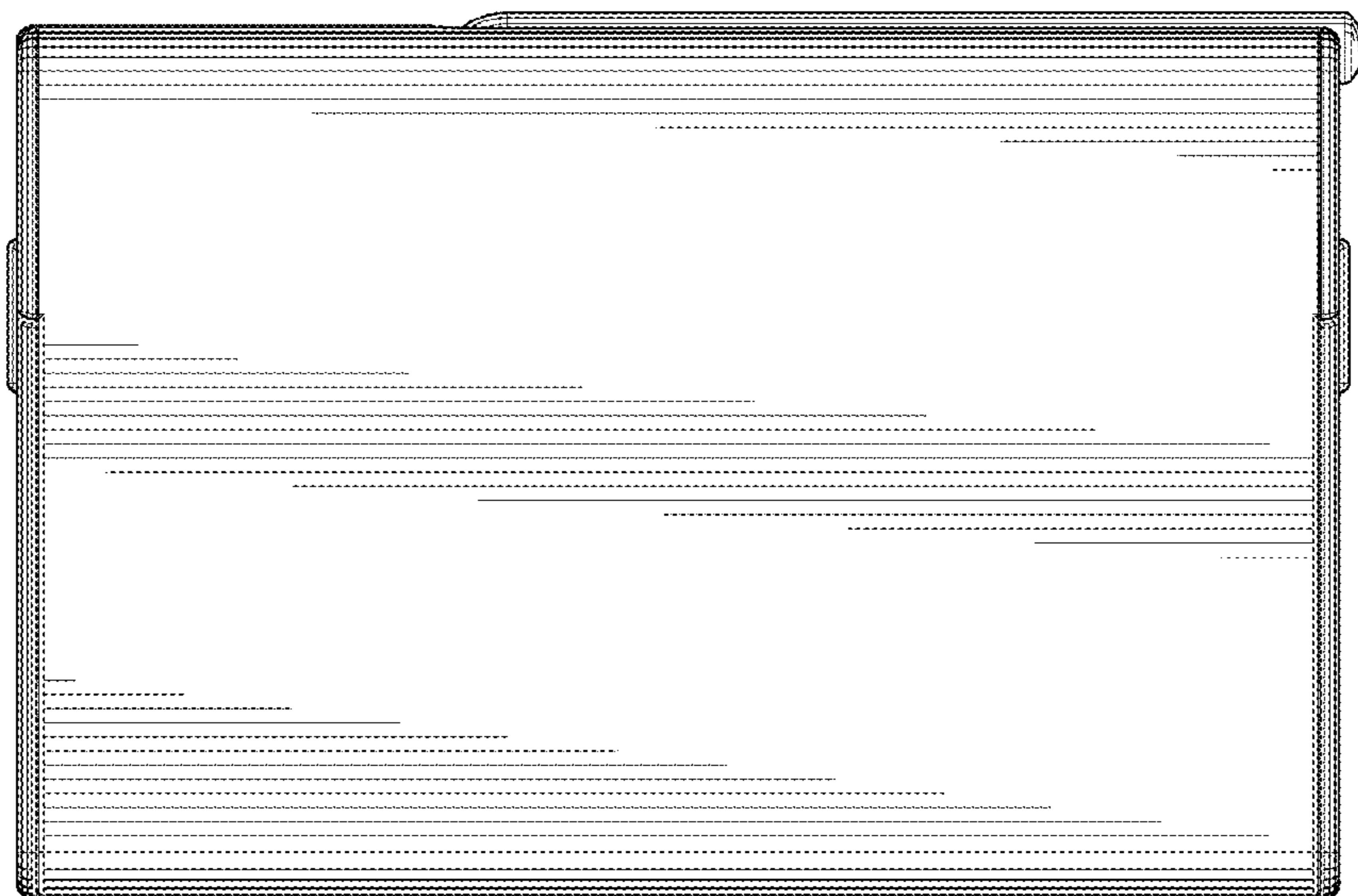


FIG.3

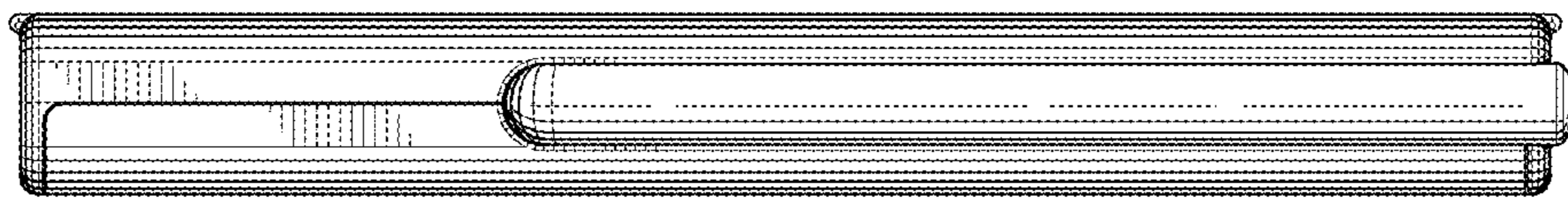


FIG. 5

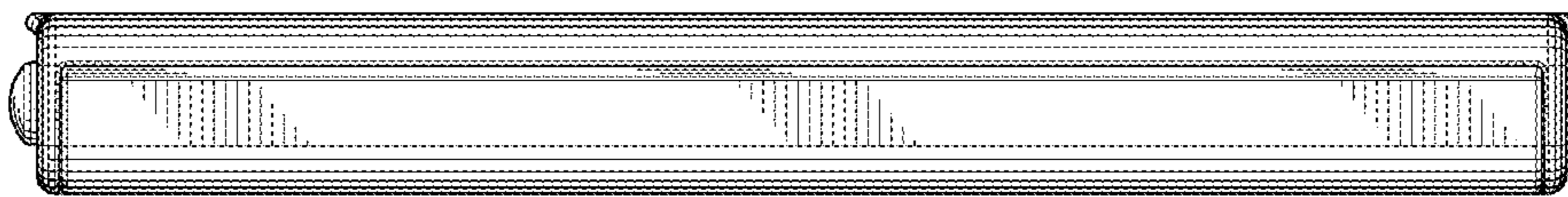


FIG. 6

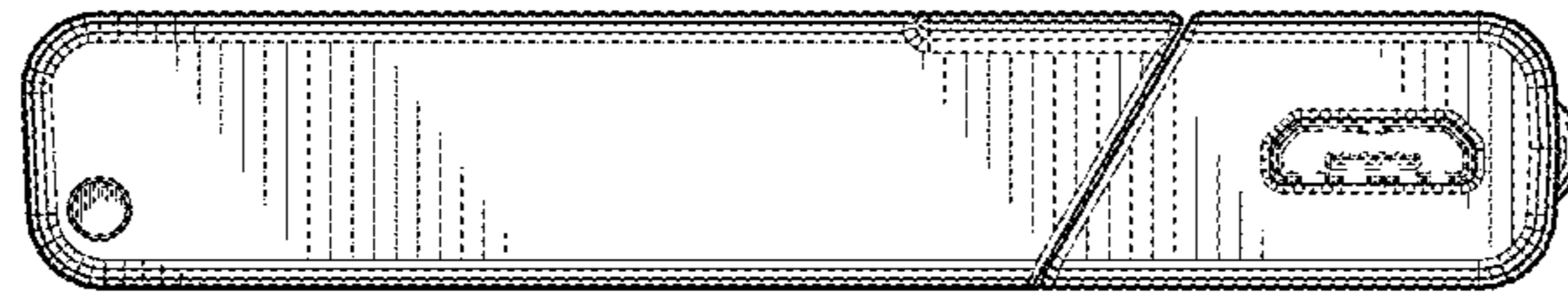


FIG.7

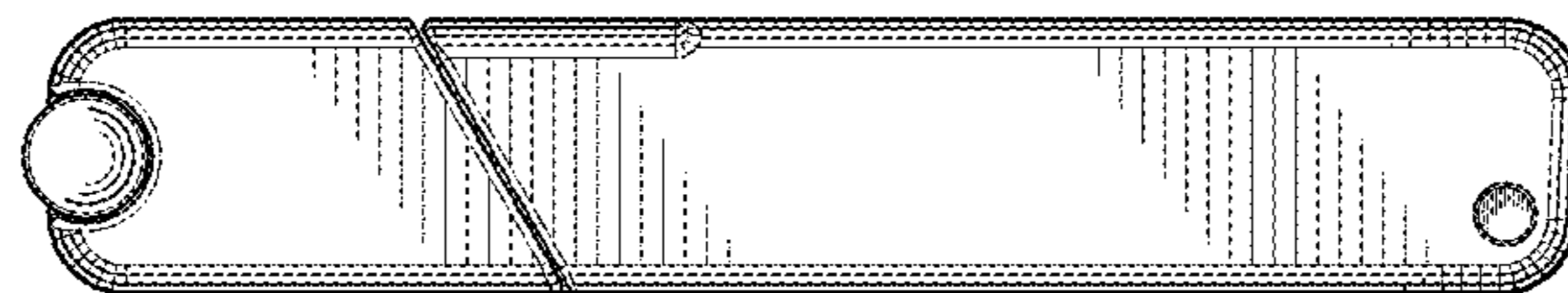


FIG.8