



US00D685319S

(12) **United States Design Patent**
Ignor et al.

(10) **Patent No.:** **US D685,319 S**

(45) **Date of Patent:** **** Jul. 2, 2013**

(54) **BATTERY**

(75) Inventors: **Matthew Michael Ignor**, Stratford (CA); **Kenny Veng Hong Che**, Vancouver (CA); **Taha Shabbir Husain Sutarwala**, Mississauga (CA)

(73) Assignee: **Research In Motion Limited**, Waterloo, Ontario (CA)

(**) Term: **14 Years**

(21) Appl. No.: **29/423,123**

(22) Filed: **May 29, 2012**

(51) **LOC (9) Cl.** **13-02**

(52) **U.S. Cl.**
USPC **D13/103**

(58) **Field of Classification Search**
USPC D13/102–106, 110, 118–121, 184,
D13/199; 429/96–100, 163, 176
See application file for complete search history.

(56) **References Cited**

U.S. PATENT DOCUMENTS

D386,742 S * 11/1997 Amero et al. D13/103
D400,496 S * 11/1998 Barber et al. D13/103
D439,877 S * 4/2001 Vacheron et al. D13/103

D509,182 S * 9/2005 Takeshita et al. D13/103
D592,130 S * 5/2009 Tatehata et al. D13/103
D594,402 S * 6/2009 Inoue et al. D13/103
D601,494 S * 10/2009 Otani et al. D13/103
7,655,352 B2 * 2/2010 Heo et al. 429/163
D642,980 S * 8/2011 Inaba D13/119
D644,988 S * 9/2011 Finney et al. D13/103
D645,814 S * 9/2011 Otani et al. D13/103
D646,222 S * 10/2011 Tatehata et al. D13/103
D669,427 S * 10/2012 Ignor et al. D13/103

* cited by examiner

Primary Examiner — Rosemary K Tarcza

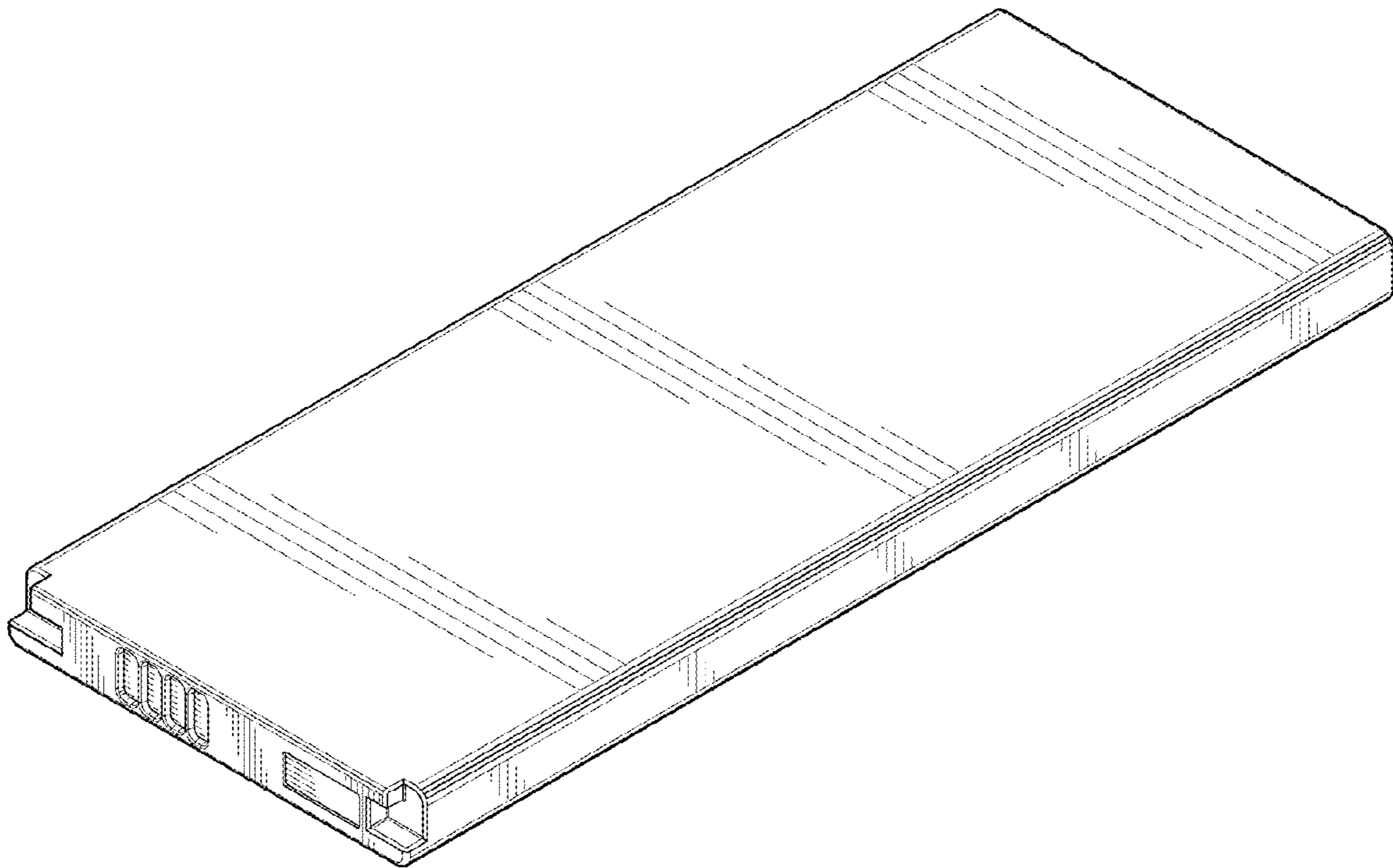
(57) **CLAIM**

We claim the ornamental design for a battery, as shown and described.

DESCRIPTION

FIG. 1 is a front perspective view of a battery;
FIG. 2 is a back perspective view of the battery;
FIG. 3 is a bottom plan view thereof;
FIG. 4 is a top plan view thereof;
FIG. 5 is a back elevational view thereof;
FIG. 6 is a front elevational view thereof;
FIG. 7 is a right elevational view thereof; and,
FIG. 8 is a left elevational view thereof.

1 Claim, 6 Drawing Sheets



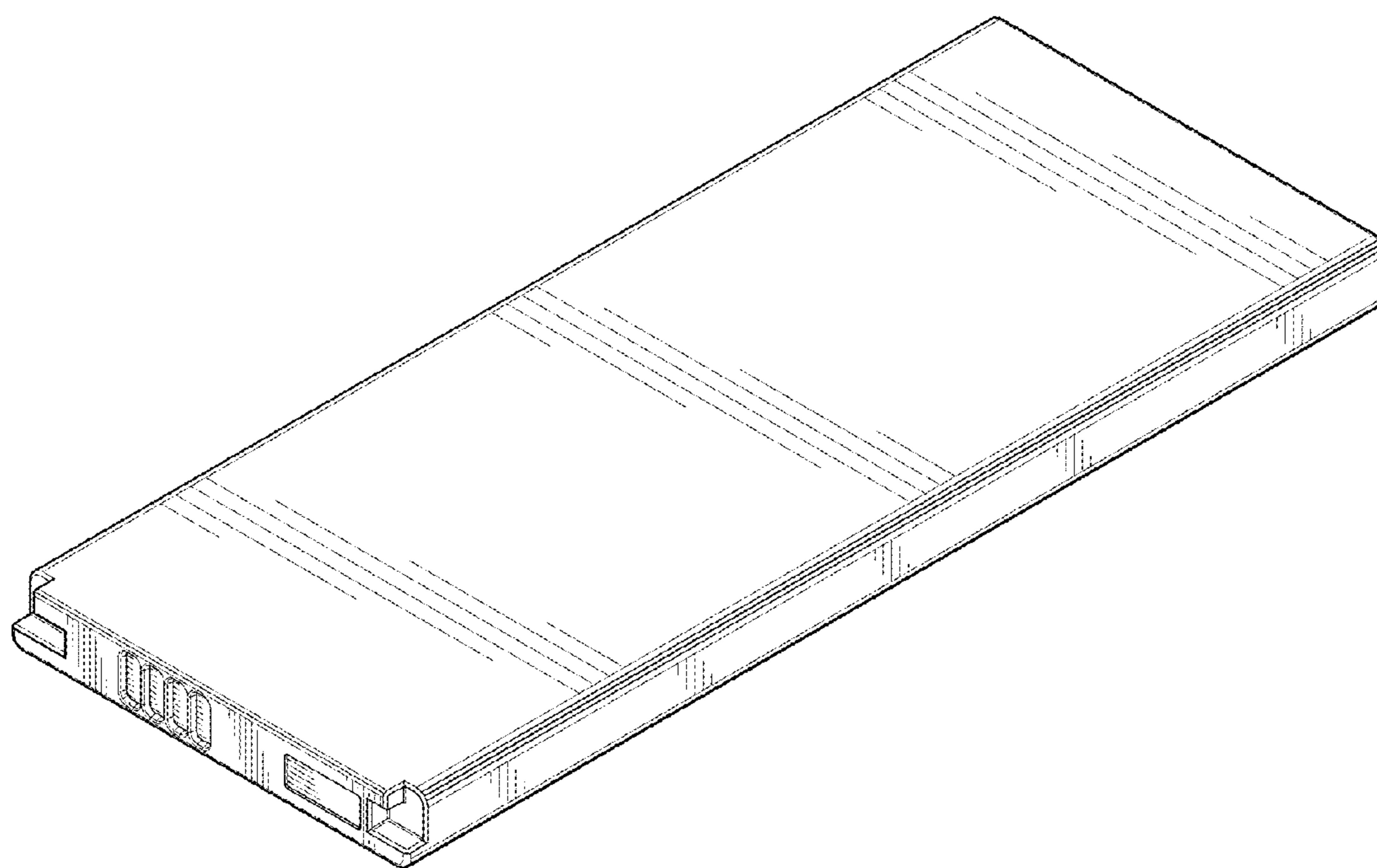


FIG.1

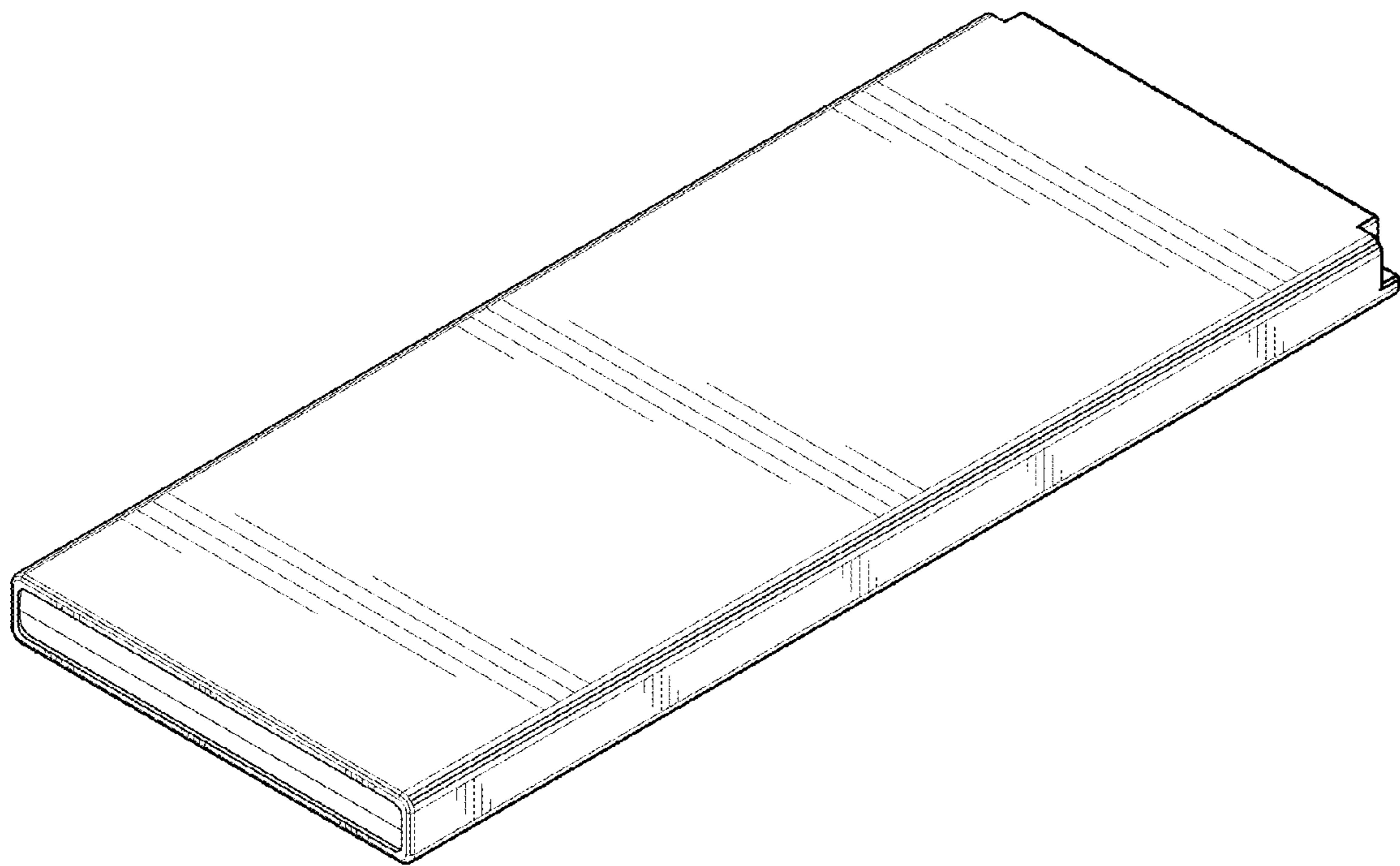


FIG.2

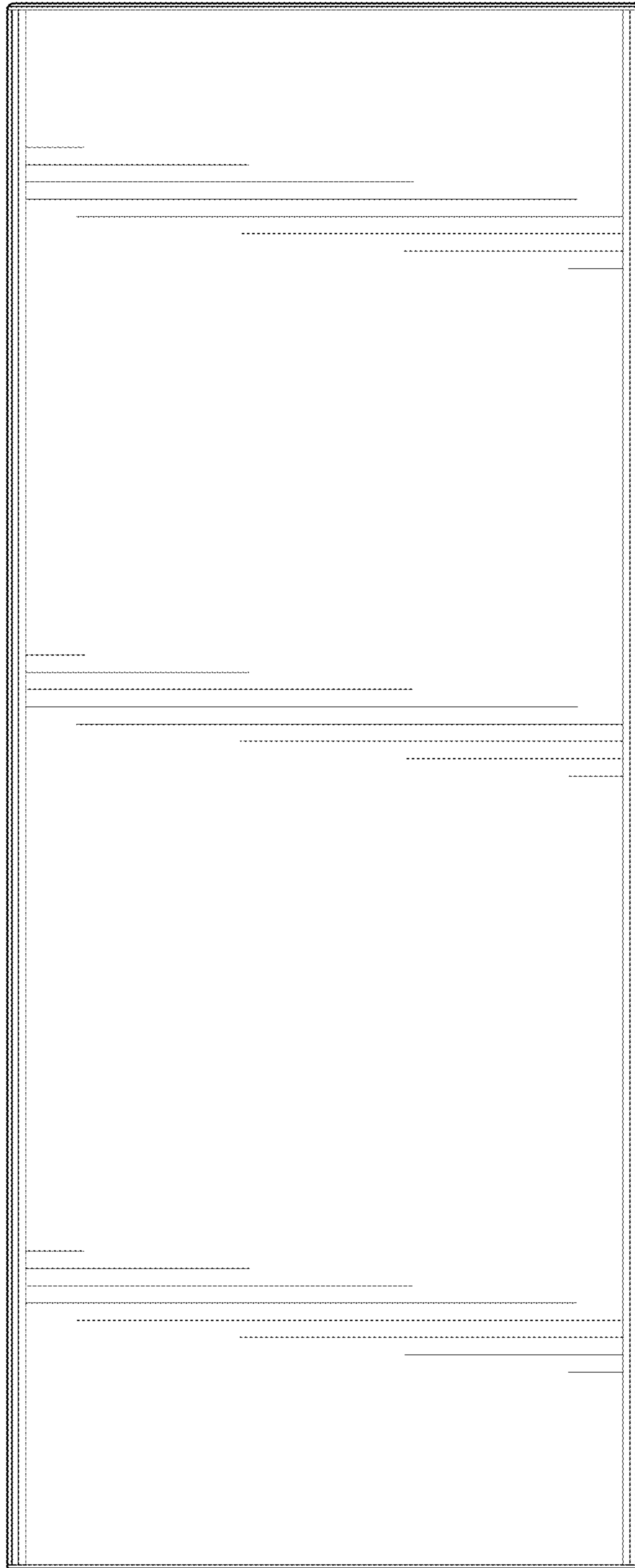


FIG.3

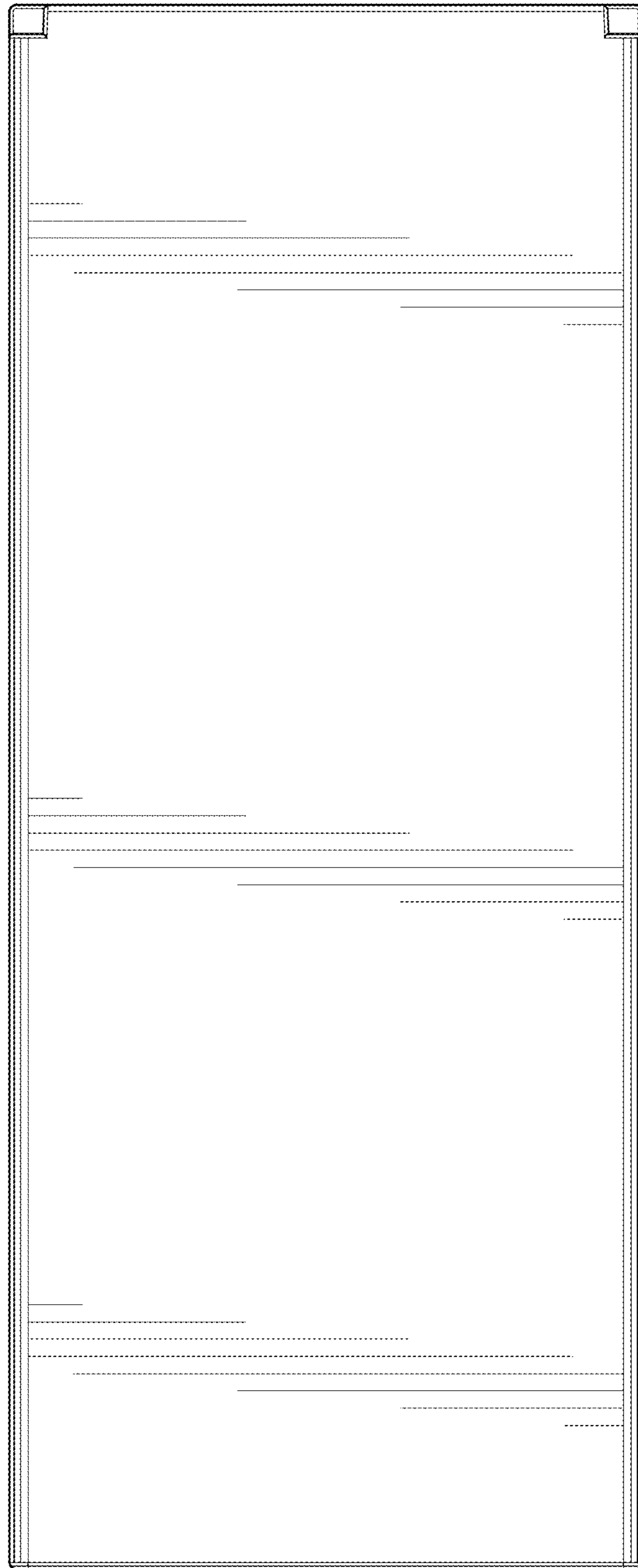


FIG.4

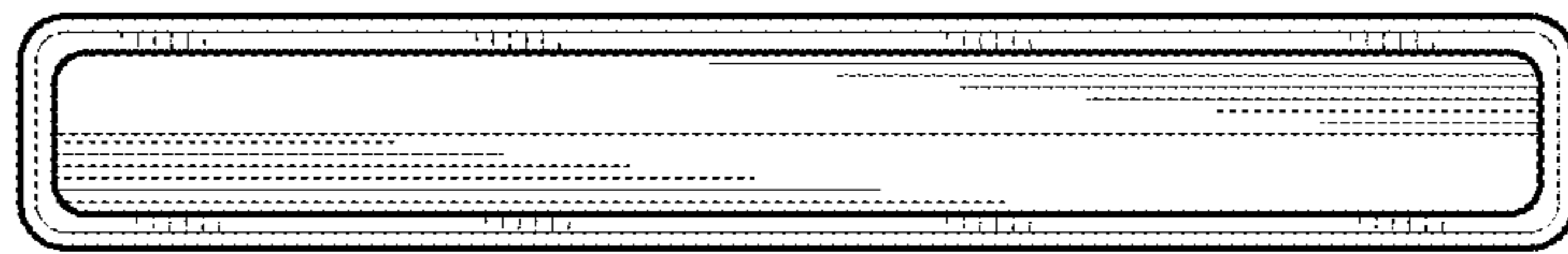


FIG. 5

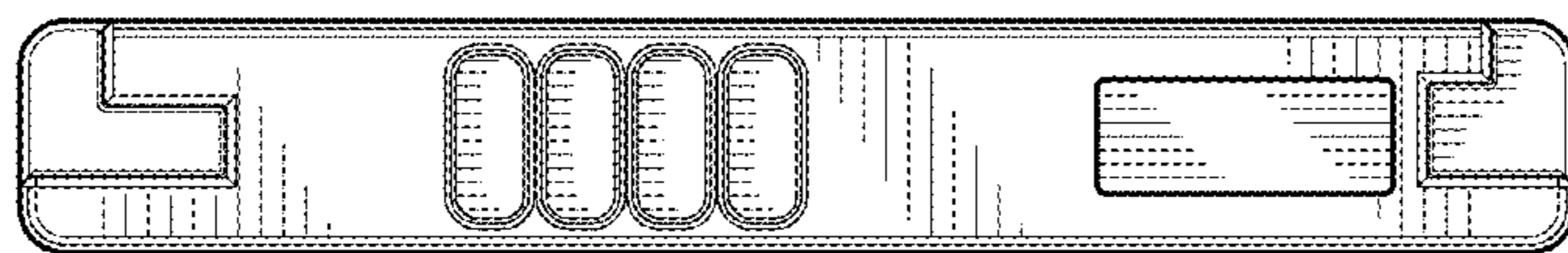


FIG. 6

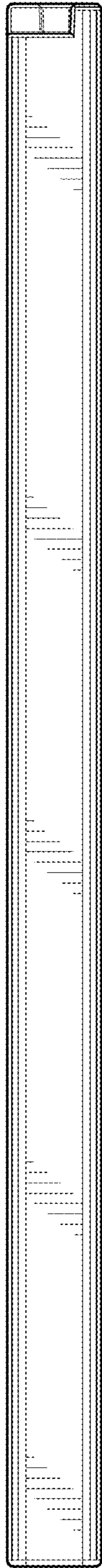


FIG. 7

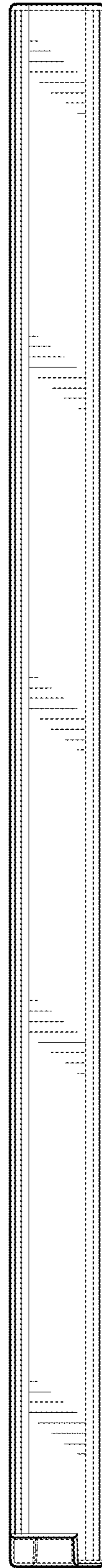


FIG. 8