



US00D685318S

(12) **United States Design Patent**  
**Obata**

(10) **Patent No.:** **US D685,318 S**  
(45) **Date of Patent:** **\*\* Jul. 2, 2013**

(54) **RECHARGEABLE BATTERY**

- (75) Inventor: **Shinichi Obata**, Tokyo (JP)
- (73) Assignee: **Sony Corporation**, Tokyo (JP)
- (\*\*) Term: **14 Years**
- (21) Appl. No.: **29/421,388**
- (22) Filed: **Jul. 16, 2012**

**Related U.S. Application Data**

- (63) Continuation of application No. 29/371,731, filed on Aug. 5, 2011, now Pat. No. Des. 665,340, which is a continuation of application No. 29/371,062, filed on Oct. 6, 2010, now Pat. No. Des. 654,850.

(30) **Foreign Application Priority Data**

- Apr. 7, 2010 (JP) ..... D2010-008775
- Apr. 7, 2010 (JP) ..... D2010-008776
- Apr. 7, 2010 (JP) ..... D2010-008777
- Apr. 7, 2010 (JP) ..... D2010-008778
- Apr. 7, 2010 (JP) ..... D2010-008779
- Apr. 7, 2010 (JP) ..... D2010-008780
- Apr. 7, 2010 (JP) ..... D2010-008781
- Apr. 7, 2010 (JP) ..... D2010-008782
- Apr. 7, 2010 (JP) ..... D2010-008783
- Apr. 7, 2010 (JP) ..... D2010-008784
- Apr. 7, 2010 (JP) ..... D2010-008785
- Apr. 7, 2010 (JP) ..... D2010-008786
- Apr. 7, 2010 (JP) ..... D2010-008787
- Apr. 7, 2010 (JP) ..... D2010-008788

- (51) **LOC (9) Cl.** ..... **13-02**
- (52) **U.S. Cl.**  
USPC ..... **D13/103; D13/120**
- (58) **Field of Classification Search**  
USPC ..... D13/102-106, 110, 118-119, 184;  
429/96-100, 163, 176  
See application file for complete search history.

(56) **References Cited**

U.S. PATENT DOCUMENTS

D307,261 S	4/1990	Miki et al.	
D356,776 S	3/1995	Yoshii	
D362,424 S	9/1995	Sumita et al.	
5,563,005 A *	10/1996	Ohtani et al.	429/96
D377,477 S	1/1997	Harata et al.	
D387,727 S	12/1997	Settsu et al.	
D403,656 S	1/1999	Ichikawa	
D405,766 S	2/1999	Hartel et al.	
D417,187 S	11/1999	Maeyama	
D417,188 S	11/1999	Maeyama	
D419,522 S *	1/2000	Kamagai	D13/120
D428,384 S	7/2000	Maeyama	
D432,982 S	10/2000	Miyashita	
D439,217 S	3/2001	Melnicoff	
D446,183 S	8/2001	Miyashita	
6,361,359 B1 *	3/2002	Du et al.	439/500
D480,682 S	10/2003	Kawase	
D481,995 S *	11/2003	Yokota	D13/103
D491,137 S	6/2004	Suzuki	

(Continued)

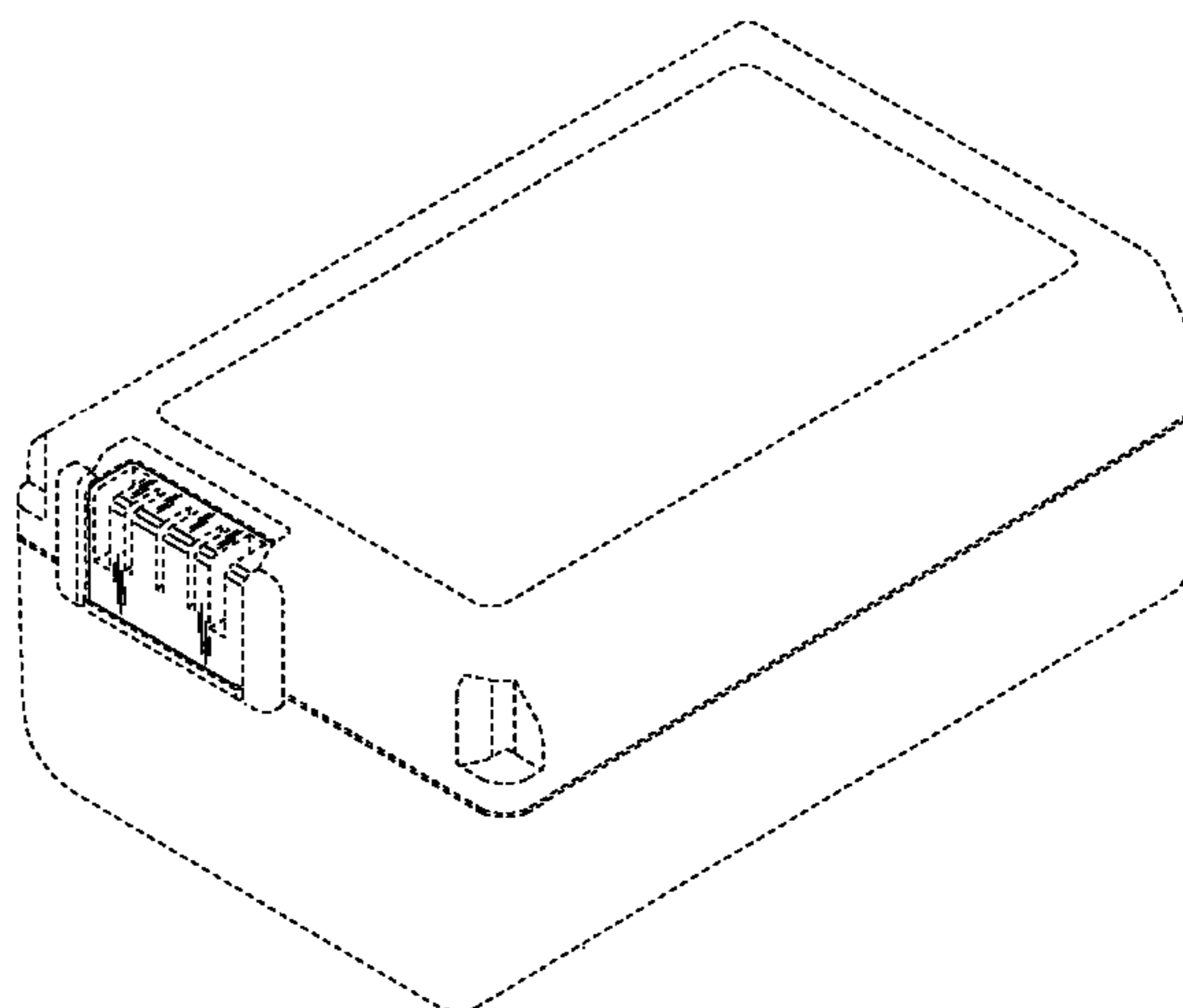
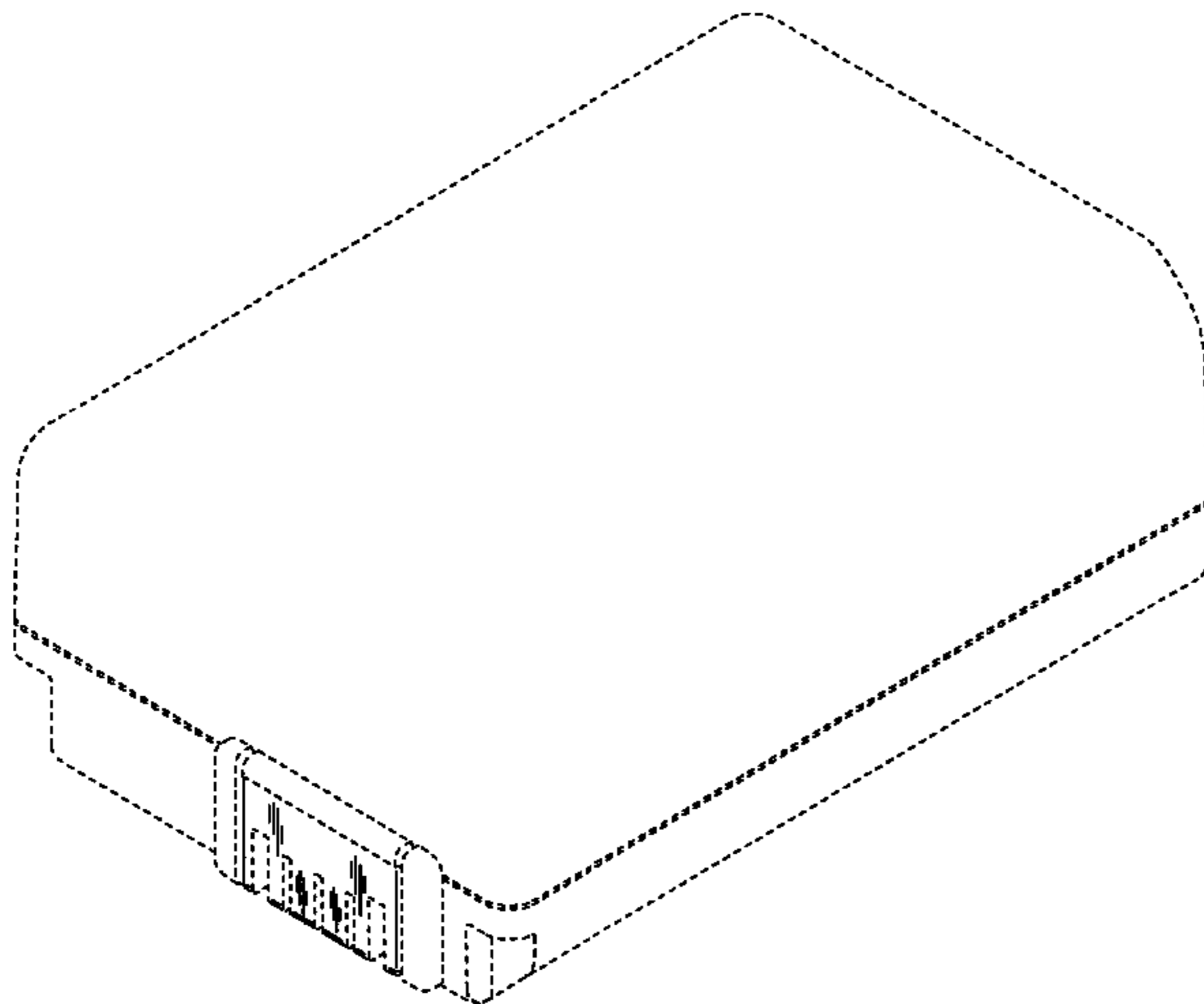
*Primary Examiner* — Rosemary K Tarcza  
(74) *Attorney, Agent, or Firm* — Rader, Fishman & Grauer PLLC

(57) **CLAIM**  
The ornamental design for a rechargeable battery, as shown and described.

**DESCRIPTION**

FIG. 1 is a front, top, right perspective view of a rechargeable battery showing my new design;  
FIG. 2 is a front, bottom, right perspective view thereof;  
FIG. 3 is a front elevational view thereof; and,  
FIG. 4 is a bottom plan view thereof.  
Portions in broken lines are for illustrative purposes only and form no part of the claimed design.

**1 Claim, 4 Drawing Sheets**



# US D685,318 S

Page 2

## U.S. PATENT DOCUMENTS

D503,922 S	4/2005	Shimizu	
D508,018 S	8/2005	Yokota	
D512,018 S	11/2005	Matsuda et al.	
D515,025 S	2/2006	Yokota	
D517,475 S	3/2006	Yokota	
D519,919 S	5/2006	Yokota	
D520,942 S	5/2006	Yokota	
D521,449 S	5/2006	Yokota	
D524,241 S	7/2006	Takeshita et al.	
D535,249 S	1/2007	Ogasawara	
D554,579 S	11/2007	Ogasawara	
D556,680 S *	12/2007	Matsumoto	D13/103
D557,212 S *	12/2007	Huang et al.	D13/120
D558,671 S *	1/2008	Chen	D13/120
D560,159 S	1/2008	Matsumoto	
D568,807 S	5/2008	Suzuki et al.	
D571,725 S *	6/2008	Hung et al.	D13/120
D580,350 S	11/2008	Iseki	
D580,850 S	11/2008	Iseki	
D585,373 S *	1/2009	Hung	D13/120
D588,058 S	3/2009	Obata	
D591,673 S	5/2009	Ogasawara	
D592,135 S *	5/2009	Hung	D13/120
D640,628 S *	6/2011	Lopano et al.	D13/103
8,048,553 B2	11/2011	Takeshita et al.	
D654,850 S *	2/2012	Obata	D13/103
D665,340 S *	8/2012	Obata	D13/103

\* cited by examiner

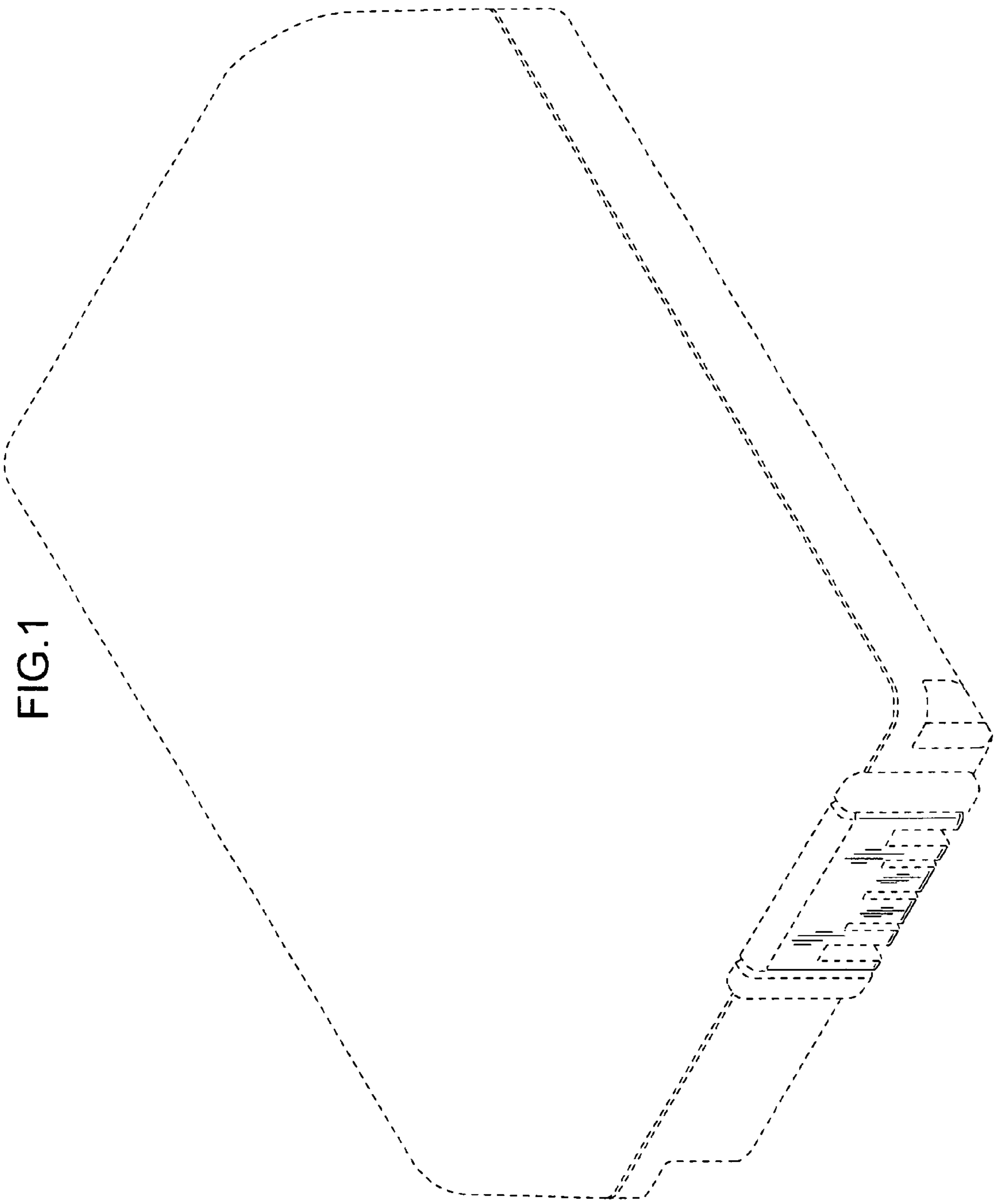


FIG. 1

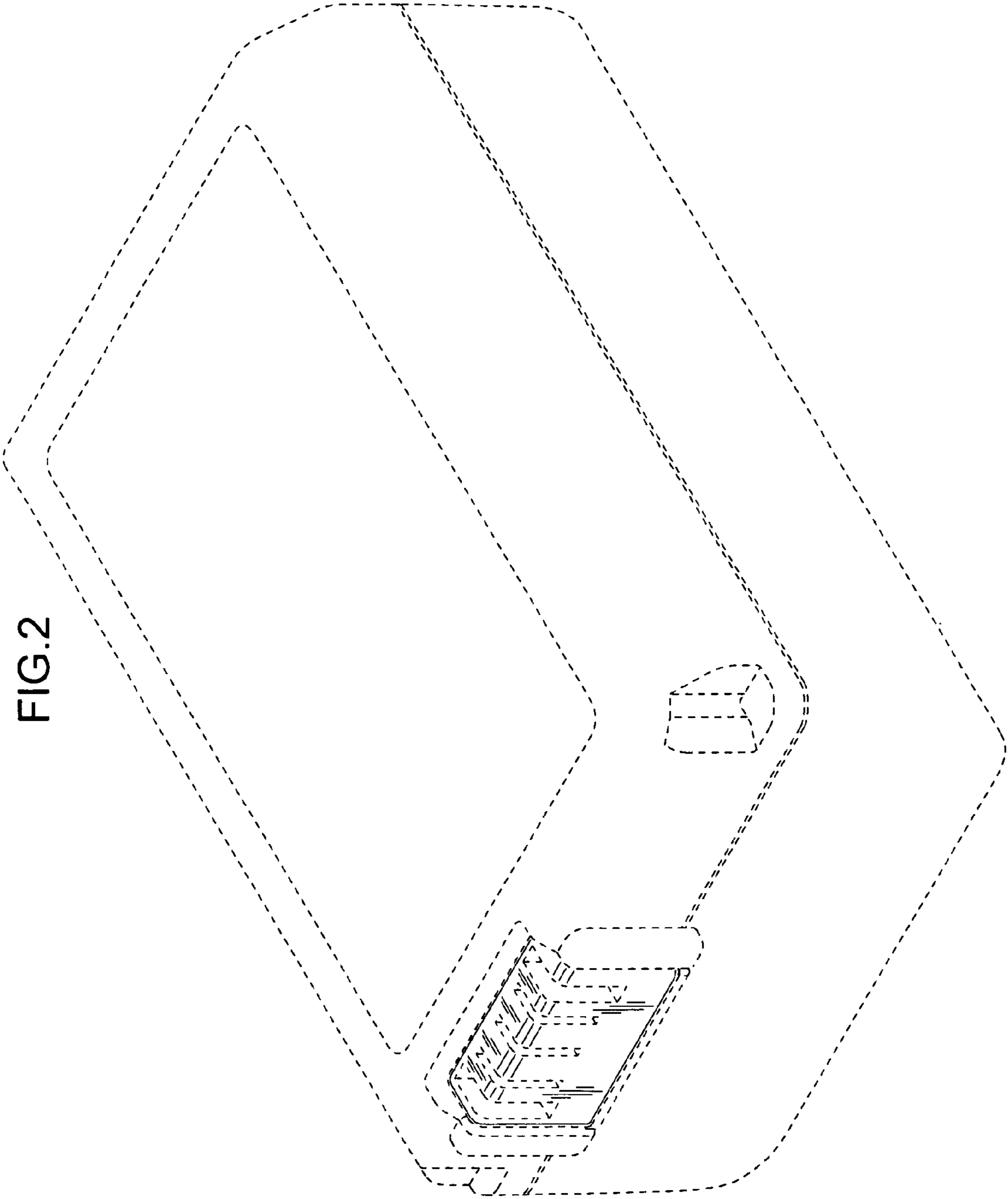


FIG. 2

FIG.3

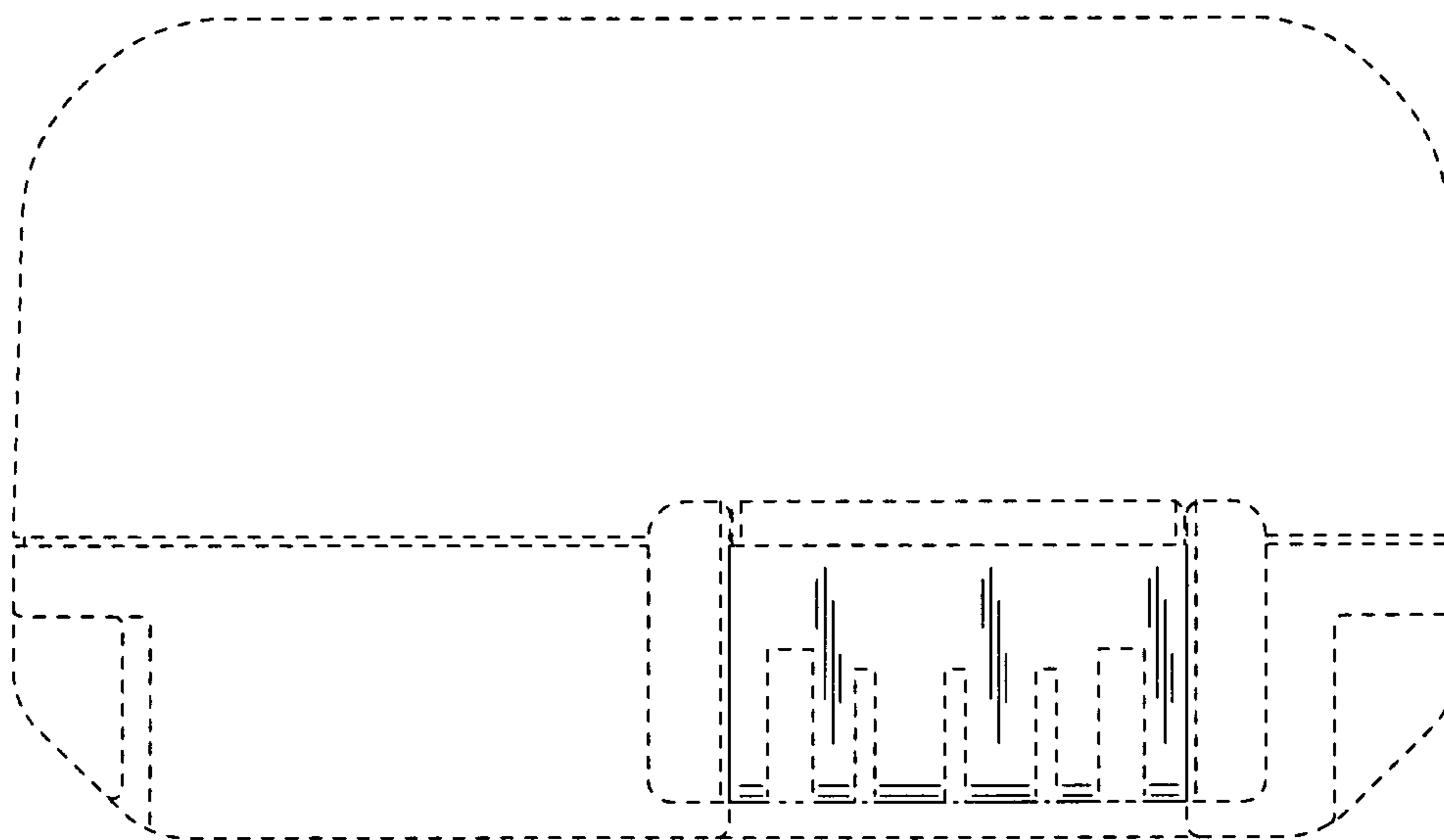


FIG.4

