



US00D685315S

(12) **United States Design Patent**
Hayes

(10) **Patent No.:** **US D685,315 S**
(45) **Date of Patent:** **** Jul. 2, 2013**

(54) **AUTOMOTIVE UMBRELLA HOLDER**

(76) Inventor: **Nicole Hayes**, Whittier, CA (US)

(**) Term: **14 Years**

(21) Appl. No.: **29/385,013**

(22) Filed: **Feb. 8, 2011**

(51) **LOC (9) Cl.** **12-16**

(52) **U.S. Cl.**
USPC **D12/415**

(58) **Field of Classification Search**
USPC ... D12/415, 416, 417, 418, 419, 420; 296/36;
22/539; 224/404; 248/274.1, 284.1; D8/354;
D9/423; D14/451-452
See application file for complete search history.

(56) **References Cited**

U.S. PATENT DOCUMENTS

2,426,113	A	8/1947	Northcutt	
D252,443	S *	7/1979	De Giorgis	D8/373
4,378,888	A	4/1983	Reed	
4,795,067	A	1/1989	Hamilton	
5,046,622	A	9/1991	Wood	
5,161,560	A	11/1992	Sheu	
D336,389	S *	6/1993	Taylor	D6/416
D350,527	S *	9/1994	Parlor, Sr.	D12/414.1
D352,390	S *	11/1994	Shrum	D3/10
D389,334	S *	1/1998	Attridge	D6/418
D405,292	S *	2/1999	Reese	D6/417
6,095,388	A	8/2000	Neville	
D446,005	S *	8/2001	Be Lue	D3/11

D623,395	S *	9/2010	Liao	D3/10
D634,114	S *	3/2011	Liao	D3/10
2002/0096616	A1 *	7/2002	Ratcliff et al.	248/539
2003/0094189	A1 *	5/2003	Ko	135/16
2004/0154953	A1	8/2004	Ravikumar	
2005/0173483	A1	8/2005	Ravikumar et al.	
2006/0060587	A1 *	3/2006	Shukrie	220/501
2007/0074982	A1 *	4/2007	Wu	206/315.3
2008/0224017	A1 *	9/2008	Woller	248/539
2009/0108167	A1 *	4/2009	White	248/519
2010/0200029	A1 *	8/2010	Fleming	135/34.2
2012/0043448	A1 *	2/2012	Liao	248/534
2012/0132779	A1 *	5/2012	Johnson et al.	248/513
2012/0187265	A1 *	7/2012	Bakerman	248/220.22

* cited by examiner

Primary Examiner — Katrina A Betton
(74) *Attorney, Agent, or Firm* — Kyle Fletcher

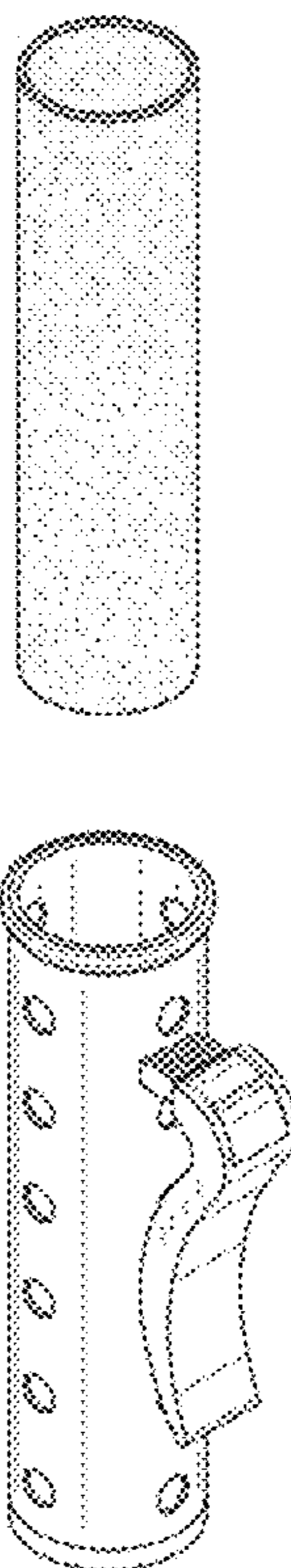
(57) **CLAIM**

I claim the ornamental design for the automotive umbrella holder, as shown and described.

DESCRIPTION

FIG. 1 is a side view of the automotive umbrella holder.
FIG. 2 is a rear view of the claimed design.
FIG. 3 is a front view of the claimed design.
FIG. 4 is a top view of the claimed design.
FIG. 5 is a bottom view of the claimed design.
FIG. 6 is an isometric view of the claimed design; and,
FIG. 7 is a perspective view of the claimed design along with the detachable sponge lining aligned above.

1 Claim, 6 Drawing Sheets



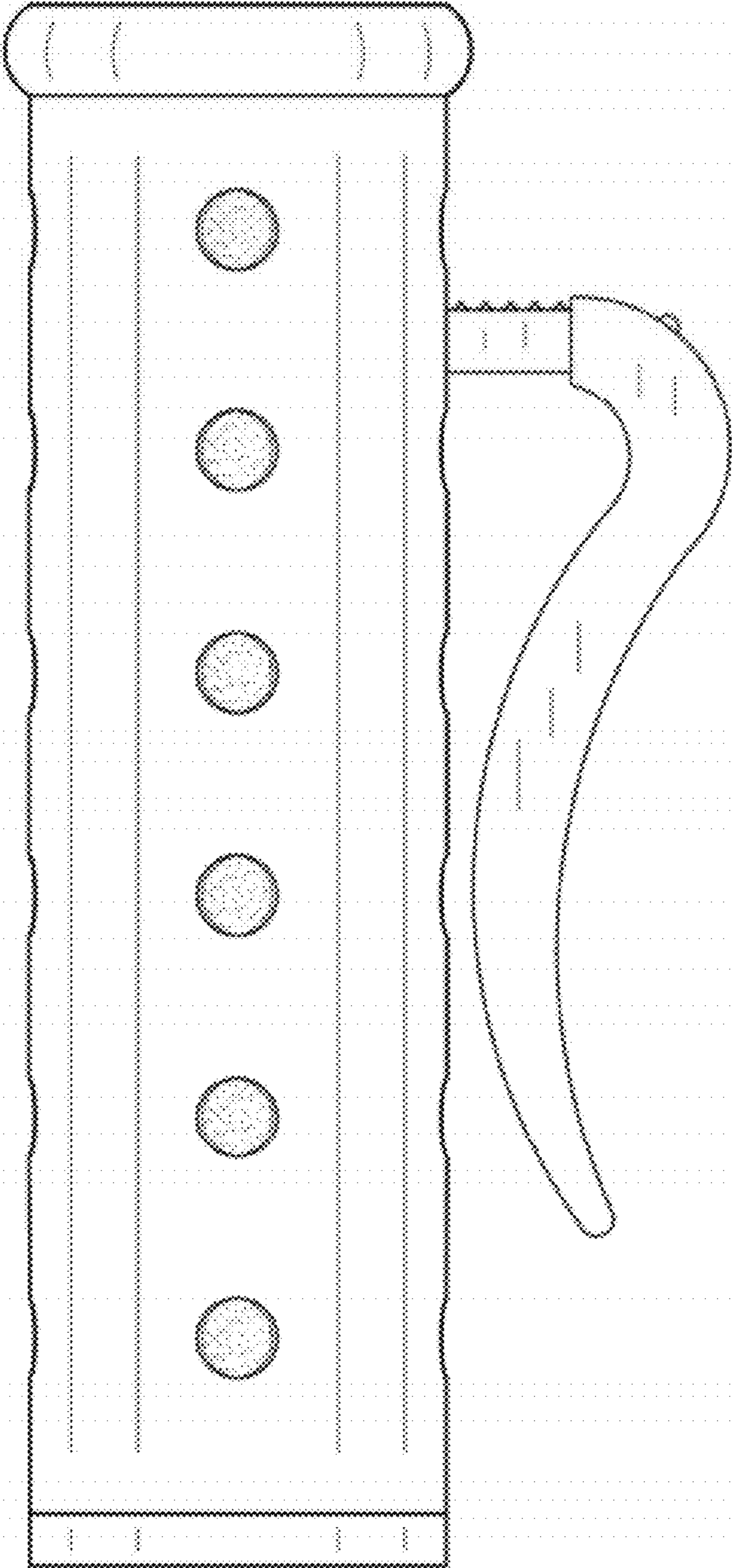


FIG. 1

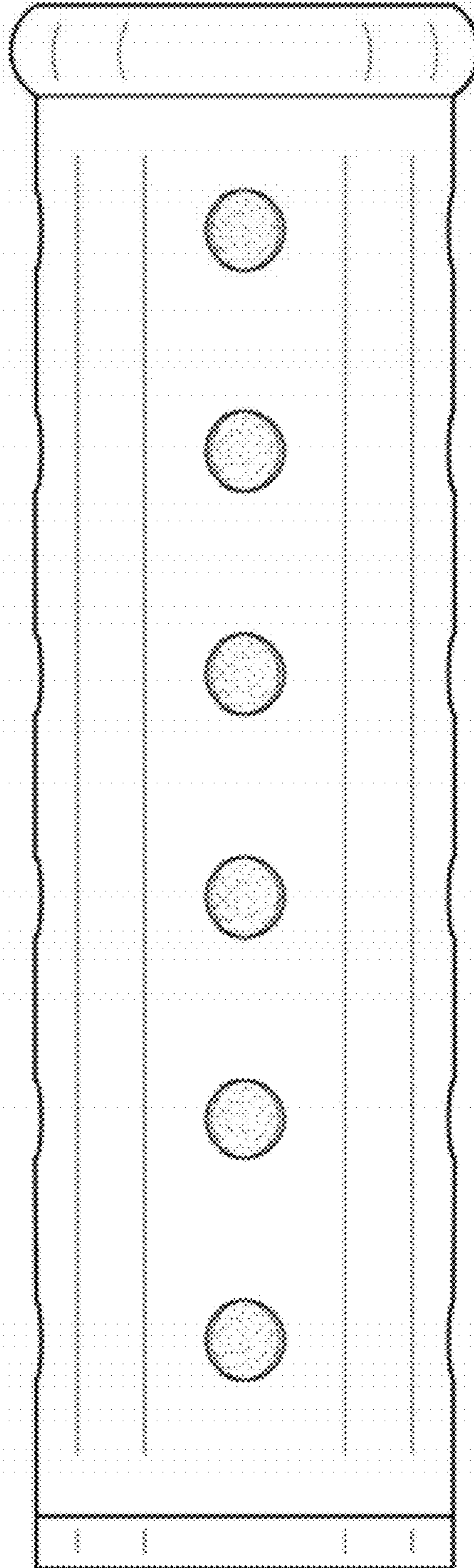


FIG. 2

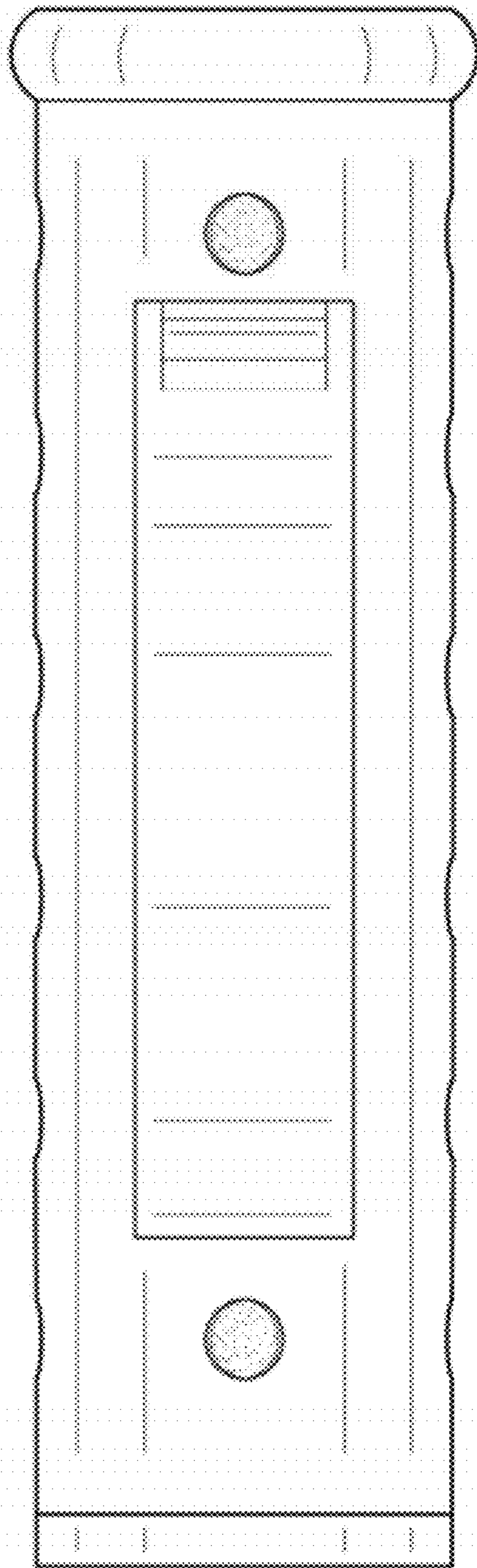


FIG. 3

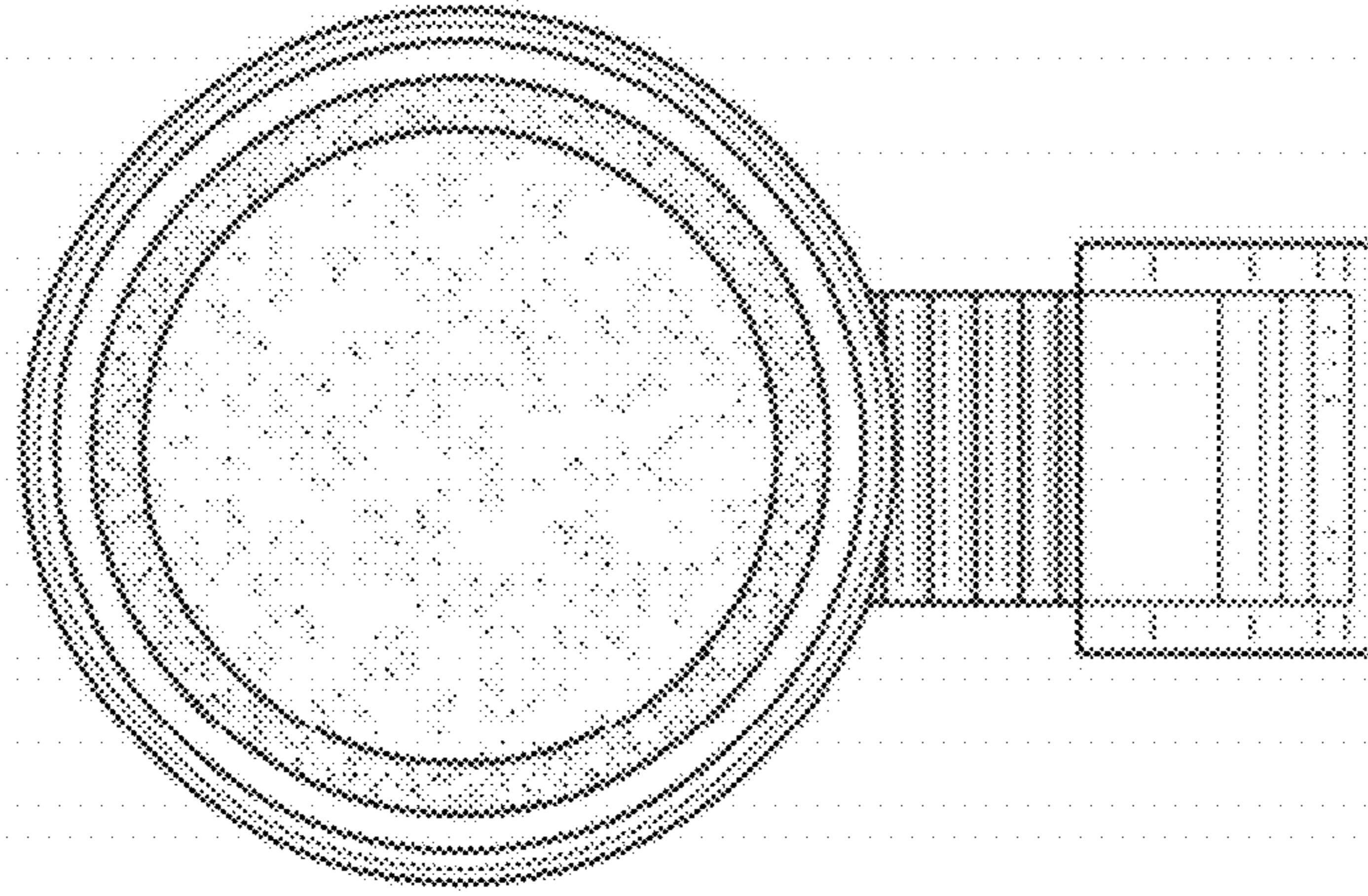


FIG. 4

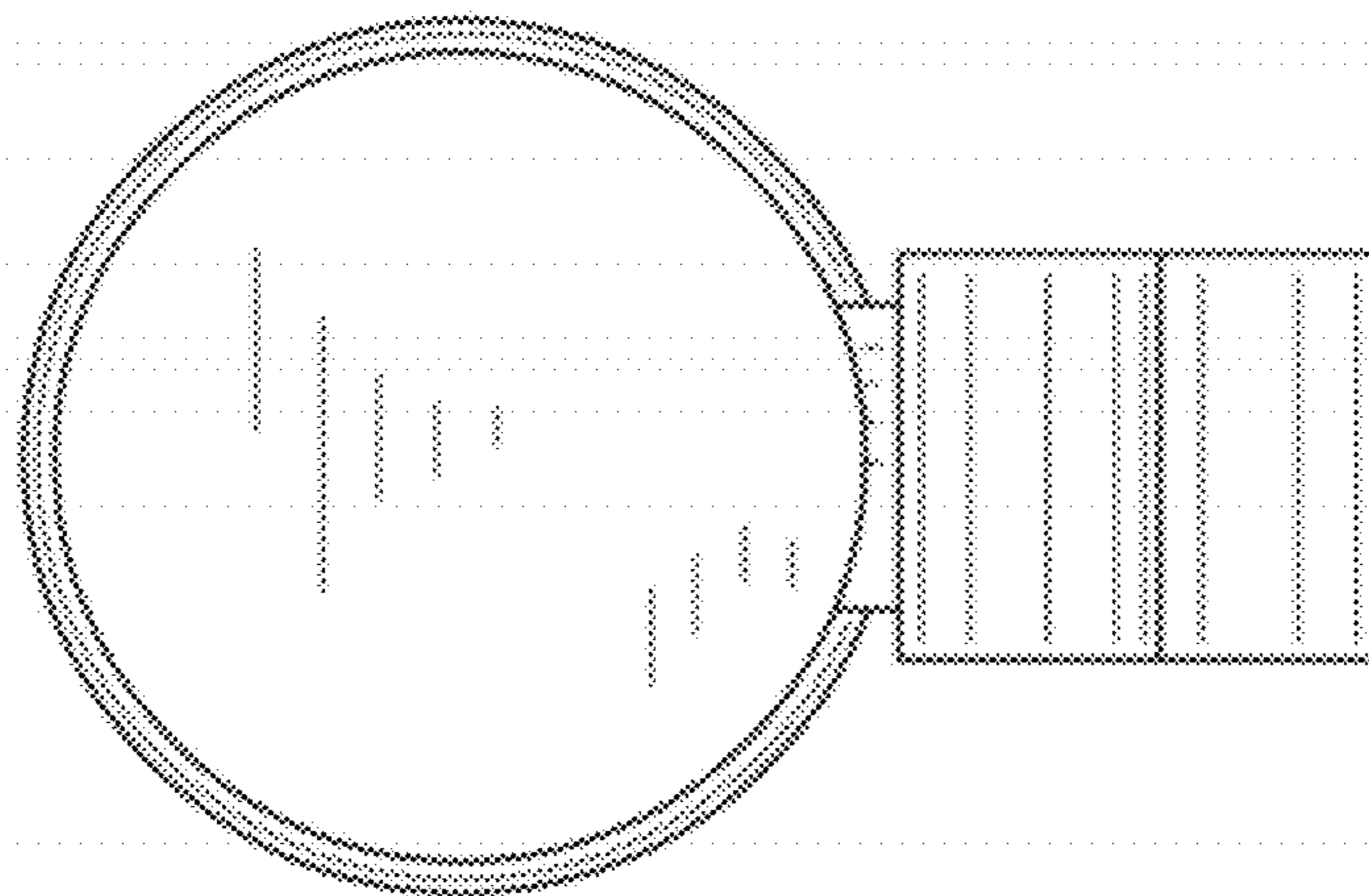


FIG. 5

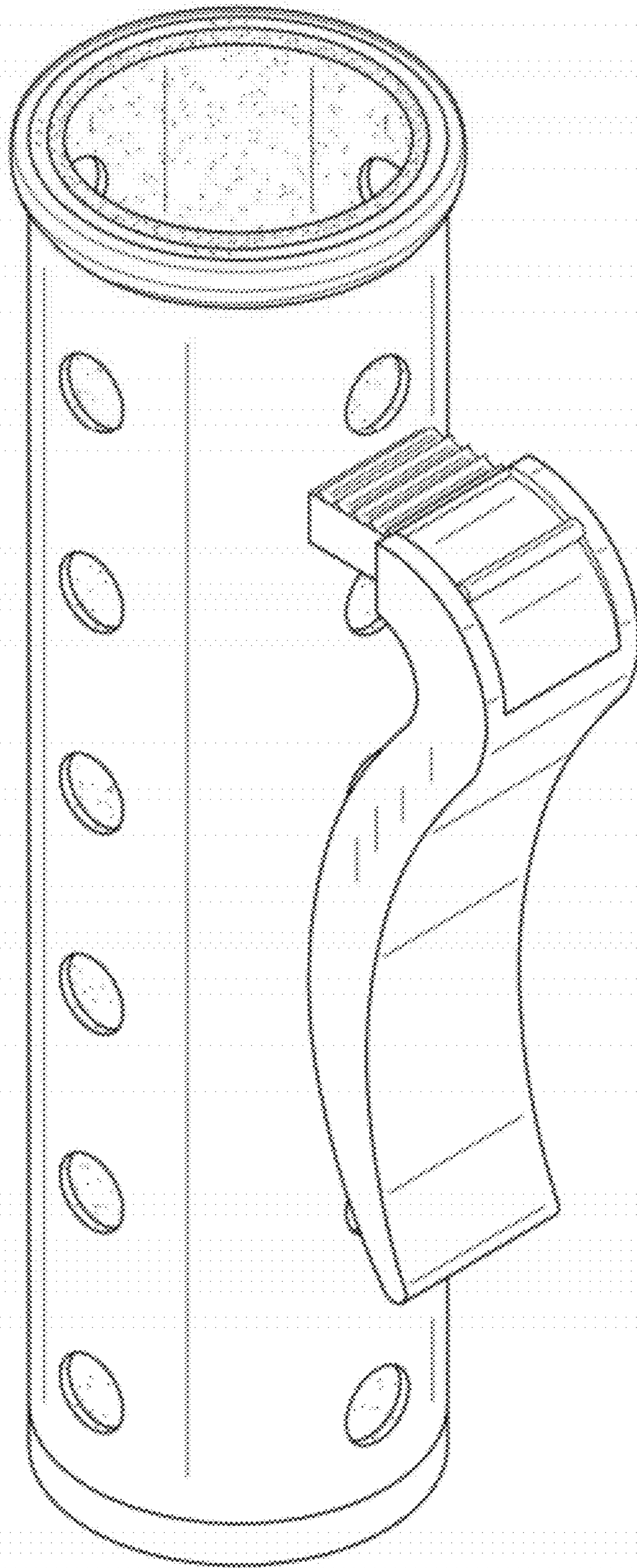


FIG. 6

FIG. 7

