



US00D685313S

(12) **United States Design Patent**  
**Gros**

(10) **Patent No.:** **US D685,313 S**  
(45) **Date of Patent:** **\*\* Jul. 2, 2013**

(54) **ANCHOR RETAINER**

(76) Inventor: **Charles Preston Gros**, White City, OR  
(US)

(\*\*) Term: **14 Years**

(21) Appl. No.: **29/383,501**

(22) Filed: **Jan. 18, 2011**

(51) **LOC (9) Cl.** ..... **12-06**

(52) **U.S. Cl.**  
USPC ..... **D12/215**

(58) **Field of Classification Search**  
USPC ..... D12/215, 2, 3, 300, 317; D8/356,  
D8/382; 114/293, 294, 302, 303, 310, 210,  
114/382

See application file for complete search history.

(56) **References Cited**

**U.S. PATENT DOCUMENTS**

2,837,050	A *	6/1958	Frank	.....	114/210
3,106,181	A *	10/1963	Dare	.....	114/210
3,143,993	A *	8/1964	Salerno	.....	114/210
3,158,128	A *	11/1964	Sarns	.....	114/210
3,595,194	A *	7/1971	Wolff	.....	114/210
3,826,214	A *	7/1974	Bond	.....	114/210
4,058,074	A *	11/1977	Hungerford	.....	114/210
4,078,512	A *	3/1978	Rossini	.....	114/210
4,248,171	A *	2/1981	Barbour	.....	114/210
D259,329	S *	5/1981	Barbour	.....	D8/356

4,913,076	A *	4/1990	Norton	.....	114/210
D319,777	S *	9/1991	Granger	.....	D12/215
D323,483	S *	1/1992	Patten	.....	D12/317
5,394,818	A *	3/1995	Walker et al.	.....	114/294
5,996,524	A *	12/1999	Johnson	.....	114/210

\* cited by examiner

*Primary Examiner* — Caron D Veynar

*Assistant Examiner* — Martie K Holtje

(74) *Attorney, Agent, or Firm* — QuickPatents; Kevin Prince

(57) **CLAIM**

The ornamental design for an anchor retainer, as shown and described.

**DESCRIPTION**

FIG. 1 is a perspective view of an anchor retainer, showing the new design;

FIG. 2 is an enlarged perspective view thereof;

FIG. 3 is a left side elevational view of FIG. 2;

FIG. 4 is a right side elevational view of FIG. 2;

FIG. 5 is a front elevational view of FIG. 2;

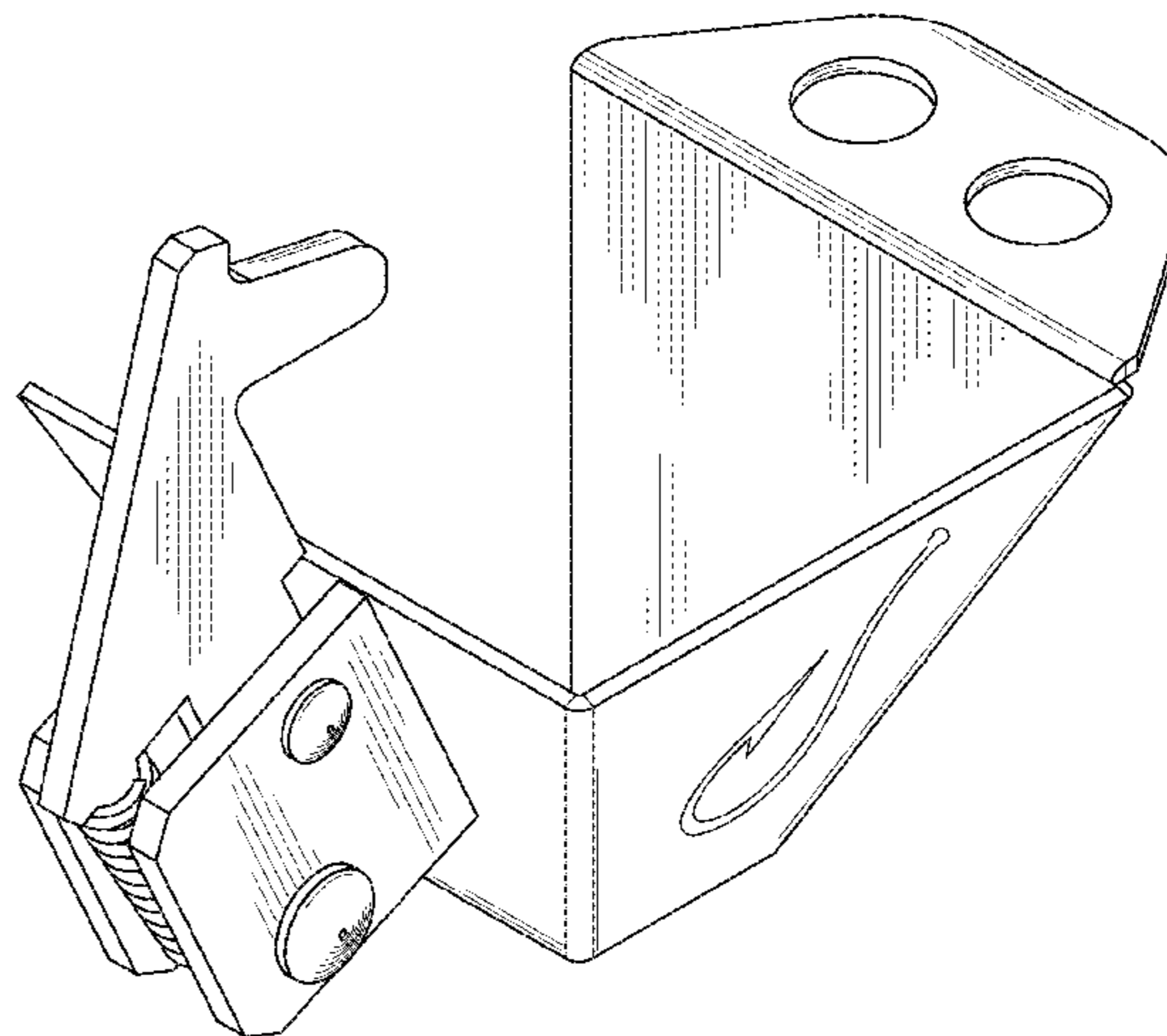
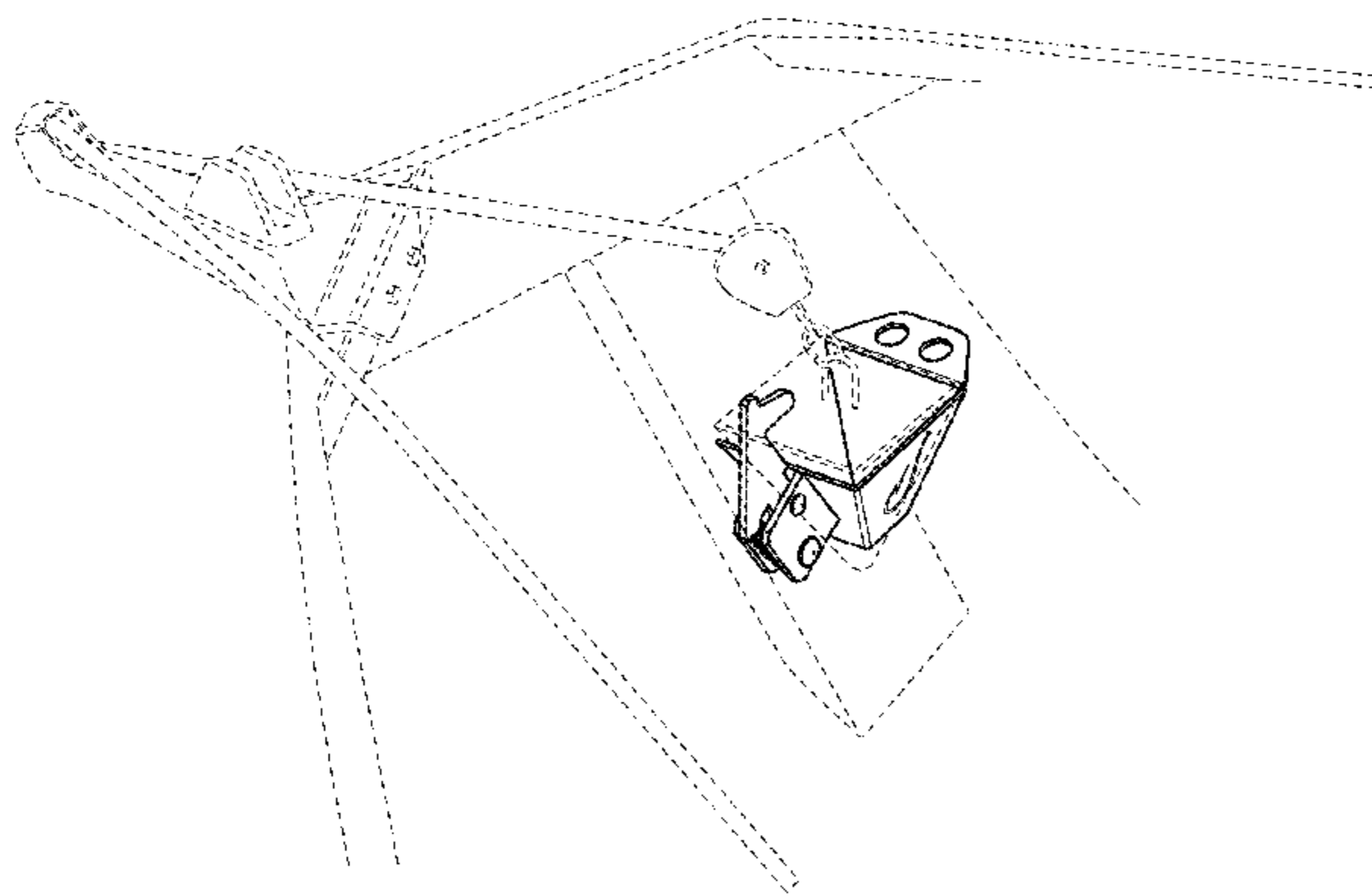
FIG. 6 is a rear elevational view of FIG. 2;

FIG. 7 is a top plan view of FIG. 2; and,

FIG. 8 is a bottom plan view of FIG. 2.

The broken lines showing a boat in FIG. 1 and an anchor in FIGS. 1 and 5 are included for the purpose of illustrating the invention in use, and form no part of the claimed design.

**1 Claim, 5 Drawing Sheets**



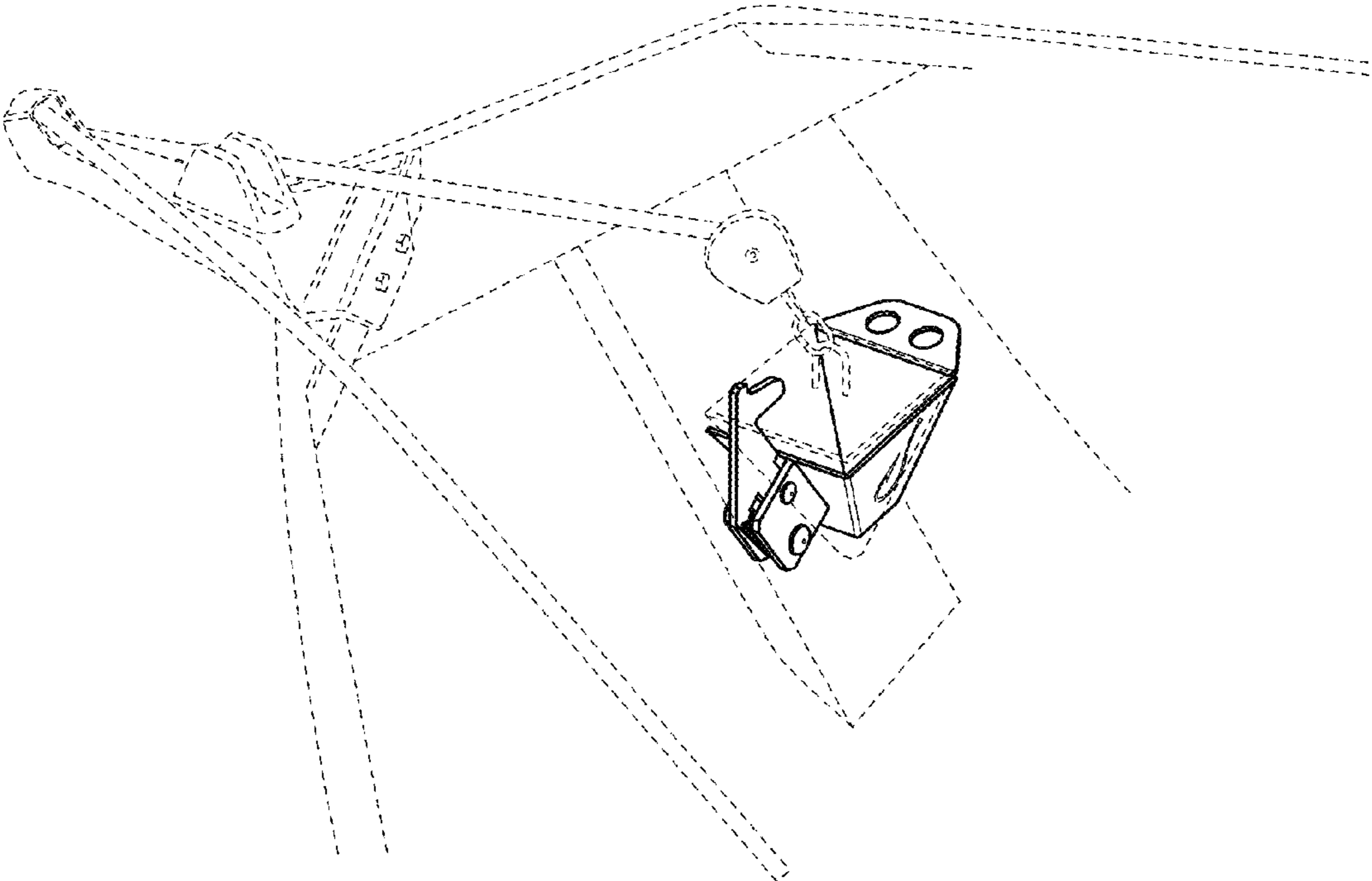


FIG. 1

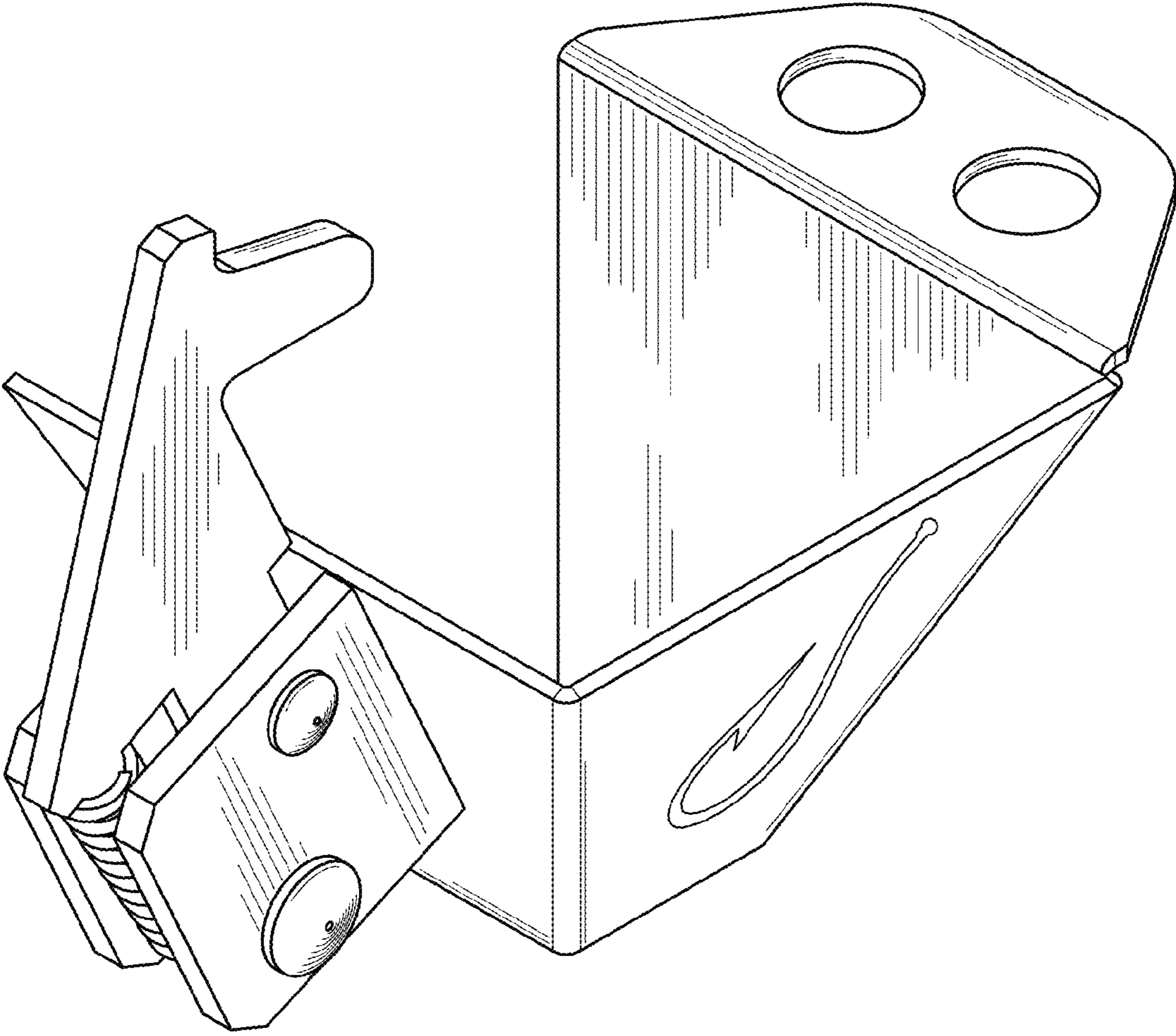


FIG. 2

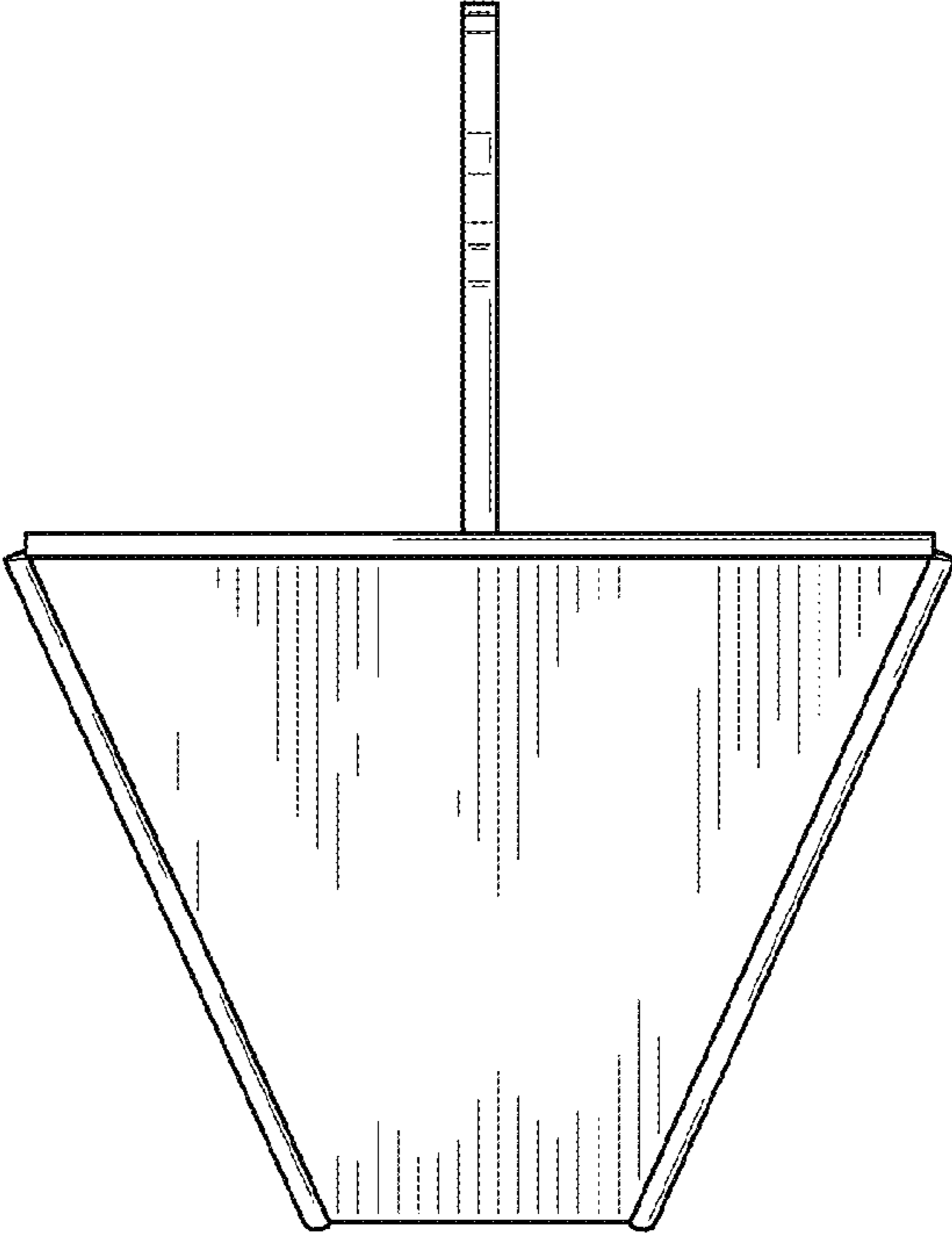


FIG. 3

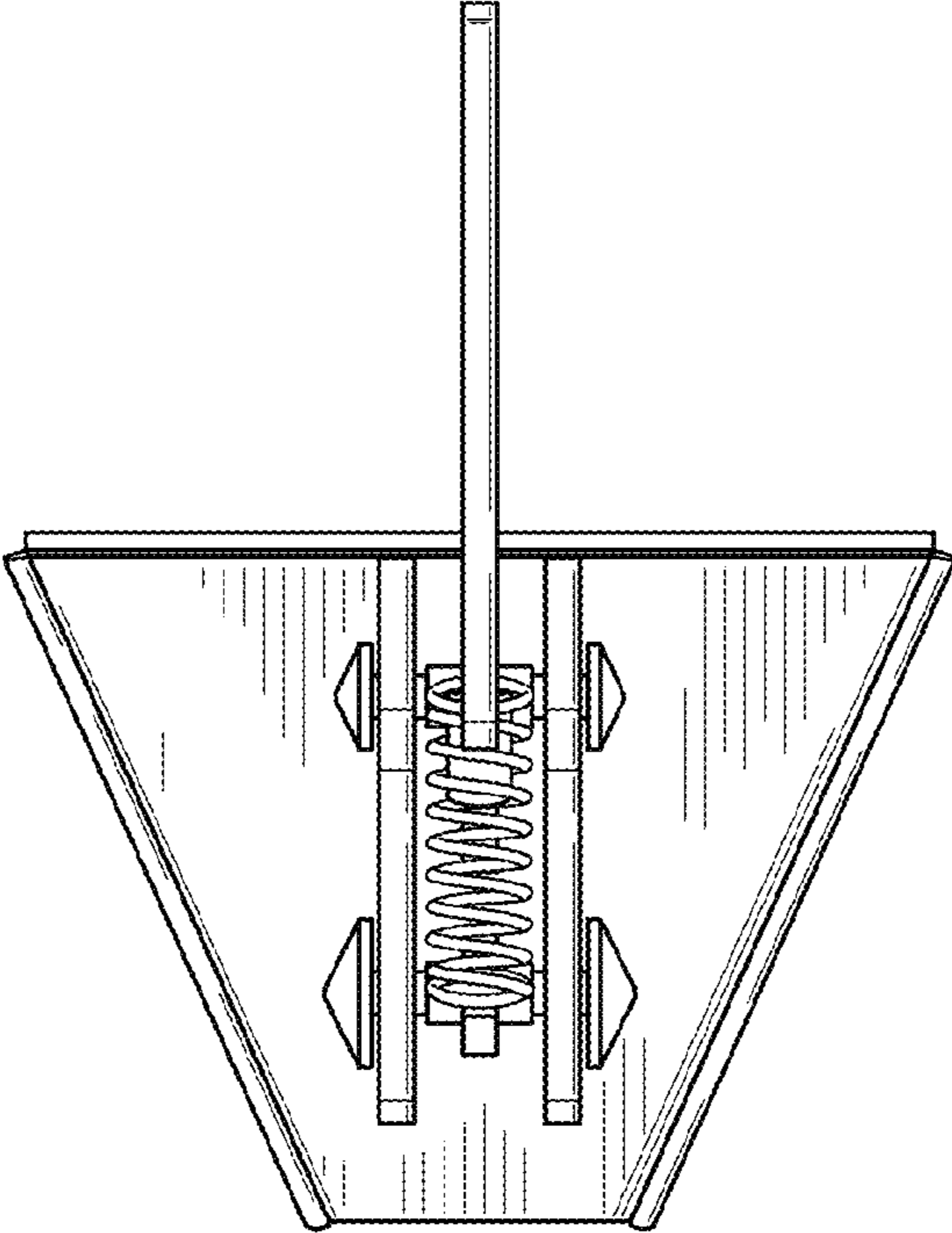


FIG. 4

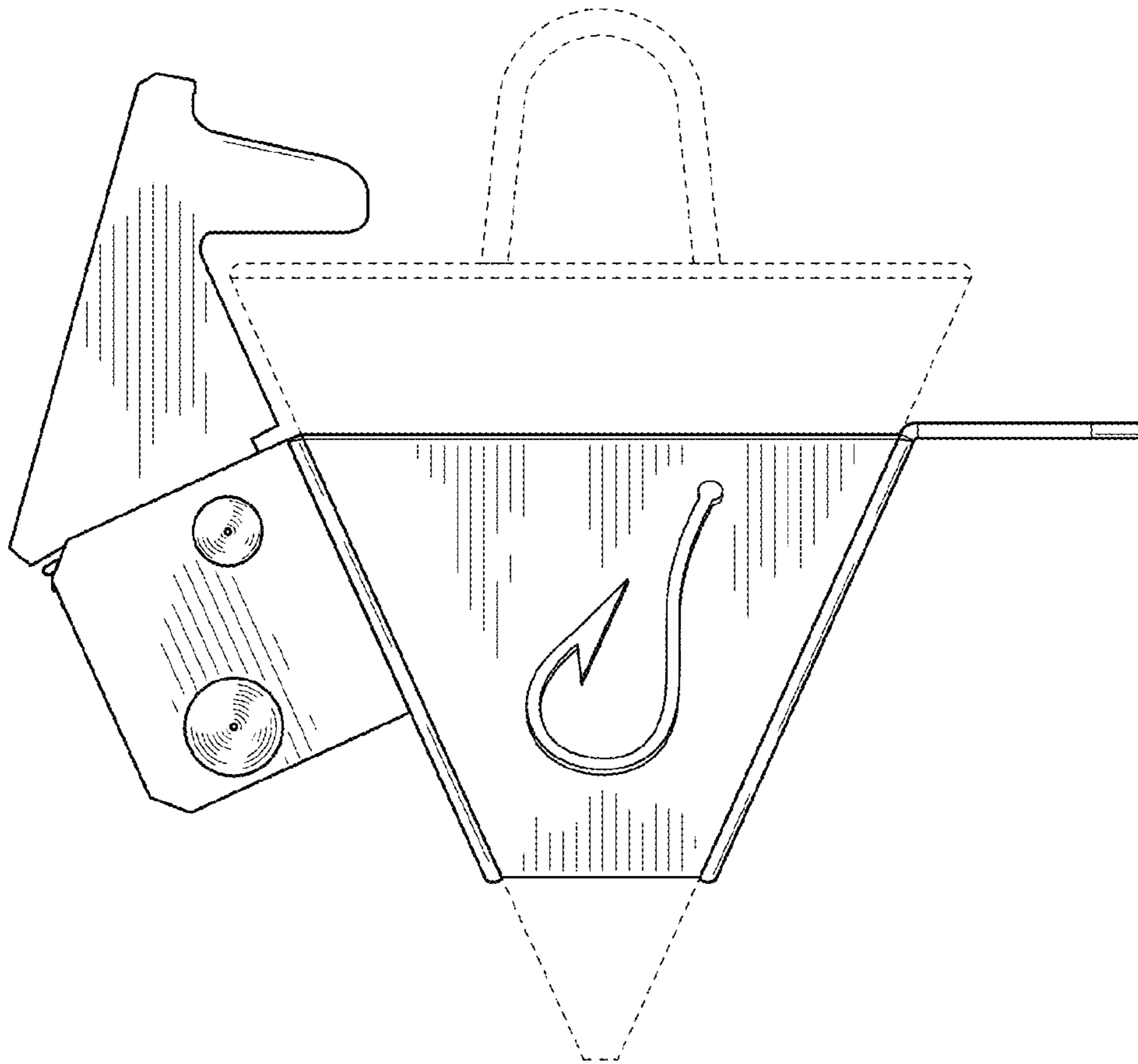


FIG. 5

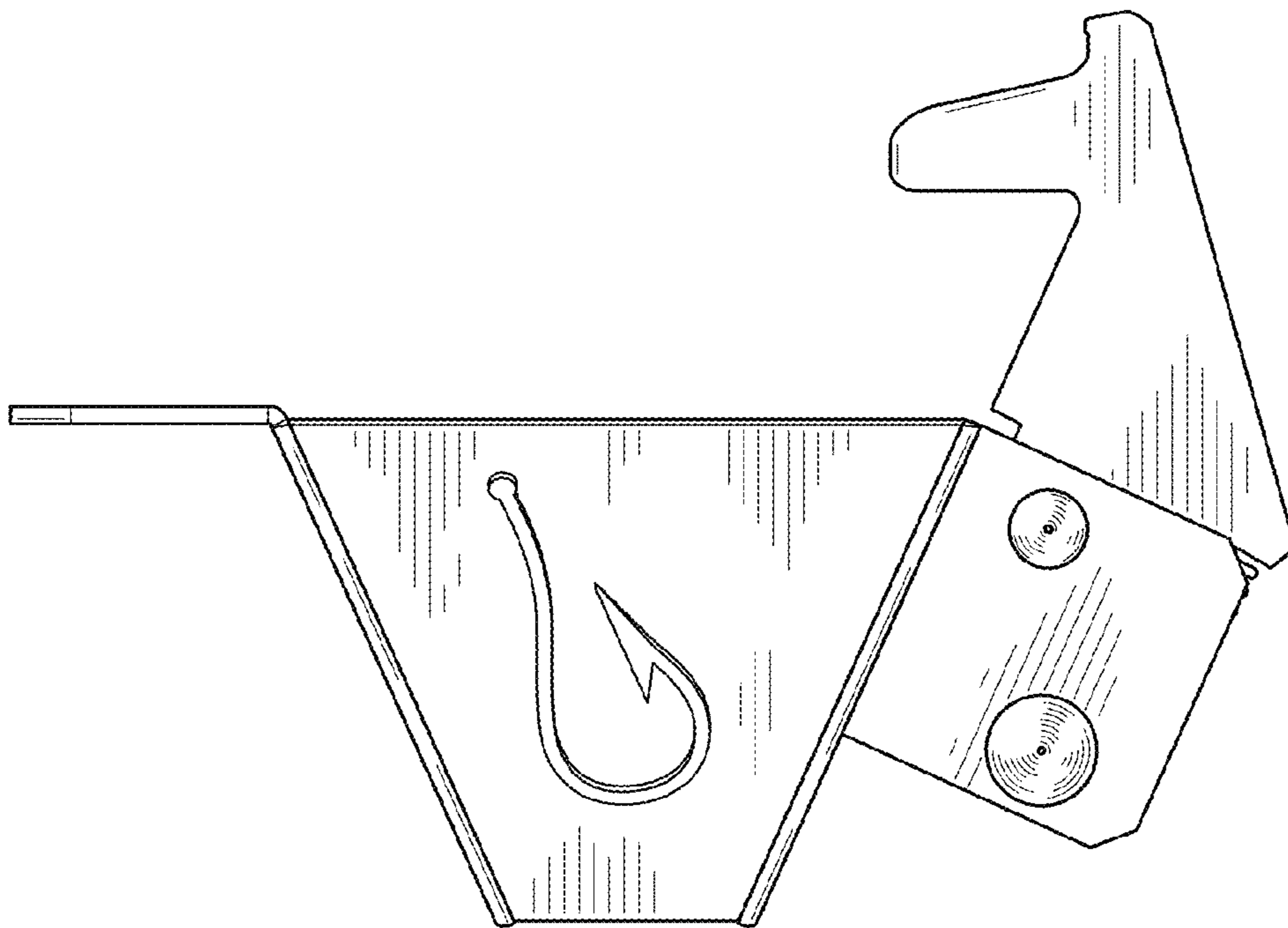


FIG. 6

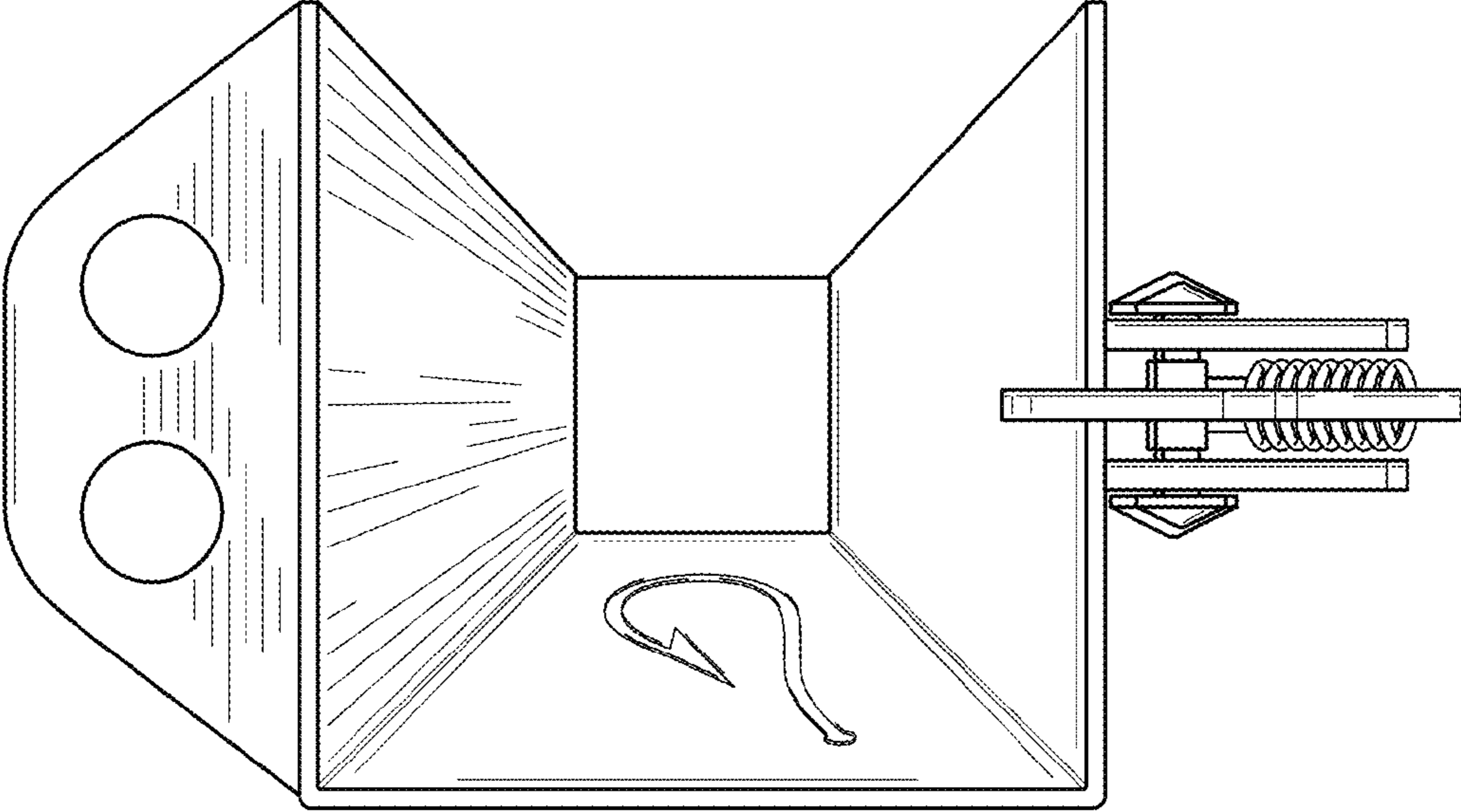


FIG. 7

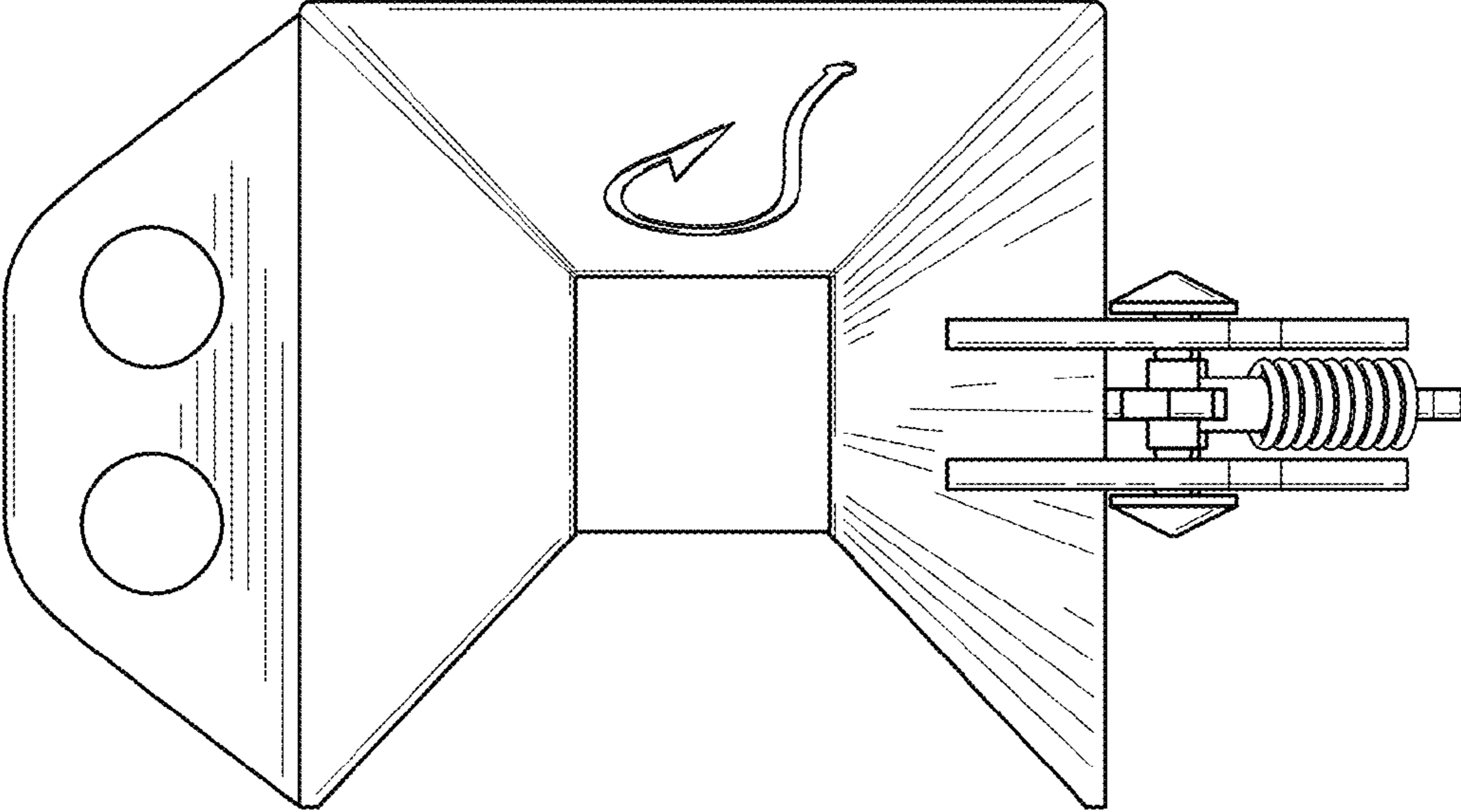


FIG. 8