



US00D685311S

(12) **United States Design Patent**
Alfonso

(10) **Patent No.:** **US D685,311 S**
(45) **Date of Patent:** **** Jul. 2, 2013**

(54) **AUTOMOBILE WHEEL**

(71) Applicant: **Ernie R. Alfonso**, Pomona, CA (US)

(72) Inventor: **Ernie R. Alfonso**, Pomona, CA (US)

(73) Assignee: **Direct Wheel Inc.**, Pomona, CA (US)

(**) Term: **14 Years**

(21) Appl. No.: **29/434,192**

(22) Filed: **Oct. 10, 2012**

(51) **LOC (9) Cl.** **12-16**

(52) **U.S. Cl.**
USPC **D12/211**

(58) **Field of Classification Search**
USPC D12/204-213; 301/37.101, 64.101,
301/65, 64.201

See application file for complete search history.

(56) **References Cited**

U.S. PATENT DOCUMENTS

D350,932 S *	9/1994	Echazabel et al.	D12/211
D500,726 S *	1/2005	Hettler	D12/211
D516,989 S *	3/2006	Baum	D12/211
D548,166 S *	8/2007	Young	D12/211
D558,117 S *	12/2007	Baum	D12/211
D584,210 S *	1/2009	Baum	D12/211
D591,661 S *	5/2009	Baum	D12/209
D593,017 S *	5/2009	Antoniadis et al.	D12/209
D615,917 S *	5/2010	Zhao	D12/211
D616,801 S *	6/2010	Zhao	D12/211

D617,718 S *	6/2010	Zhao	D12/211
D620,874 S *	8/2010	Zhao	D12/211
D622,201 S *	8/2010	Zhao	D12/211
D635,081 S *	3/2011	Tirado	D12/211
D655,234 S *	3/2012	Zhao	D12/211
D655,665 S *	3/2012	Zhao	D12/211
D657,298 S *	4/2012	Lee	D12/211
D657,299 S *	4/2012	Lee	D12/211

* cited by examiner

Primary Examiner — Stacia Cadmus

(74) *Attorney, Agent, or Firm* — Adli Law Group P.C.

(57) **CLAIM**

The ornamental design for an automobile wheel, as shown and described.

DESCRIPTION

FIG. 1 is a front elevational view of an automobile wheel, showing my new design with 10 spokes;

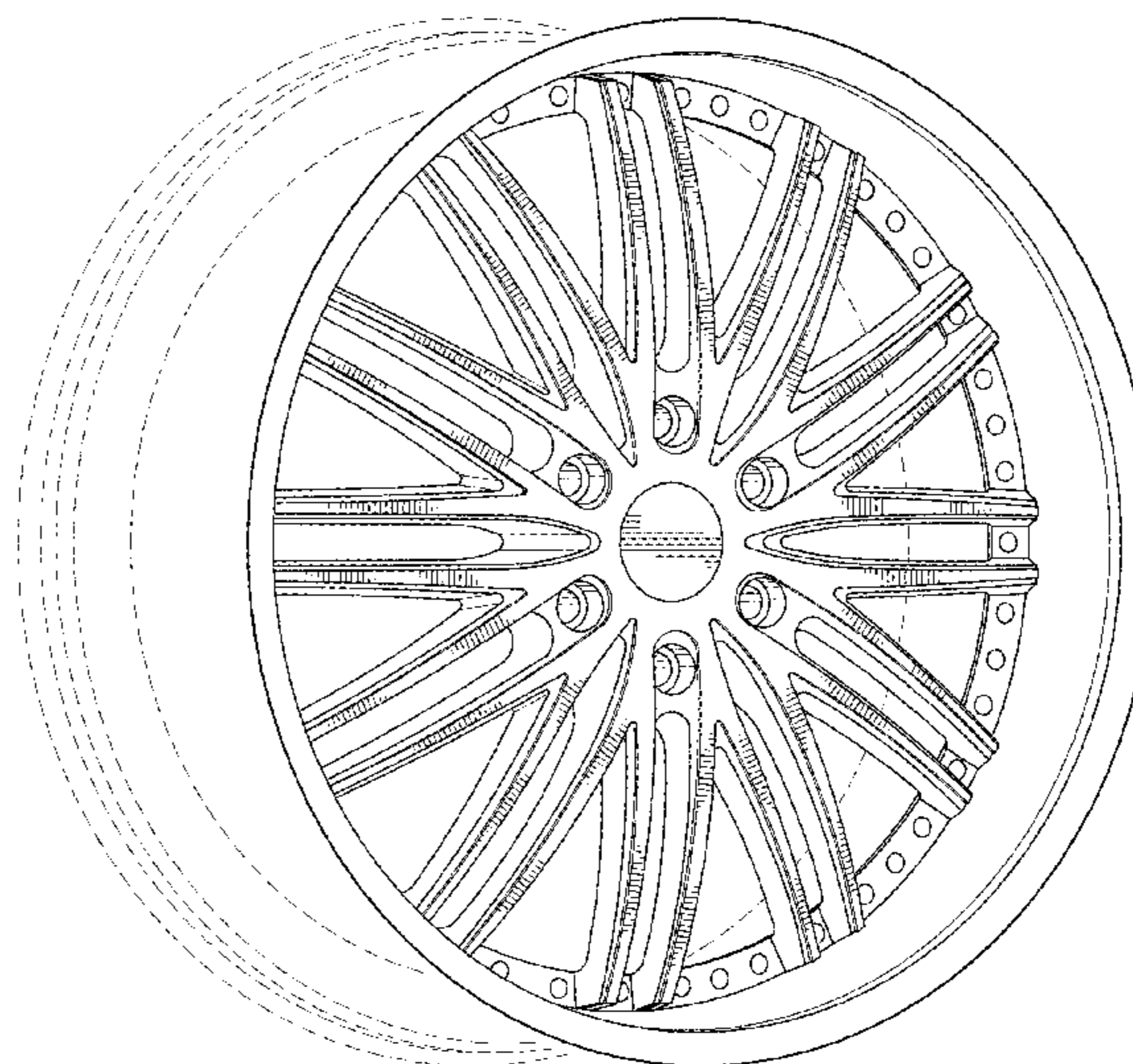
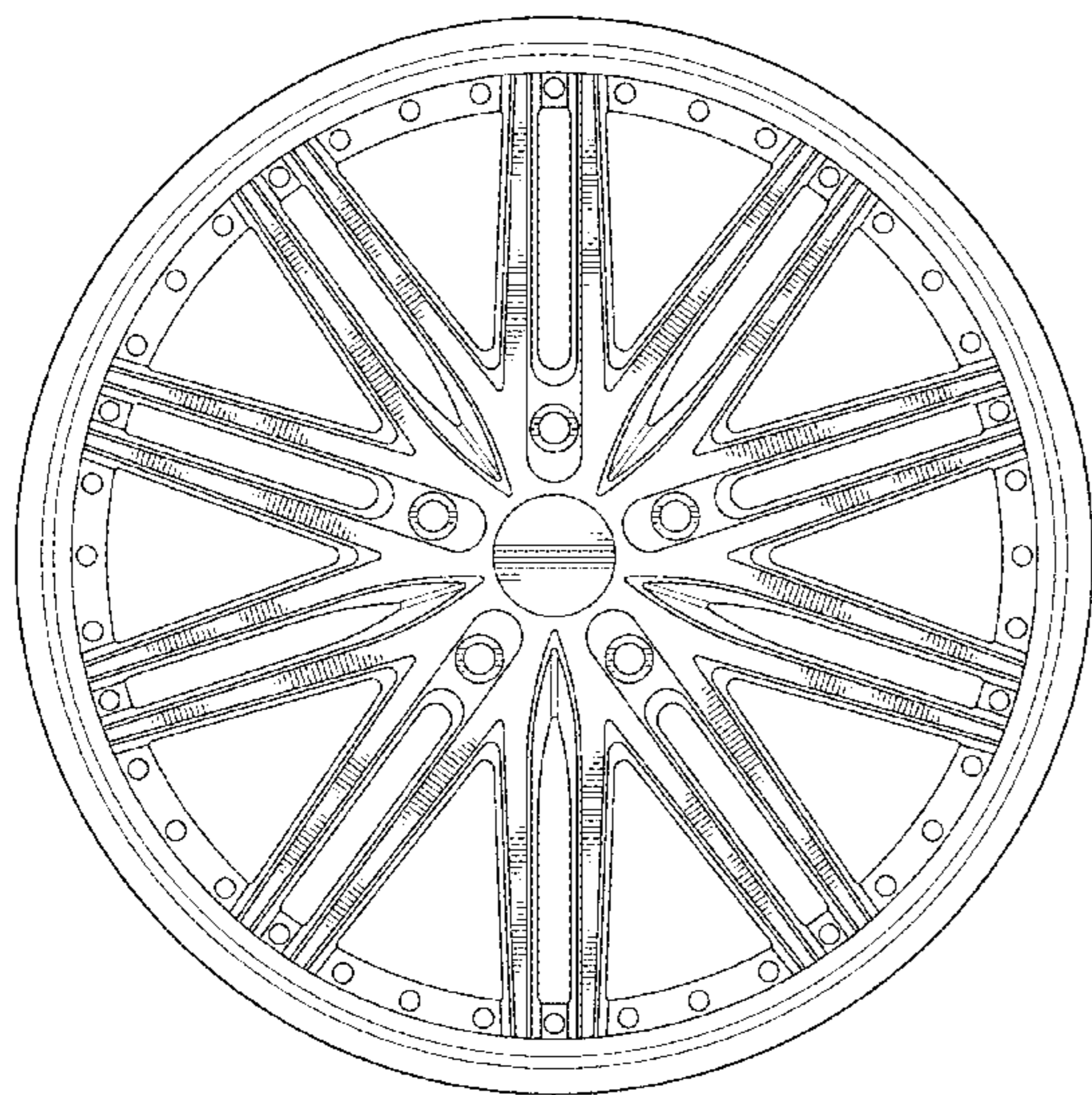
FIG. 2 is perspective view thereof;

FIG. 3 is a front elevational view of a second embodiment of an automobile wheel, showing my new design with 12 spokes; and,

FIG. 4 is perspective view thereof.

The broken line showing of the rear of the rim is included for the purpose of illustrating environment and forms no part of the claimed design.

1 Claim, 4 Drawing Sheets



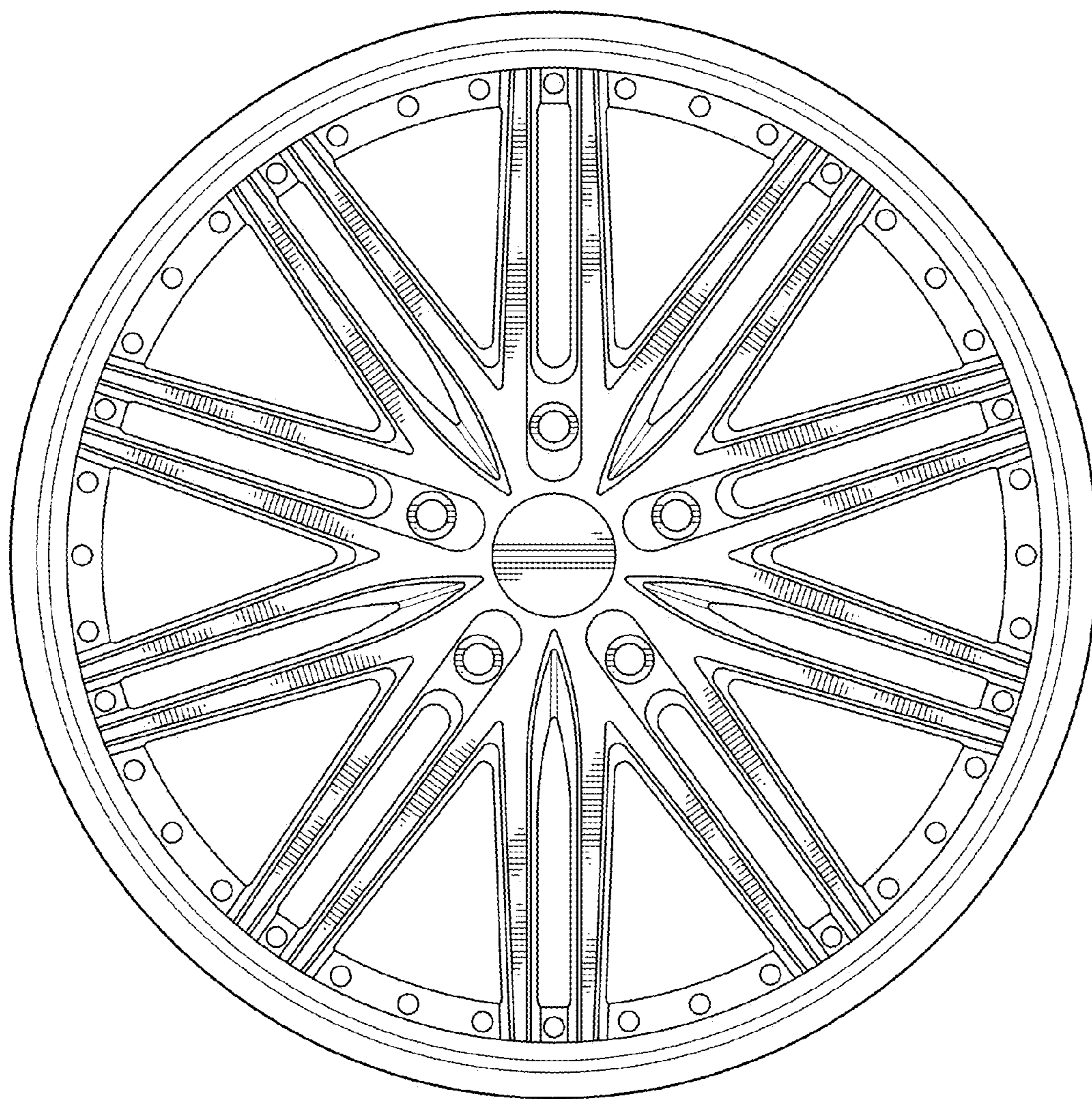


FIG. 1

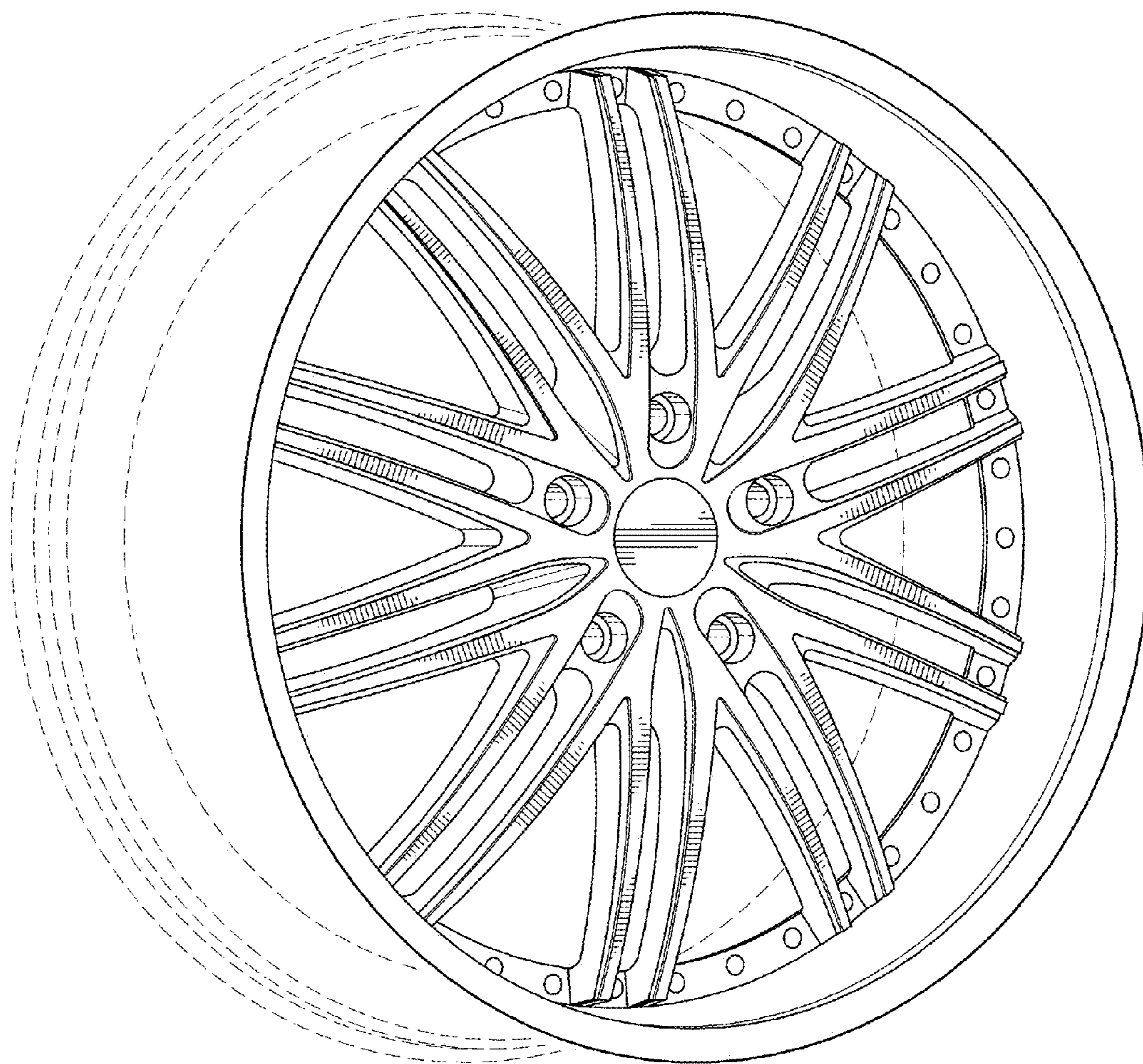


FIG. 2

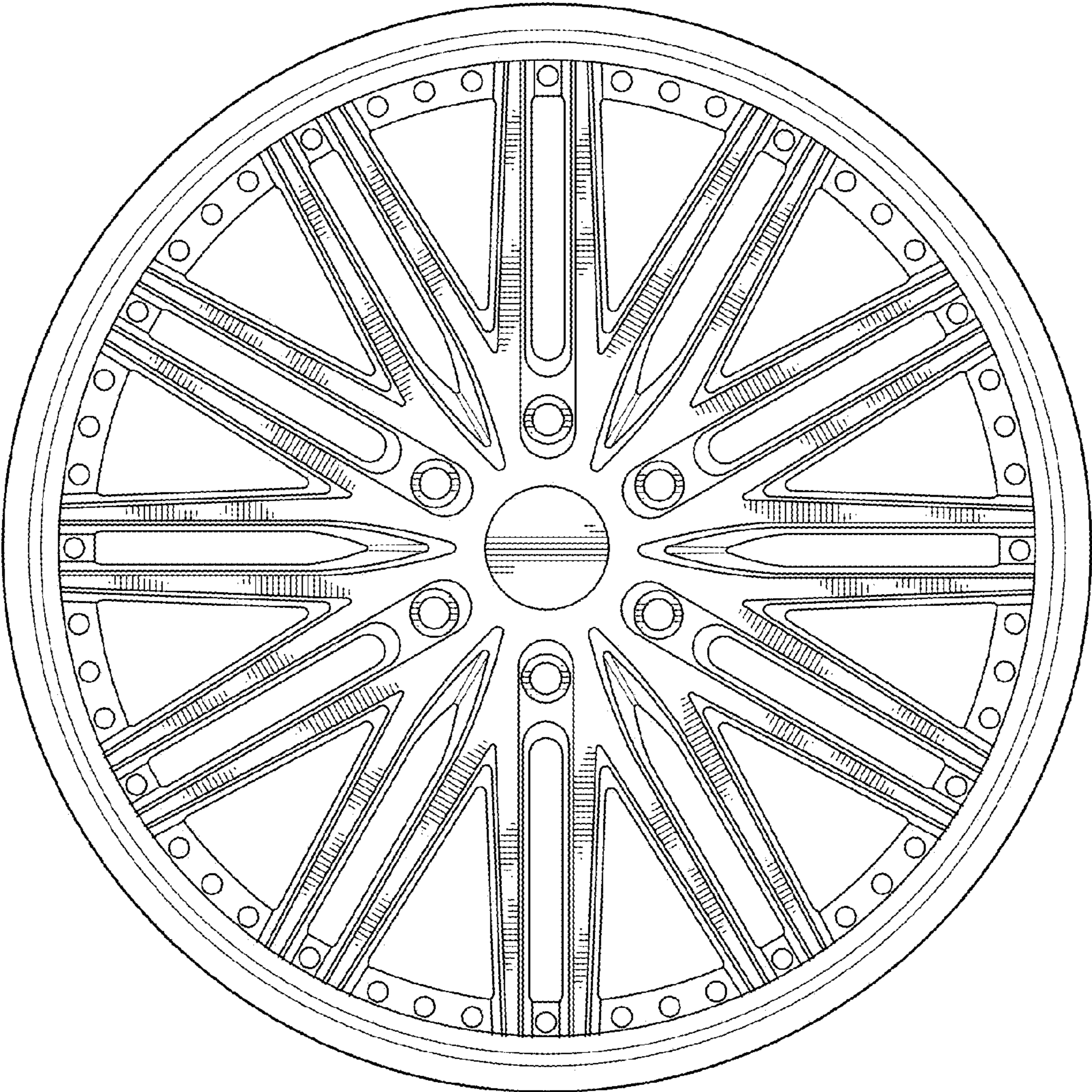


FIG. 3

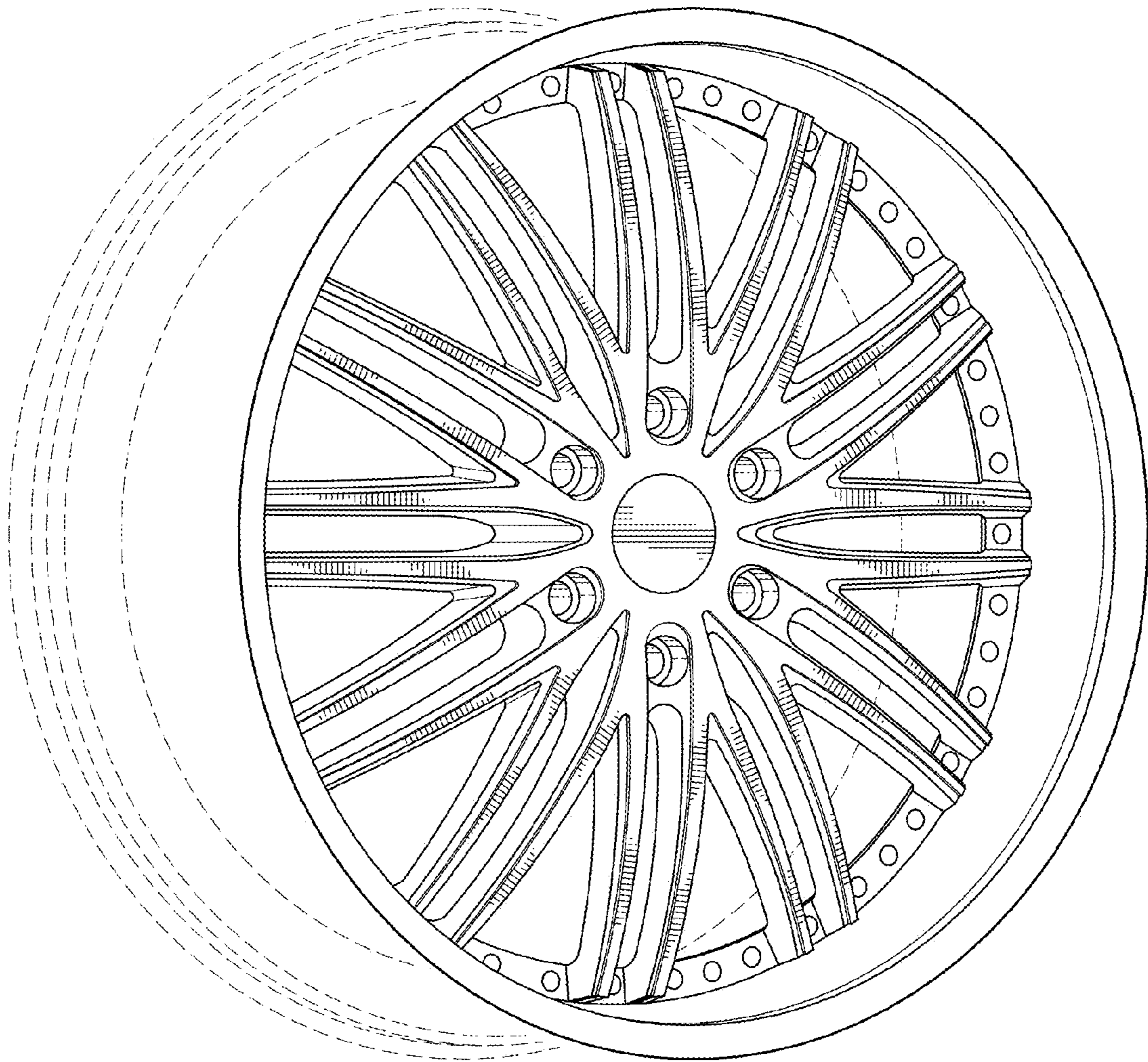


FIG. 4