



US00D685309S

(12) **United States Design Patent**
Alfonso

(10) **Patent No.:** **US D685,309 S**
(45) **Date of Patent:** **** Jul. 2, 2013**

(54) **AUTOMOBILE WHEEL**
(71) Applicant: **Ernie R. Alfonso**, Pomona, CA (US)
(72) Inventor: **Ernie R. Alfonso**, Pomona, CA (US)
(73) Assignee: **Direct Wheel Inc.**, Pomona, CA (US)
(**) Term: **14 Years**

(21) Appl. No.: **29/434,189**
(22) Filed: **Oct. 10, 2012**
(51) **LOC (9) Cl.** **12-16**
(52) **U.S. Cl.**
USPC **D12/209**
(58) **Field of Classification Search**
USPC D12/204-213; 301/37.101, 64.101,
301/65, 64.201
See application file for complete search history.

(56) **References Cited**
U.S. PATENT DOCUMENTS
D405,409 S * 2/1999 Baumgartner D12/211
D500,978 S * 1/2005 Echazabal D12/209
D527,332 S * 8/2006 Khan D12/211

D535,603 S * 1/2007 Guevara D12/209
D576,094 S * 9/2008 Bernoni D12/211
D616,800 S * 6/2010 Zhao D12/209
D635,076 S * 3/2011 De Bono D12/209
D636,320 S * 4/2011 Lamm et al. D12/211
D638,340 S * 5/2011 Park D12/209
D642,105 S * 7/2011 Chung D12/209
D649,921 S * 12/2011 Lucaora D12/209
D652,362 S * 1/2012 Lucaora D12/209
D662,025 S * 6/2012 Ettensberger D12/209

* cited by examiner

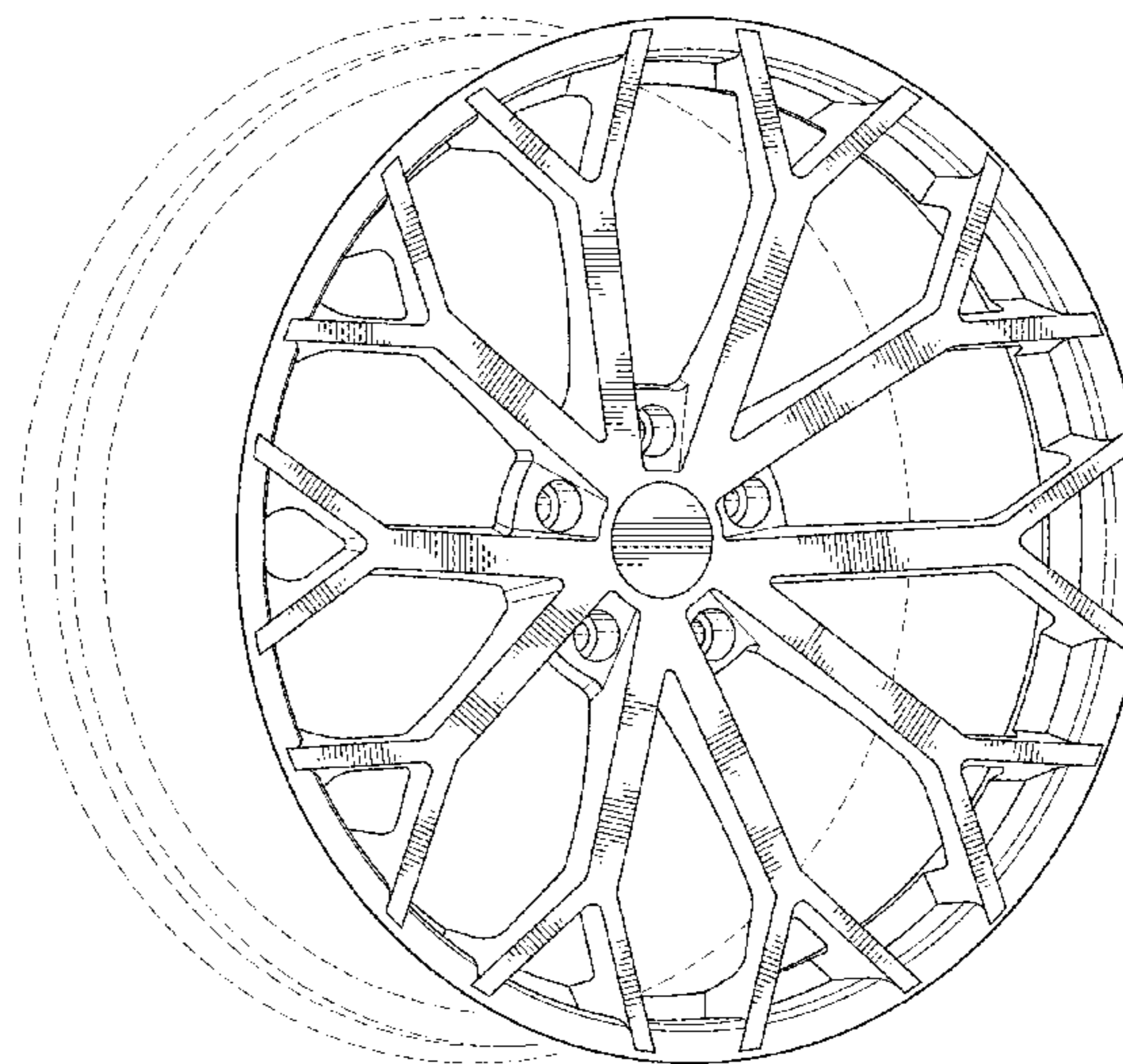
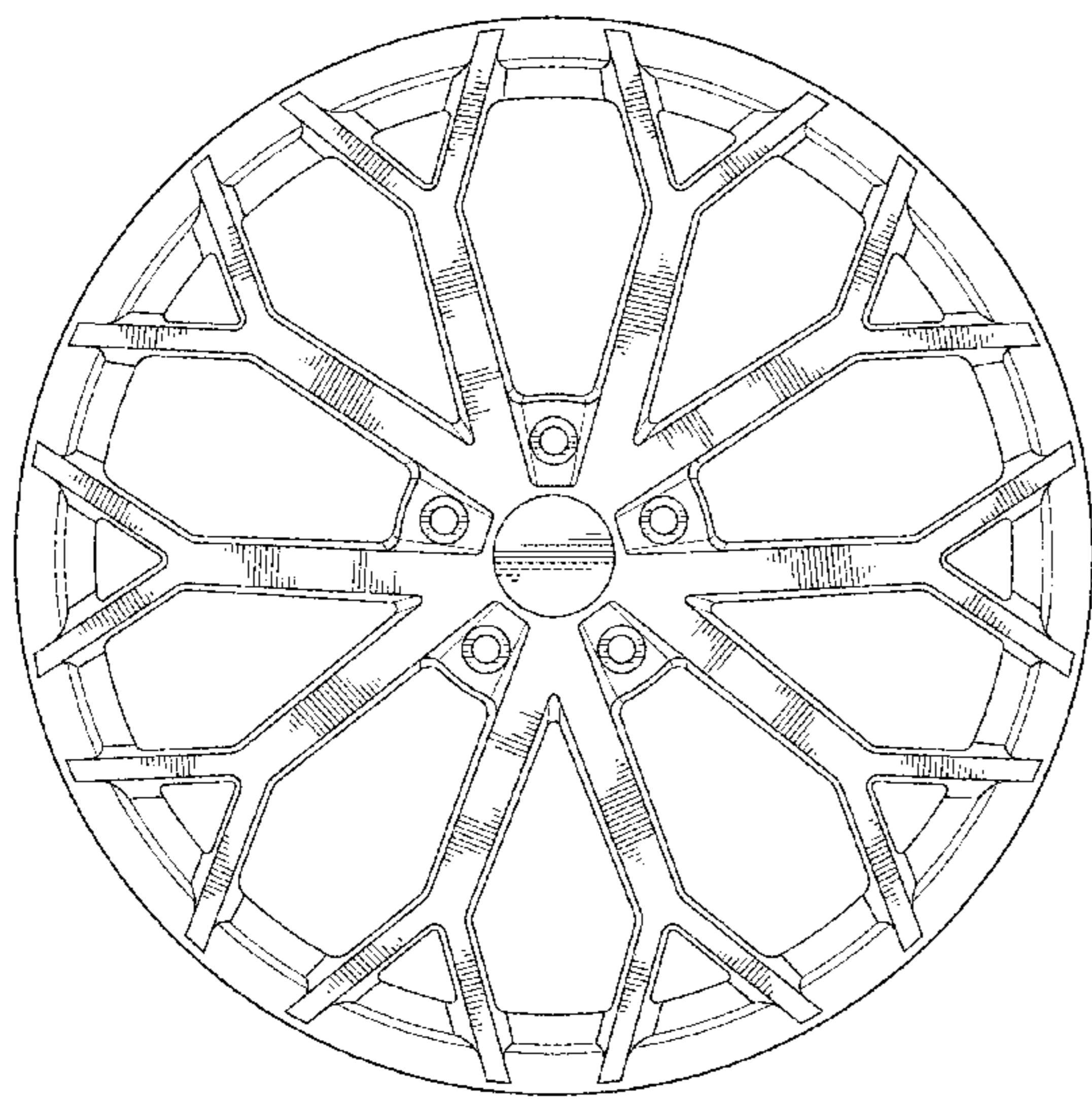
Primary Examiner — Stacia Cadmus
(74) *Attorney, Agent, or Firm* — Adli Law Group P.C.

(57) **CLAIM**
The ornamental design for an automobile wheel, as shown and described.

DESCRIPTION

FIG. 1 is a front elevational view of an automobile wheel, showing my new design; and, FIG. 2 is perspective view thereof. The broken line showing of the rear of the rim is included for the purpose of illustrating environment and forms no part of the claimed design.

1 Claim, 2 Drawing Sheets



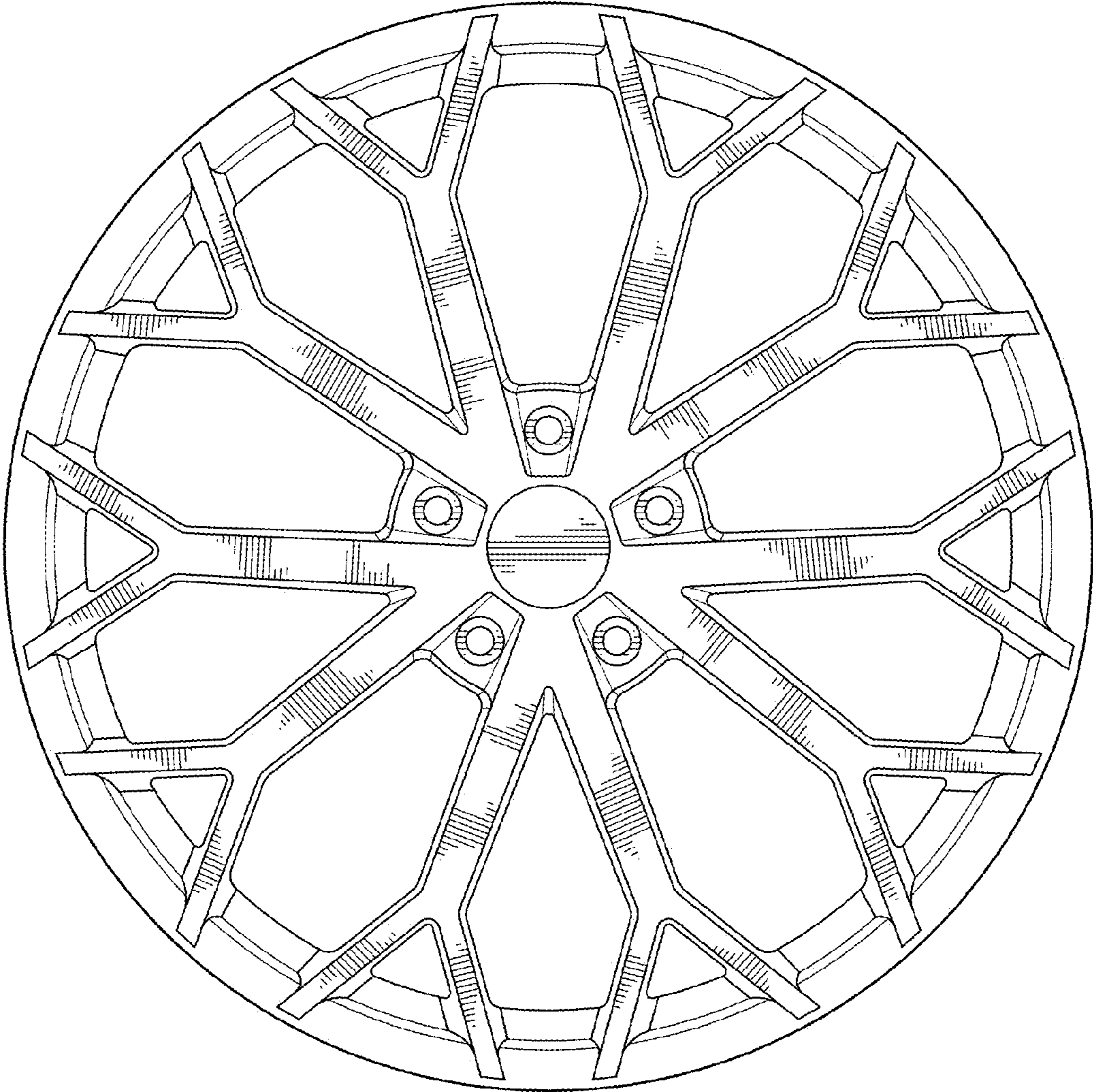


FIG. 1

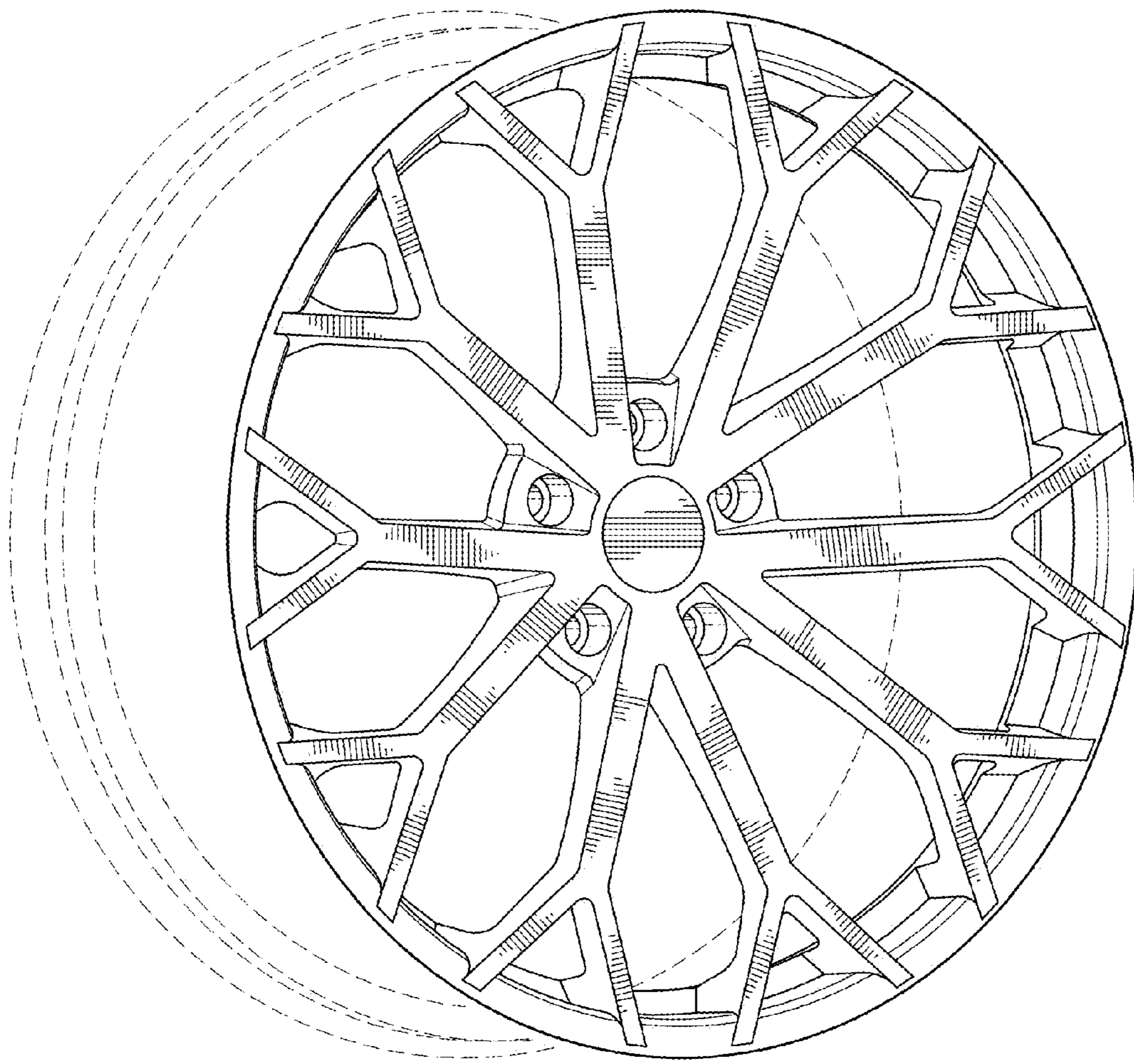


FIG. 2