



US00D685308S

(12) **United States Design Patent**
Verlengiere

(10) **Patent No.:** **US D685,308 S**

(45) **Date of Patent:** **** Jul. 2, 2013**

(54) **MUFFLER**

(76) **Inventor:** **Arthur R. Verlengiere**, Santa Maria, CA
(US)

(**) **Term:** **14 Years**

(21) **Appl. No.:** **29/418,179**

(22) **Filed:** **Apr. 12, 2012**

(51) **LOC (9) Cl.** **12-16**

(52) **U.S. Cl.**
USPC **D12/194**

(58) **Field of Classification Search**
USPC D12/194; 60/303, 313, 323; 29/890.08;
293/113; D15/5; 181/227-228, 239-241,
181/264, 282, 247-249; 180/89.2, 296, 309;
138/37-39, 44, 103, 109
See application file for complete search history.

(56) **References Cited**

U.S. PATENT DOCUMENTS

1,027,469	A *	5/1912	Forney	181/263
1,953,120	A *	4/1934	Miller	422/171
2,189,425	A *	2/1940	Leadbetter	181/272
2,815,088	A *	12/1957	Gibel	181/230
2,855,068	A *	10/1958	Chapel	181/252
3,186,804	A *	6/1965	Fisher	422/171
3,218,134	A *	11/1965	Walsh	422/183
3,894,611	A *	7/1975	Raudman, Jr.	181/237
5,765,257	A *	6/1998	Steger et al.	15/326

D458,570	S *	6/2002	Wang	D12/194
6,443,255	B1 *	9/2002	Shavender, Jr.	181/250
D465,181	S *	11/2002	Wang	D12/194
D467,210	S *	12/2002	Yu	D12/194
D534,111	S *	12/2006	Wannamaker	D12/194

* cited by examiner

Primary Examiner — Michael A Pratt

(74) *Attorney, Agent, or Firm* — John Alumit

(57) **CLAIM**

I claim the ornamental design for a muffler, as shown and described herein.

DESCRIPTION

Portions of the disclosure of this patent document contain material that is subject to copyright protection. The copyright owner has no objection to the facsimile reproduction by anyone of the patent document or the patent disclosure as it appears in the Patent and Trademark Office the or records, but otherwise reserves all copyright rights whatsoever.

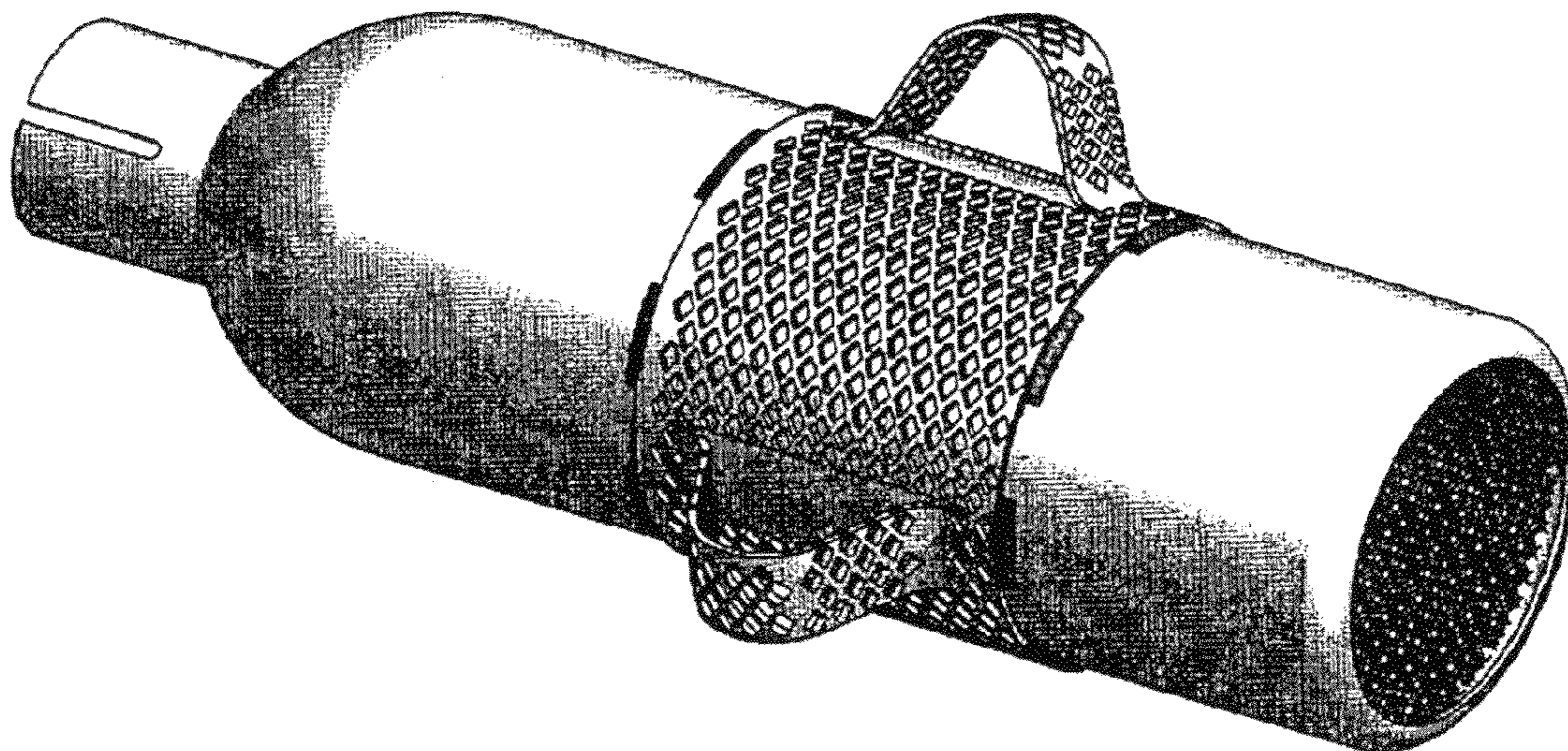
FIG. 1 is a perspective view of a muffler according to the new design.

FIG. 2 is a side view of the muffler according to the new design.

FIG. 3 is a top view of the muffler according to the new design; and,

FIG. 4 is a bottom view of the muffler according to the new design.

1 Claim, 1 Drawing Sheet



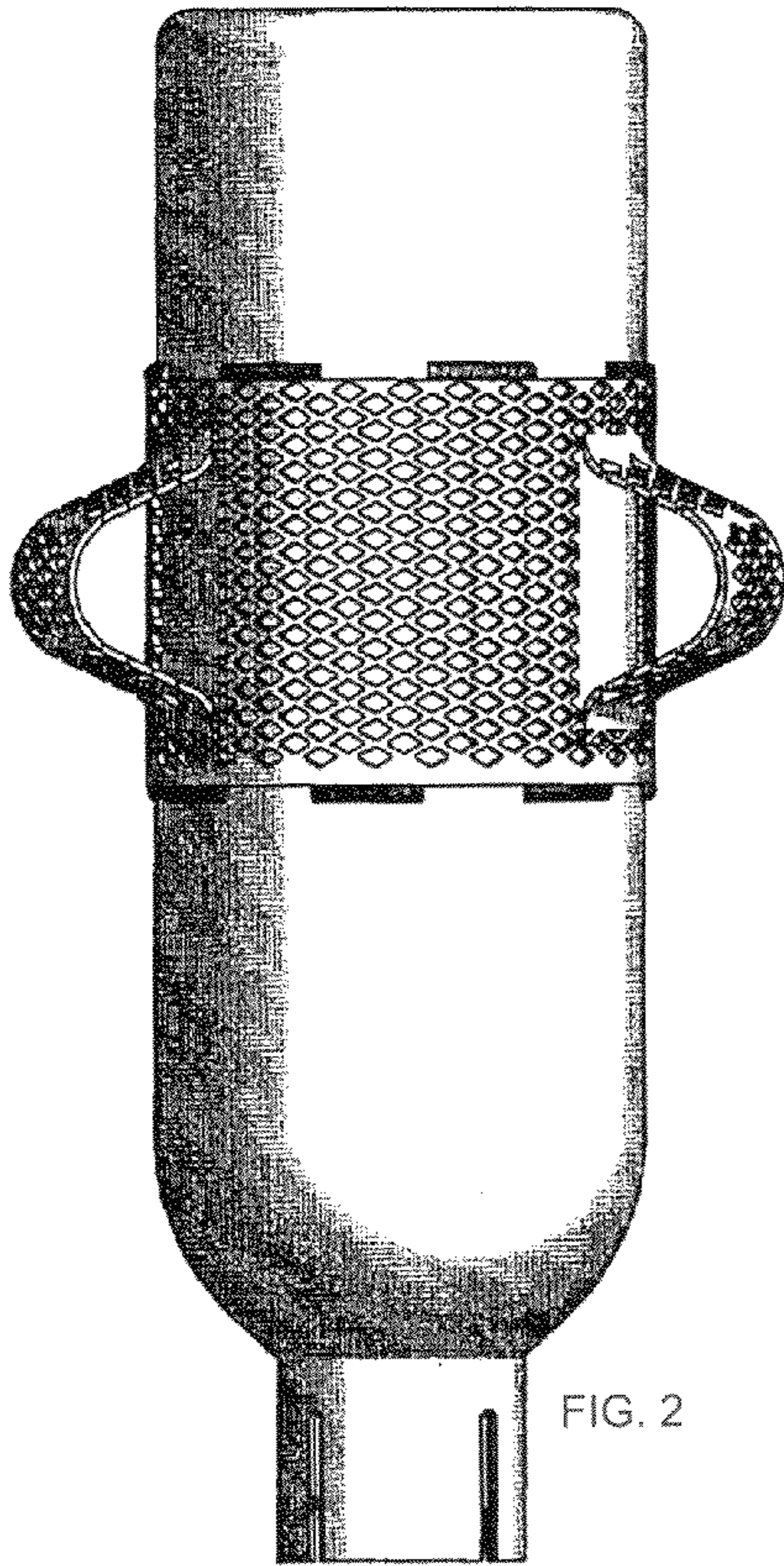


FIG. 2

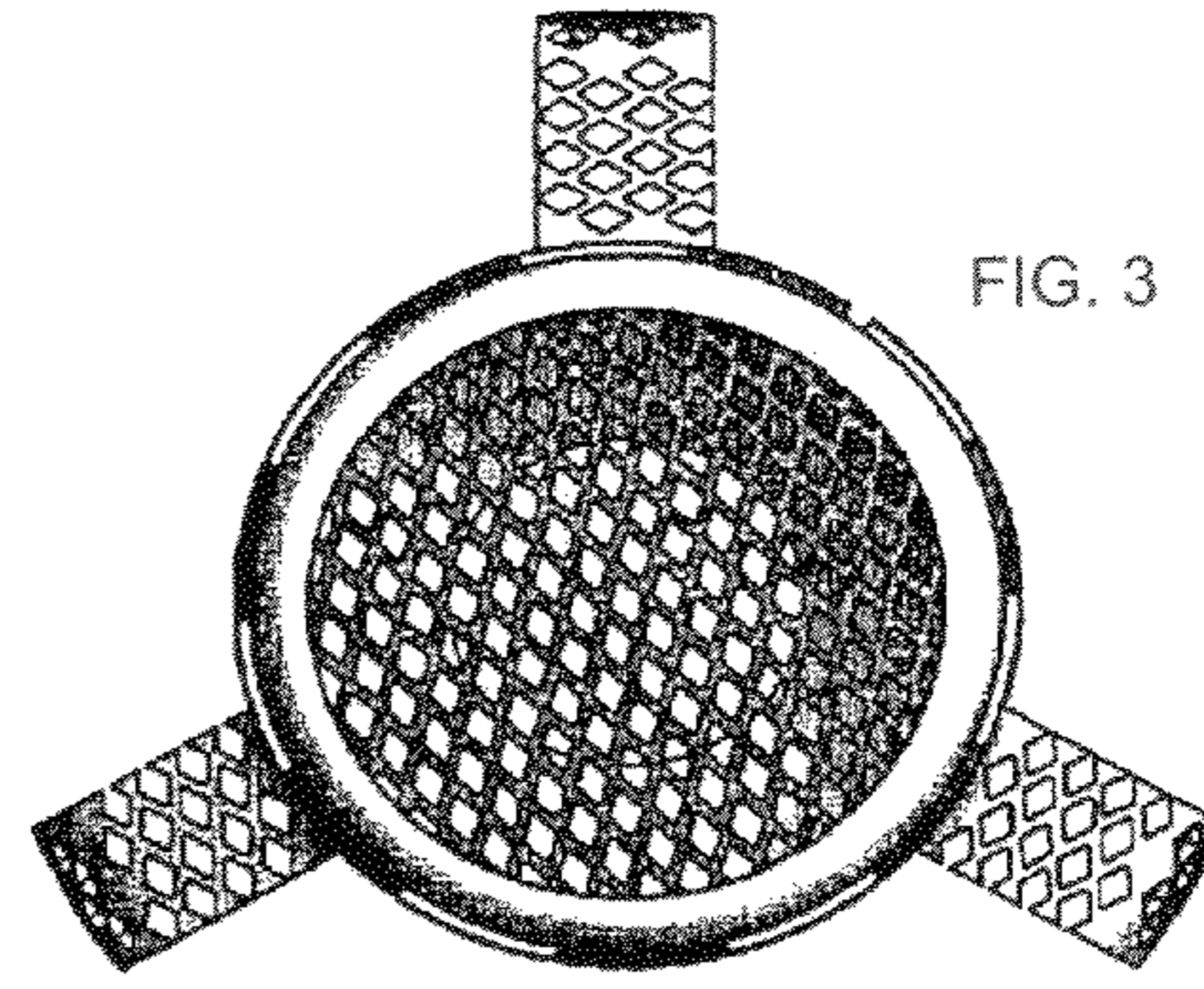


FIG. 3

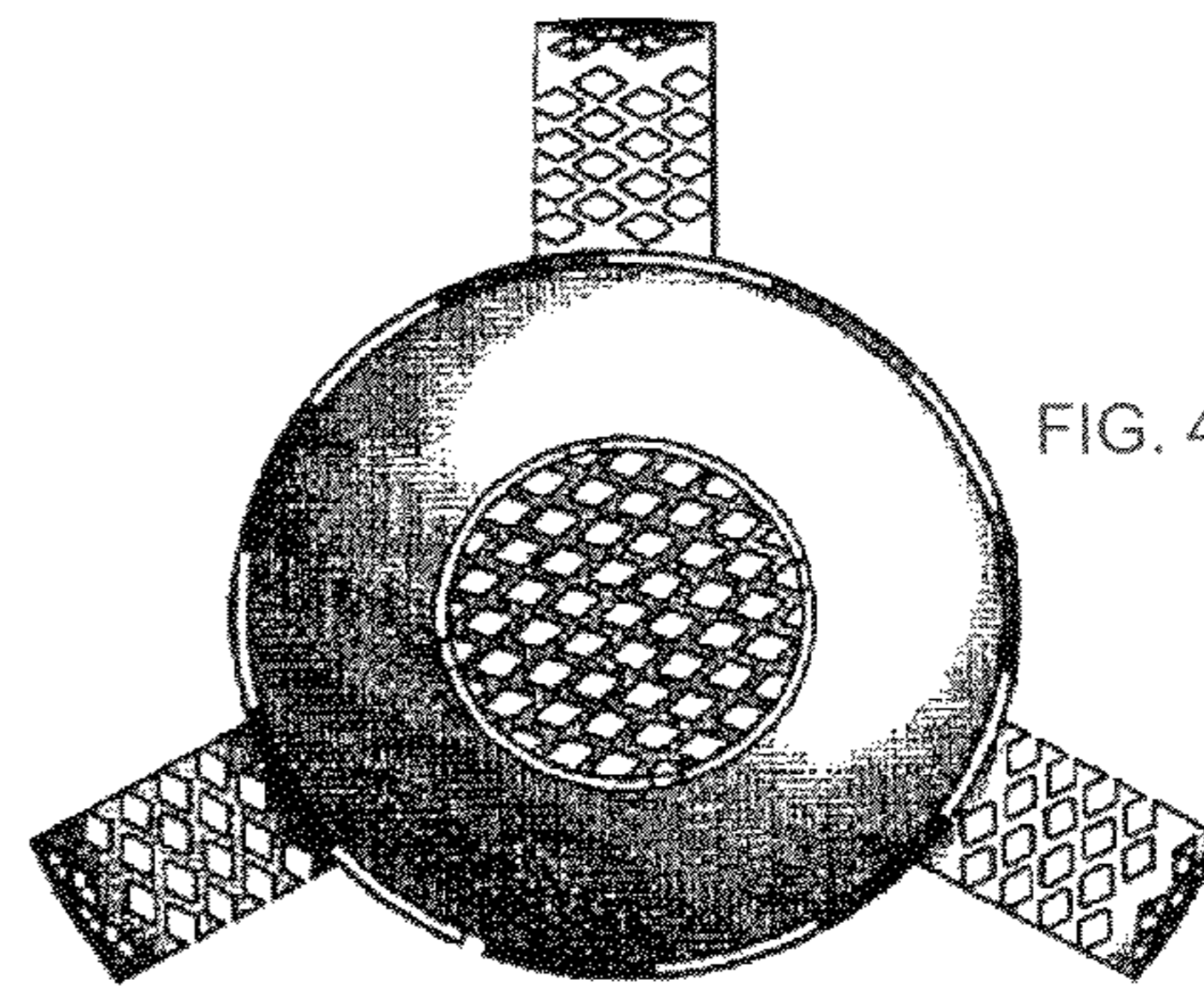


FIG. 4

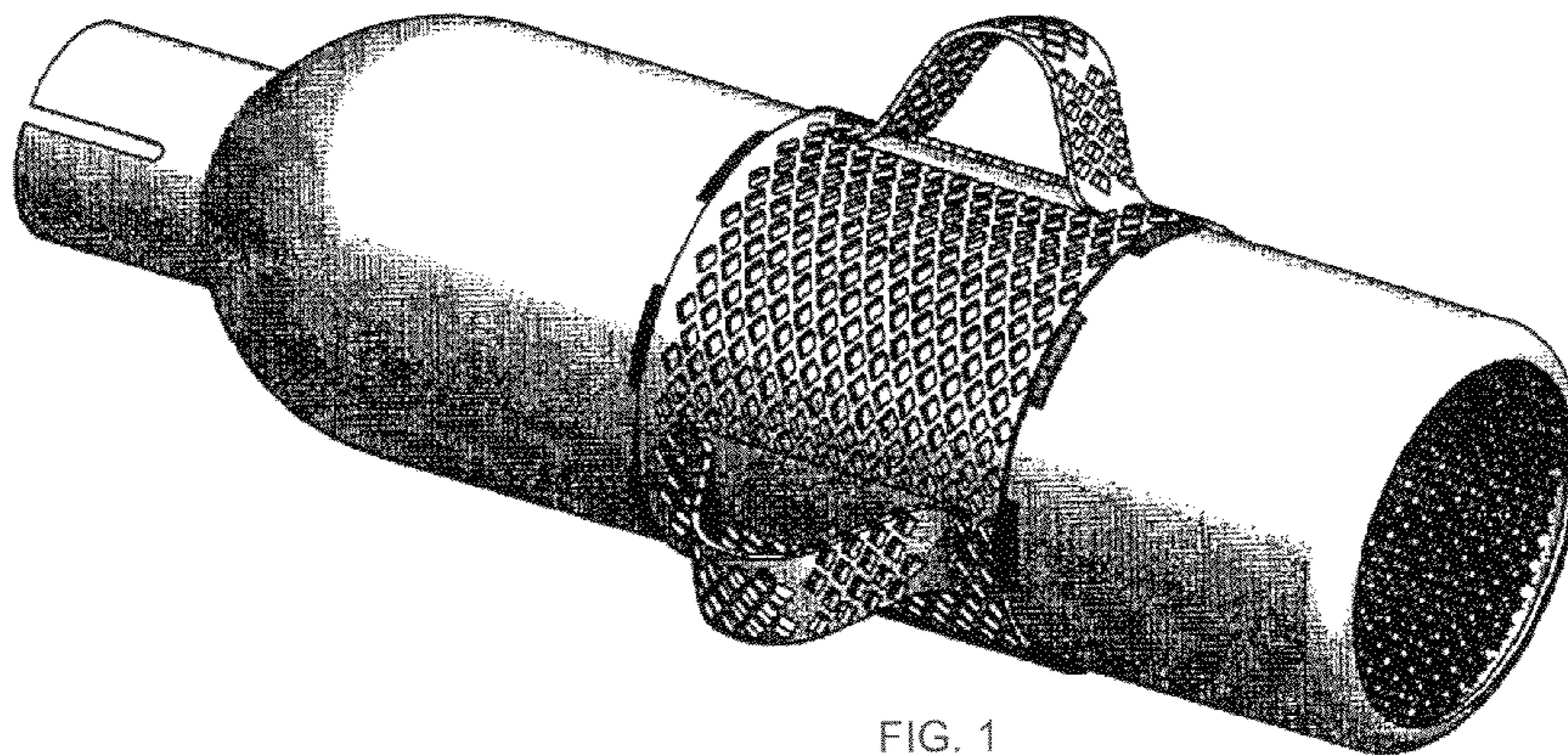


FIG. 1