



US00D685307S

(12) **United States Design Patent**
Chung

(10) **Patent No.:** **US D685,307 S**
(45) **Date of Patent:** **** Jul. 2, 2013**

(54) **FULL FRAMED LICENSE PLATE CAMERA WITH LED WHITE LIGHTS**

(71) Applicant: **Dae Kwon Chung**, Fullerton, CA (US)

(72) Inventor: **Dae Kwon Chung**, Fullerton, CA (US)

(73) Assignee: **Vision Tech America, Inc.**, Fullerton, CA (US)

(**) Term: **14 Years**

(21) Appl. No.: **29/435,839**

(22) Filed: **Oct. 29, 2012**

(51) **LOC (9) Cl.** **12-16**

(52) **U.S. Cl.**
USPC **D12/193**

(58) **Field of Classification Search**
USPC D12/193; D6/300-302, 310-314;
40/200-204, 207-214; D20/13; 348/148,
348/373; D16/218-219; 248/200; 340/435
See application file for complete search history.

(56) **References Cited**

U.S. PATENT DOCUMENTS

D274,807 S * 7/1984 Stansbury et al. D12/193
D411,499 S * 6/1999 Porter D12/193
D496,312 S * 9/2004 Sybilrud et al. D12/193

7,106,183 B2 * 9/2006 Hong 340/435
D537,765 S * 3/2007 Porter D12/193
D577,050 S * 9/2008 Dayan D16/219
D578,049 S * 10/2008 Son D12/193
D596,545 S * 7/2009 Son D12/193
7,883,064 B2 * 2/2011 Luft et al. 248/200
D644,973 S * 9/2011 Miyawaki D12/193
D672,297 S * 12/2012 Dong D12/193
2005/0198876 A1 * 9/2005 Chang et al. 40/209
2009/0128687 A1 * 5/2009 Woo 348/373

* cited by examiner

Primary Examiner — Stacia Cadmus

(74) *Attorney, Agent, or Firm* — John K. Park; Park Law Firm

(57) **CLAIM**

The ornamental design for a full framed license plate camera with LED white lights, as shown and described.

DESCRIPTION

FIG. 1 is a perspective view of a full framed license plate camera with LED white lights showing my new design; FIG. 2 is a front plan view thereof; FIG. 3 is a rear plan view thereof; FIG. 4 is a side plan view thereof; FIG. 5 is another side plan view thereof; and, FIG. 6 is a top plan view thereof. The broken line showing of environment is for illustrative purposes only and forms no part of the claimed design.

1 Claim, 3 Drawing Sheets

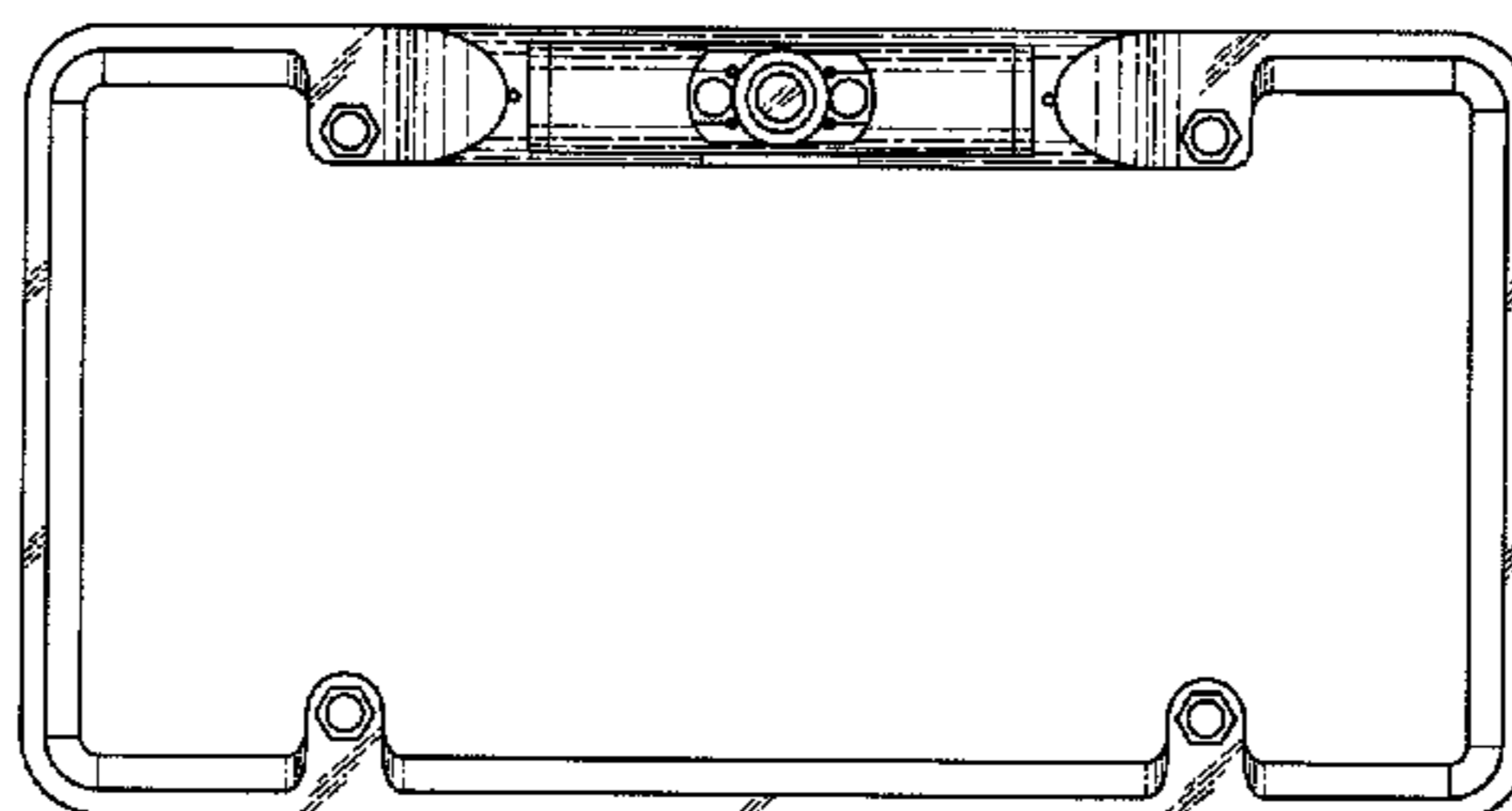
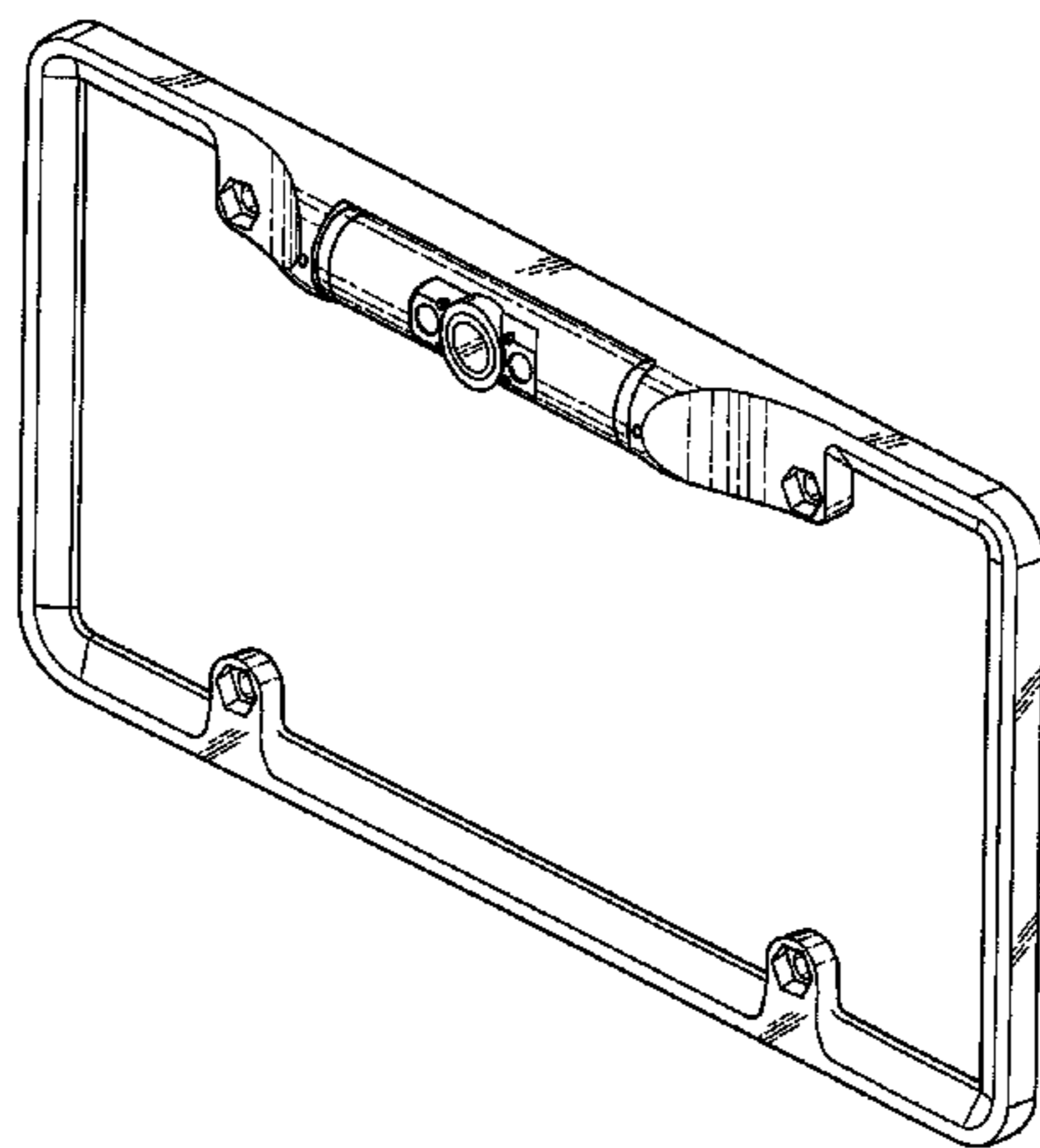


FIG. 1

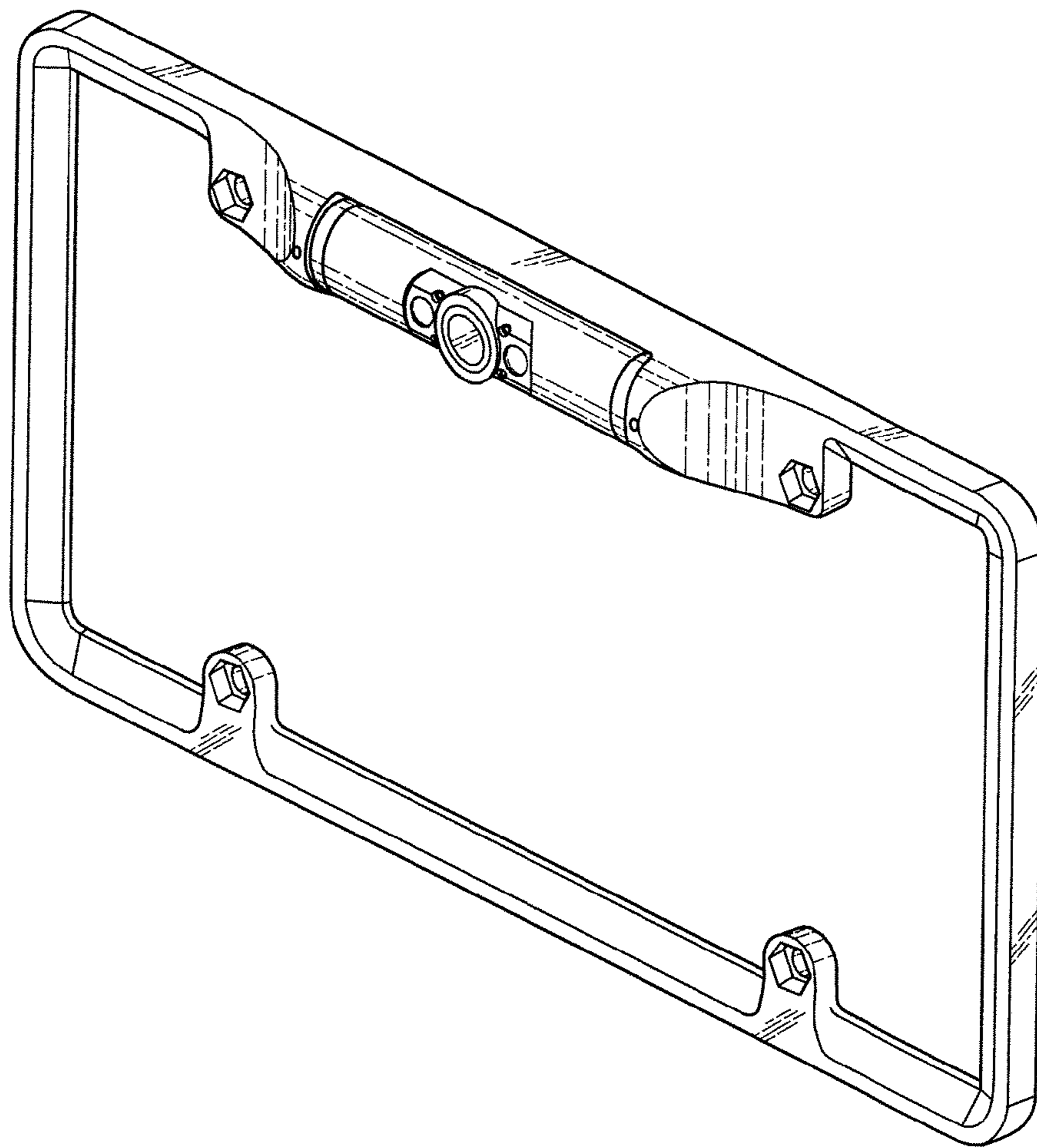


FIG. 2

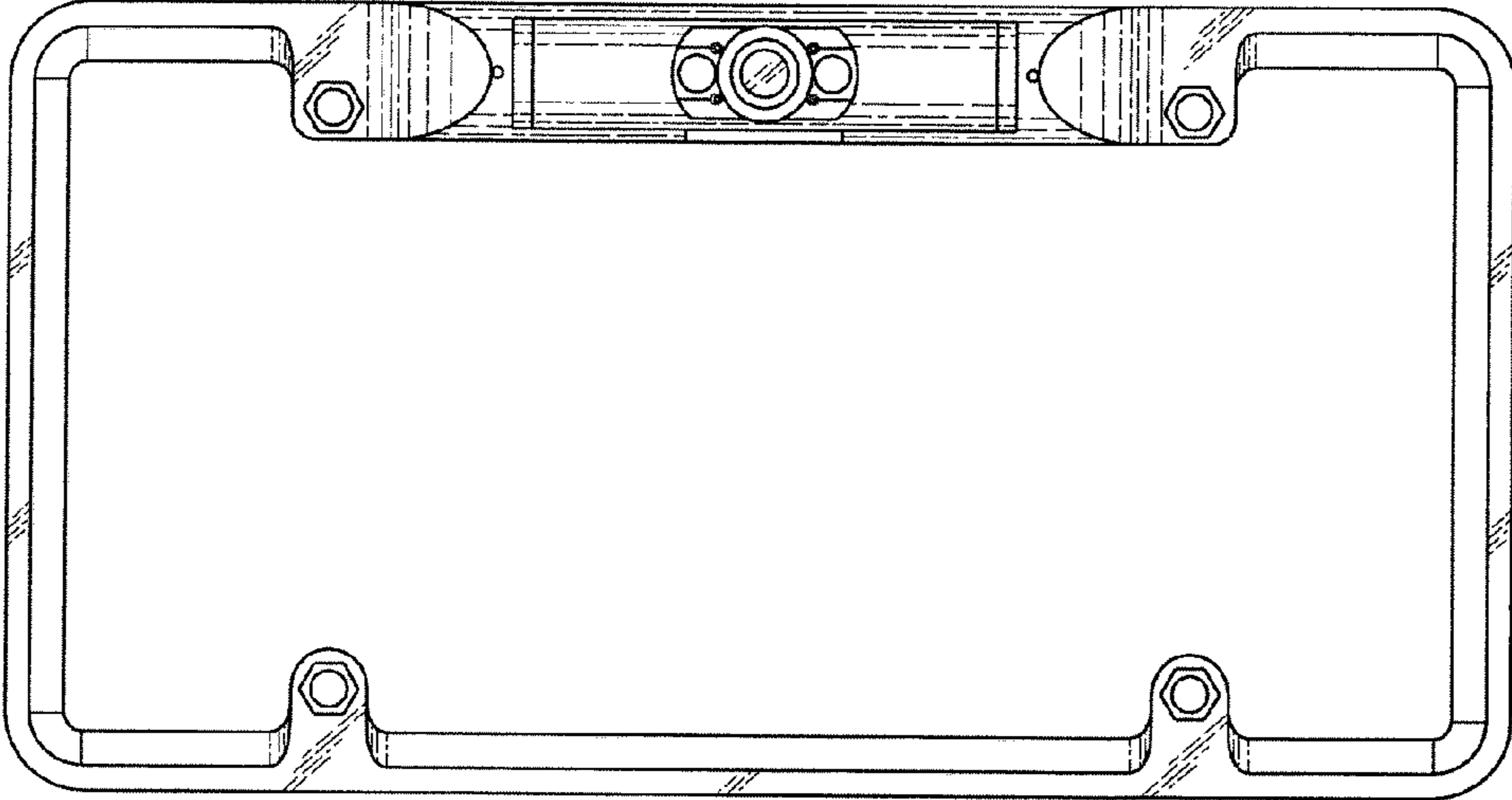


FIG. 3

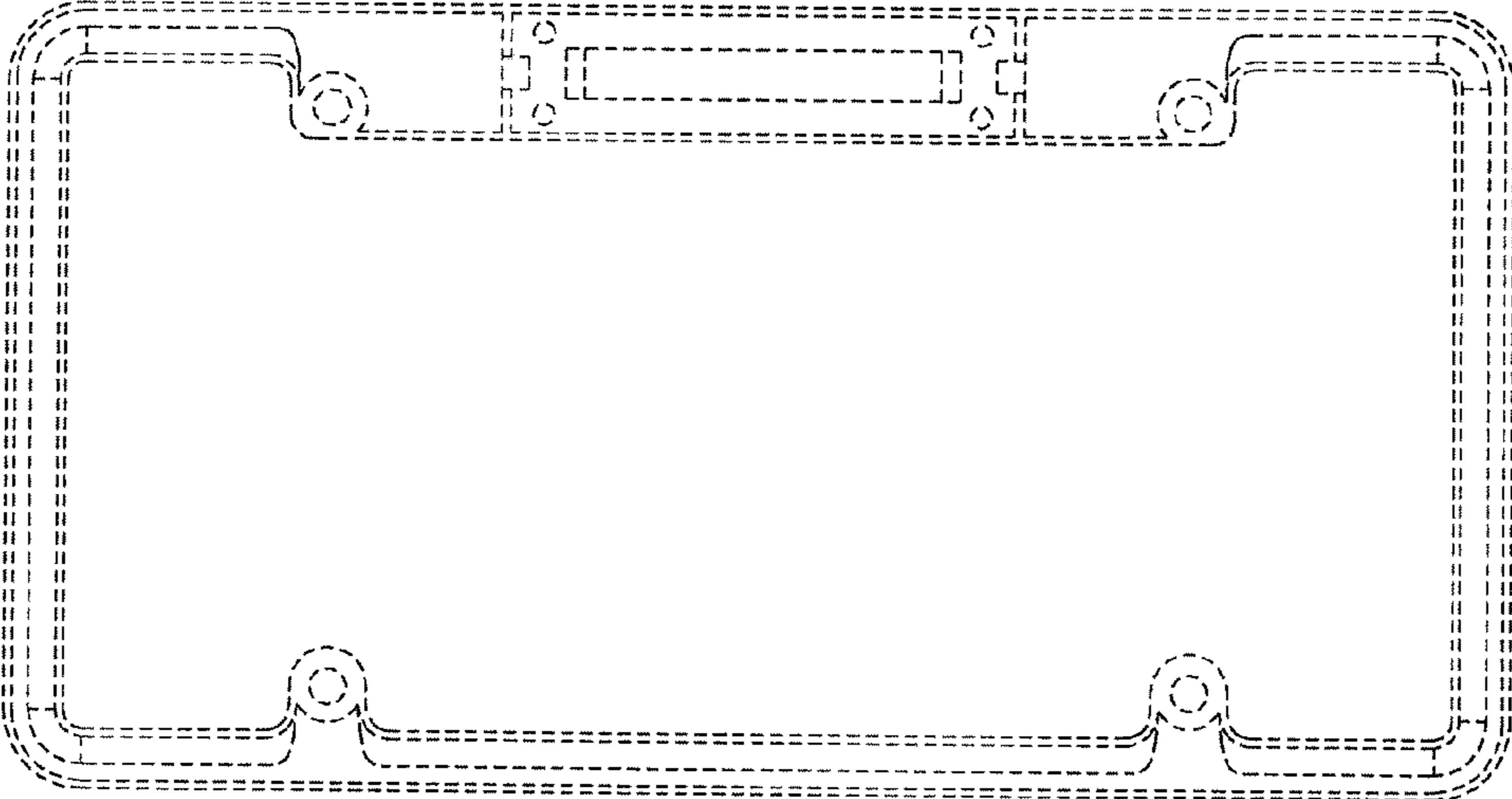


FIG. 4

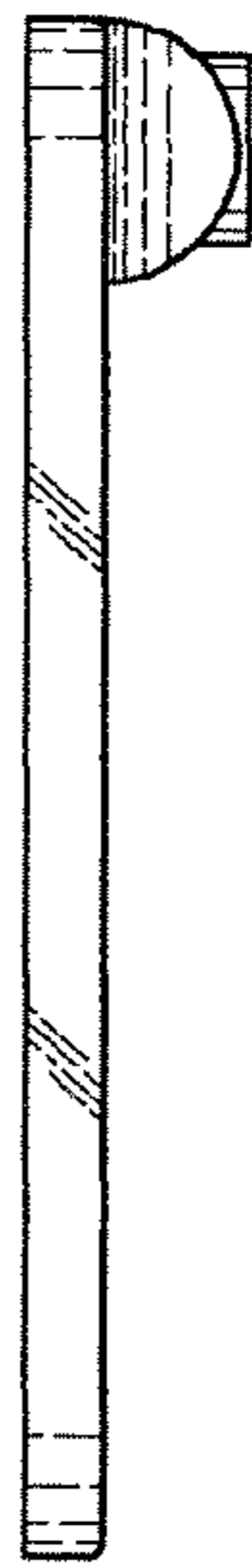


FIG. 5



FIG. 6

