

US00D685300S

(12) **United States Design Patent**  
**Varga**

(10) **Patent No.:** **US D685,300 S**  
(45) **Date of Patent:** **\*\* Jul. 2, 2013**

(54) **REAR BUMPER FOR A MOTOR VEHICLE**

(75) Inventor: **Peter Varga**, Pforzheim (DE)

(73) Assignee: **Dr. Ing. h.c. F. Porsche**  
**Aktiengesellschaft**, Stuttgart (DE)

(\*\*) Term: **14 Years**

(21) Appl. No.: **29/399,958**

(22) Filed: **Aug. 22, 2011**

(30) **Foreign Application Priority Data**

Feb. 24, 2011 (DE) ..... 402011002503

(51) **LOC (9) Cl.** ..... **12-16**

(52) **U.S. Cl.**  
USPC ..... **D12/169**

(58) **Field of Classification Search**  
USPC ..... D12/169, 196, 171, 216, 163, 86,  
D12/90-92; 293/102, 113, 115, 117, 120;  
296/180.1, 180.2

See application file for complete search history.

(56) **References Cited**

**U.S. PATENT DOCUMENTS**

D637,123 S \* 5/2011 Lamm et al. .... D12/169  
D647,437 S \* 10/2011 Varga ..... D12/169  
D659,603 S 5/2012 Varga  
D659,605 S 5/2012 Varga  
D659,608 S 5/2012 Robinson

D671,052 S \* 11/2012 Fetherston et al. .... D12/169  
D671,054 S \* 11/2012 Yamada et al. .... D12/169  
D671,055 S \* 11/2012 Nakamura et al. .... D12/169  
D673,088 S \* 12/2012 Thompson ..... D12/169  
D680,475 S 4/2013 Scheinhütte  
D682,755 5/2013 Robinson

**FOREIGN PATENT DOCUMENTS**

DE 402010001643.2 3/2010  
DE 402010001841.9 3/2010  
DE 402010004058.9 8/2010  
DE 402011002559.0 5/2011  
DE 402011002564.7 5/2011  
DE 402011002572.8 5/2011

\* cited by examiner

*Primary Examiner* — Melody Brown

(74) *Attorney, Agent, or Firm* — RatnerPrestia

(57) **CLAIM**

The ornamental design for a rear bumper for a motor vehicle, as shown and described.

**DESCRIPTION**

FIG. 1 is a perspective view of a rear bumper for a motor vehicle;

FIG. 2 is a rear elevation view thereof;

FIG. 3 is a front elevation view thereof;

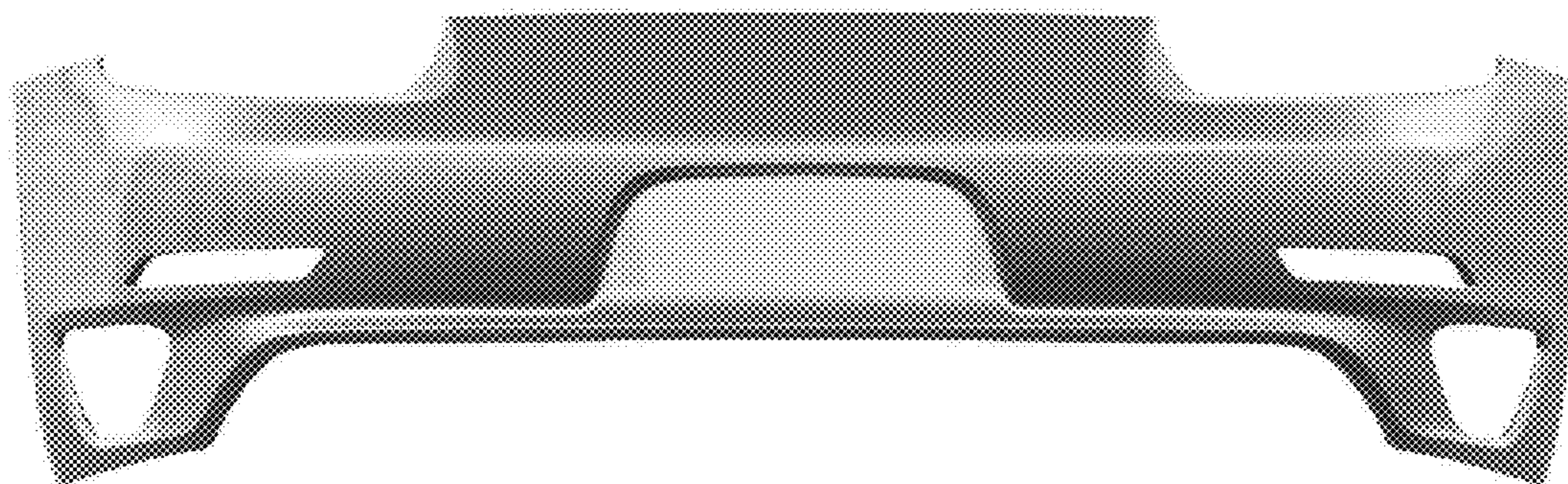
FIG. 4 is an elevation view from the left side thereof;

FIG. 5 is an elevation view from the right side thereof;

FIG. 6 is a top plan view thereof; and,

FIG. 7 is a bottom plan view thereof.

**1 Claim, 5 Drawing Sheets**



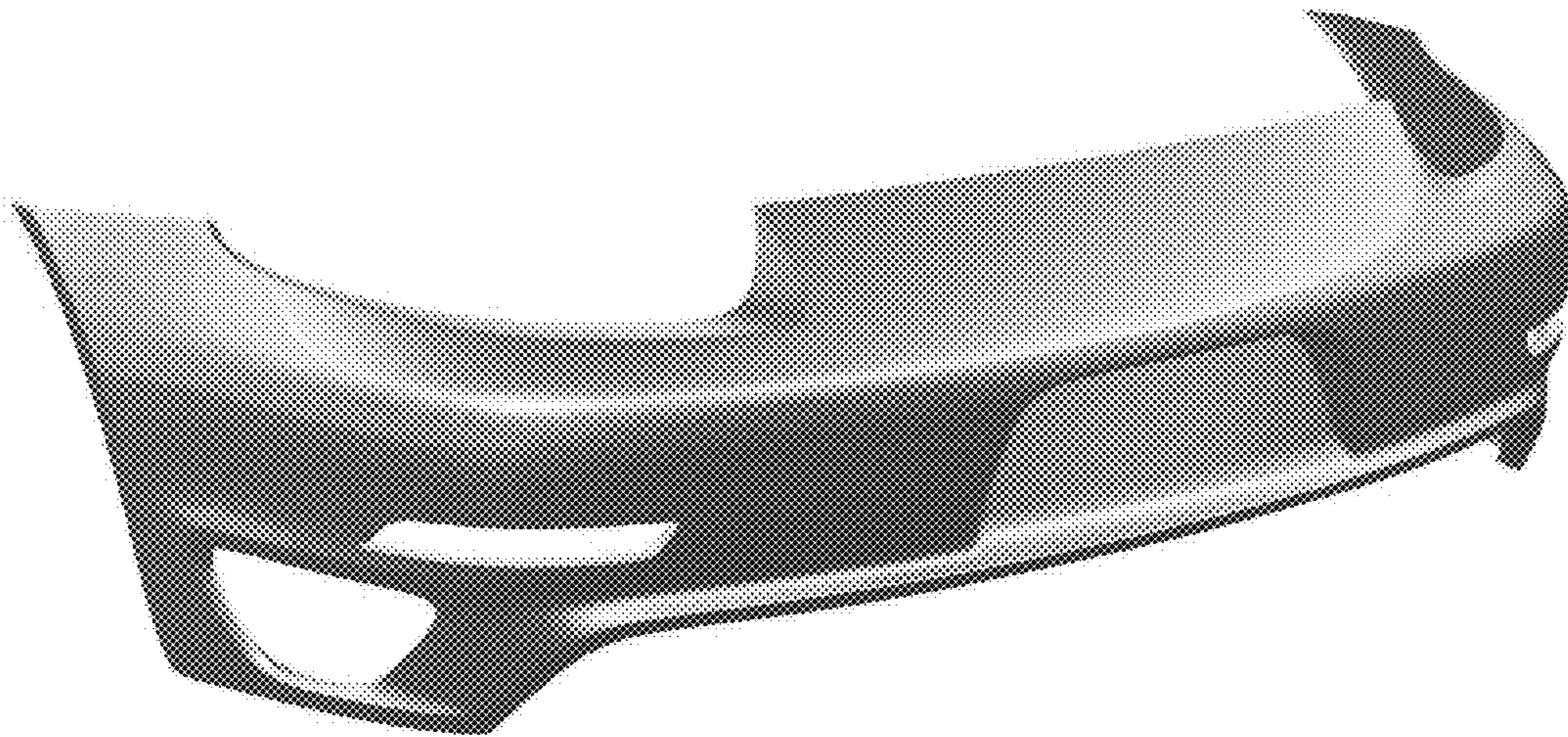


Figure 1



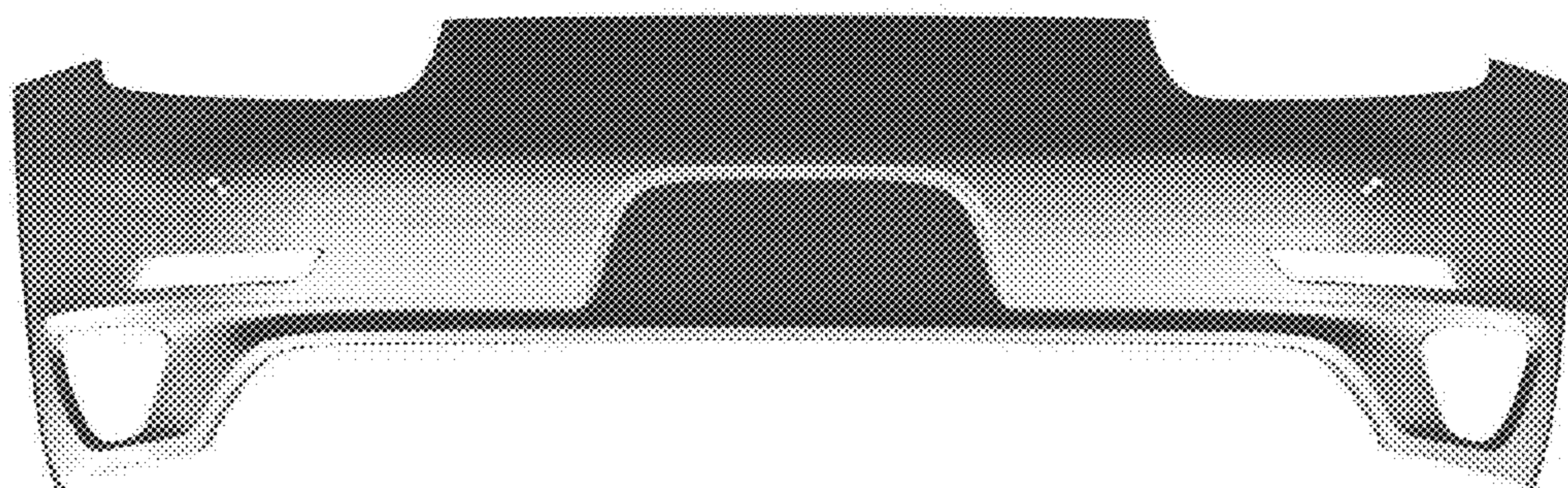


Figure 2

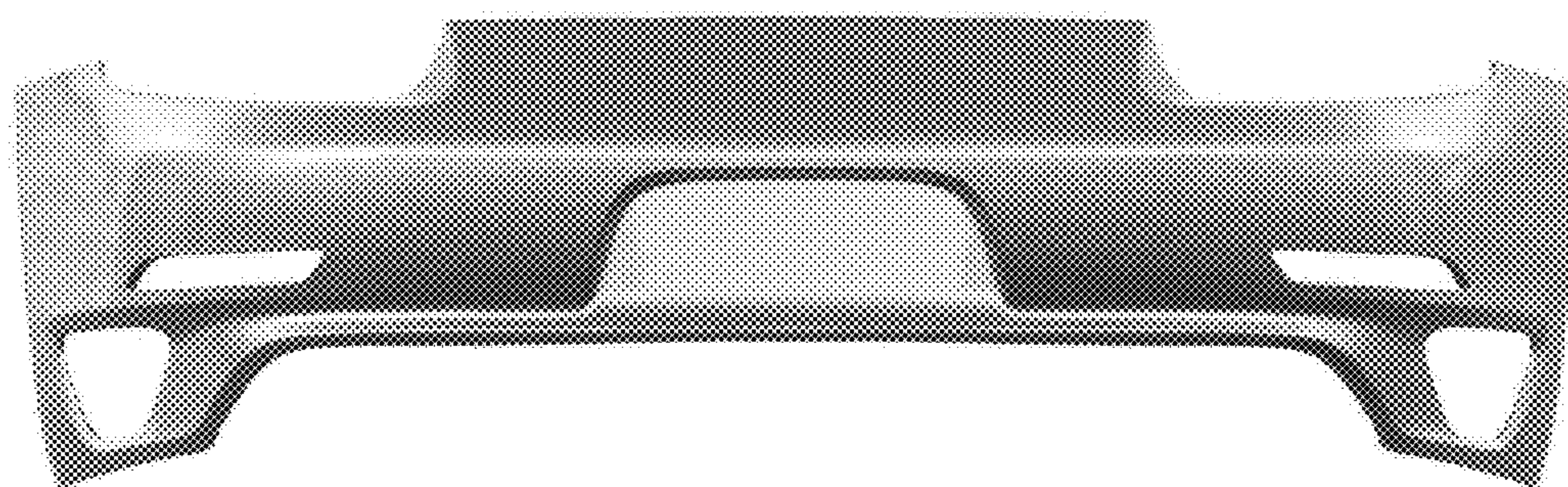


Figure 3



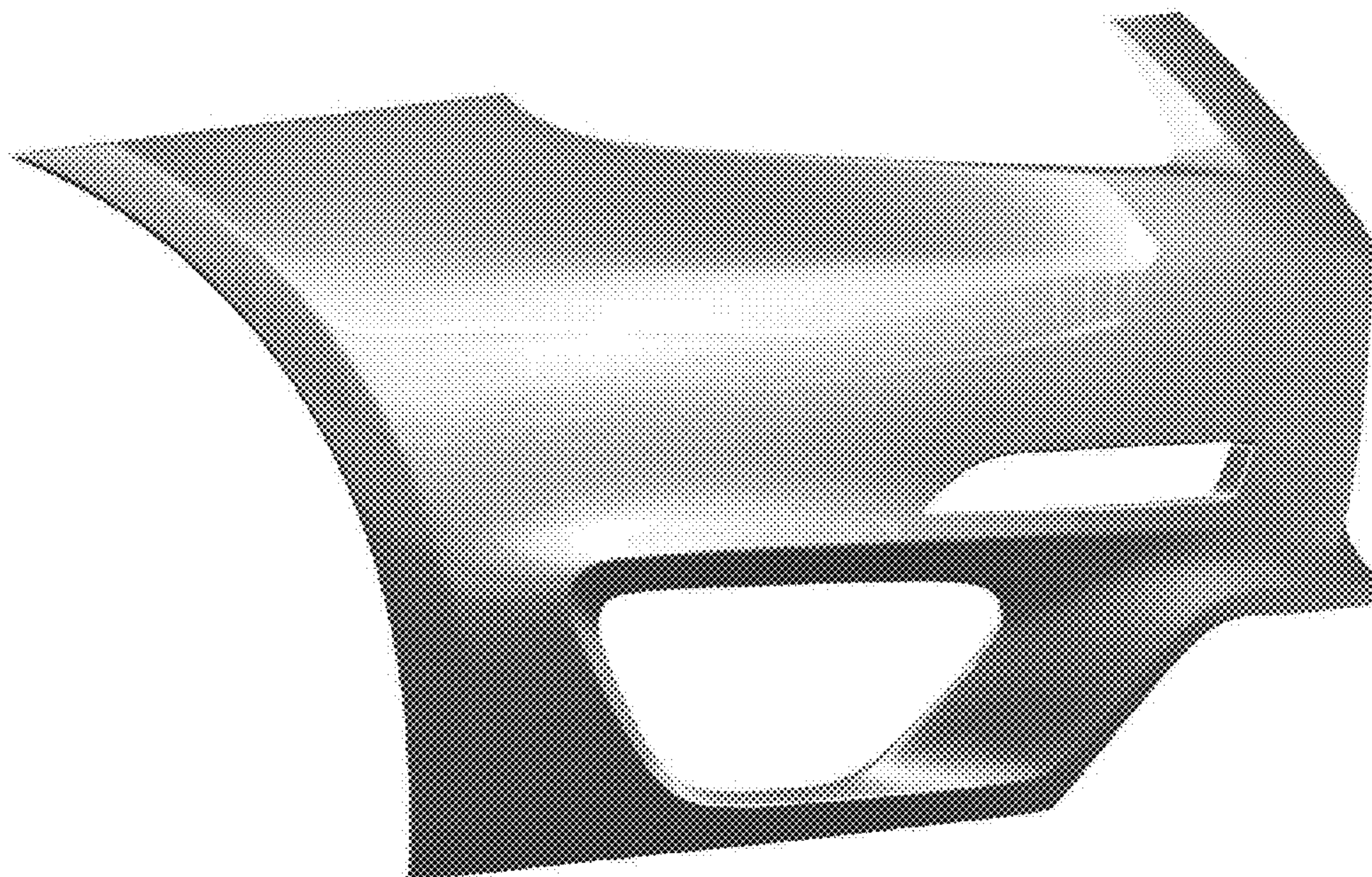


Figure 4

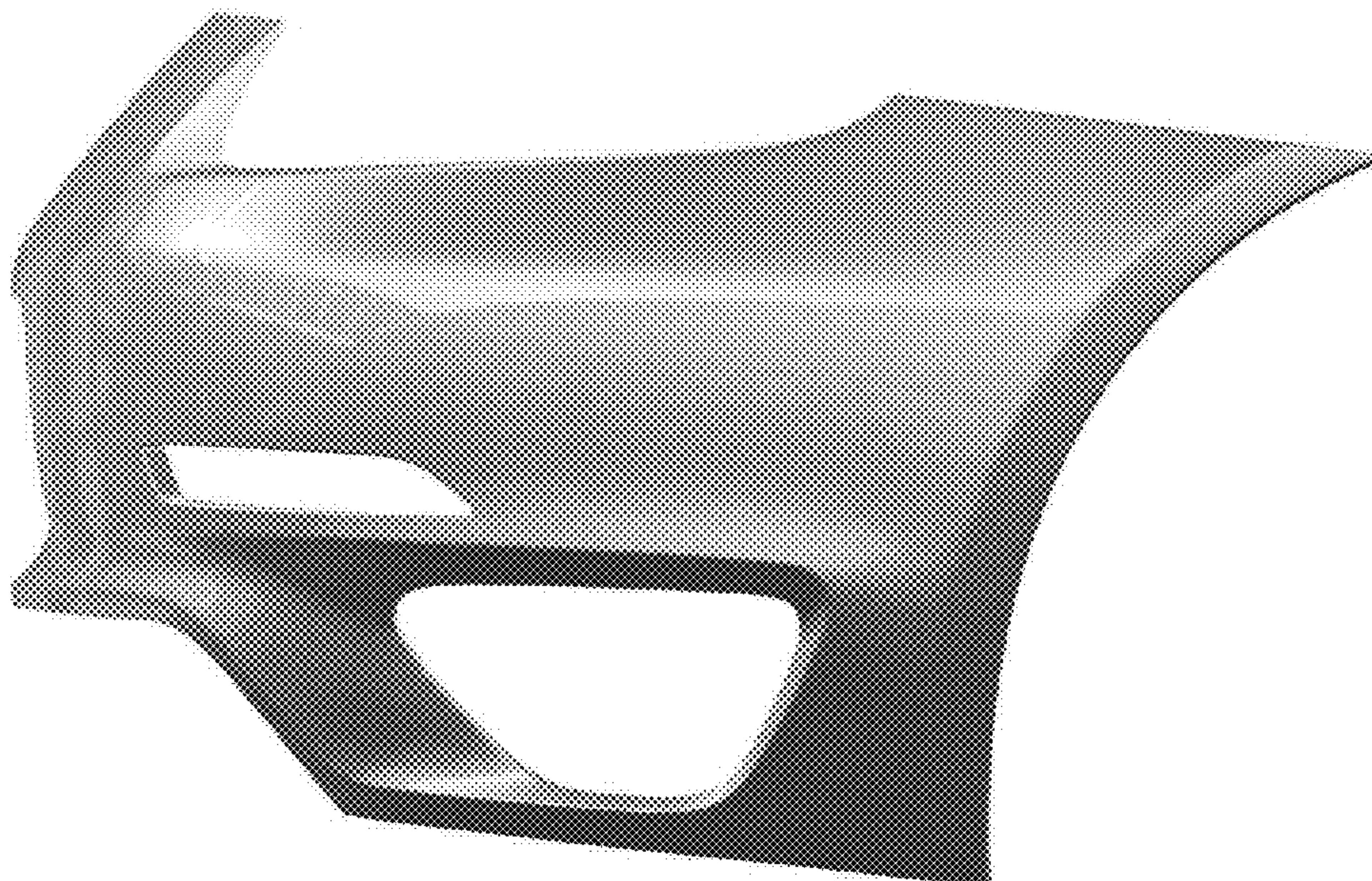


Figure 5

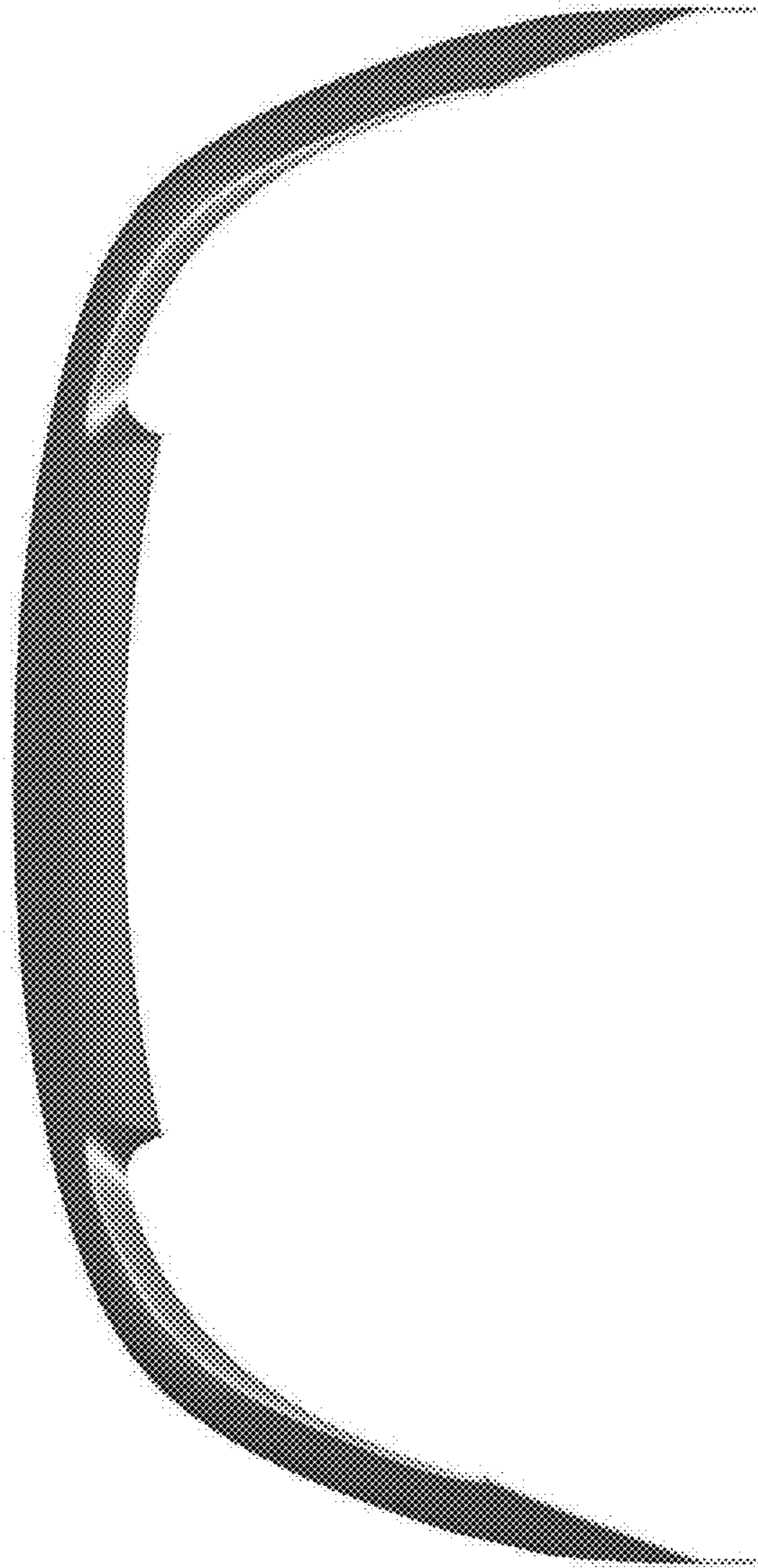


Figure 6



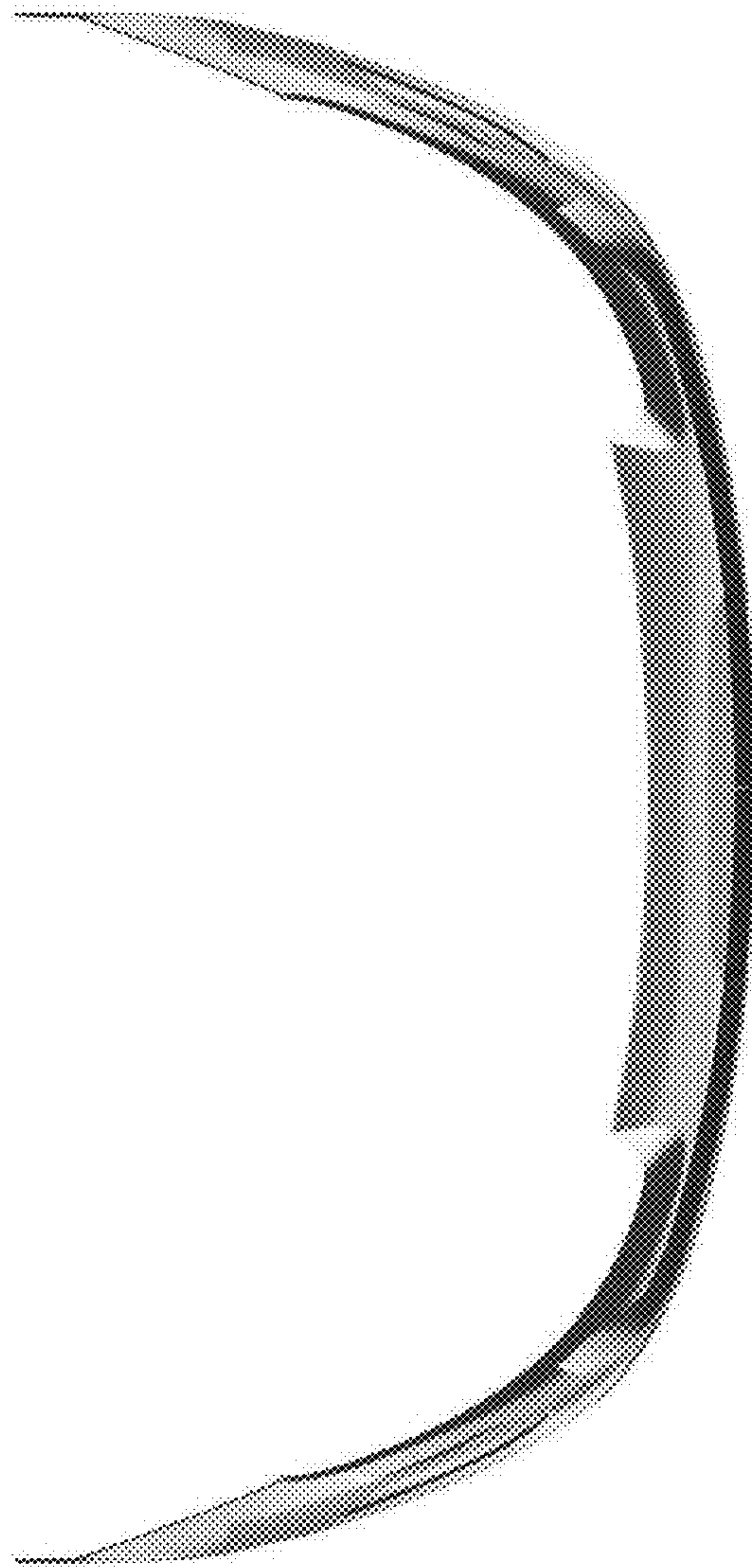


Figure 7