



US00D685299S

(12) **United States Design Patent**
Schwennsen et al.

(10) **Patent No.:** **US D685,299 S**
(45) **Date of Patent:** **** Jul. 2, 2013**

(54) **INSTALLATION ADAPTER FOR HITCH**
(71) Applicant: **Curt Manufacturing, LLC**, Eau Claire, WI (US)
(72) Inventors: **Kristopher William Schwennsen**, Mondovi, WI (US); **John William Traynor, IV**, Eau Claire, WI (US)
(73) Assignee: **Curt Manufacturing, LLC**, Eau Claire, WI (US)

(**) Term: **14 Years**

(21) Appl. No.: **29/433,291**

(22) Filed: **Sep. 27, 2012**

(51) **LOC (9) Cl.** **12-16**

(52) **U.S. Cl.**
USPC **D12/162**

(58) **Field of Classification Search**
USPC D12/162, 159, 160, 161; 56/DIG. 14; 37/399; 280/406.2, 407, 407.1, 408, 411.1, 280/416.1, 416.2, 416.3, 418, 418.1, 433, 280/434, 435, 441.1, 441.2, 455.1, 456.1, 280/480, 493, 504, 507, 508; 224/42.11, 224/42.12, 401, 412, 413, 488, 494, 500-501, 224/519, 537; 135/88.05; 150/166
See application file for complete search history.

(56) **References Cited**

U.S. PATENT DOCUMENTS

5,143,393	A	9/1992	Meyer	
D401,194	S *	11/1998	Harwood	D12/162
5,971,418	A	10/1999	Lindenman et al.	
6,095,545	A	8/2000	Bol, II et al.	
6,199,890	B1	3/2001	Lindenman et al.	
D452,205	S *	12/2001	Eisenbraun	D12/162

6,447,000	B1	9/2002	Dick et al.	
D467,857	S *	12/2002	Chung	D12/209
D471,500	S *	3/2003	Kataoka	D12/209
6,533,308	B1	3/2003	Tambornino	
D497,584	S *	10/2004	Smith et al.	D12/209
D503,663	S *	4/2005	Kolflat	D12/162
D514,479	S *	2/2006	Wang	D12/162
7,168,727	B2	1/2007	Dick	
7,775,545	B2	8/2010	Dick	

* cited by examiner

Primary Examiner — Katrina A Betton

(74) *Attorney, Agent, or Firm* — Shewchuk IP Services, LLC; Jeffrey D. Shewchuk

(57) **CLAIM**

The ornamental design for a installation adapter for hitch, as shown and described.

DESCRIPTION

FIG. 1 is a top perspective view of an installation adapter for hitch showing my new design.

FIG. 2 is a bottom perspective view of the installation adapter for hitch of FIG. 1.

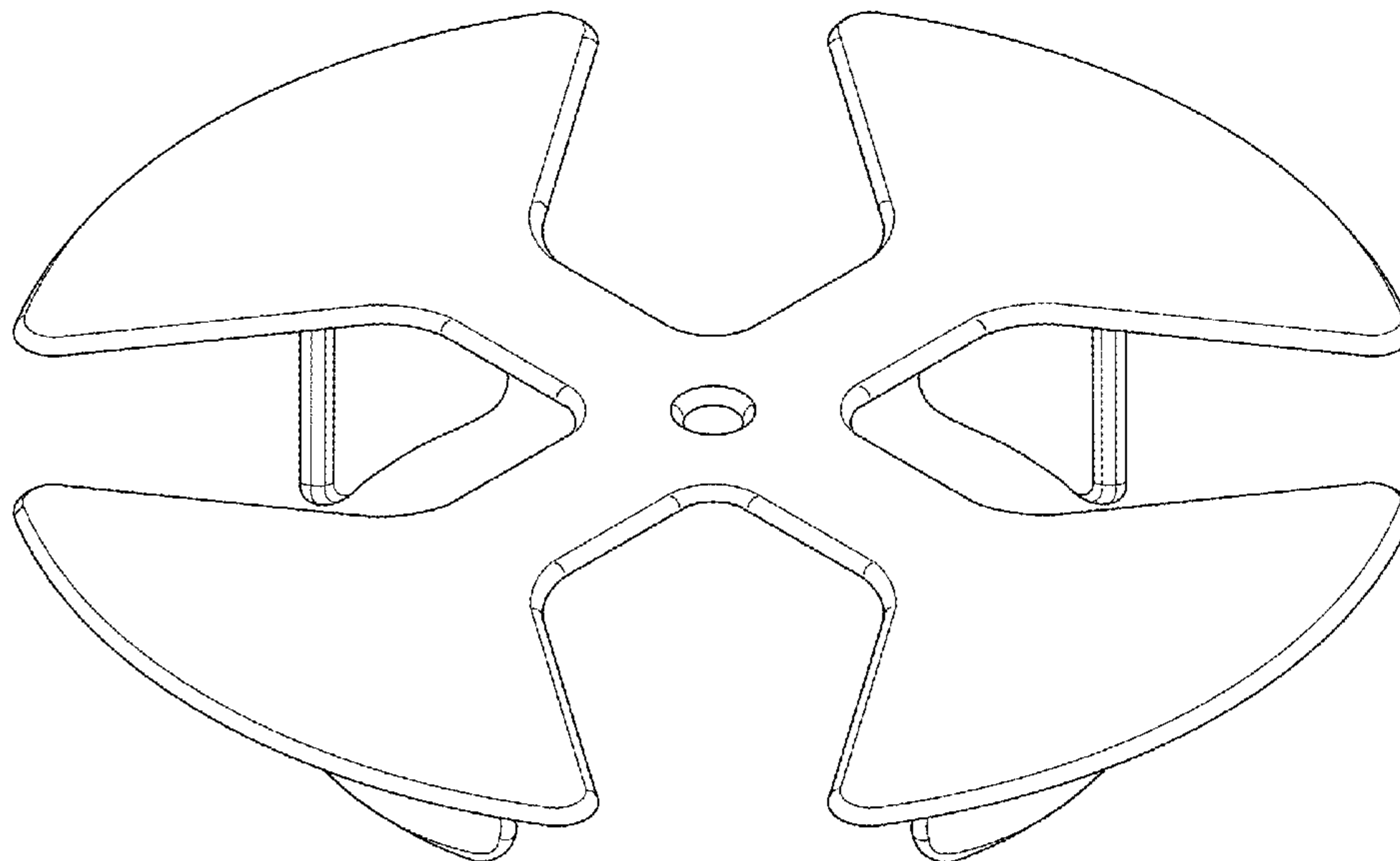
FIG. 3 is a top perspective view of the installation adapter for hitch of FIGS. 1 and 2, showing the environment of use in dashed lines during installation of a hitch beneath and projecting into the bed of a pickup truck, with a portion of the bed broken away.

FIG. 4 is a top plan view showing the installation adapter for hitch of FIGS. 1-3.

FIG. 5 is a side view of the installation adapter for hitch of FIGS. 1-4. Side views of the installation adapter for hitch are identical from each of four sides; and,

FIG. 6 is a bottom plan view showing the installation adapter for hitch of FIGS. 1-5.

1 Claim, 3 Drawing Sheets



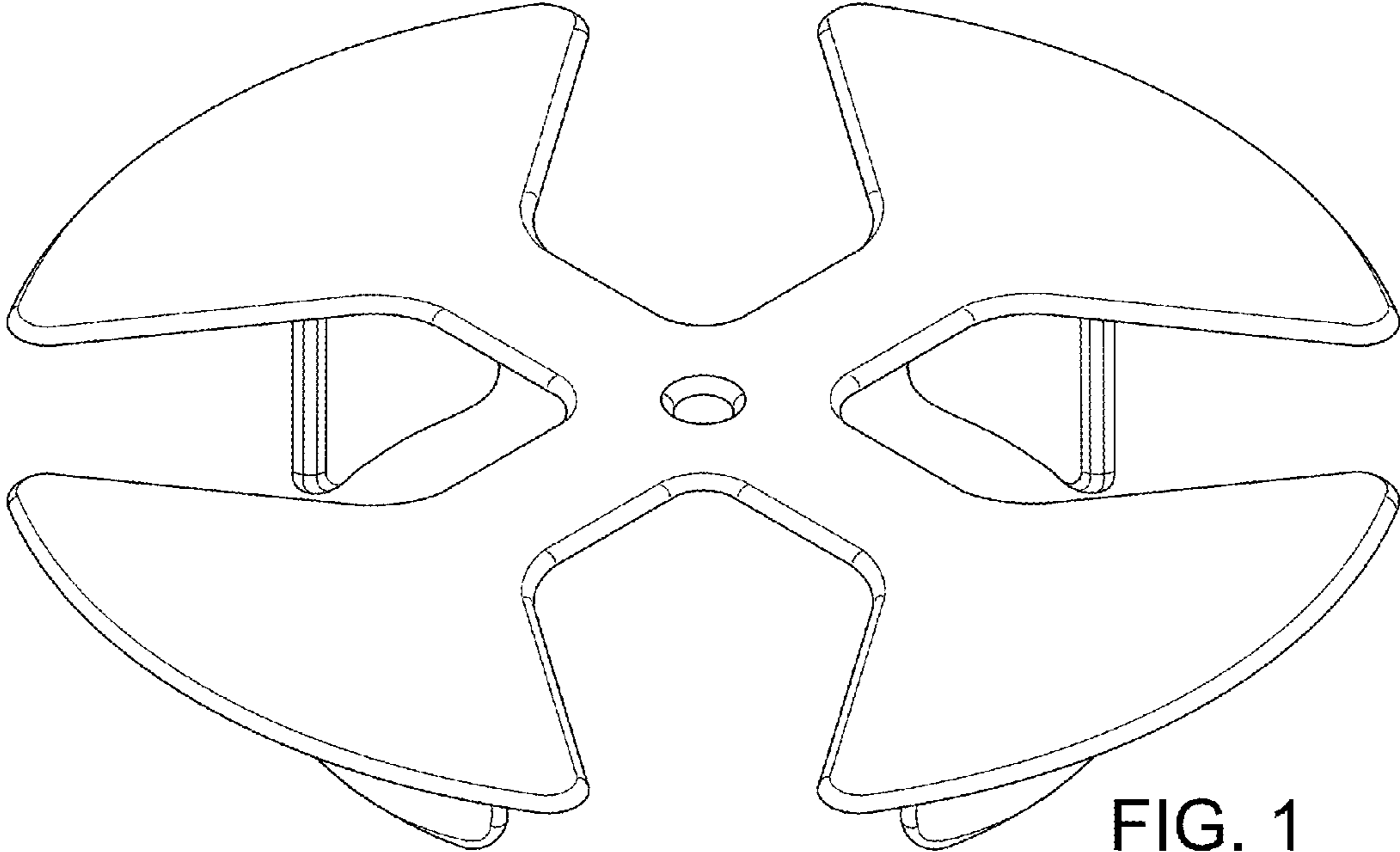


FIG. 1

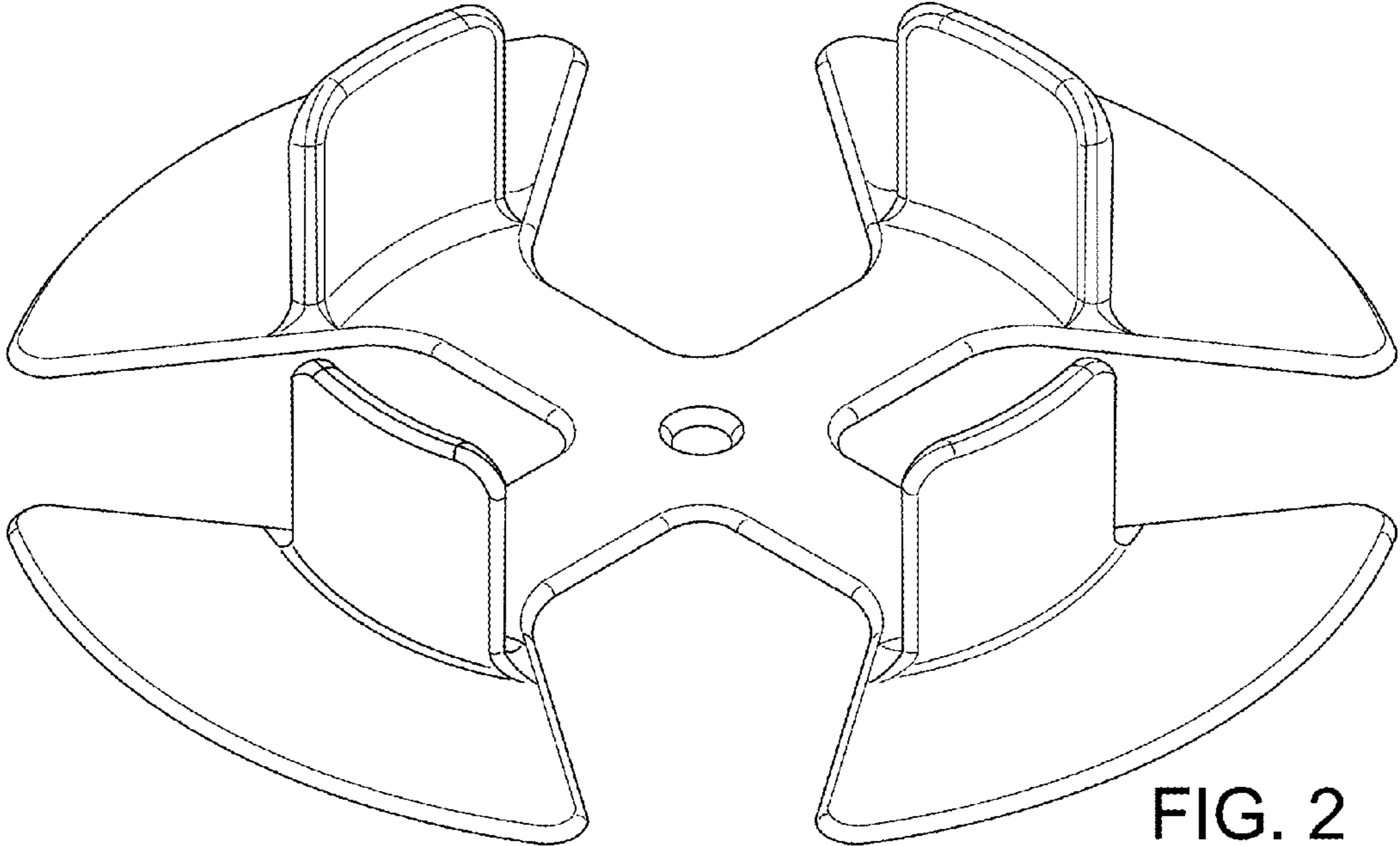


FIG. 2

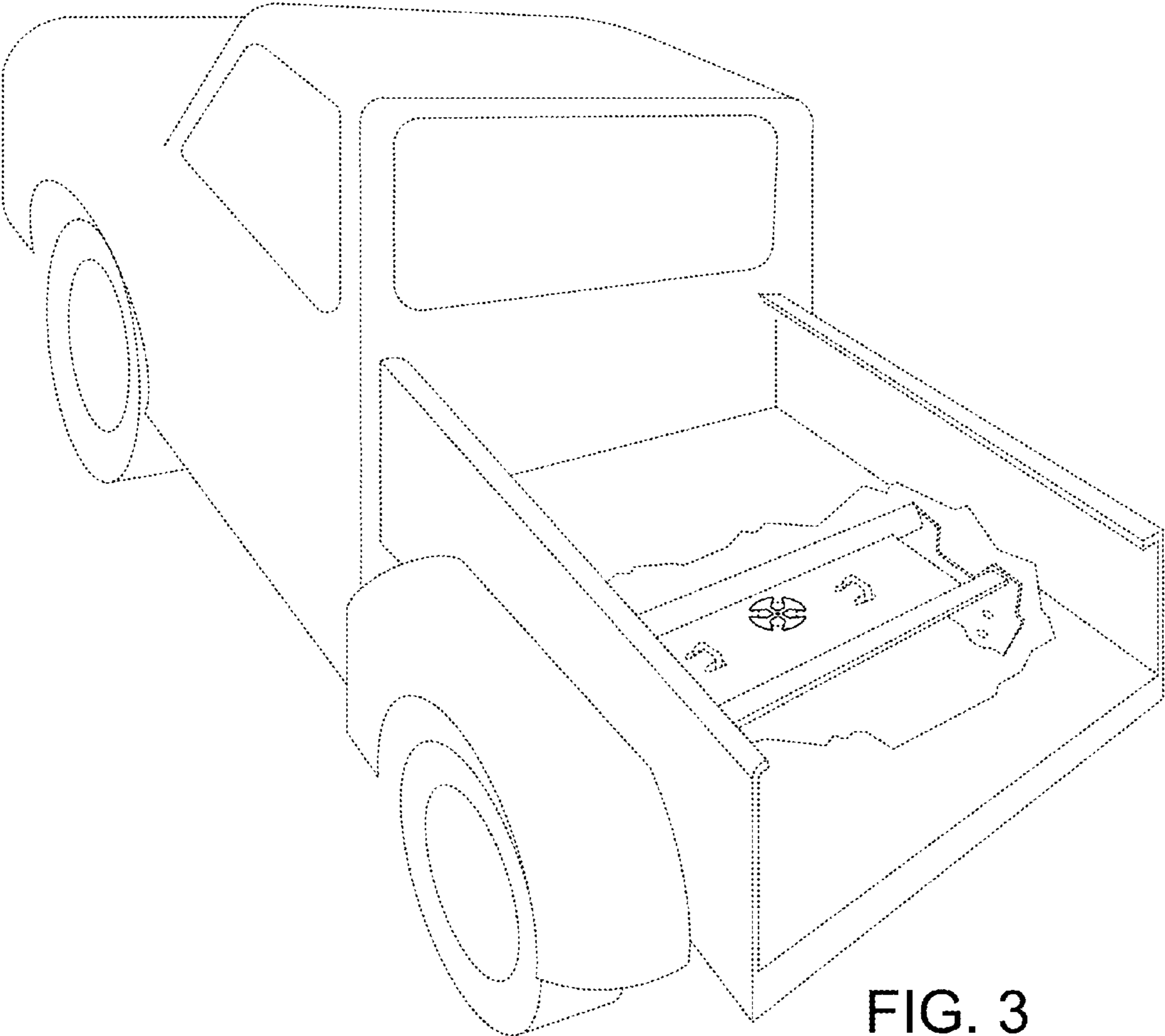


FIG. 3

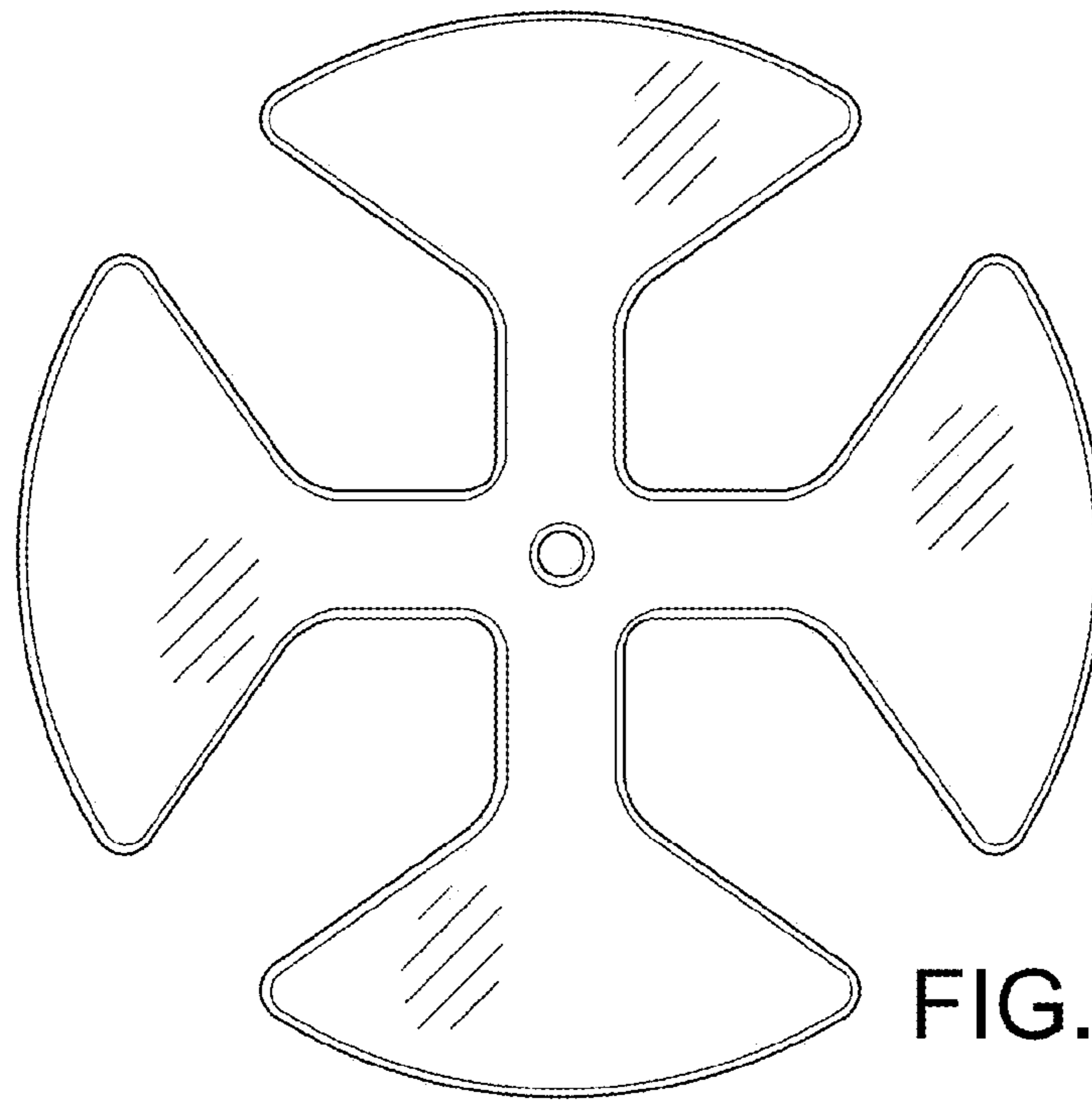


FIG. 4

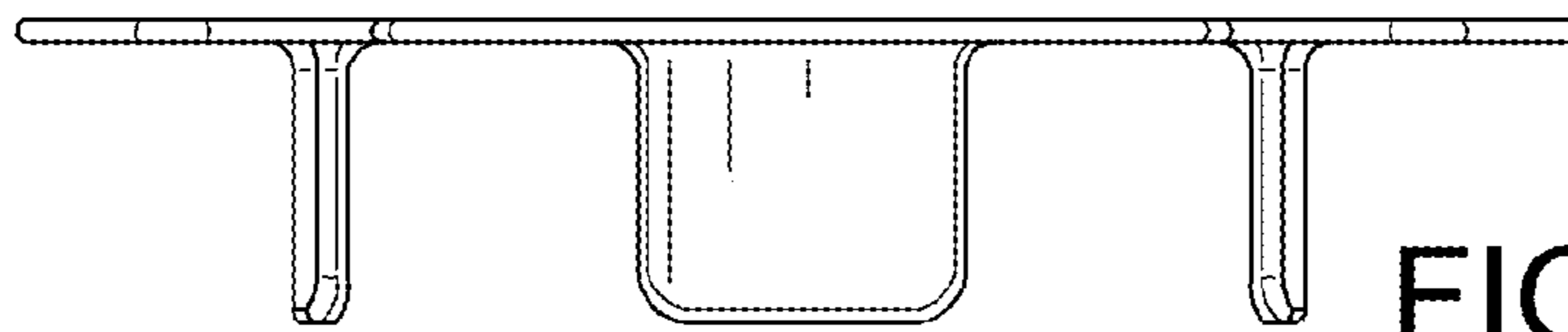


FIG. 5

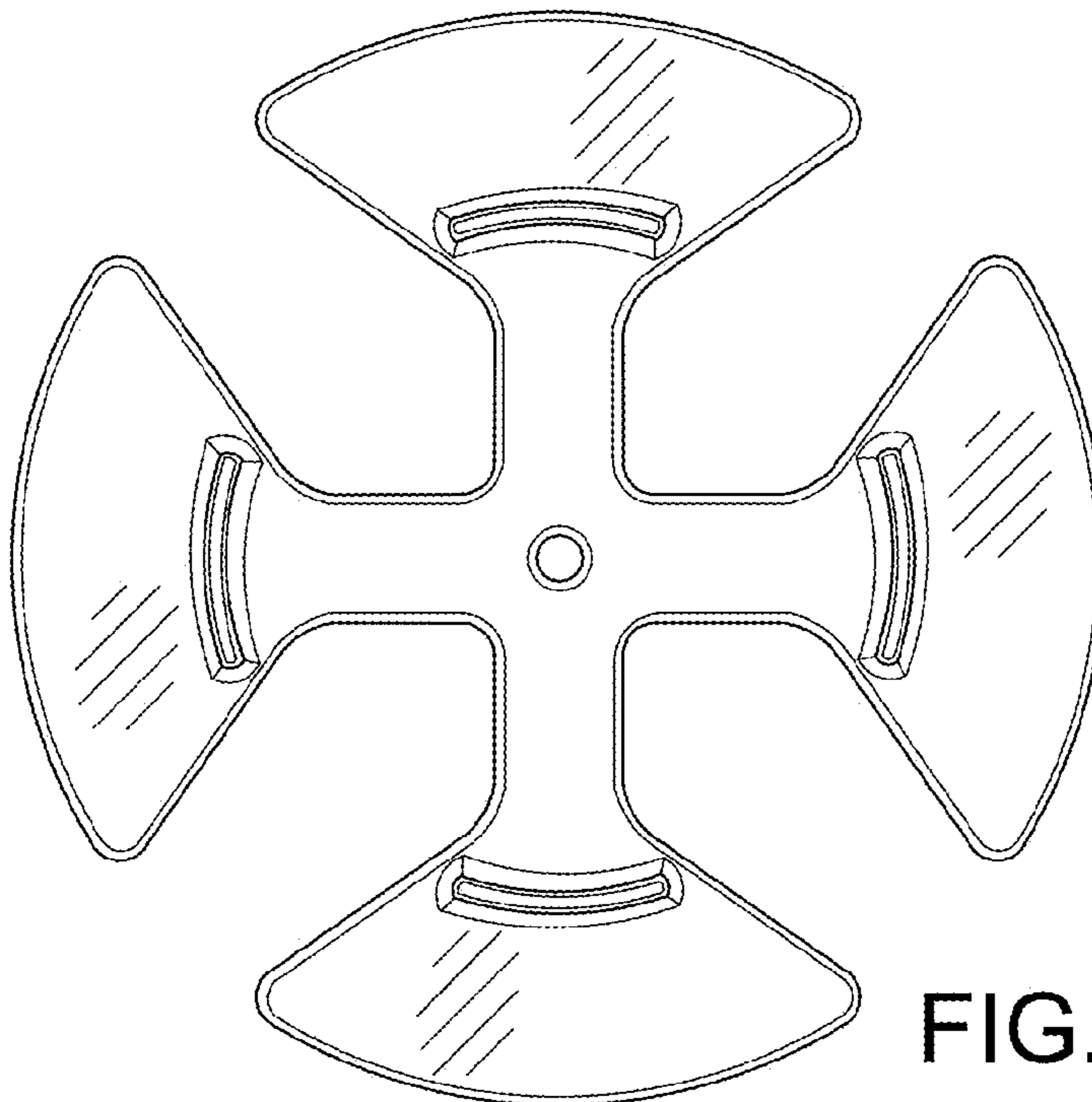


FIG. 6