



US00D685298S

(12) **United States Design Patent**  
**Waggoner et al.**

(10) **Patent No.:** **US D685,298 S**

(45) **Date of Patent:** **\*\* Jul. 2, 2013**

(54) **THUMBSCREW ADJUSTER FOR A WEIGHT DISTRIBUTION HITCH**

D620,403 S \* 7/2010 Blankenship et al. .... D12/162  
D628,128 S \* 11/2010 Sanders et al. .... D12/162  
2012/0049484 A1\* 3/2012 Brass ..... 280/507

(75) Inventors: **Christopher H. Waggoner**, Greensboro, NC (US); **Jake C. Atwell**, Greensboro, NC (US)

**OTHER PUBLICATIONS**

Ref. No. 1, Photo of Blue Ox SwayPro, from the BlueOx website (www.blueox.us), Jun. 3, 2011, 1 Page.

(73) Assignee: **Camco Manufacturing, Inc.**, Greensboro, NC (US)

\* cited by examiner

(\*\*) Term: **14 Years**

*Primary Examiner* — Katrina A Betton

(21) Appl. No.: **29/395,450**

(57) **CLAIM**

The ornamental design for a thumbscrew adjuster for a weight distribution hitch, as shown and described.

(22) Filed: **Jan. 24, 2012**

(51) **LOC (9) Cl.** ..... **12-16**

(52) **U.S. Cl.**  
USPC ..... **D12/162**

**DESCRIPTION**

(58) **Field of Classification Search**  
USPC ..... D12/162, 159, 160, 161; 56/DIG. 14; 37/399; 280/406.2, 407, 407.1, 408, 411.1, 280/416.1, 416.2, 416.3, 418, 418.1, 433, 280/434, 435, 441.1, 441.2, 455.1, 456.1, 280/480, 493, 504, 507, 508; 224/42.11, 224/42.12, 401, 412, 413, 488, 494, 500-501, 224/519, 537; 135/88.05; 150/166  
See application file for complete search history.

FIG. 1 is a front, top right perspective view of a thumbscrew adjuster for a weight distribution hitch with thumbscrew adjuster uninstalled according to the invention;  
FIG. 2 is a front, top right perspective view of a thumbscrew adjuster for a weight distribution hitch with thumbscrew adjuster installed according to the invention;  
FIG. 3 is a front elevational view of FIG. 2 according to the invention;  
FIG. 4 is a rear elevational view of FIG. 2 according to the invention;  
FIG. 5 is a top plan view of FIG. 2 according to the invention;  
FIG. 6 is a bottom plan view of FIG. 2 according to the invention; and,  
FIG. 7 is a left elevational view of FIG. 2 according to the invention with the right elevational view being a mirror image thereof.

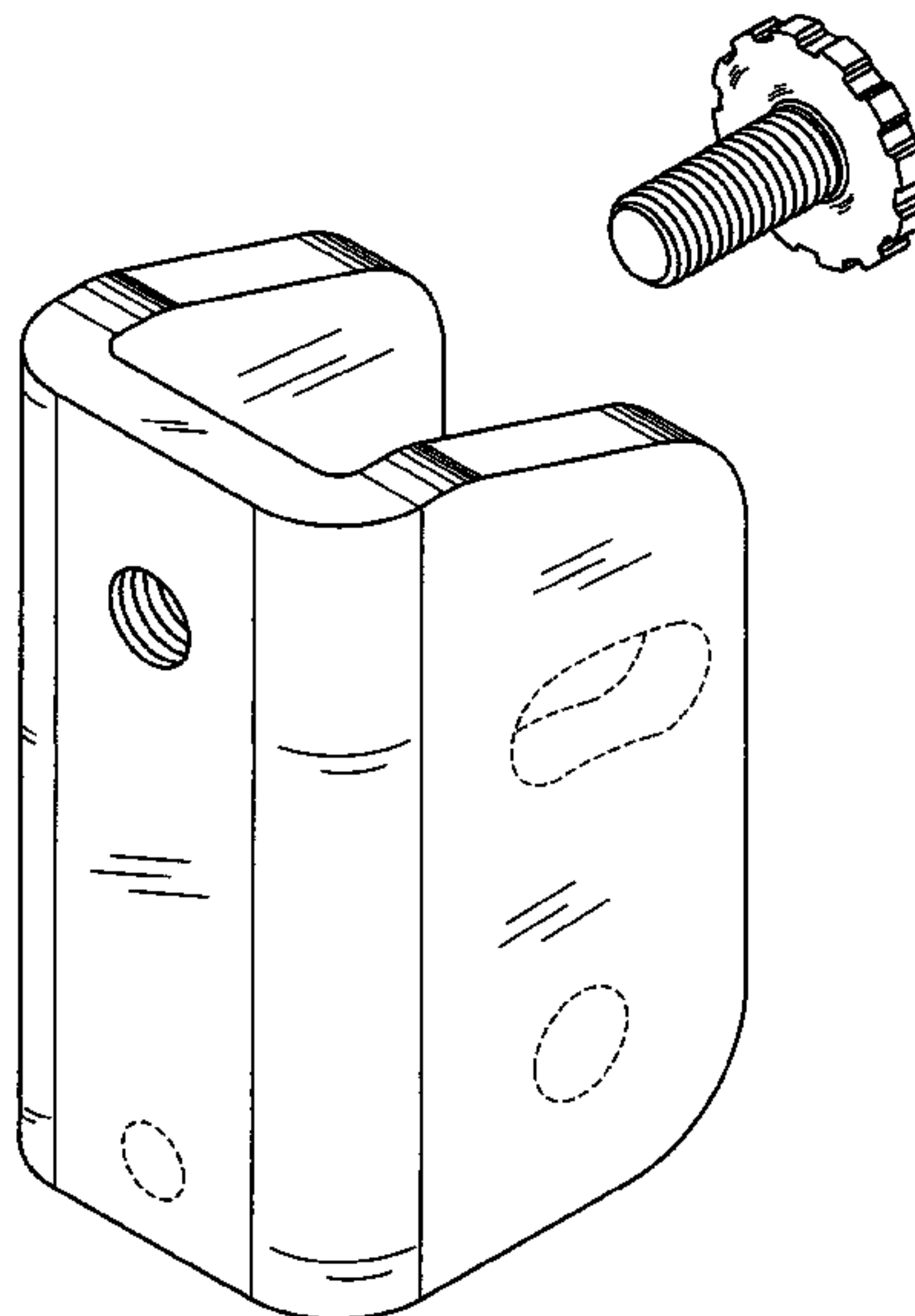
(56) **References Cited**

**U.S. PATENT DOCUMENTS**

D203,947	S	3/1966	Pick	
3,782,761	A *	1/1974	Cardin, Sr.	280/507
4,394,097	A	7/1983	Horlacher	
D320,805	S	10/1991	Sassmannshausen et al.	
D326,834	S *	6/1992	Kuhlemeier et al.	D12/162
D478,806	S	8/2003	McDonough et al.	
D576,085	S *	9/2008	Devlin	D12/162
7,455,313	B2 *	11/2008	Yokosh et al.	280/507
D591,208	S *	4/2009	Wubker, Jr.	D12/162
D612,775	S *	3/2010	Davis	D12/162

The broken line showing of the slot and holes in FIGS. 1, 2 and 7 is included for the purpose of illustrating environmental use only and forms no part of the claimed design.

**1 Claim, 4 Drawing Sheets**



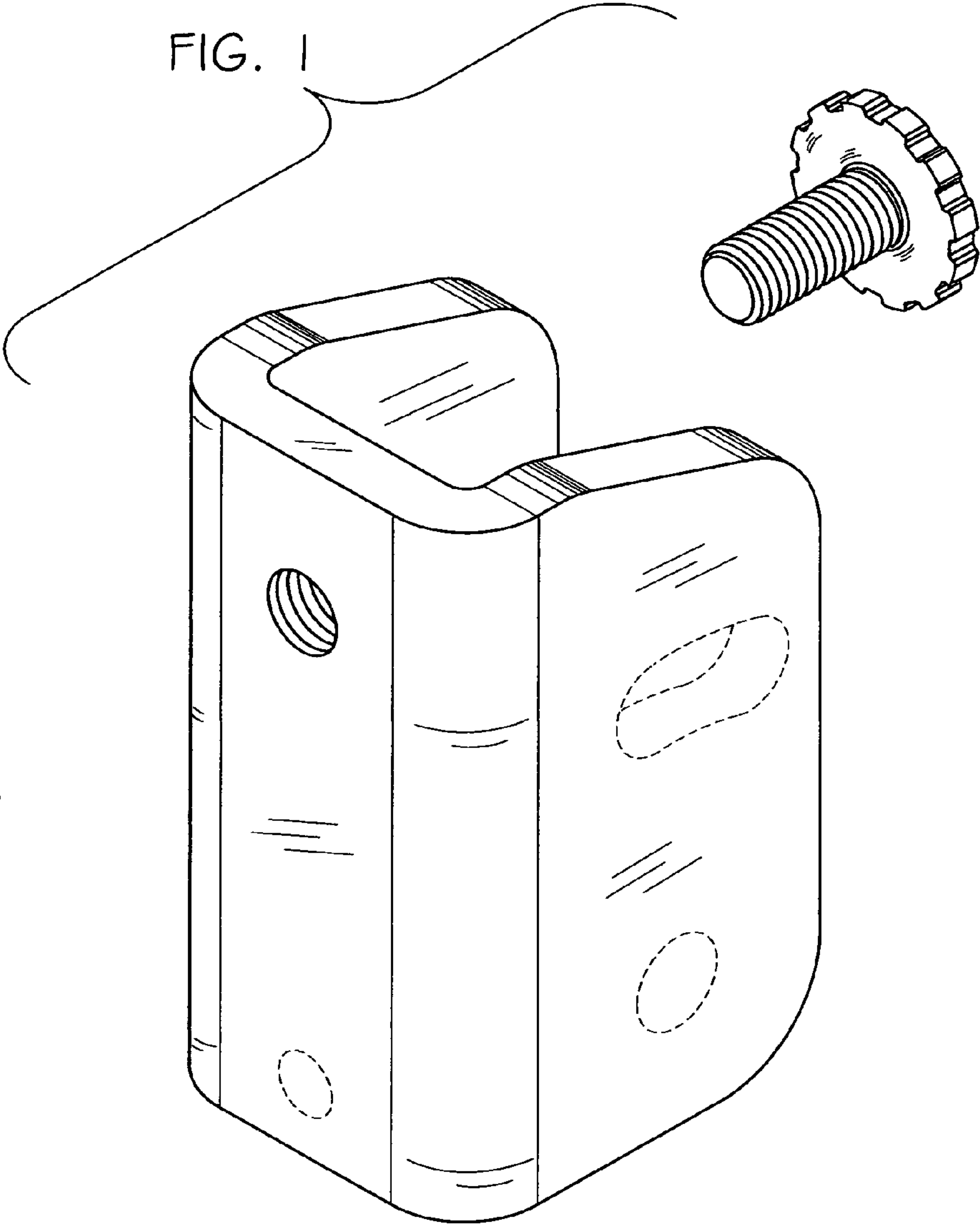


Fig. 1

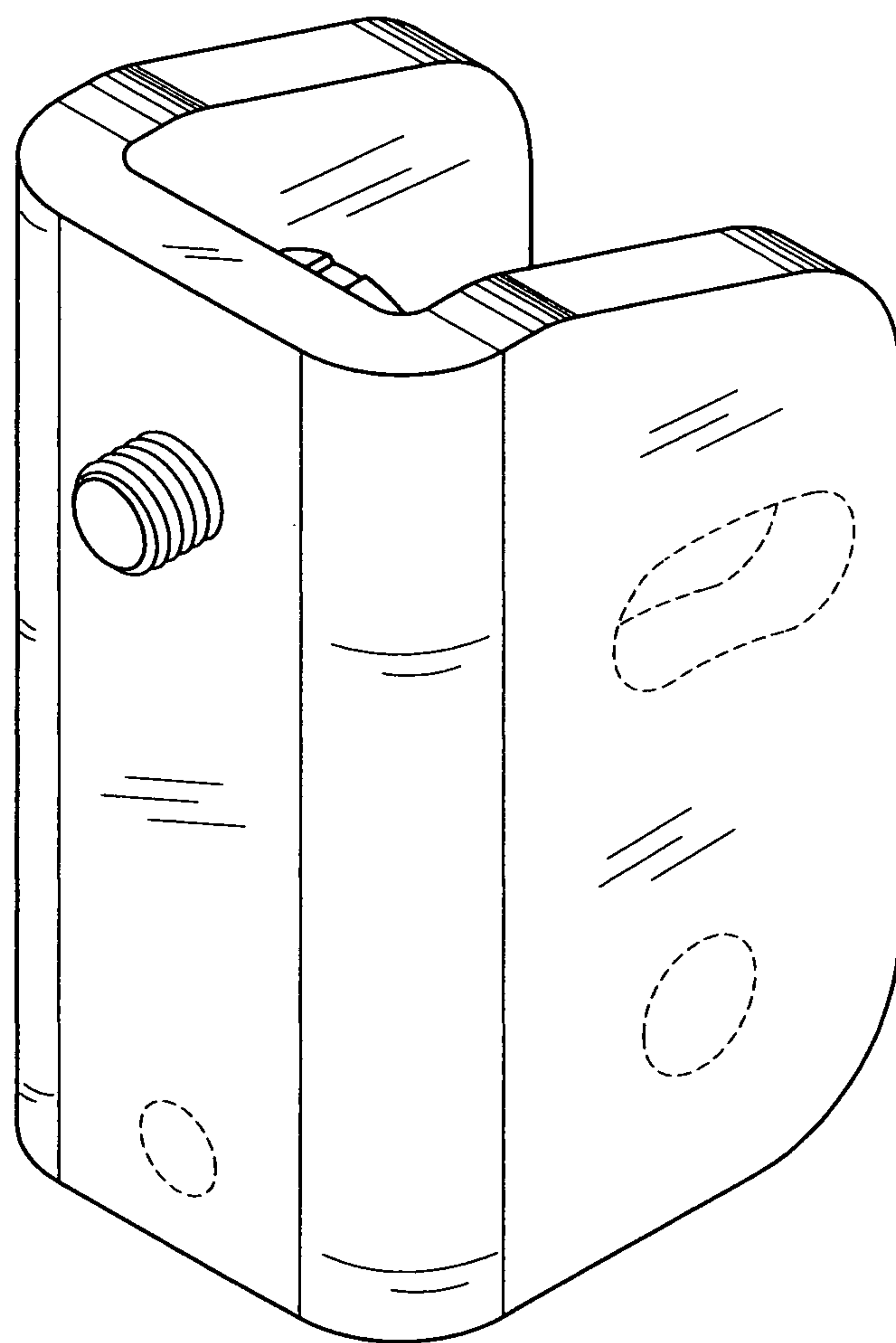


Fig. 2

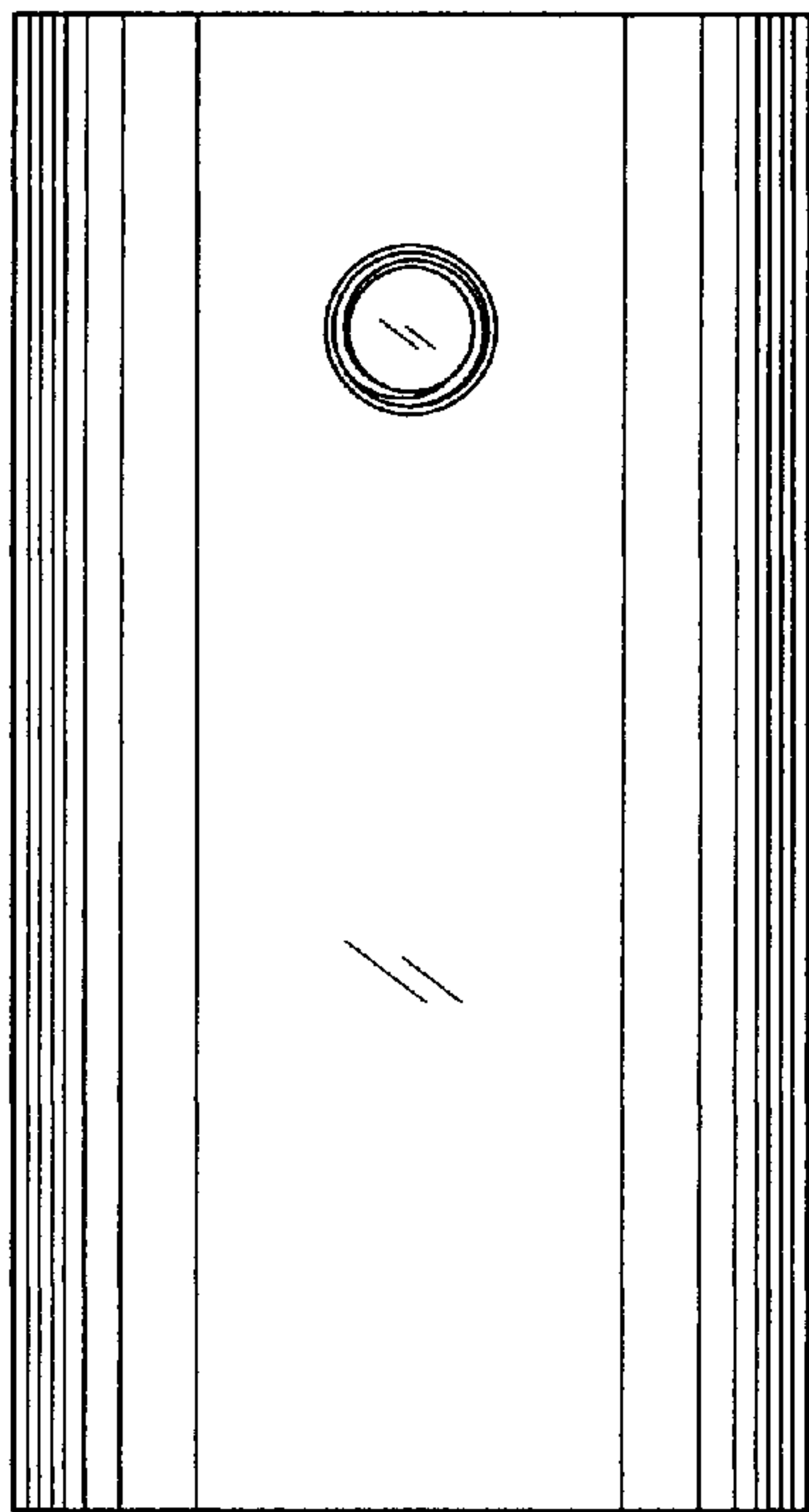


Fig. 3

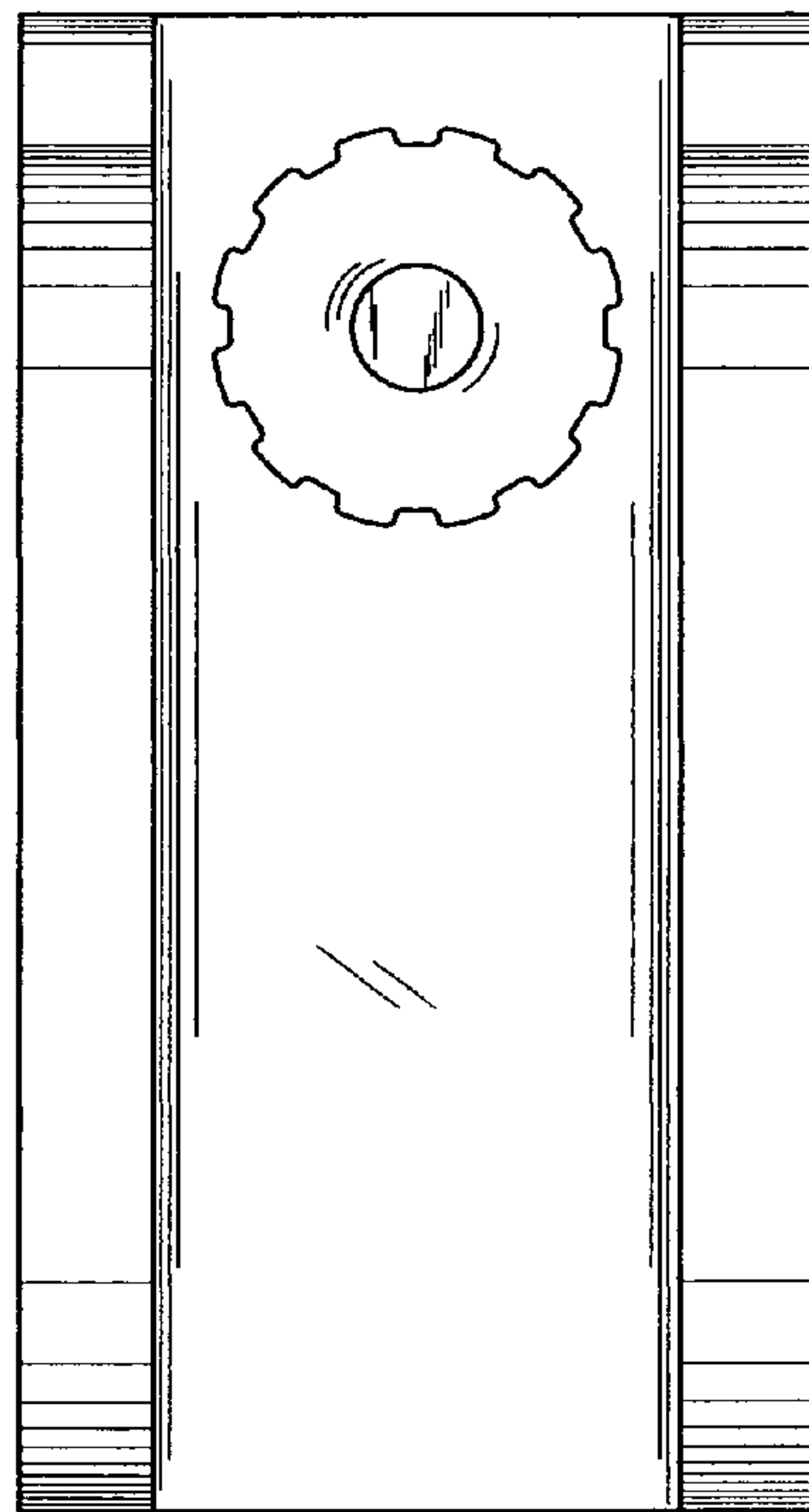


Fig. 4

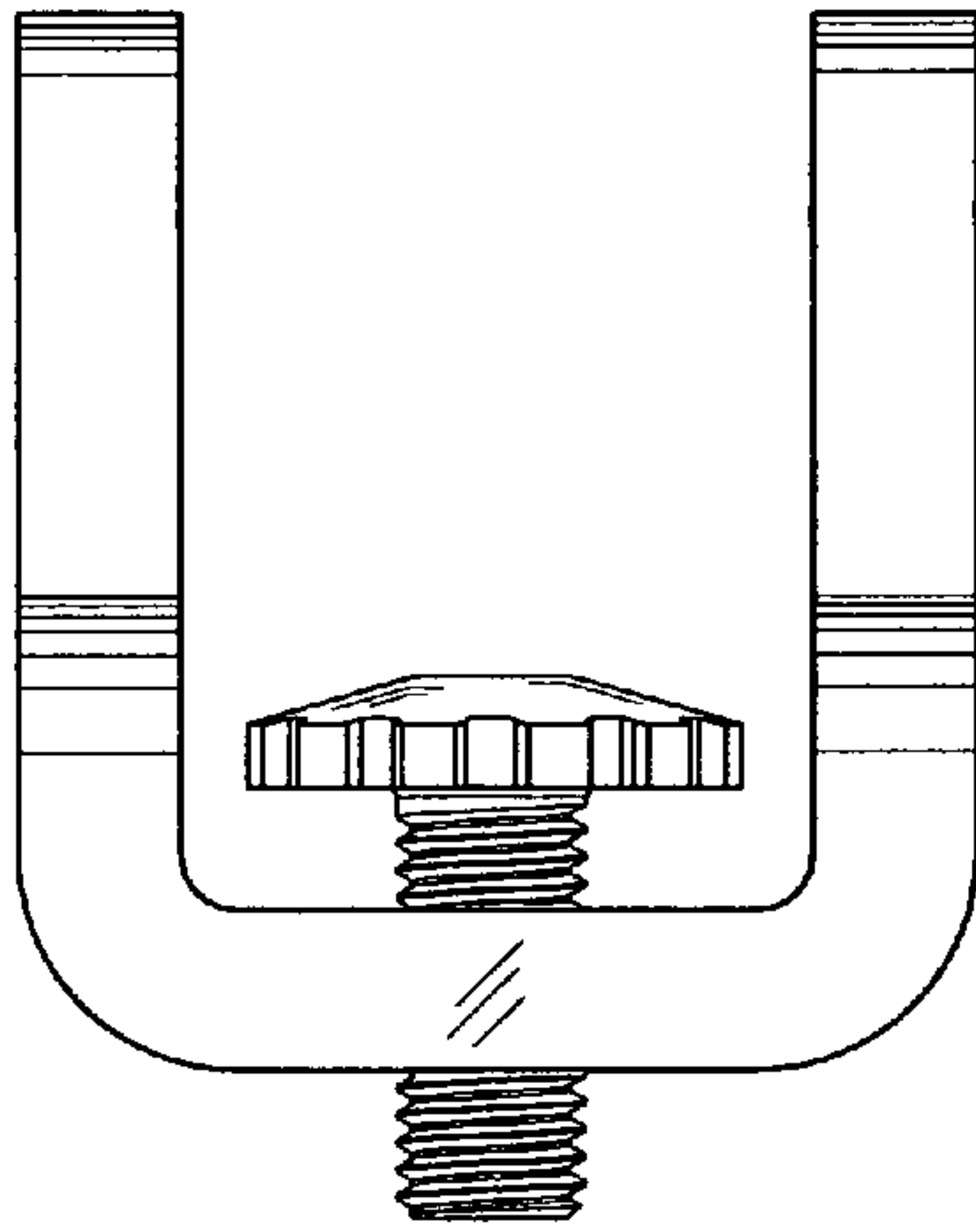


Fig. 5

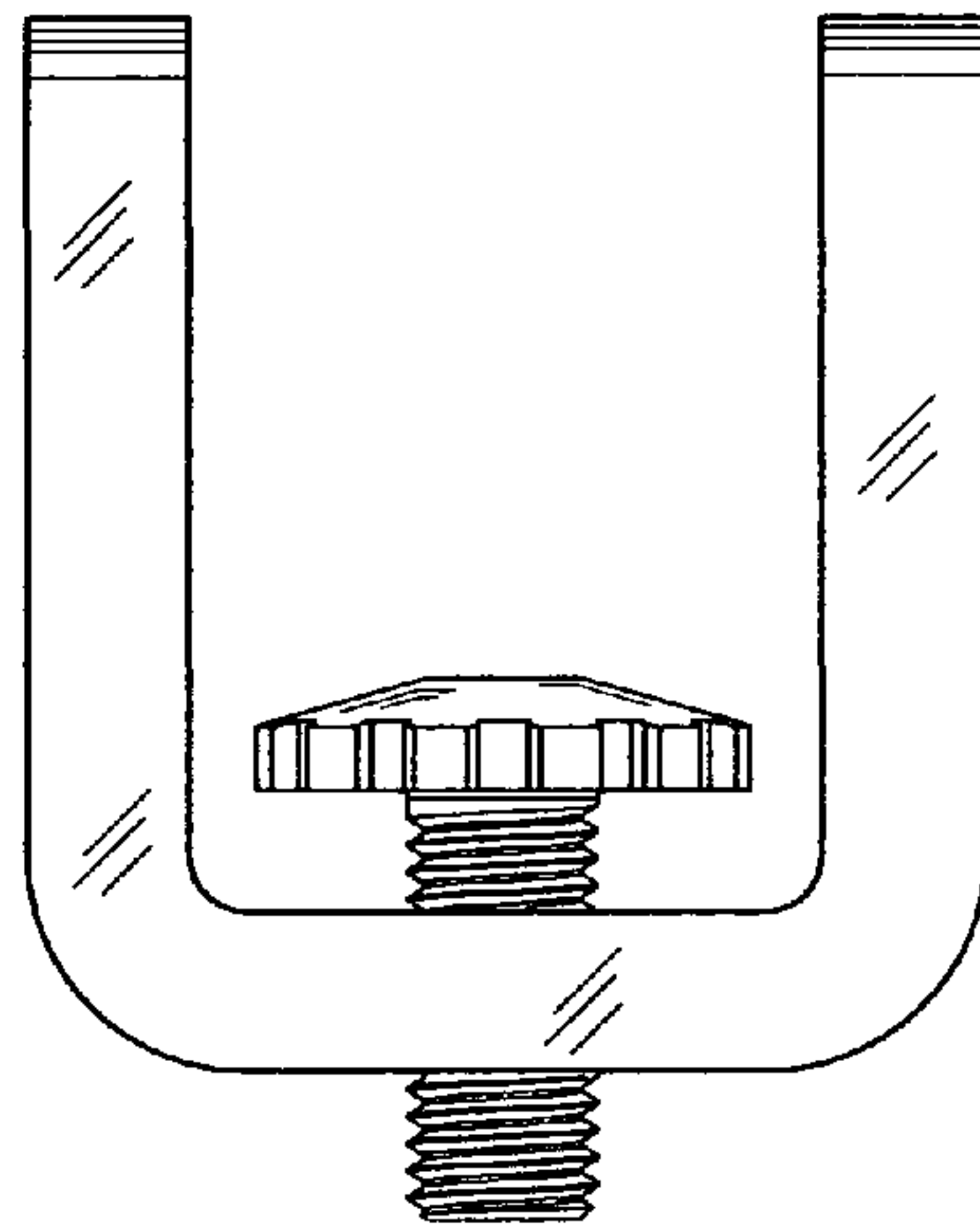


Fig. 6

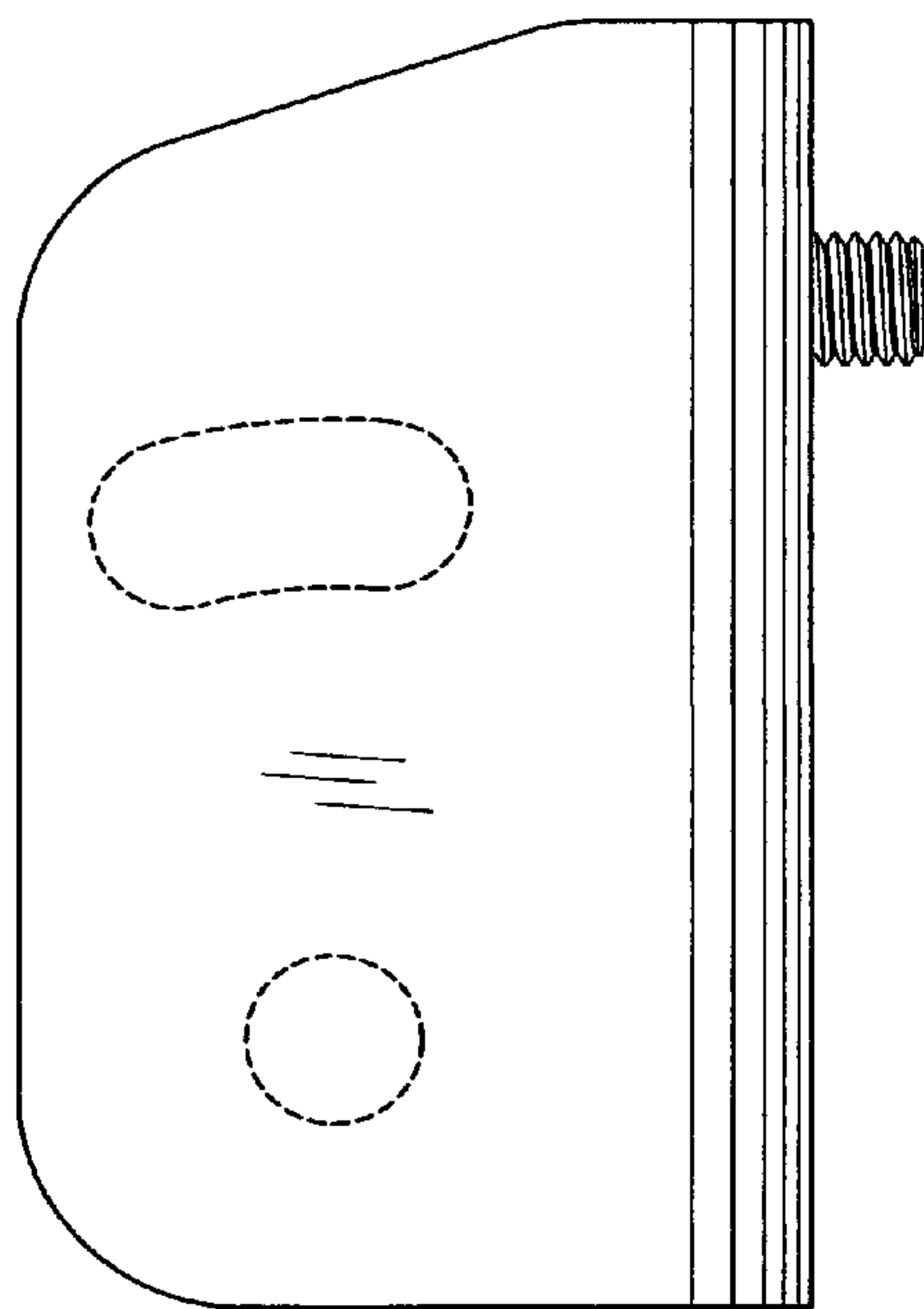


Fig. 7