



US00D685297S

(12) **United States Design Patent**
Leonard

(10) **Patent No.:** **US D685,297 S**
(45) **Date of Patent:** **** Jul. 2, 2013**

- (54) **GAS SPRING END MEMBER**
- (71) Applicant: **Firestone Industrial Products Company, LLC**, Indianapolis, IN (US)
- (72) Inventor: **Joshua R. Leonard**, Noblesville, IN (US)
- (73) Assignee: **Firestone Industrial Products Company, LLC**, Indianapolis, IN (US)
- (**) Term: **14 Years**
- (21) Appl. No.: **29/439,550**
- (22) Filed: **Dec. 12, 2012**

6,607,186	B2 *	8/2003	Voelkel	267/64.27
6,698,730	B2	3/2004	Easter		
6,746,004	B2	6/2004	Leonard et al.		
7,287,760	B1 *	10/2007	Quick et al.	280/5.512
7,380,799	B2 *	6/2008	Niaura et al.	280/5.519
7,621,538	B2	11/2009	Nordmeyer et al.		
7,637,517	B2 *	12/2009	Misawa	280/124.16
7,644,933	B2 *	1/2010	Brookes et al.	280/5.502
7,722,017	B2 *	5/2010	Holbrook et al.	267/64.16
7,871,081	B1	1/2011	Lin		
7,959,170	B2	6/2011	Mauz		
D673,886	S *	1/2013	Leonard	D12/159
D673,887	S *	1/2013	Leonard	D12/159
D674,325	S *	1/2013	Leonard	D12/159
2004/0150173	A1 *	8/2004	Burdock et al.	280/5.514
2005/0093265	A1	5/2005	Niaura et al.		
2007/0255466	A1 *	11/2007	Chiao	701/37

* cited by examiner

Related U.S. Application Data

- (62) Division of application No. 29/398,991, filed on Aug. 8, 2011, now Pat. No. Des. 673,886.
- (51) **LOC (9) Cl.** **12-16**
- (52) **U.S. Cl.**
USPC **D12/159**
- (58) **Field of Classification Search**
USPC D12/159; 280/124.155, 124.147, 280/124.145, 124.146, 86.752, 11.225; 188/281, 188/298, 297, 315, 316, 274, 286; 267/195, 267/136, 64.15, 217; 464/173; 293/134
See application file for complete search history.

Primary Examiner — Michael A Pratt

(74) *Attorney, Agent, or Firm* — Jason A. Houser; Fay Sharpe LLP

(57) **CLAIM**

The ornamental design for a gas spring end member, as shown and described.

DESCRIPTION

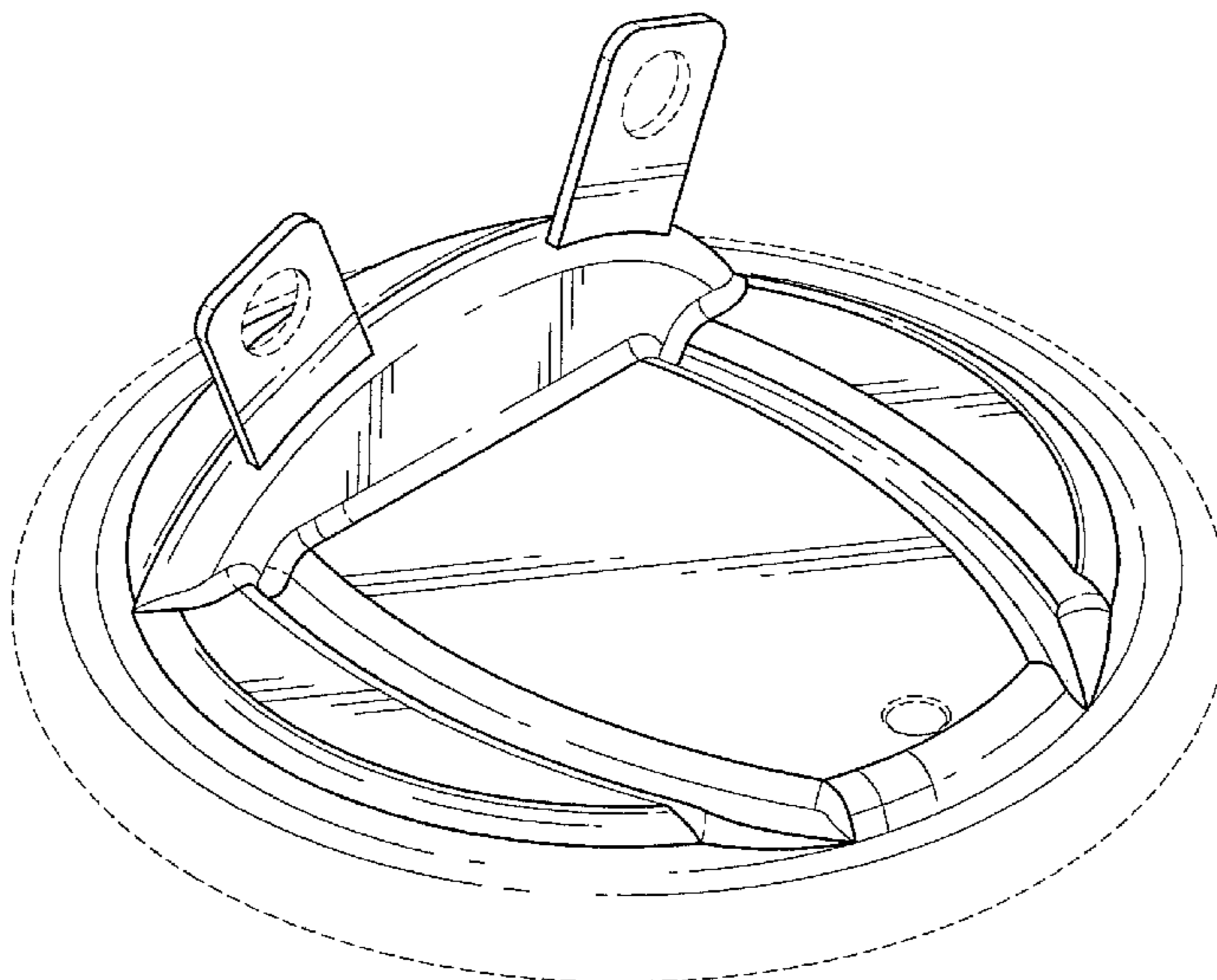
FIG. 1 is a perspective view of a gas spring end member according to my new design;
 FIG. 2 is a top plan view thereof;
 FIG. 3 is a bottom plan view thereof;
 FIG. 4 is a left side view thereof;
 FIG. 5 is a right side view thereof;
 FIG. 6 is a rear side view thereof;
 FIG. 7 is a front side view thereof; and,
 FIG. 8 is a perspective view of the gas spring end member as a part of a gas spring assembly.
 The broken lines are for illustrative purposes only and form no part of the claimed design.

(56) **References Cited**

U.S. PATENT DOCUMENTS

4,634,142	A	1/1987	Woods et al.		
4,659,104	A *	4/1987	Tanaka et al.	280/6.158
4,696,483	A *	9/1987	Takizawa et al.	280/5.514
4,718,650	A	1/1988	Geno		
5,765,860	A	6/1998	Osborn et al.		
6,036,179	A	3/2000	Rensel		
6,375,168	B2	4/2002	Behrends		
6,581,918	B2 *	6/2003	Voelkel	267/64.27

1 Claim, 6 Drawing Sheets



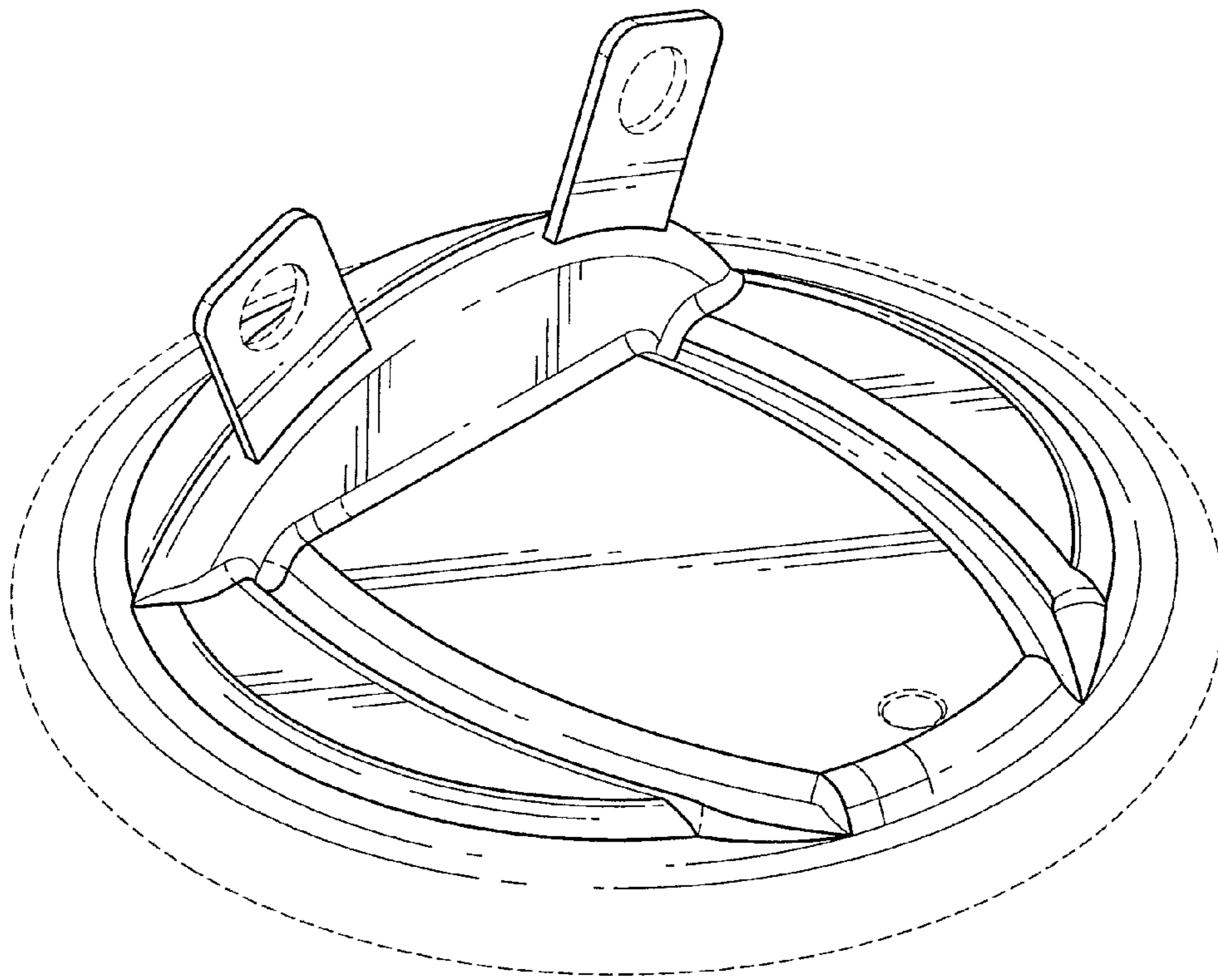


FIG. 1

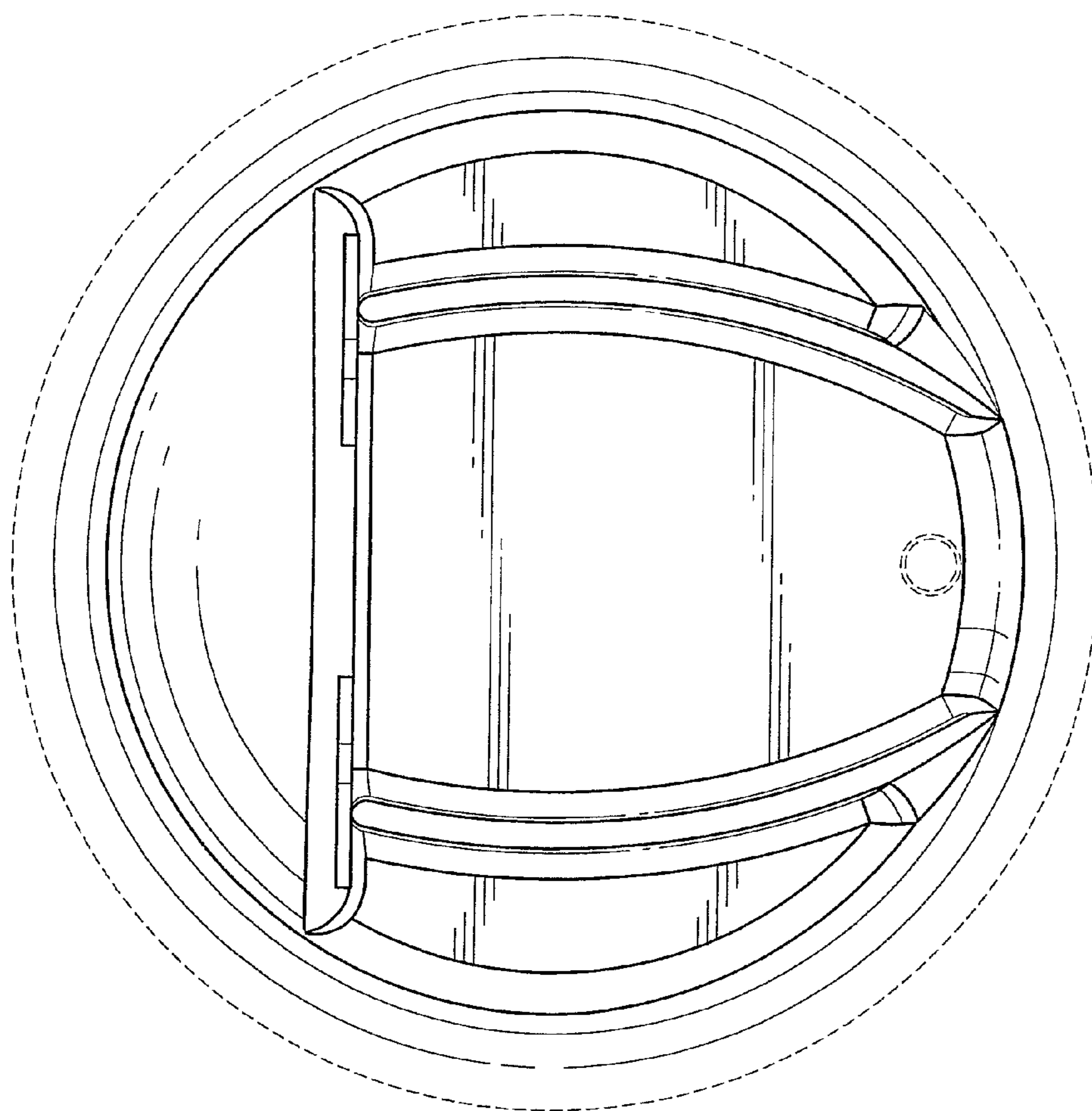


FIG. 2

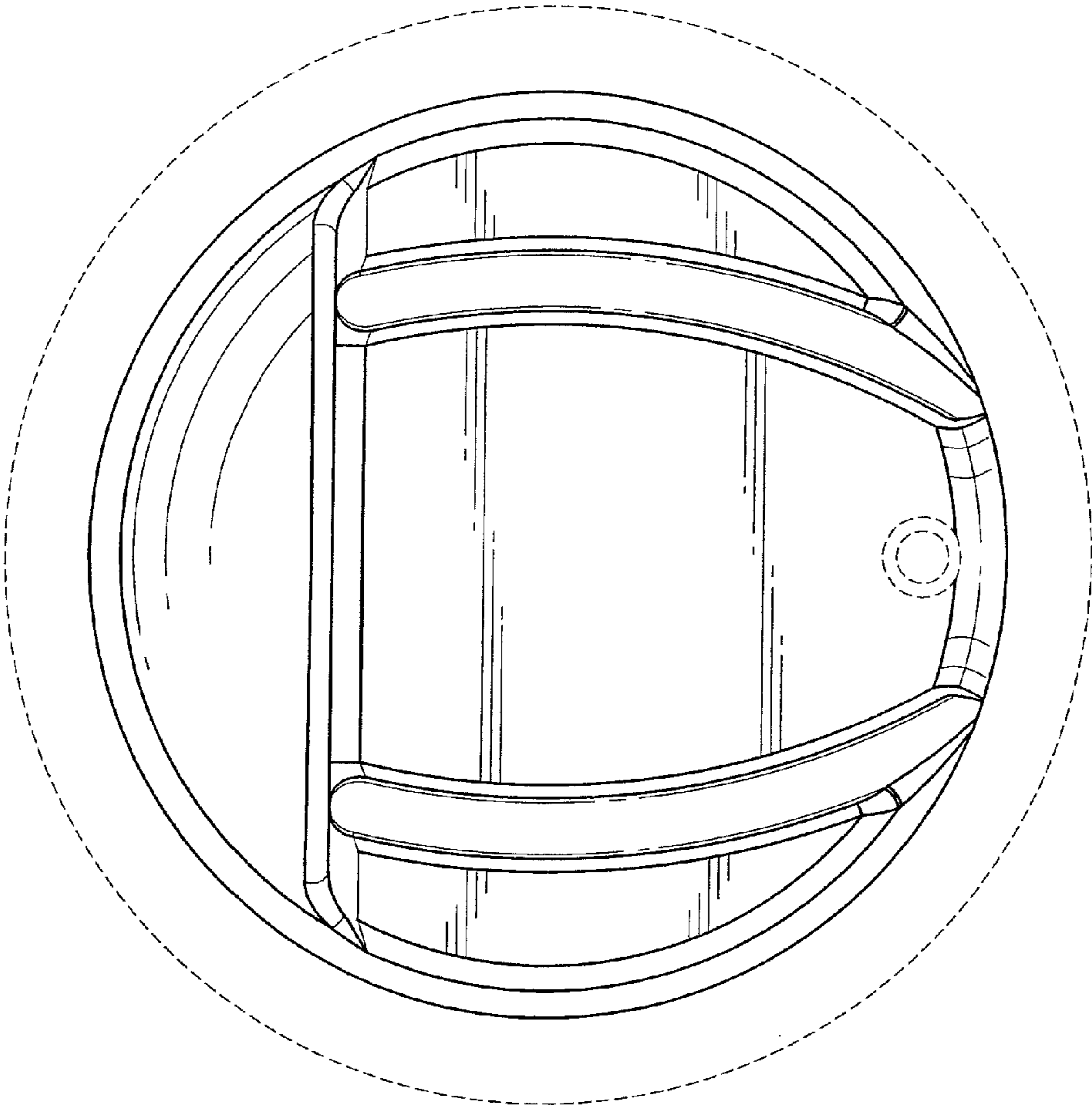


FIG. 3

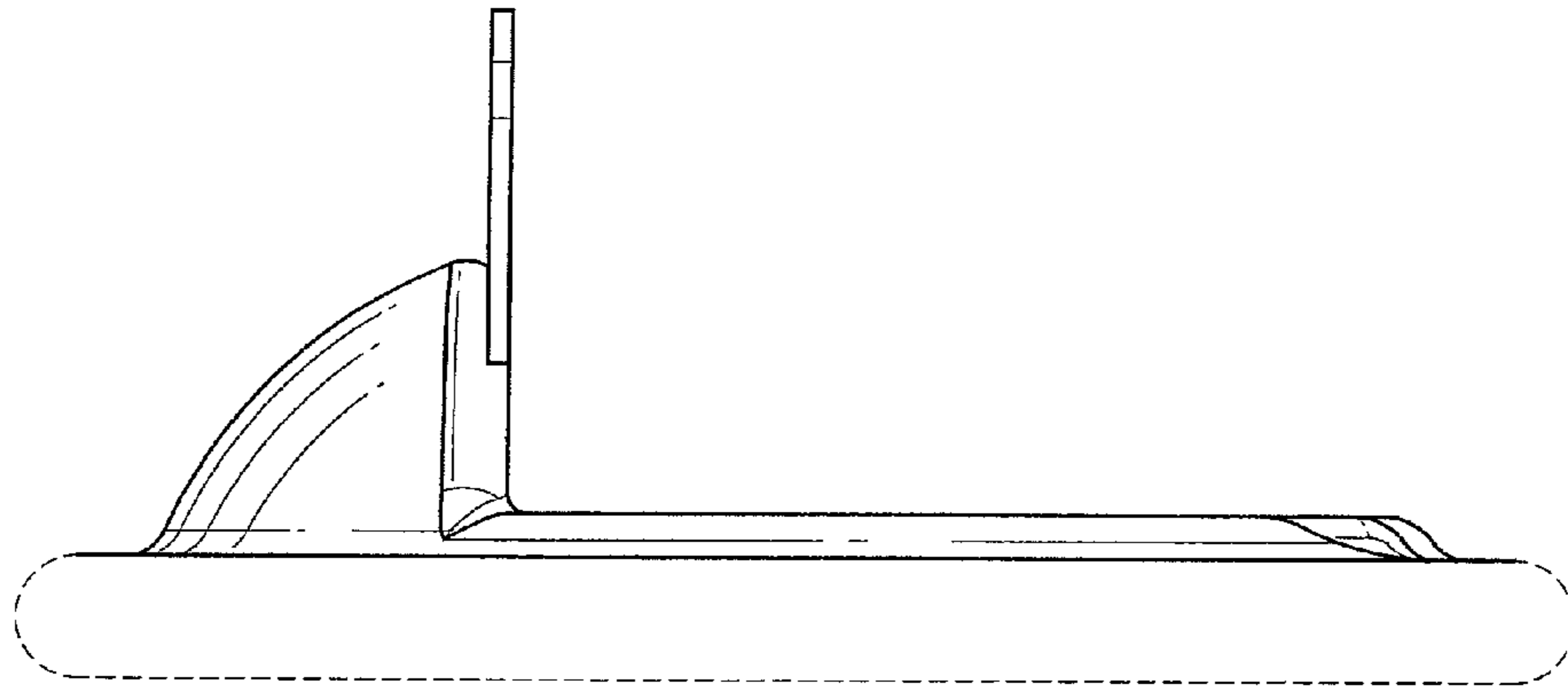


FIG. 4

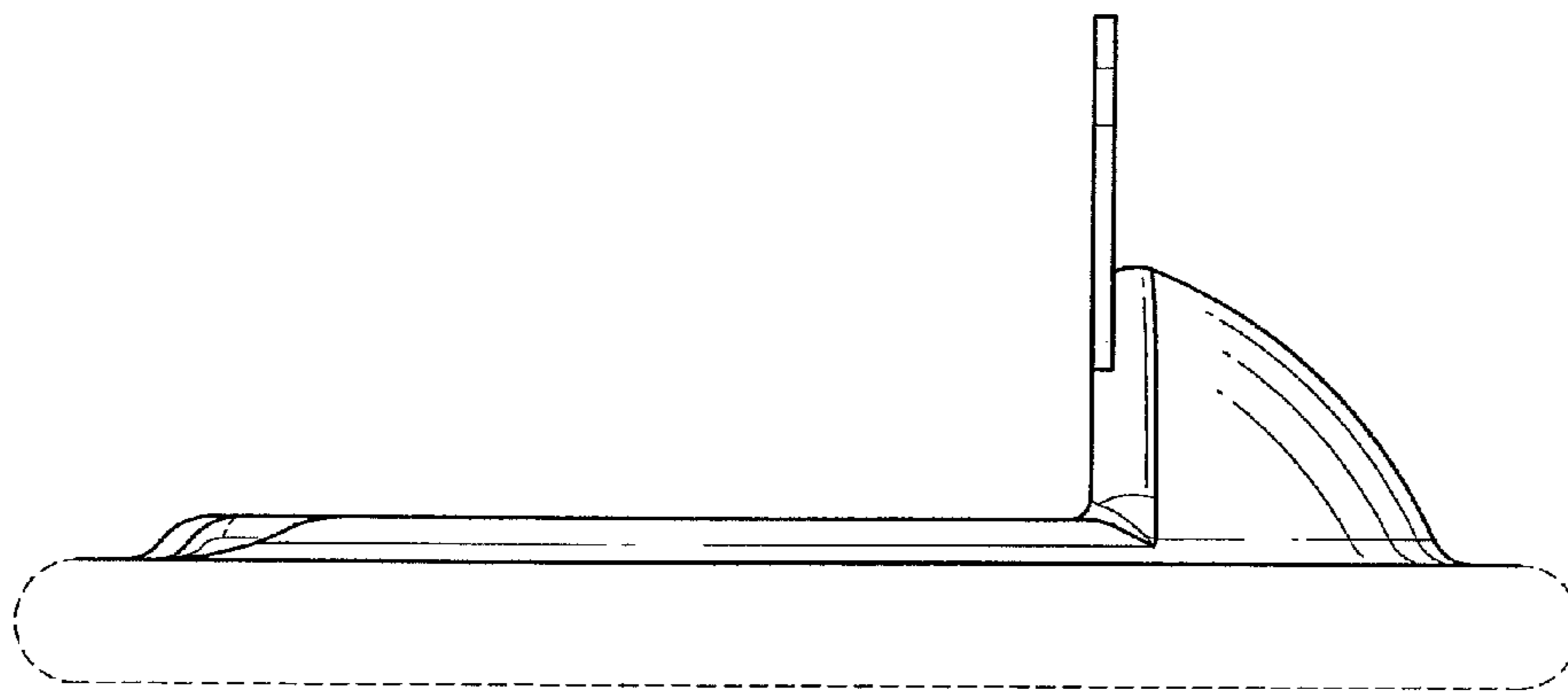


FIG. 5

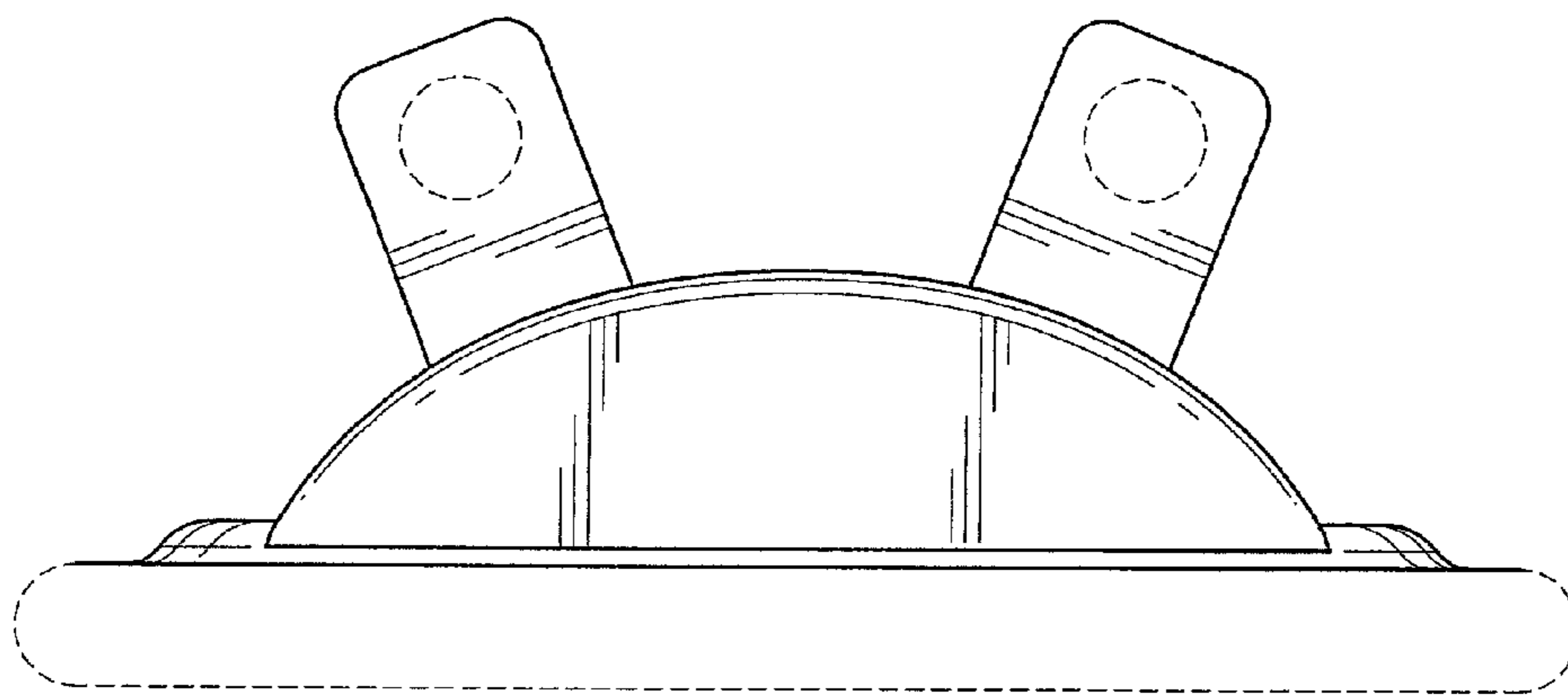


FIG. 6

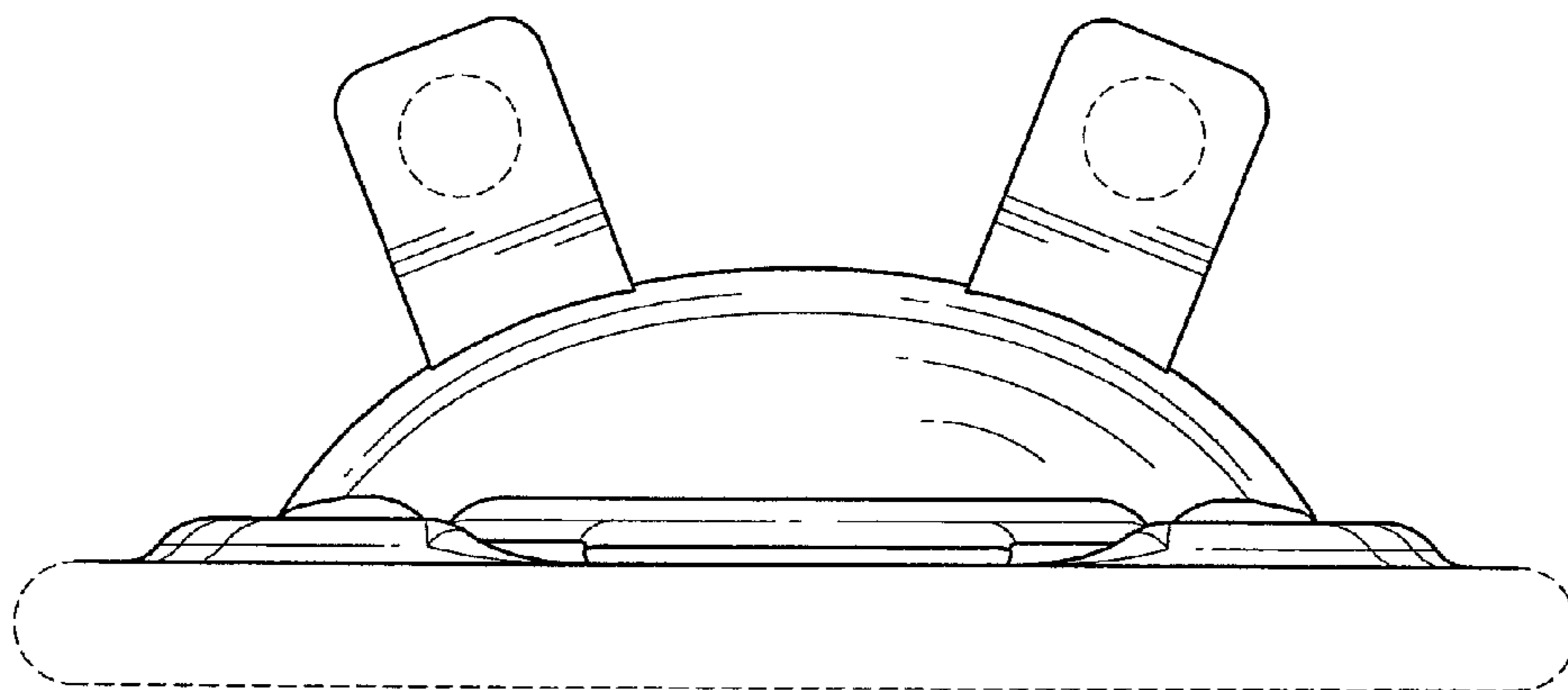


FIG. 7

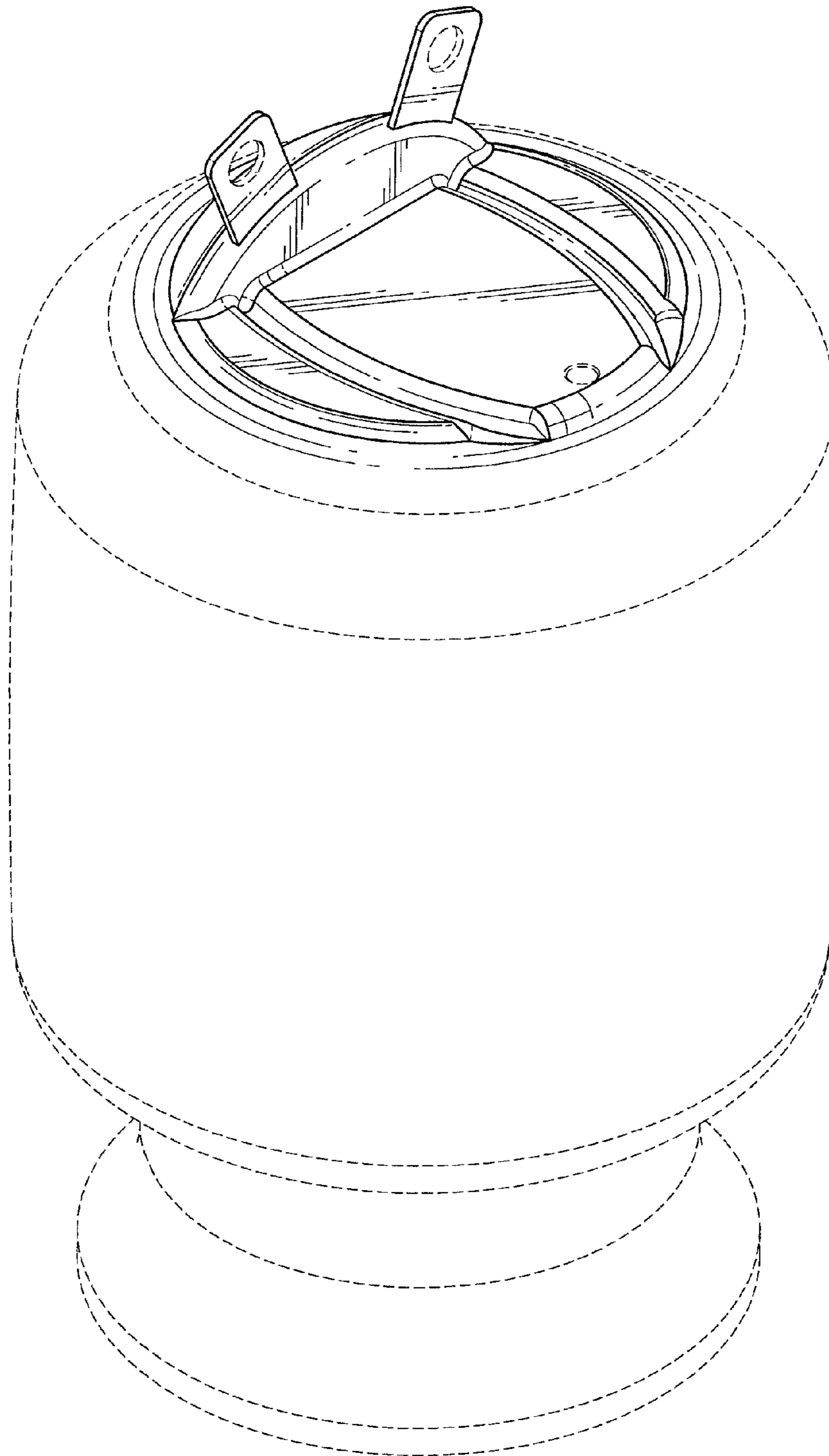


FIG. 8