



US00D685296S

(12) **United States Design Patent**
Bohata

(10) **Patent No.:** **US D685,296 S**

(45) **Date of Patent:** **** Jul. 2, 2013**

(54) **BICYCLE**

(76) Inventor: **John F. Bohata**, Nesconset, NY (US)

(**) Term: **14 Years**

(21) Appl. No.: **29/429,345**

(22) Filed: **Aug. 9, 2012**

(51) **LOC (9) Cl.** **12-11**

(52) **U.S. Cl.**
USPC **D12/111**

(58) **Field of Classification Search**
USPC . D12/111; 280/270–280, 281.1, 288.1–288.3
See application file for complete search history.

(56) **References Cited**

U.S. PATENT DOCUMENTS

- D514,988 S * 2/2006 Blankenship D12/111
- D619,050 S * 7/2010 Tolhurst et al. D12/111

D669,824 S * 10/2012 McCarty et al. D12/111

* cited by examiner

Primary Examiner — Susan M Lee

Assistant Examiner — Linda G Brooks

(74) *Attorney, Agent, or Firm* — Edwin D. Schindler

(57) **CLAIM**

The ornamental design for a bicycle, as shown and described.

DESCRIPTION

FIG. 1 is a right side perspective view of the bicycle showing the present design;

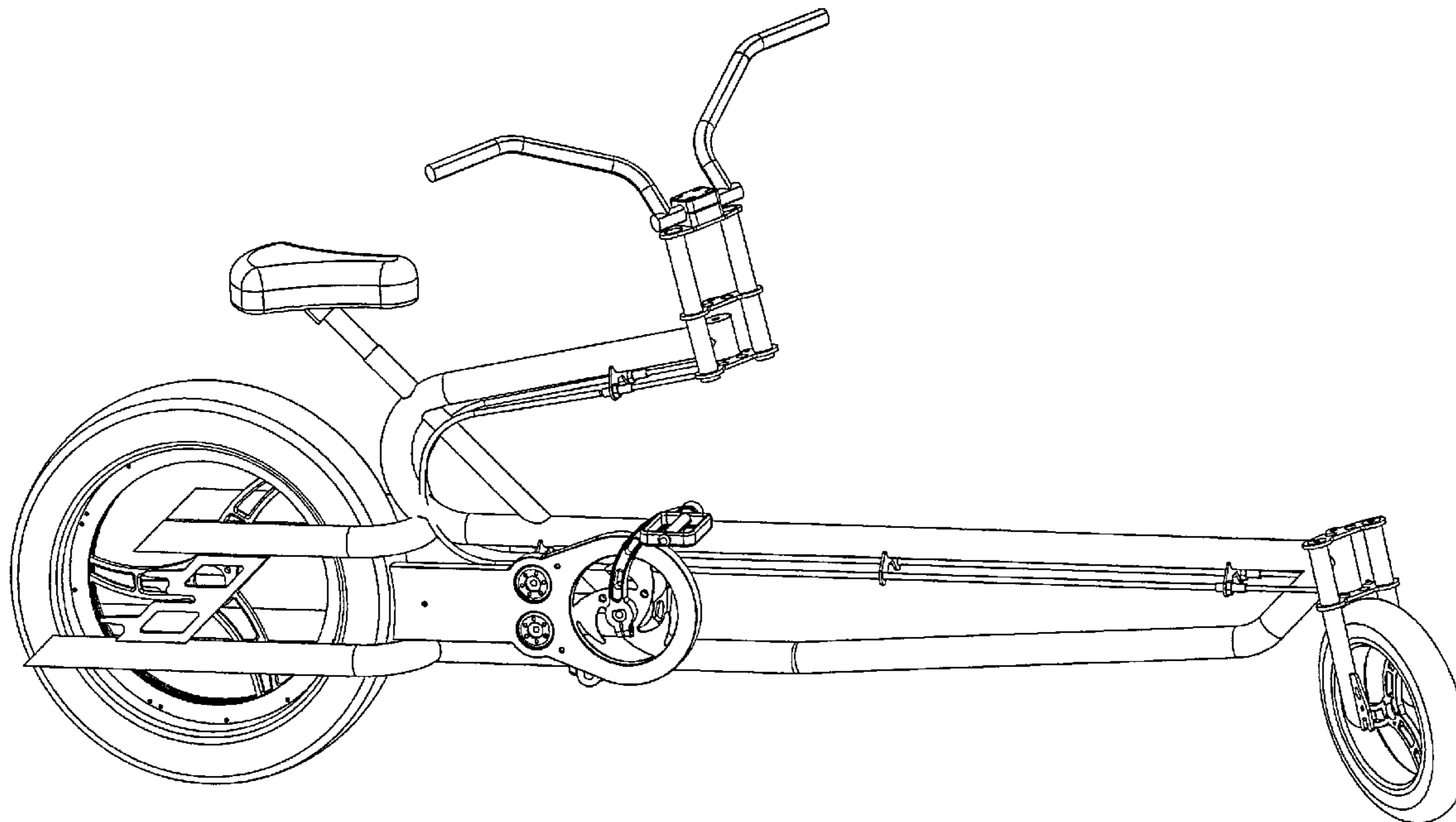
FIG. 2 is a right side, rear perspective view of the bicycle of FIG. 1;

FIG. 3 is a left side, rear perspective view of the bicycle of FIG. 1;

FIG. 4 is a right side, front perspective view of the bicycle of FIG. 1, the left side, front perspective view being a mirror image thereof; and,

FIG. 5 is a top plan view of the bicycle of FIG. 1.

1 Claim, 5 Drawing Sheets



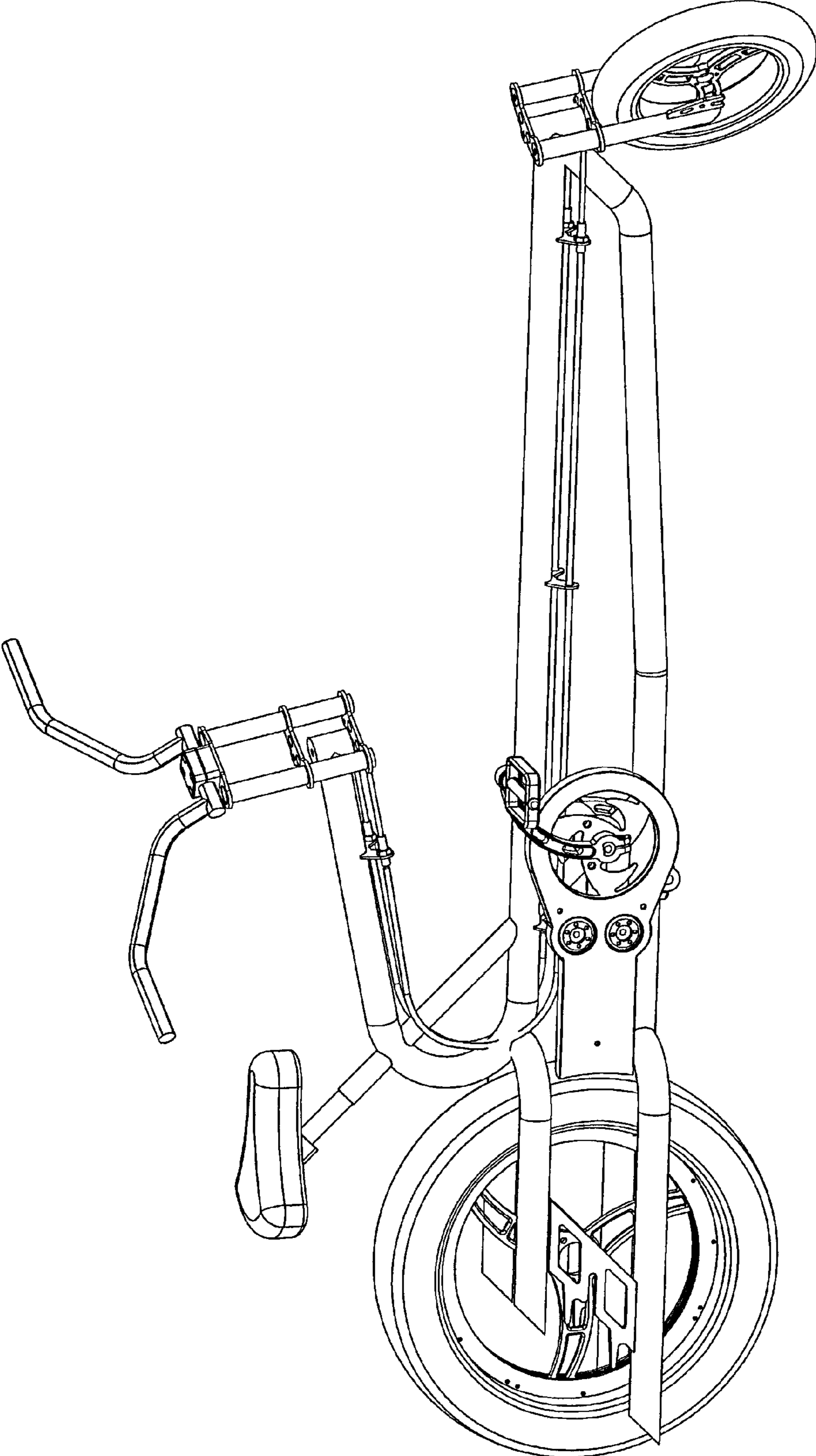


FIG. 1

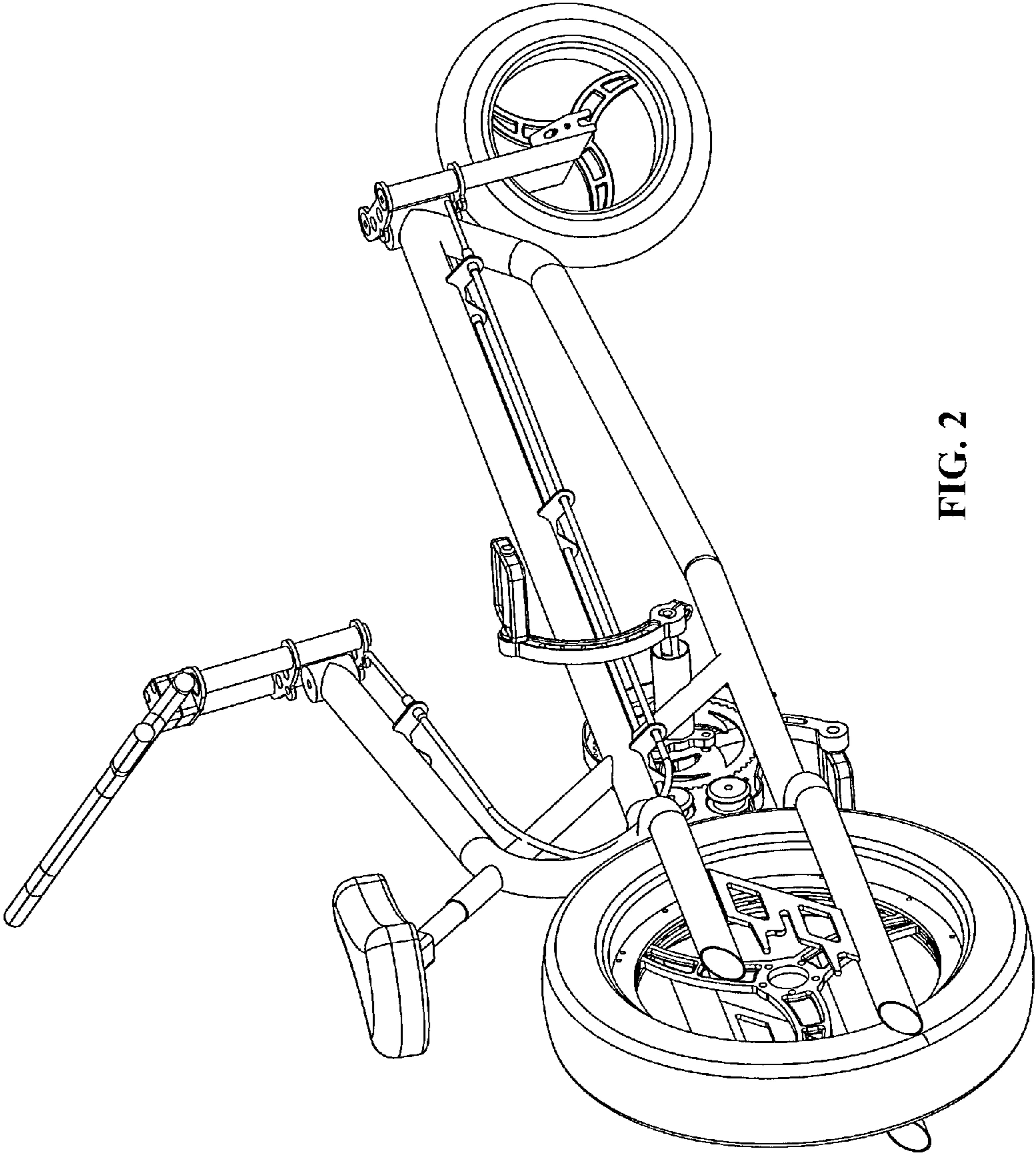


FIG. 2

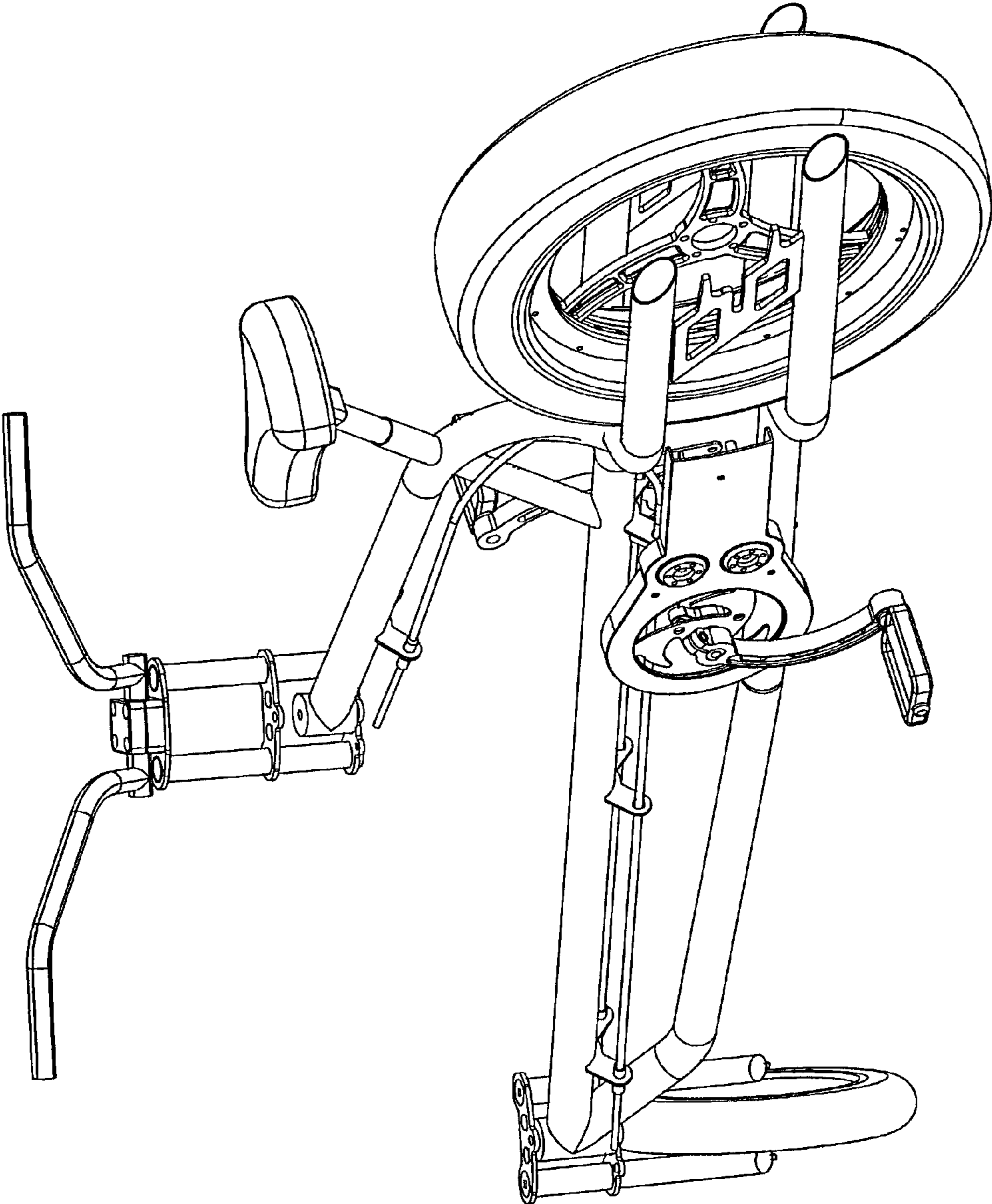


FIG. 3

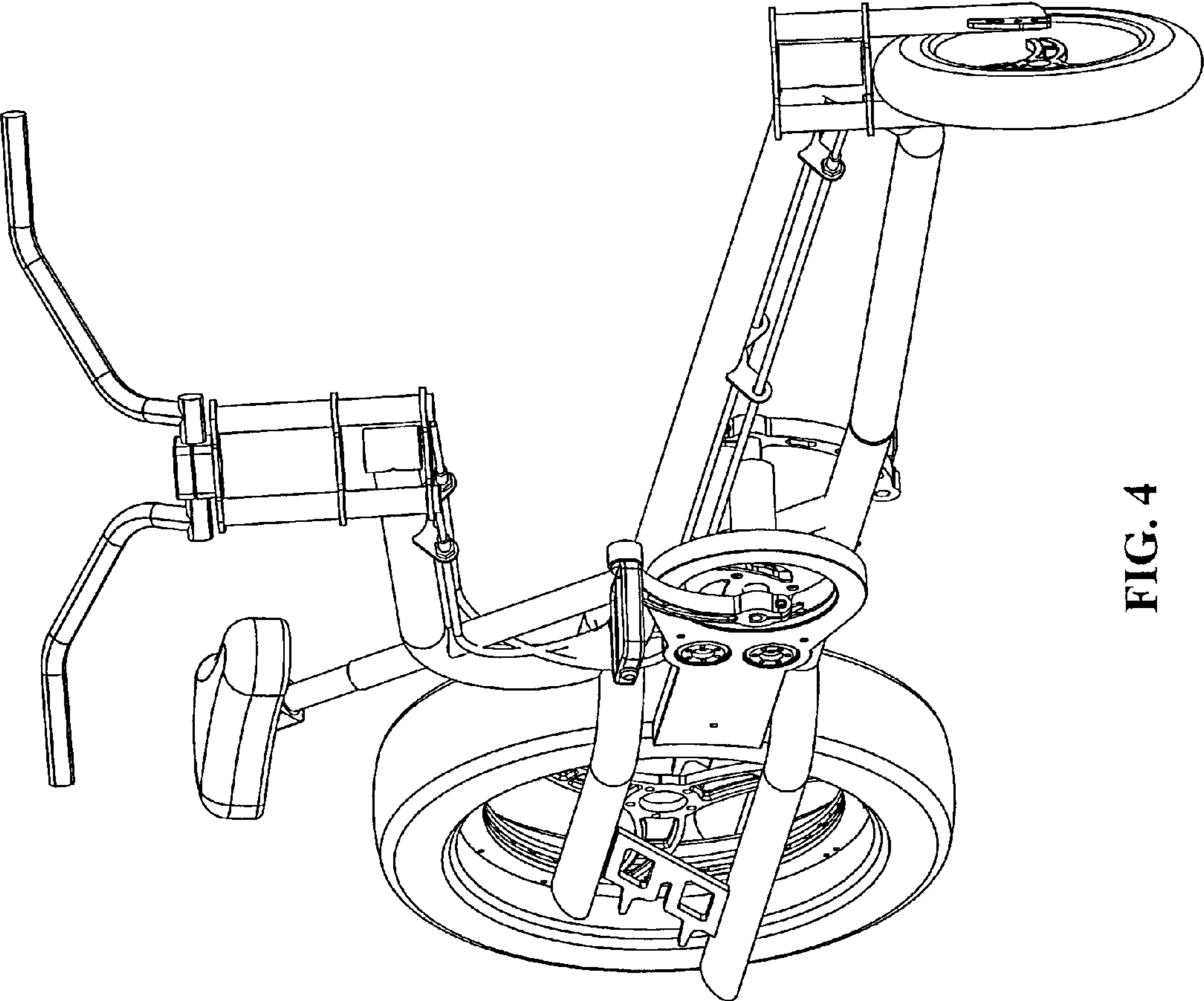


FIG. 4

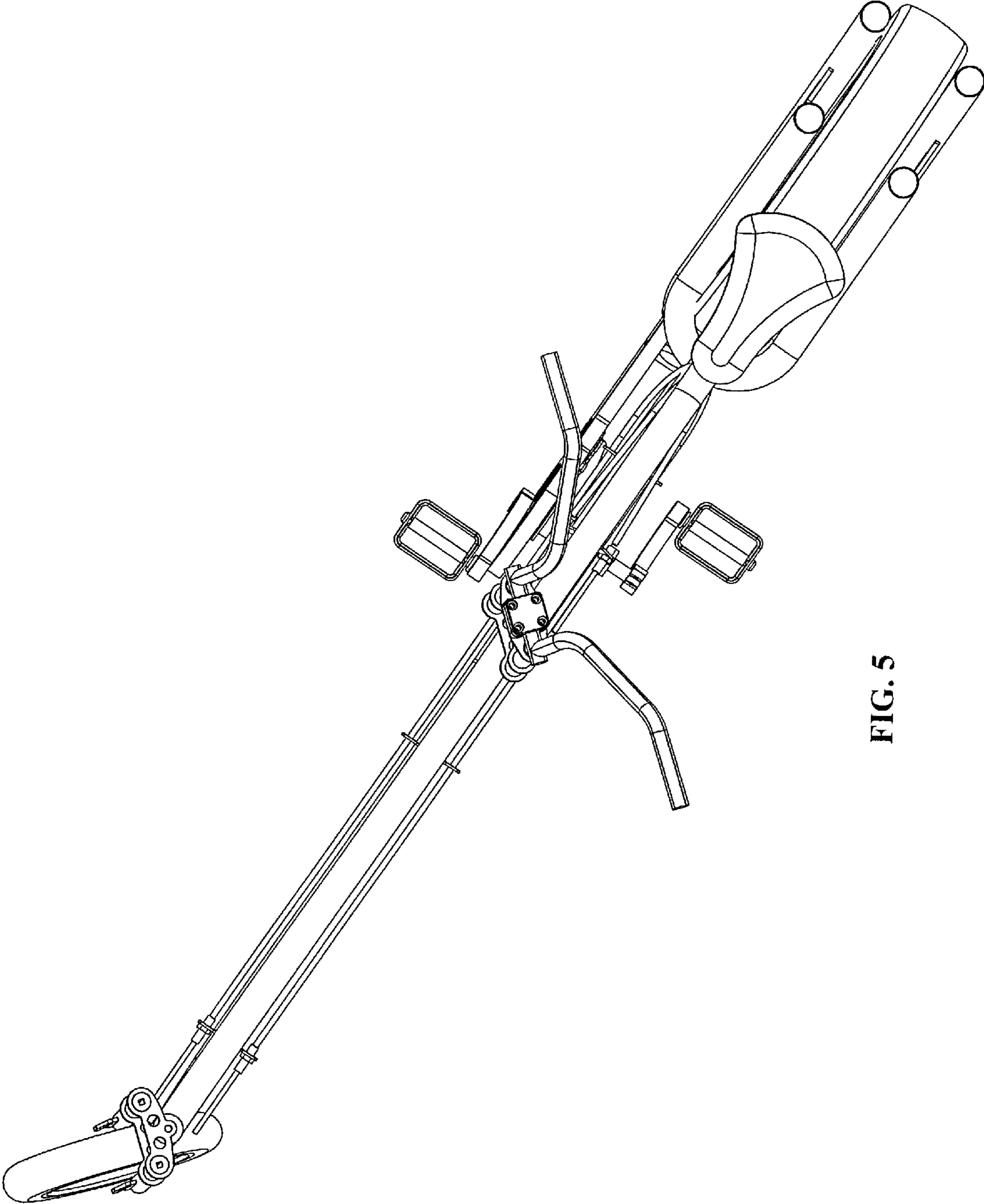


FIG. 5