



US00D685293S

(12) **United States Design Patent**  
**Badstuebner et al.**

(10) **Patent No.:** **US D685,293 S**  
(45) **Date of Patent:** **\*\* Jul. 2, 2013**

(54) **MOTOR VEHICLE, TOY REPLICA AND/OR OTHER REPLICAS**

(75) Inventors: **Achim Badstuebner**, Munich (DE);  
**Karl Witowski**, Etting (DE)

(73) Assignee: **Audi AG**, Ingolstadt (DE)

(\*\*) Term: **14 Years**

(21) Appl. No.: **29/415,325**

(22) Filed: **Mar. 9, 2012**

(30) **Foreign Application Priority Data**

Sep. 9, 2011 (EM) ..... 001914771.0001

(51) **LOC (9) Cl.** ..... **12-08**

(52) **U.S. Cl.**  
USPC ..... **D12/92; D12/82**

(58) **Field of Classification Search**  
USPC ..... D12/82, 86, 88, 90, 91, 92; D21/424,  
D21/433, 434, 548; 296/181.1, 181.5  
See application file for complete search history.

(56) **References Cited**

**U.S. PATENT DOCUMENTS**

D412,299 S *	7/1999	Shikado	.....	D12/92
D495,976 S *	9/2004	Sugimoto	.....	D12/92
D517,949 S *	3/2006	Nielander et al.	.....	D12/92
D525,914 S *	8/2006	Taylor et al.	.....	D12/92
D539,703 S *	4/2007	Woodhouse et al.	.....	D12/92
D561,645 S *	2/2008	Kim et al.	.....	D12/92
D574,752 S *	8/2008	van Braeckel	.....	D12/92
D582,312 S *	12/2008	Zheng	.....	D12/90
D593,905 S *	6/2009	Kasaba et al.	.....	D12/92
D596,078 S *	7/2009	Pfeiffer et al.	.....	D12/92
D597,448 S *	8/2009	Jacob	.....	D12/92
D603,298 S *	11/2009	Irie et al.	.....	D12/92
D605,082 S *	12/2009	Munson	.....	D12/86
D607,782 S *	1/2010	Yamazaki et al.	.....	D12/92

D610,043 S *	2/2010	Bauer et al.	.....	D12/92
D612,768 S *	3/2010	Fisker et al.	.....	D12/92
D620,534 S *	7/2010	Ramaciotti	.....	D12/92
D623,090 S *	9/2010	Cox et al.	.....	D12/92
D635,893 S *	4/2011	Baur et al.	.....	D12/92

(Continued)

**FOREIGN PATENT DOCUMENTS**

EM	000406459-0001	11/2005
EM	000569819-0001	10/2006

(Continued)

**OTHER PUBLICATIONS**

Opinion issued by Russian Patent Office (with English translation) mailed May 22, 2012 in corresponding Russian application No. 2012500670, filed Mar. 6, 2012.

*Primary Examiner* — Susan E Krakower

*Assistant Examiner* — John T Applewhite

(74) *Attorney, Agent, or Firm* — Abelman, Frayne & Schwab

(57) **CLAIM**

The ornamental design for a motor vehicle, toy replica and/or other replicas, as shown and described.

**DESCRIPTION**

FIG. 1 is a front and right side perspective view of the motor vehicle, toy replica and/or other replicas, showing our new design;

FIG. 2 is a right side elevational view of FIG. 1;

FIG. 3 is a left side elevational view of FIG. 1;

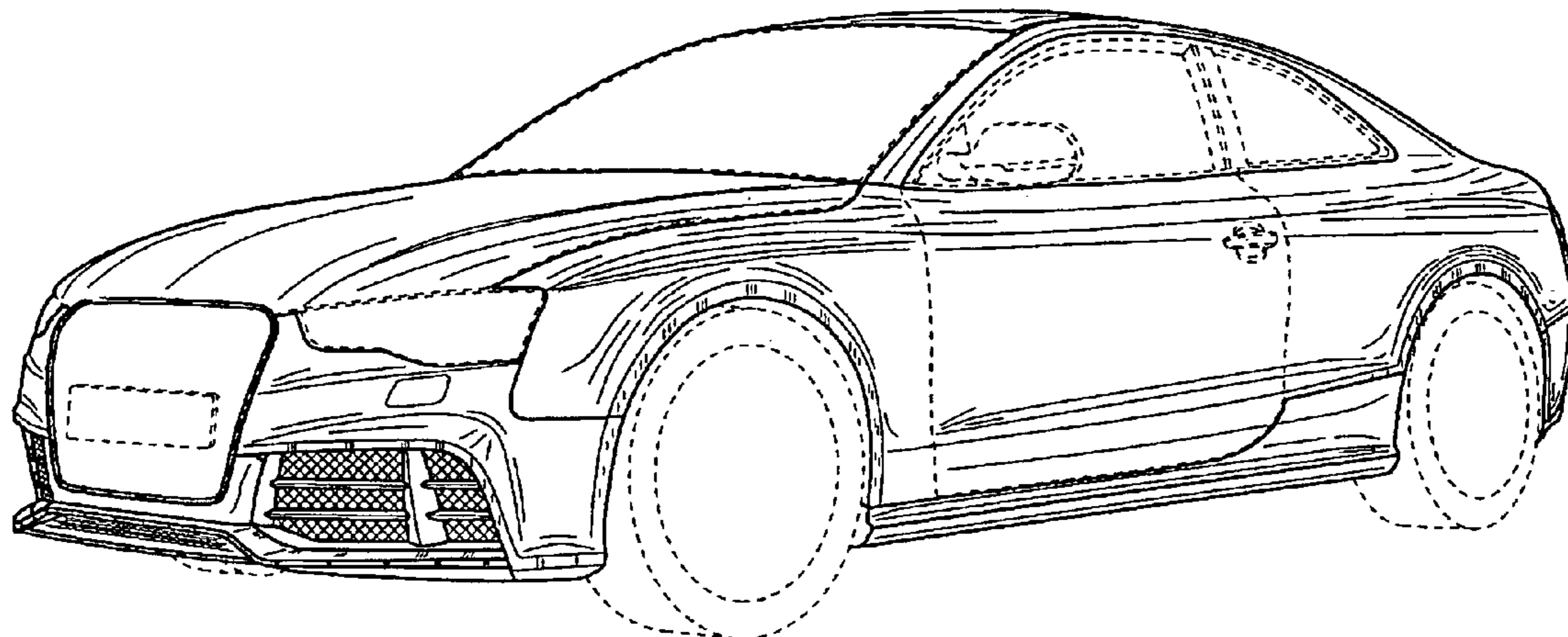
FIG. 4 is a top plan view of FIG. 1;

FIG. 5 is a rear elevational view of FIG. 1; and,

FIG. 6 is a front elevational view of FIG. 1.

The broken lines illustrate portions of the motor vehicle, toy replica and/or other replicas and environmental matter that form no part of the claimed design.

**1 Claim, 6 Drawing Sheets**



# US D685,293 S

Page 2

---

## U.S. PATENT DOCUMENTS

D638,754 S *	5/2011	Faghihzadeh .....	D12/92
D640,172 S *	6/2011	Furst .....	D12/90
D664,070 S *	7/2012	Futschik et al. ....	D12/92
D669,819 S *	10/2012	Hall et al. ....	D12/92
D671,036 S *	11/2012	Inatomi et al. ....	D12/92
D671,865 S *	12/2012	Kido et al. ....	D12/92
D672,285 S *	12/2012	Jauch Paganetti et al. ....	D12/92

## FOREIGN PATENT DOCUMENTS

EM	001086300-0001	2/2009
RU	74761 S	5/2010
RU	78114 S	4/2011
WO	DM/071574	3/2009

\* cited by examiner

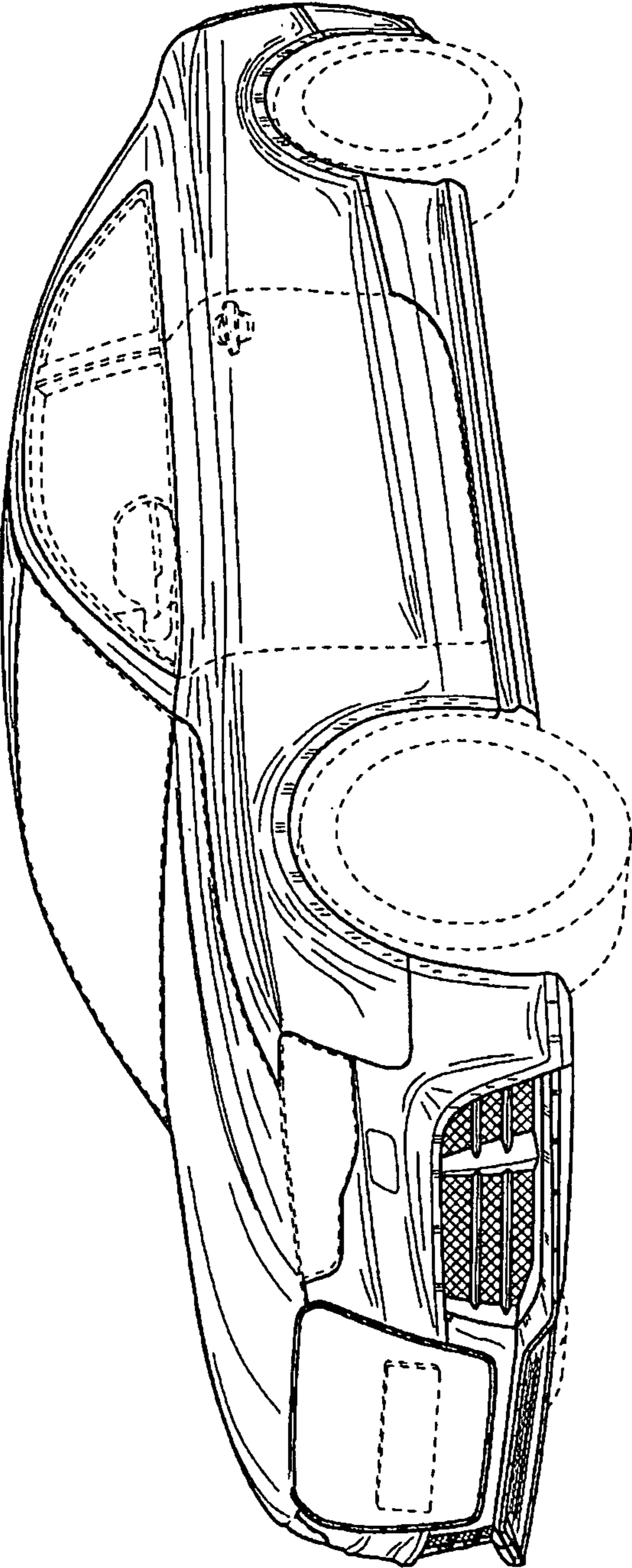


FIG. 1

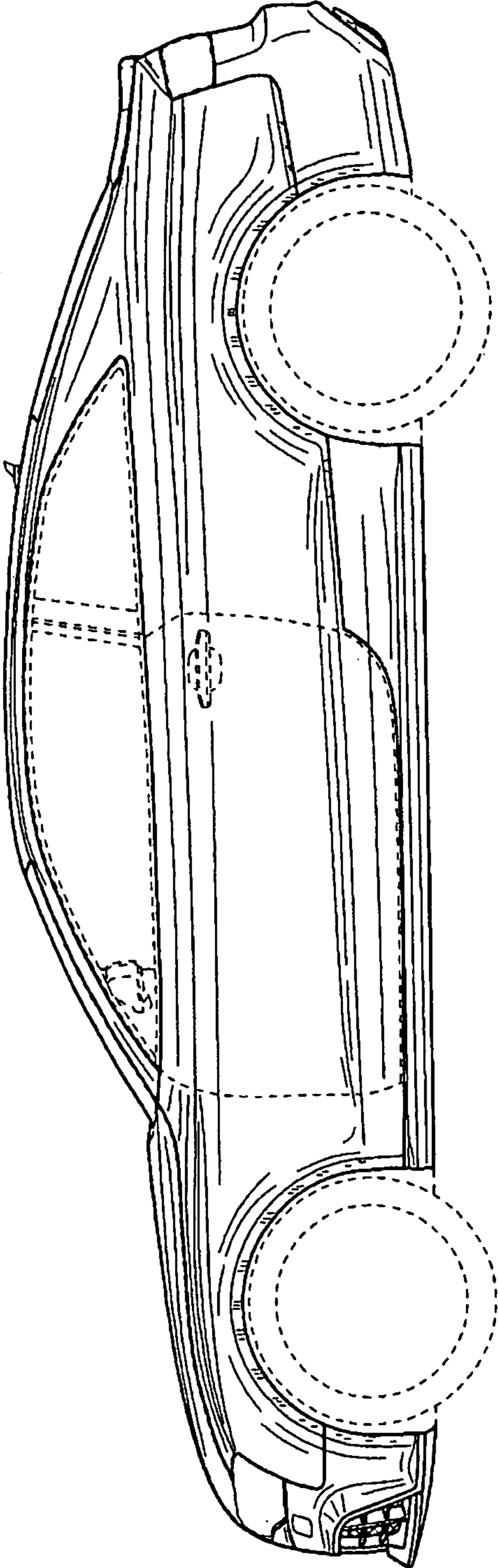


FIG. 2



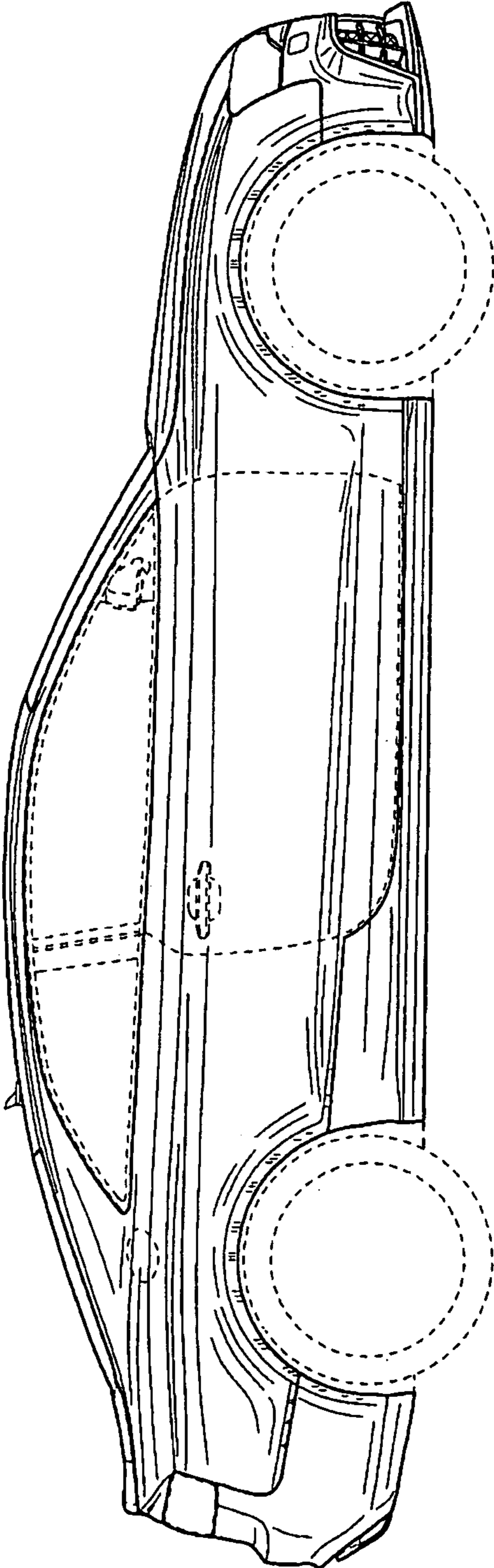


FIG. 3

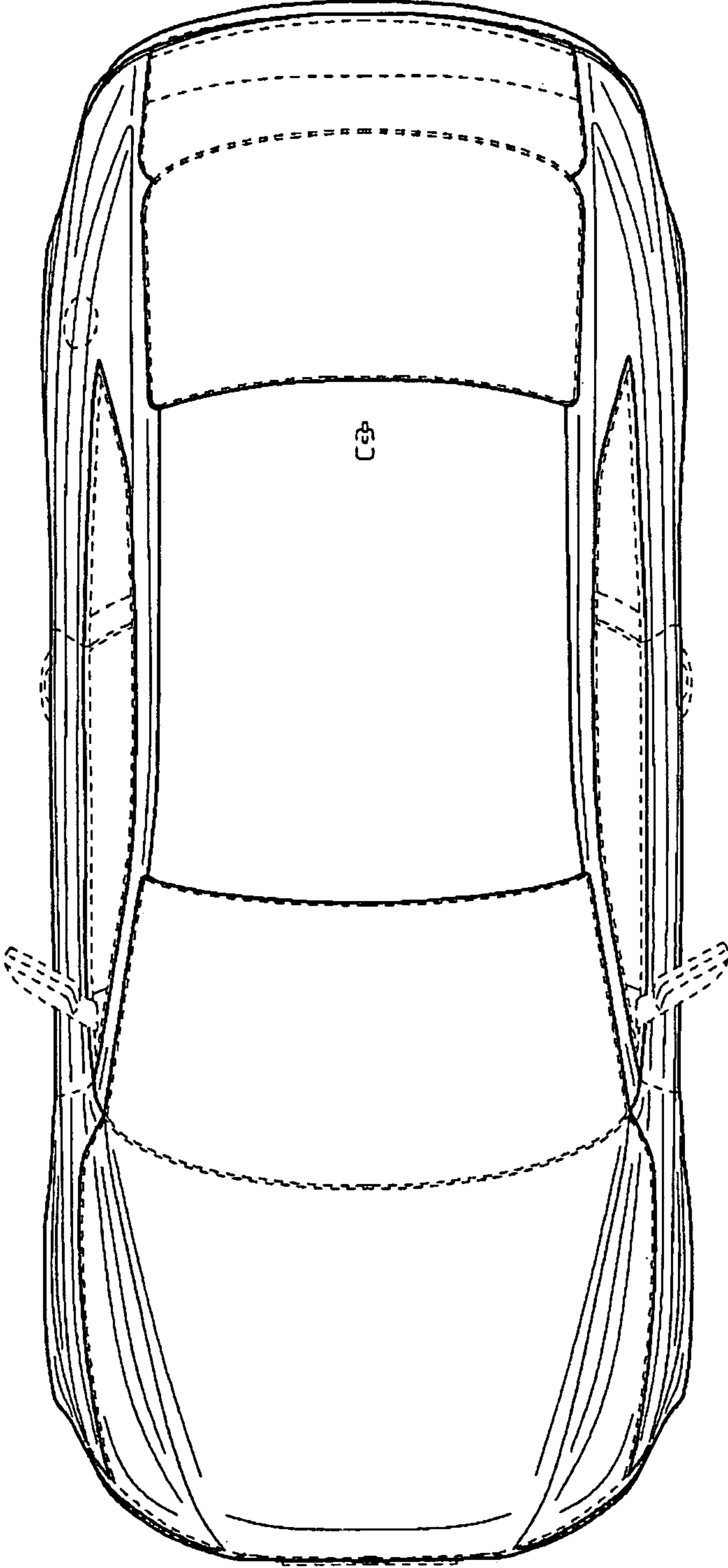


FIG. 4

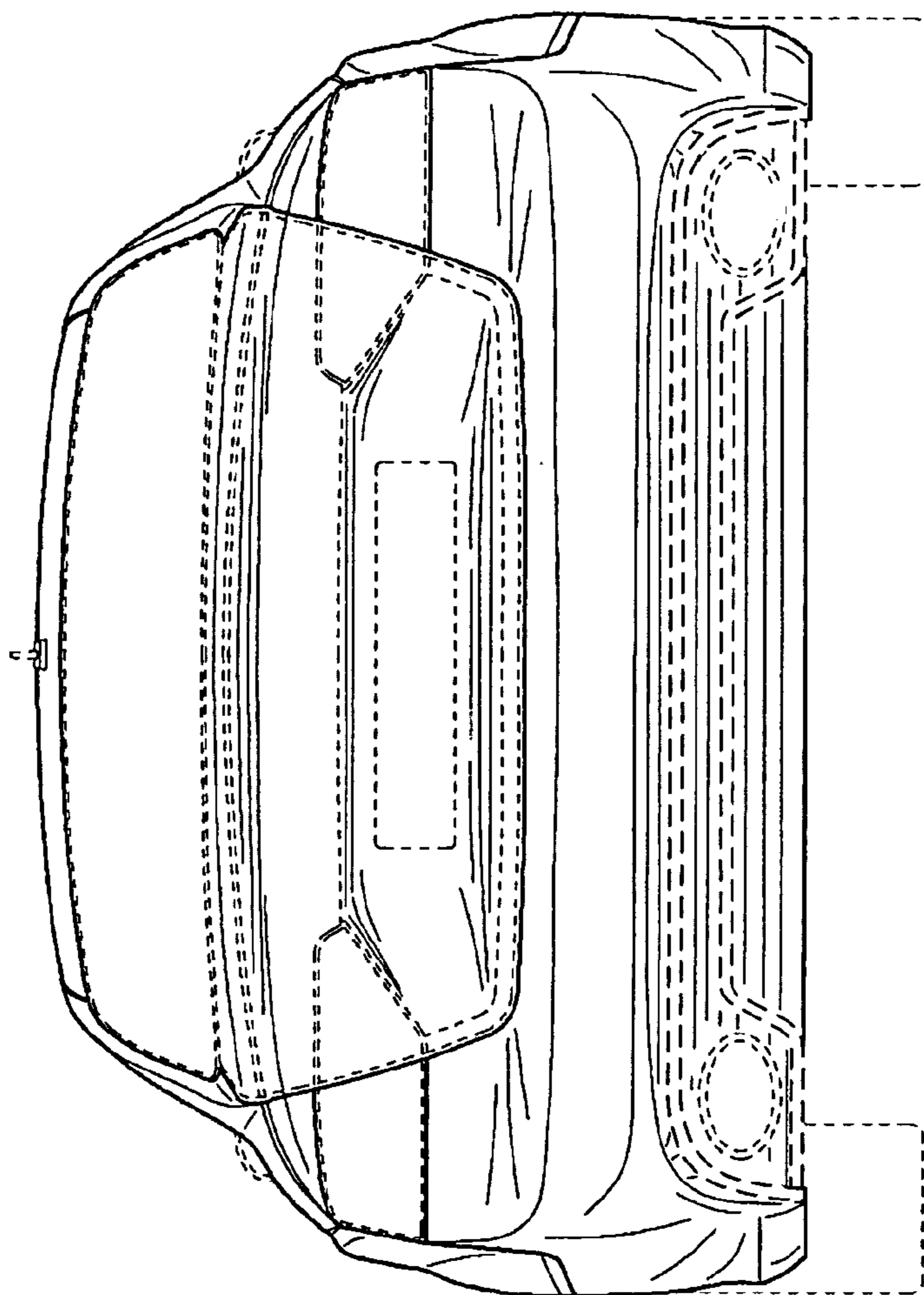


FIG. 5

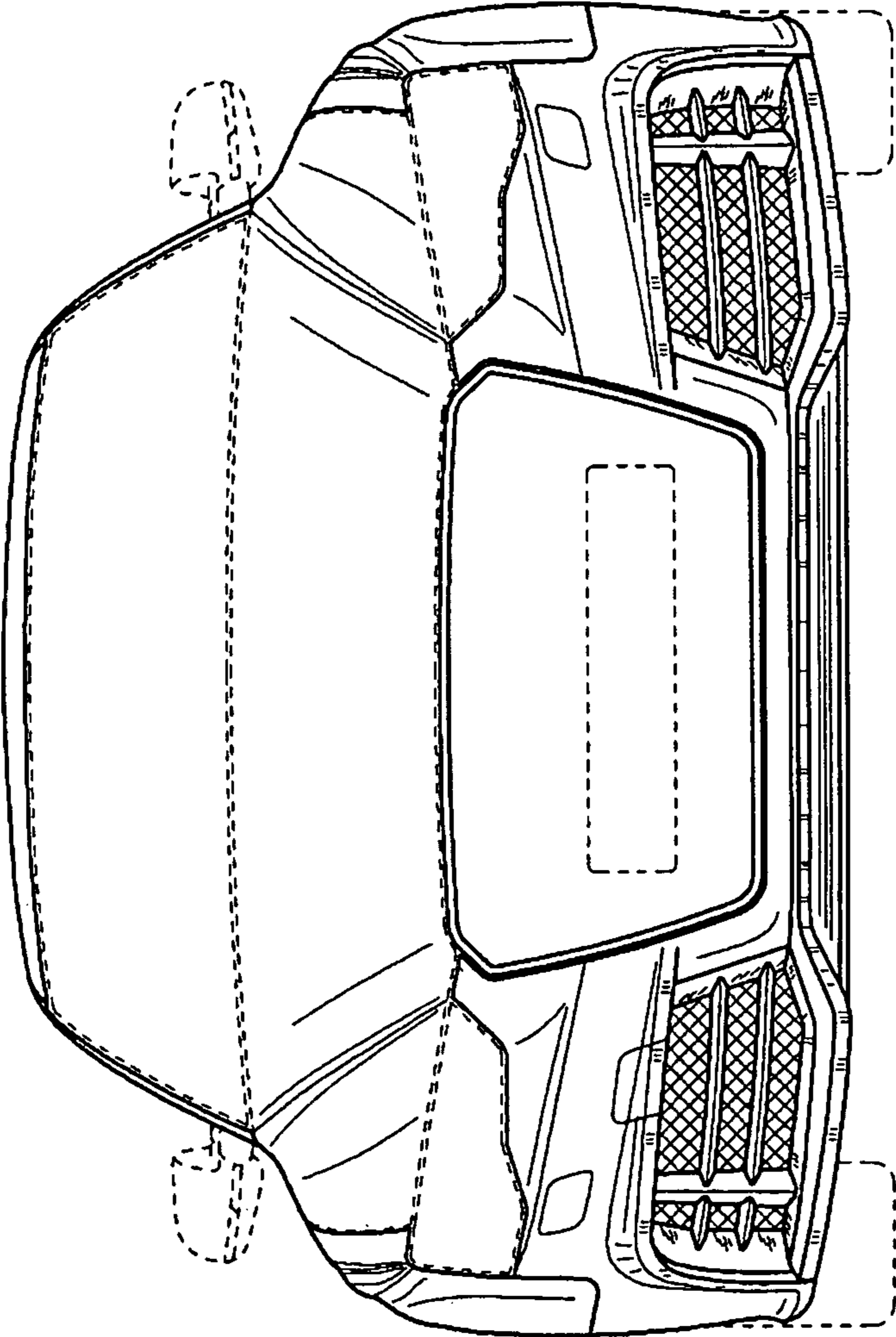


FIG. 6