



US00D685292S

(12) **United States Design Patent**
Kataguchi et al.

(10) **Patent No.:** **US D685,292 S**
(45) **Date of Patent:** **** Jul. 2, 2013**

(54) **BUCKLE**
(71) Applicant: **YKK Corporation**, Tokyo (JP)
(72) Inventors: **Ryoko Kataguchi**, Toyama (JP);
Tomoko Yagami, Tokyo (JP)
(73) Assignee: **YKK Corporation** (JP)
(**) Term: **14 Years**

D535,915 S 1/2007 Yang
D543,897 S * 6/2007 Anscher D11/218
D560,551 S * 1/2008 Uehara D11/216
7,320,160 B2 1/2008 Uehara et al.
D567,710 S * 4/2008 Kolasa et al. D11/216
D619,042 S * 7/2010 Uehara D11/216
D619,496 S * 7/2010 Paik D11/216
D625,226 S * 10/2010 Pontaoe D11/216
D633,414 S 3/2011 Pontaoe
D635,057 S 3/2011 Pontaoe

* cited by examiner

(21) Appl. No.: **29/437,847**
(22) Filed: **Nov. 21, 2012**

Primary Examiner — Ralf Seifert
(74) *Attorney, Agent, or Firm* — Kilpatrick Townsend & Stockton LLP

(30) **Foreign Application Priority Data**
May 25, 2012 (JP) 2012-012287
(51) **LOC (9) Cl.** **02-07**
(52) **U.S. Cl.**
USPC **D11/216**
(58) **Field of Classification Search**
USPC D11/1-2, 200-201, 206-210, 214-218;
24/163 R, 169-171, 173, 177-179, 191,
194-195, 197, 200, 614-616, 625, 198
See application file for complete search history.

(57) **CLAIM**
The ornamental design for a buckle, as shown and described.

(56) **References Cited**
U.S. PATENT DOCUMENTS
D519,878 S 5/2006 Anscher
7,100,252 B2 * 9/2006 Anscher 24/615

DESCRIPTION
FIG. 1 is a perspective view of the bottom, front and right side of a buckle showing my (our) new design;
FIG. 2 is a front view thereof;
FIG. 3 is a rear view thereof;
FIG. 4 is a left side view thereof;
FIG. 5 is a right side view thereof;
FIG. 6 is a top plan view thereof;
FIG. 7 is a bottom view thereof; and,
FIG. 8 is an exploded perspective view thereof.

1 Claim, 8 Drawing Sheets

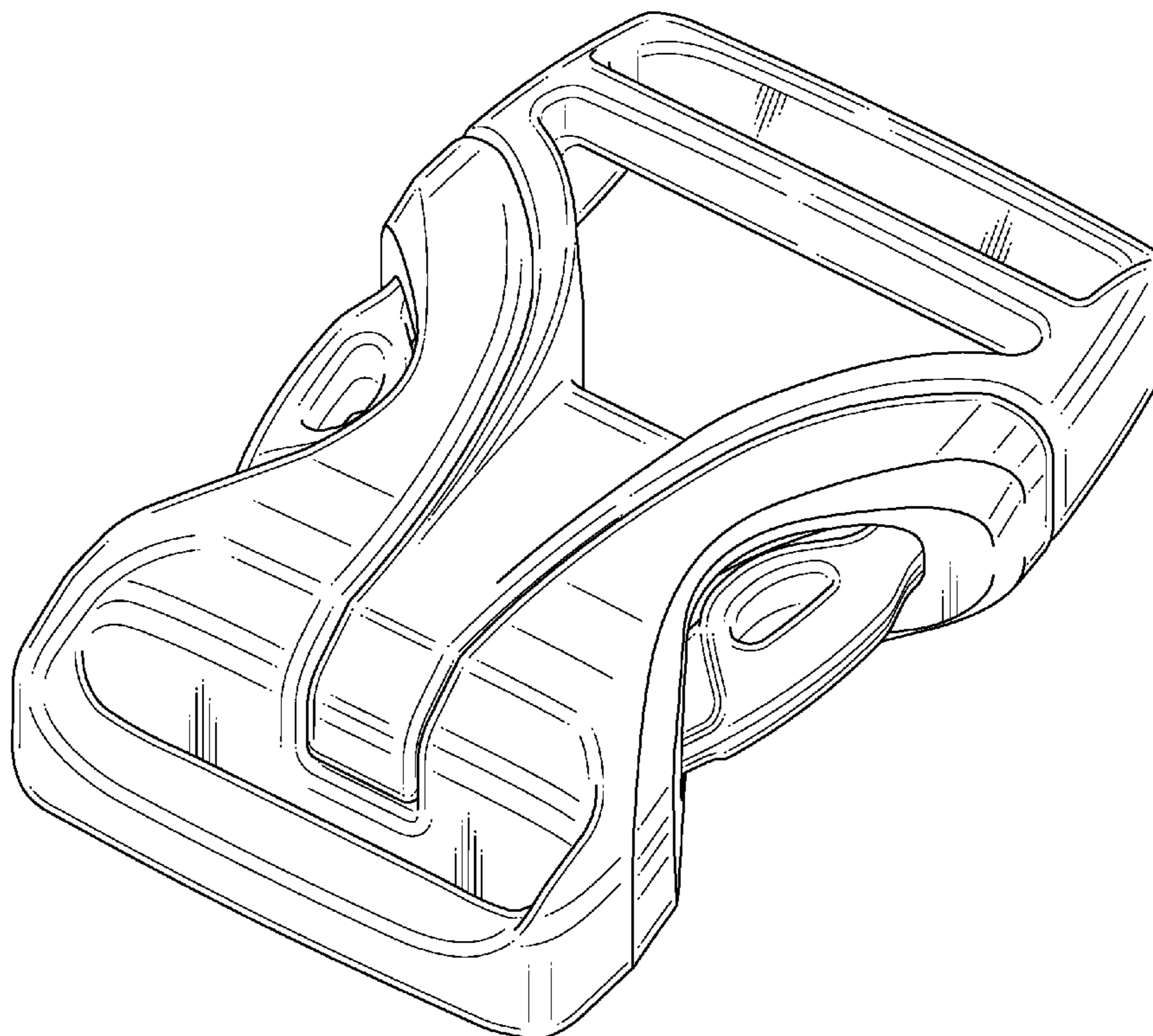


Fig. 1

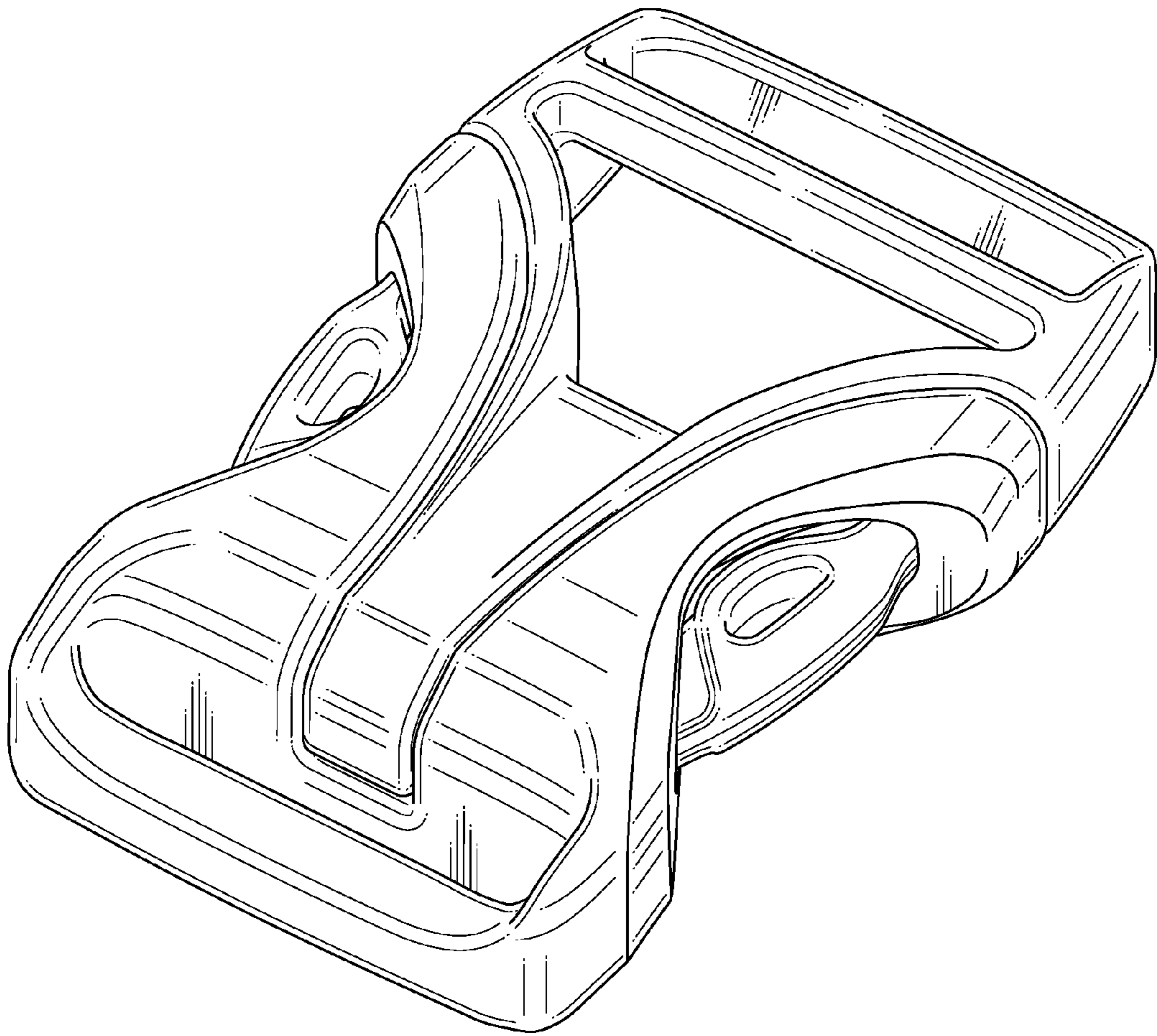


Fig. 2

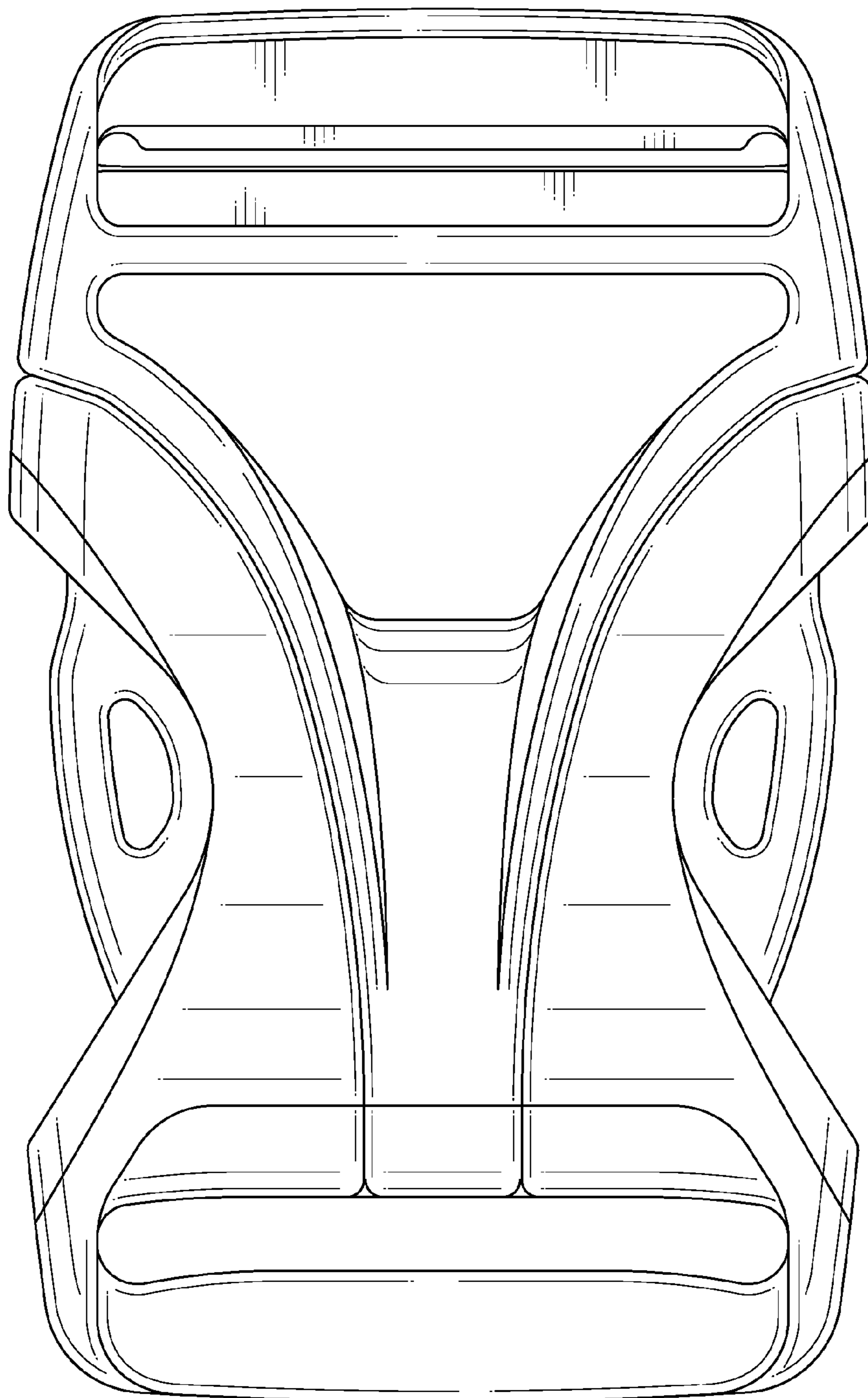


Fig. 3

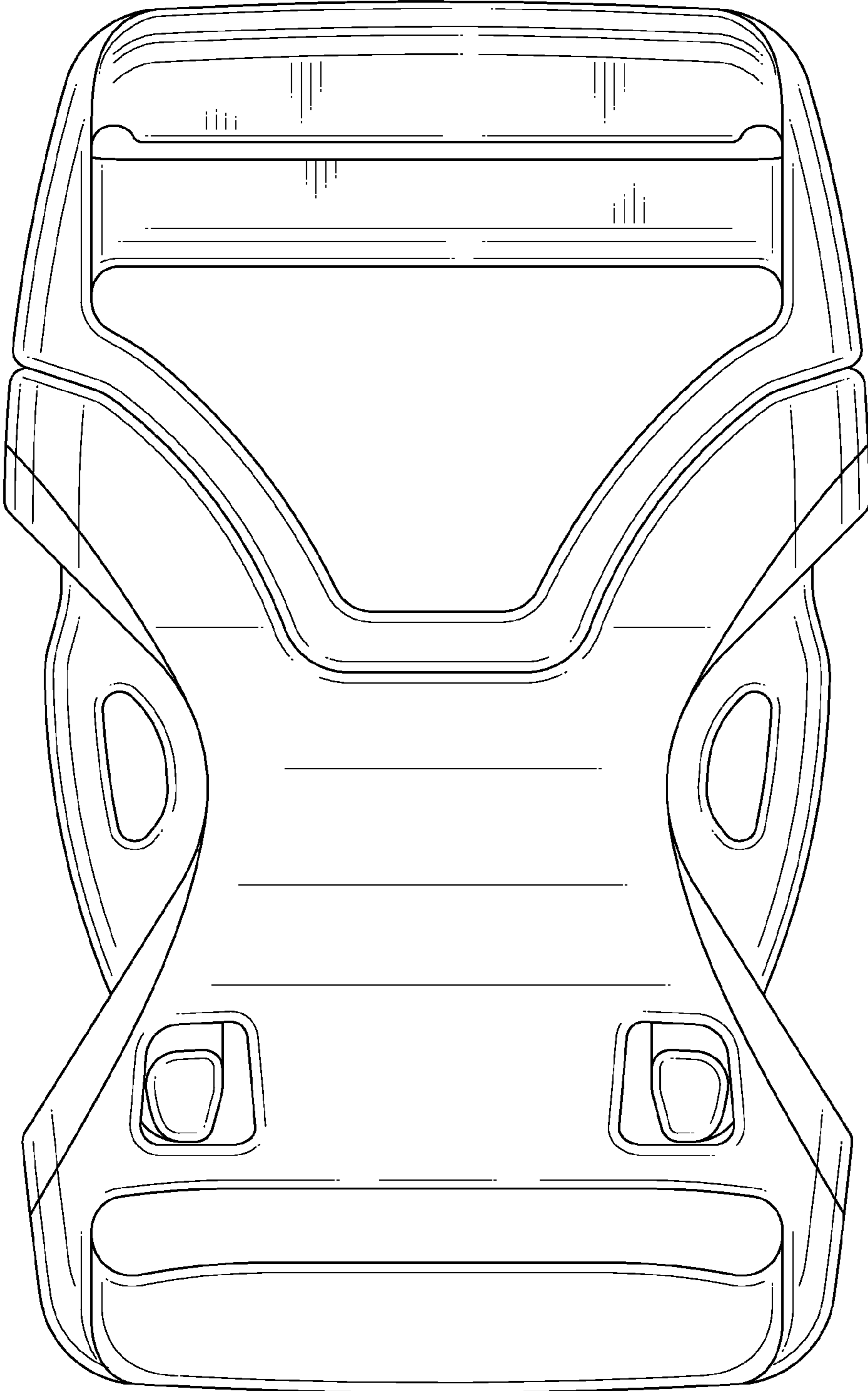


Fig. 4

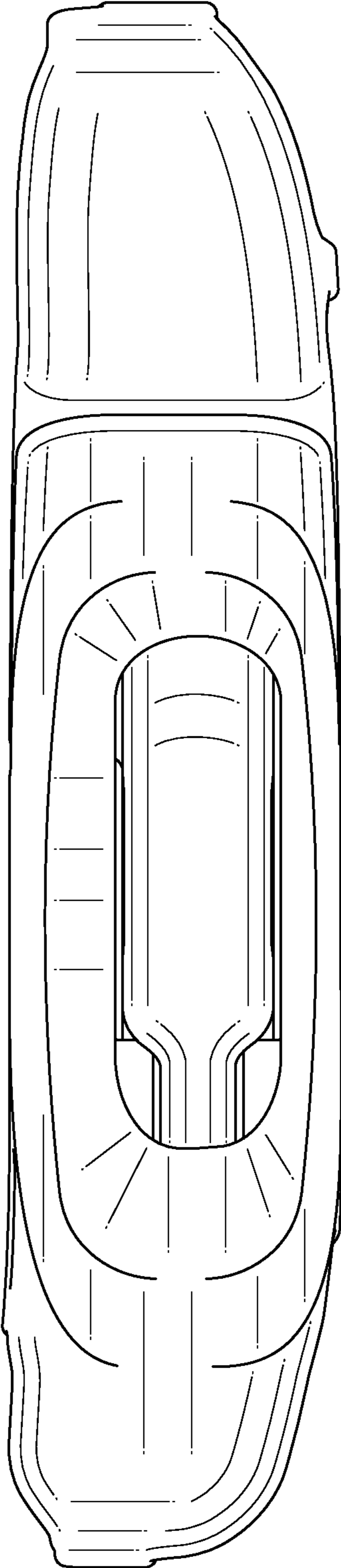


Fig. 5

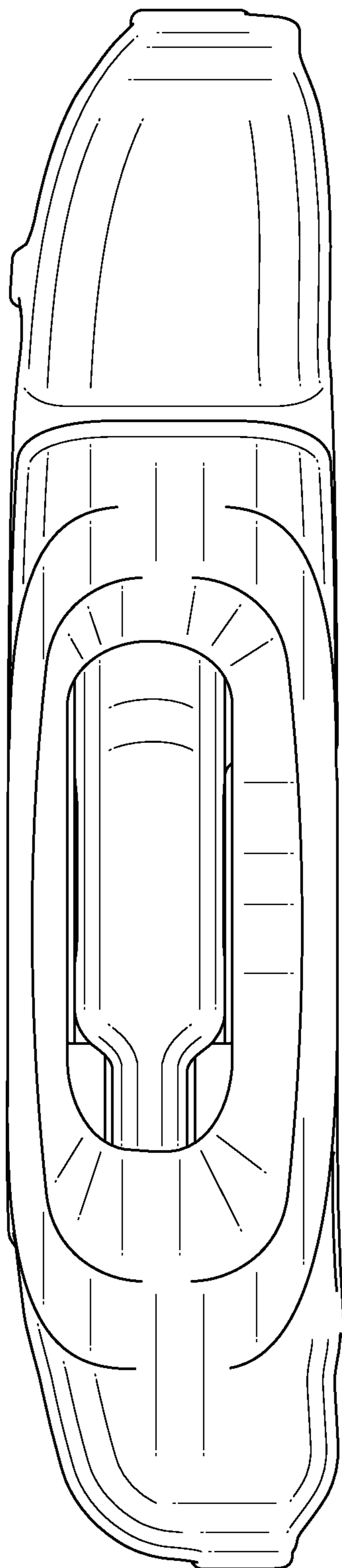


Fig. 6

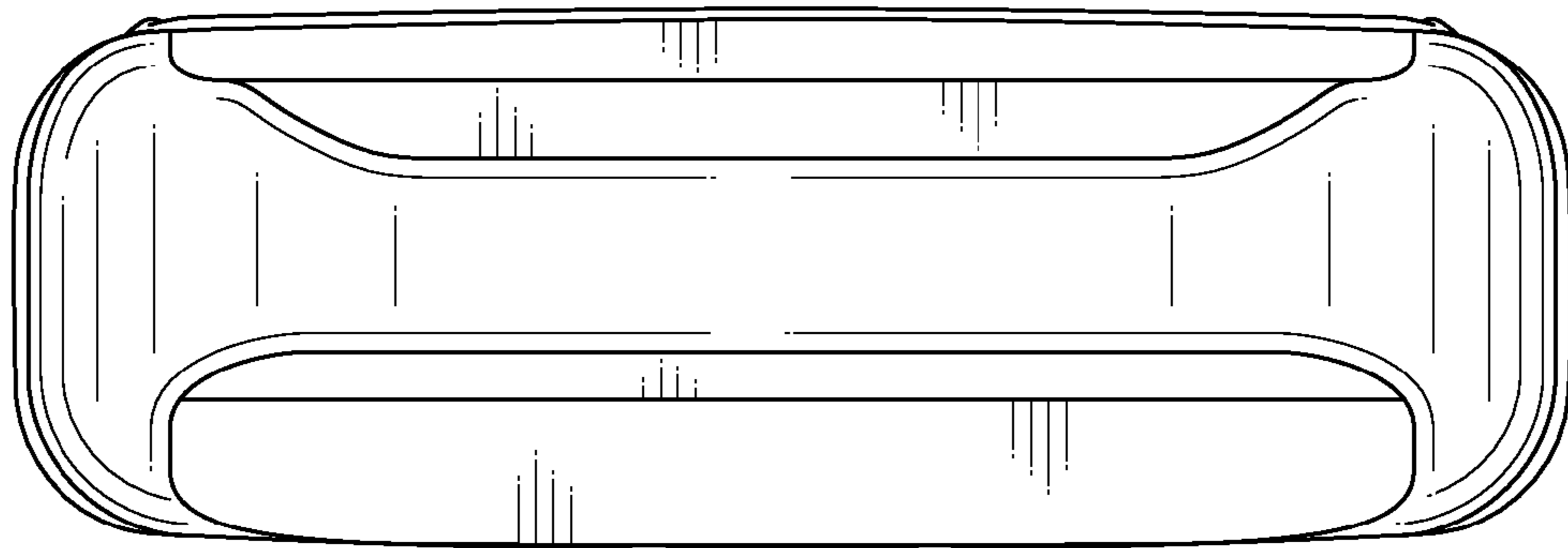


Fig. 7

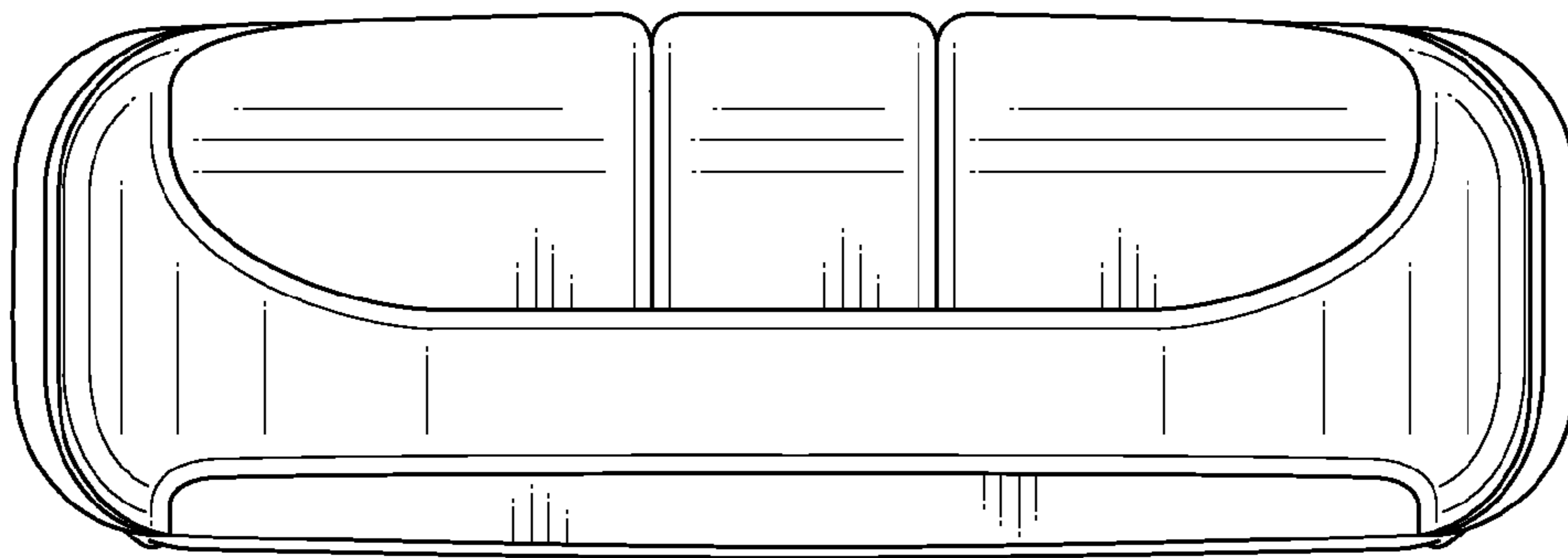


Fig. 8

