



US00D685290S

(12) **United States Design Patent**
Silvera

(10) **Patent No.:** **US D685,290 S**
(45) **Date of Patent:** **** Jul. 2, 2013**

(54) **FLOWER BOUQUET BAG FOR USE IN AN
AUTOMOBILE AND/OR ON A SHOPPING
CART**

D500,703 S * 1/2005 Giampavolo D11/146
D516,947 S * 3/2006 Giampavolo D11/146
D538,705 S * 3/2007 Bartlett et al. D11/148
D541,933 S * 5/2007 White et al. D11/146
2003/0005624 A1* 1/2003 Giampavolo et al. 47/41.01

(71) Applicant: **Roberto Silvera**, Centreville, VA (US)

* cited by examiner

(72) Inventor: **Roberto Silvera**, Centreville, VA (US)

Primary Examiner — Garth Rademaker

(**) Term: **14 Years**

(57) **CLAIM**

(21) Appl. No.: **29/442,083**

The ornamental design for a flower bouquet bag for use in an automobile and/or on a shopping cart, as shown and described.

(22) Filed: **Dec. 3, 2012**

DESCRIPTION

(51) **LOC (9) Cl.** **11-02**

(52) **U.S. Cl.**
USPC **D11/148**

(58) **Field of Classification Search**
USPC D6/403-405, 556-558; D8/1; D11/143-156,
D11/164; D19/77, 80, 81, 84; D25/100;
D26/9-11, 16, 19; D34/1, 2, 4-6; D99/5,
D99/19; 47/17, 32.4, 32.5, 33, 39, 41.01,
47/41.1, 41.11-41.15, 44-47, 65, 65.5, 65.9,
47/66.1, 66.6, 66.7, 67-71
See application file for complete search history.

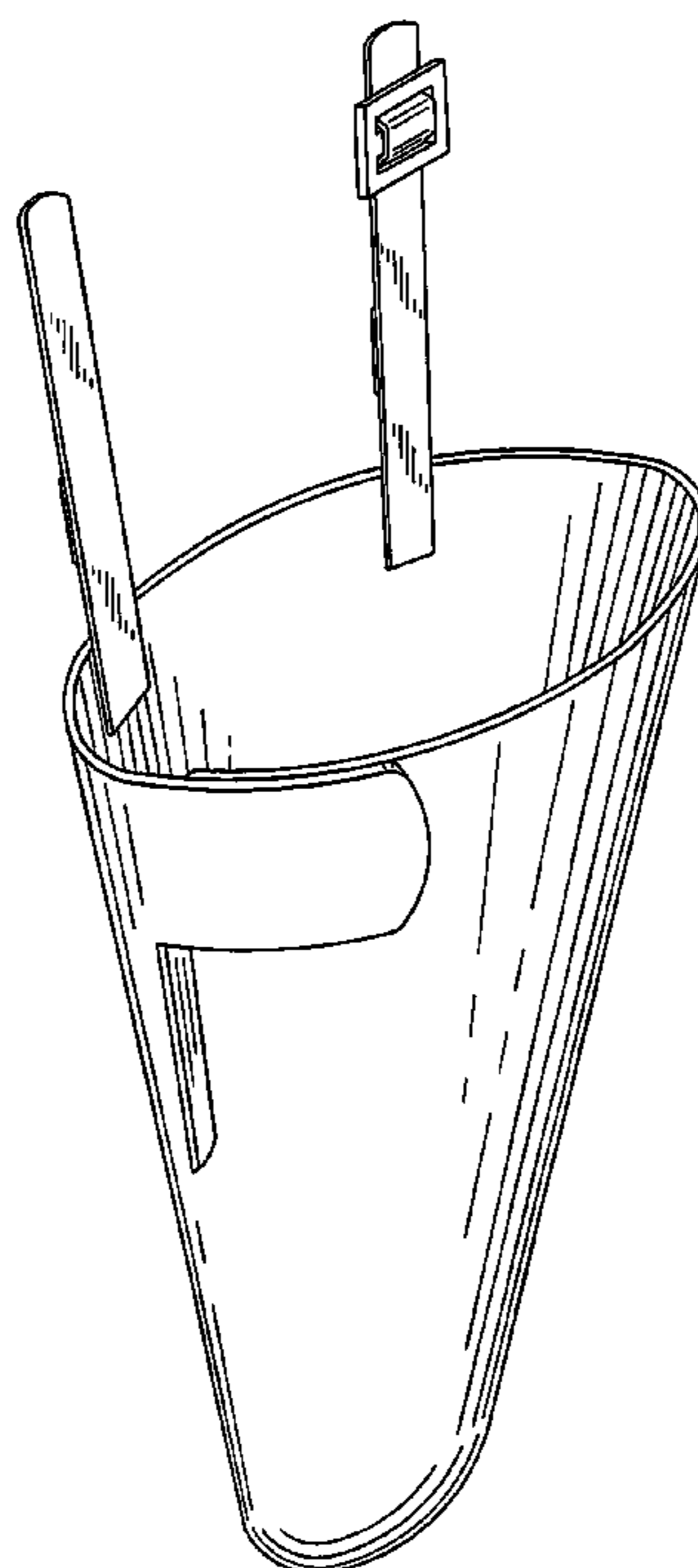
FIG. 1 is a perspective view of a first embodiment of a flower bouquet bag for use in an automobile and/or on a shopping cart, showing my new design;
FIG. 2 is a top and front perspective view thereof;
FIG. 3 is a top and rear perspective view thereof;
FIG. 4 is a front view thereof;
FIG. 5 is a rear view thereof;
FIG. 6 is a right side view thereof;
FIG. 7 is a left side view thereof;
FIG. 8 is a top view thereof;
FIG. 9 is a bottom view thereof;
FIG. 10 is a top and front perspective view thereof, shown with the flap on the left side opened;
FIG. 11 is a front view of a second embodiment of a flower bouquet bag for use in an automobile and/or on a shopping cart, showing my new design;
FIG. 12 is a rear view thereof;
FIG. 13 is a right side view thereof;
FIG. 14 is a left side view thereof;
FIG. 15 is a top view thereof; and,
FIG. 16 is a bottom view thereof.

(56) **References Cited**

U.S. PATENT DOCUMENTS

D62,471 S * 6/1923 Brossman D11/148
1,725,490 A * 8/1929 Talbot 47/41.01
2,633,278 A * 3/1953 Muniz 224/411
2,735,597 A * 2/1956 Treleven 224/312
2,774,187 A * 12/1956 Smithers 47/41.12
3,973,356 A * 8/1976 Schacht 47/41.01
D417,637 S * 12/1999 Appleton D11/148
D419,436 S * 1/2000 Celtorius et al. D11/144

1 Claim, 14 Drawing Sheets



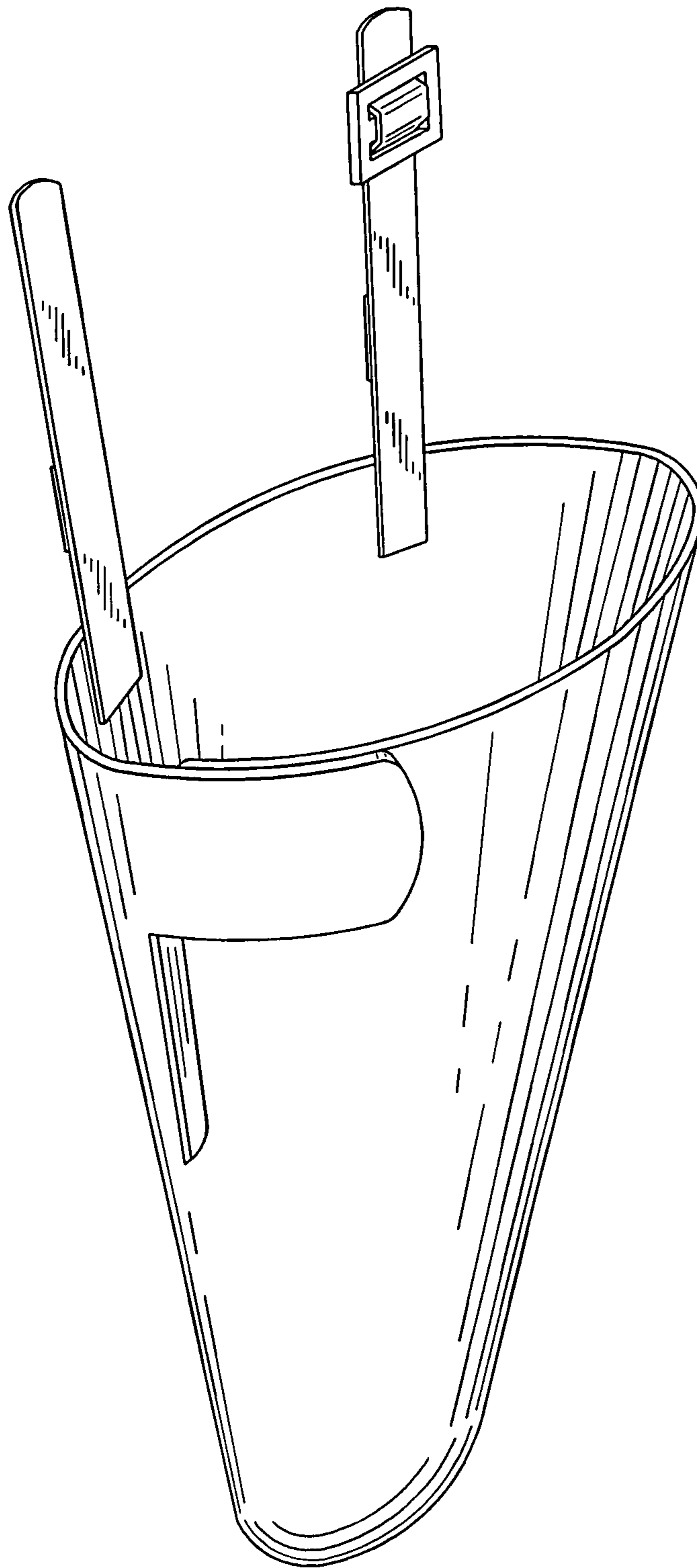


FIG. 1

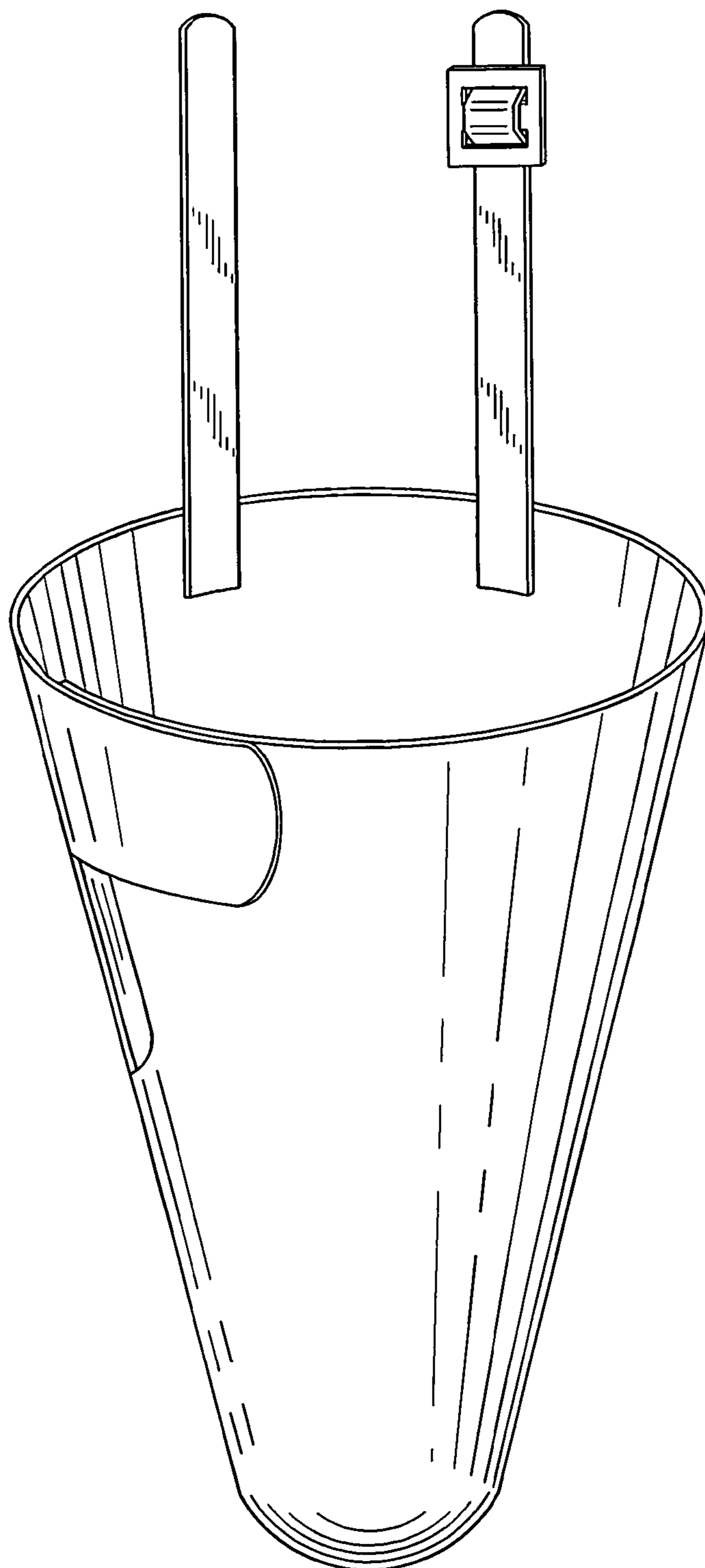


FIG. 2

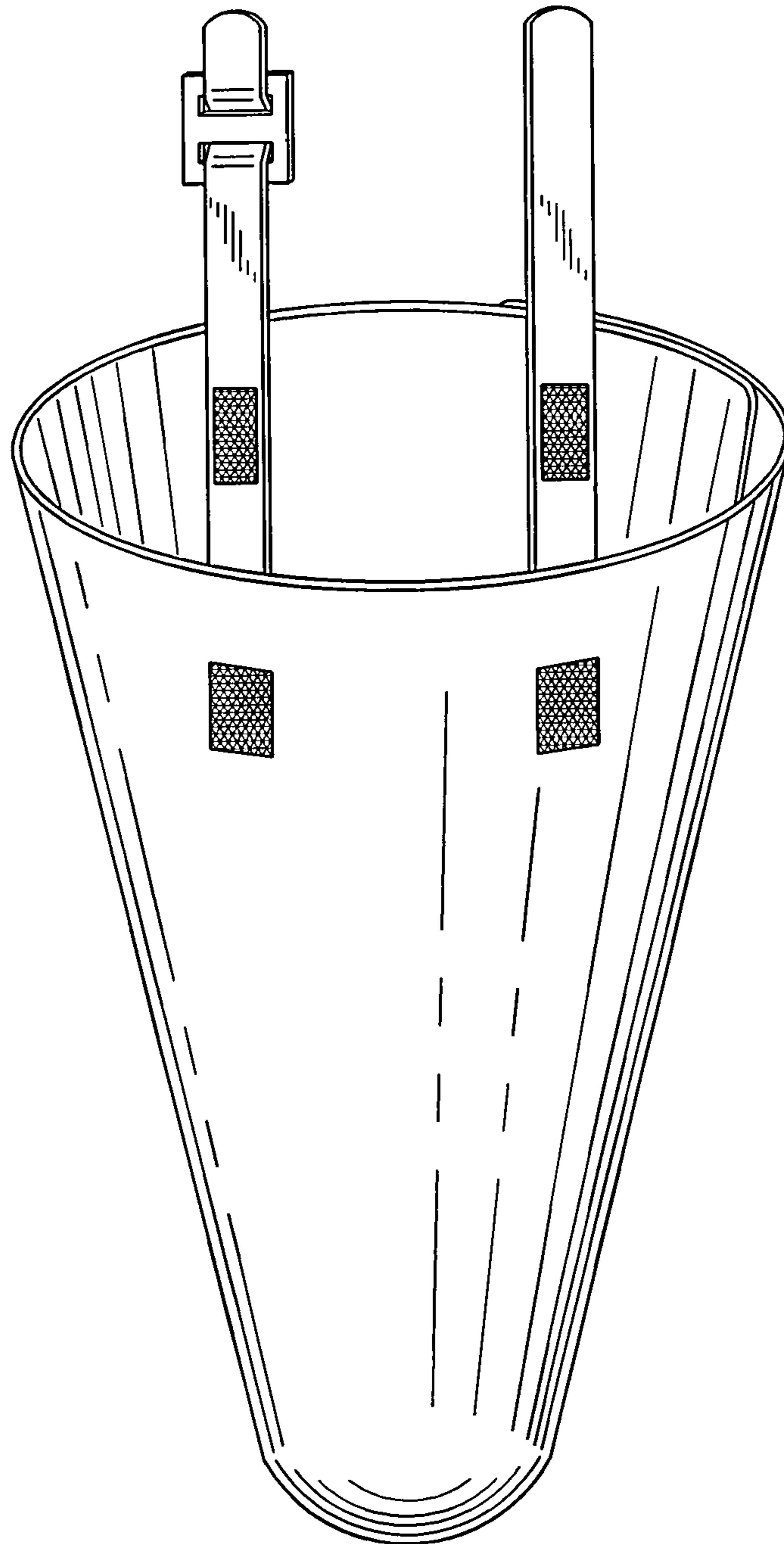


FIG. 3

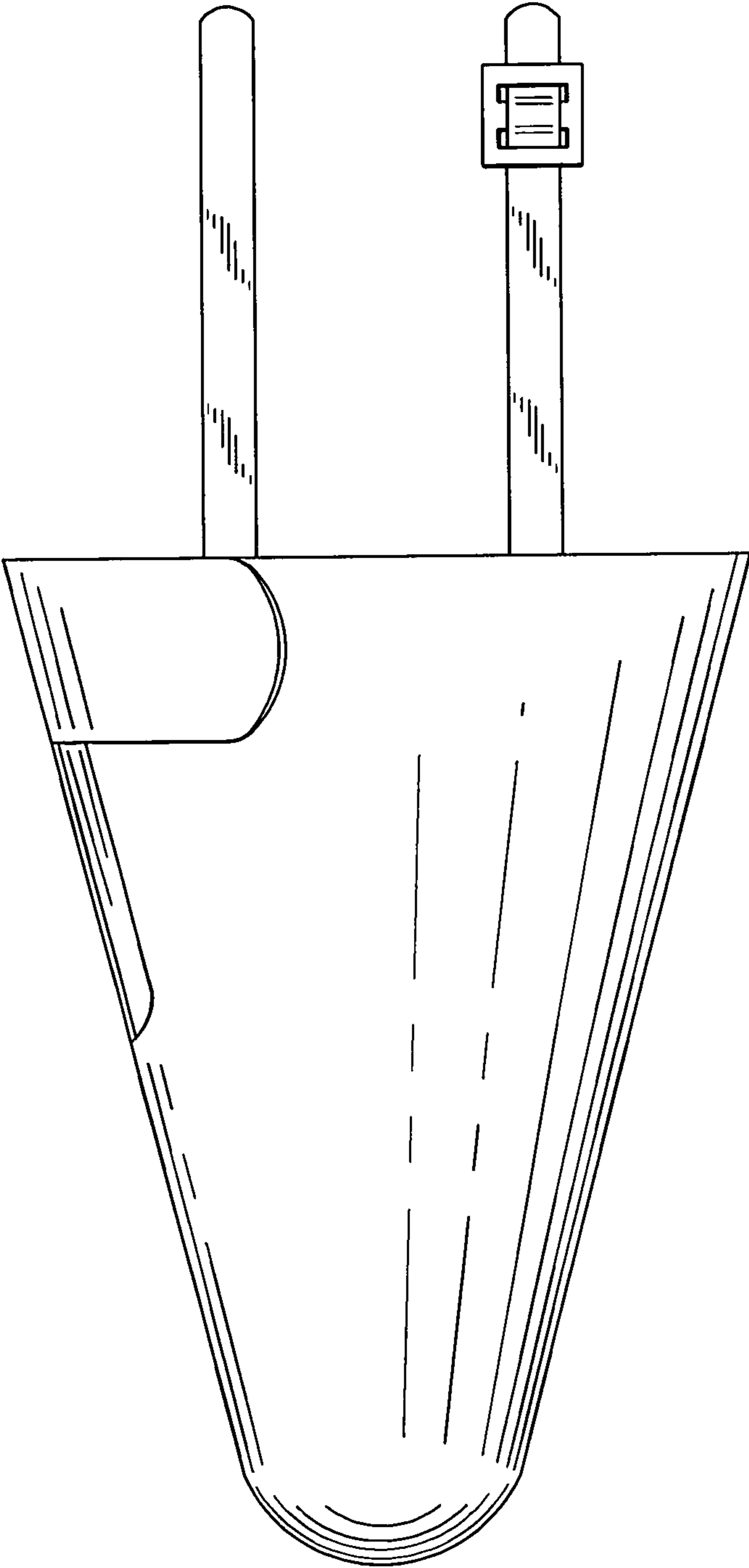


FIG. 4

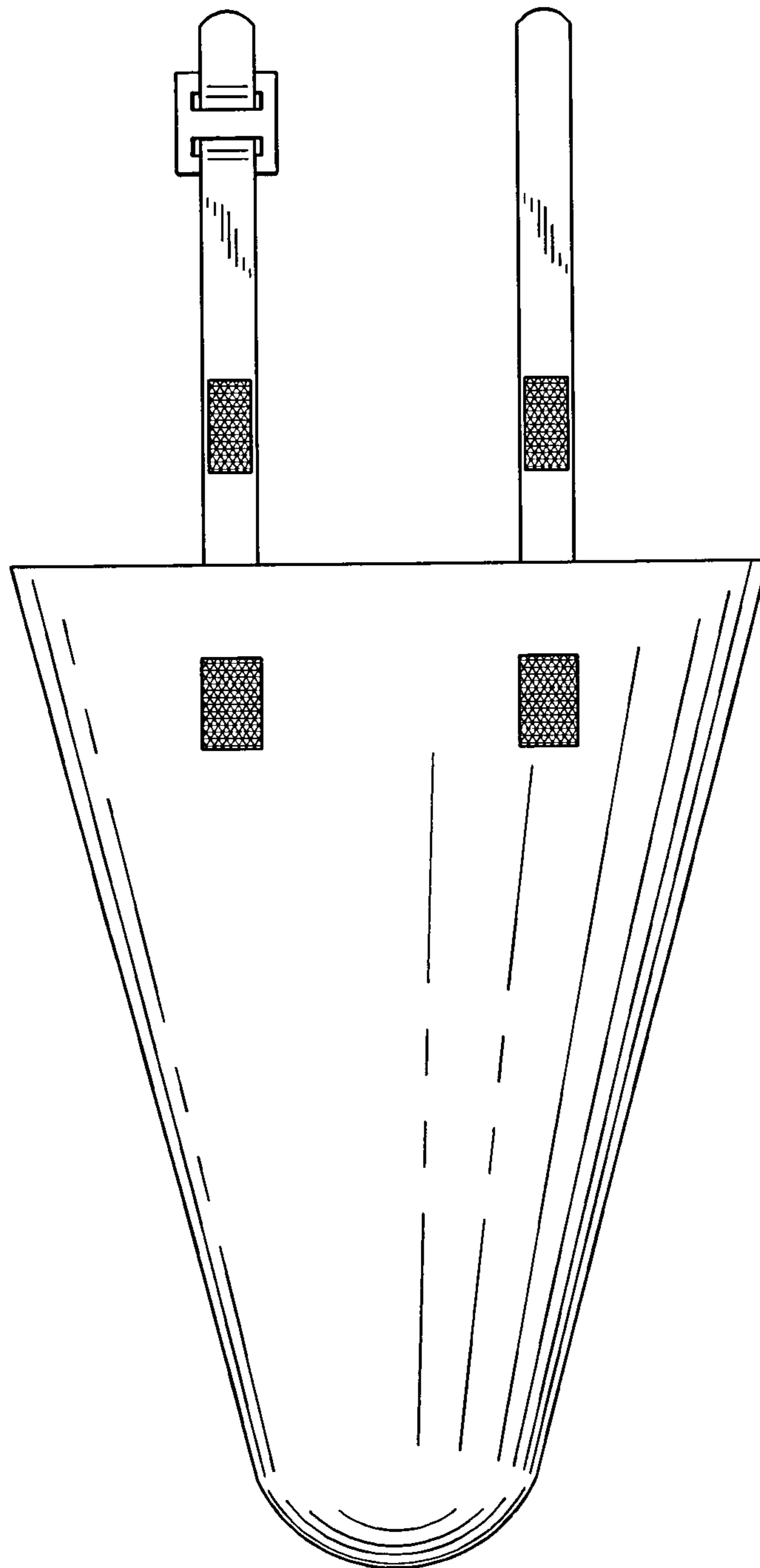


FIG. 5

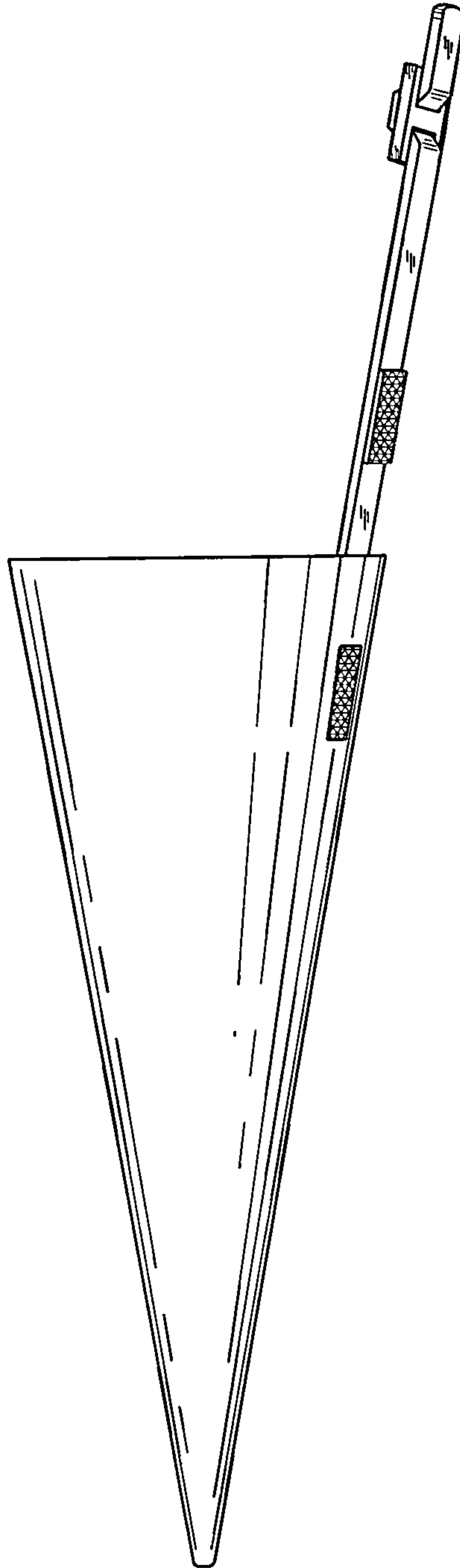


FIG. 6

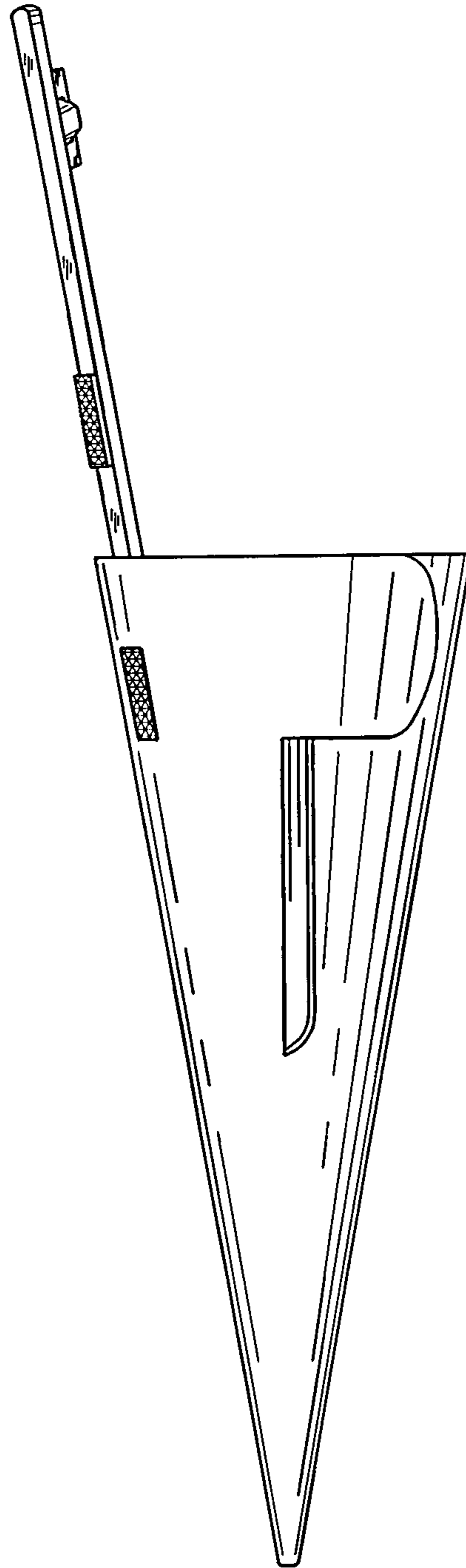


FIG. 7

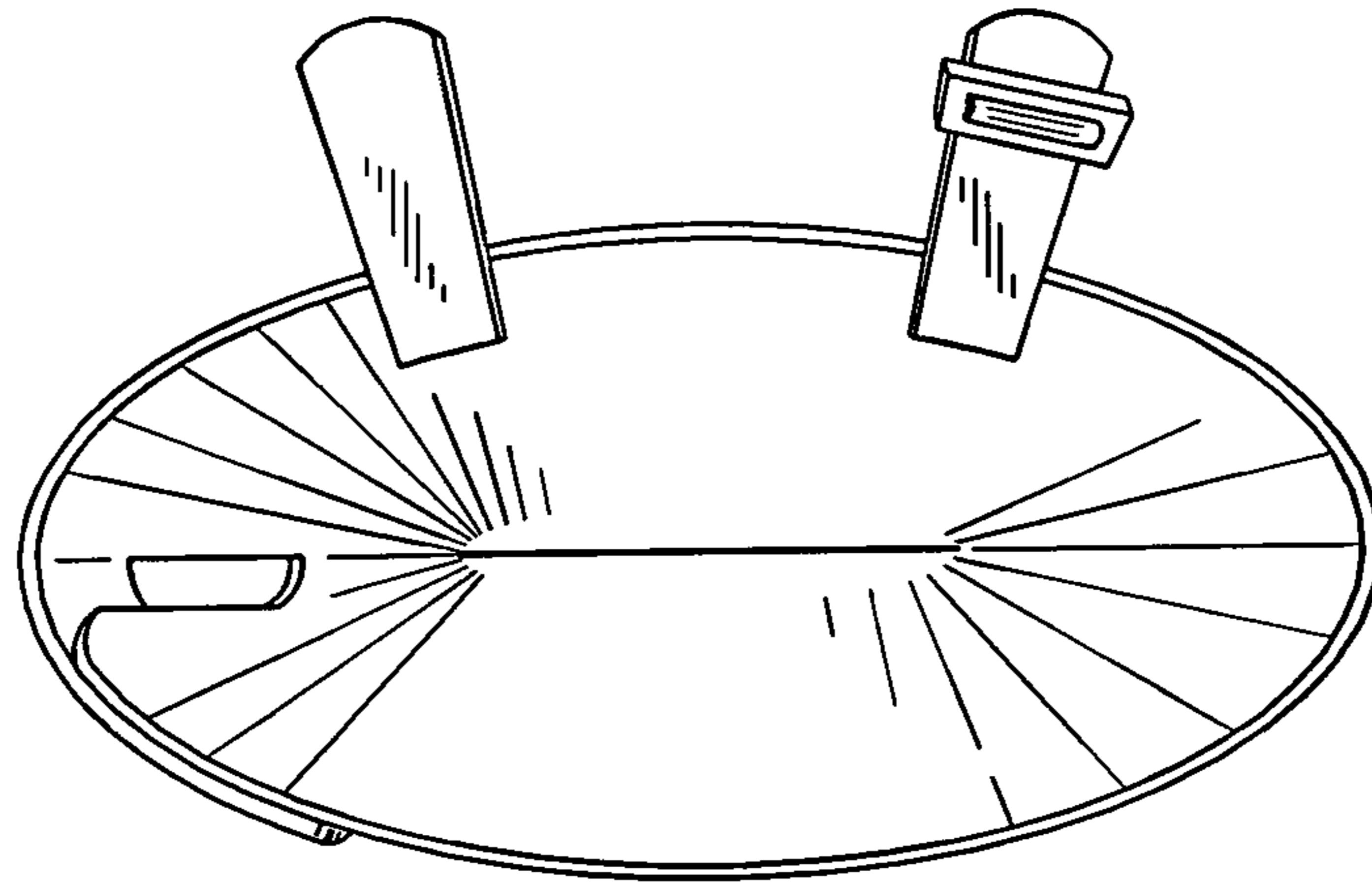


FIG. 8

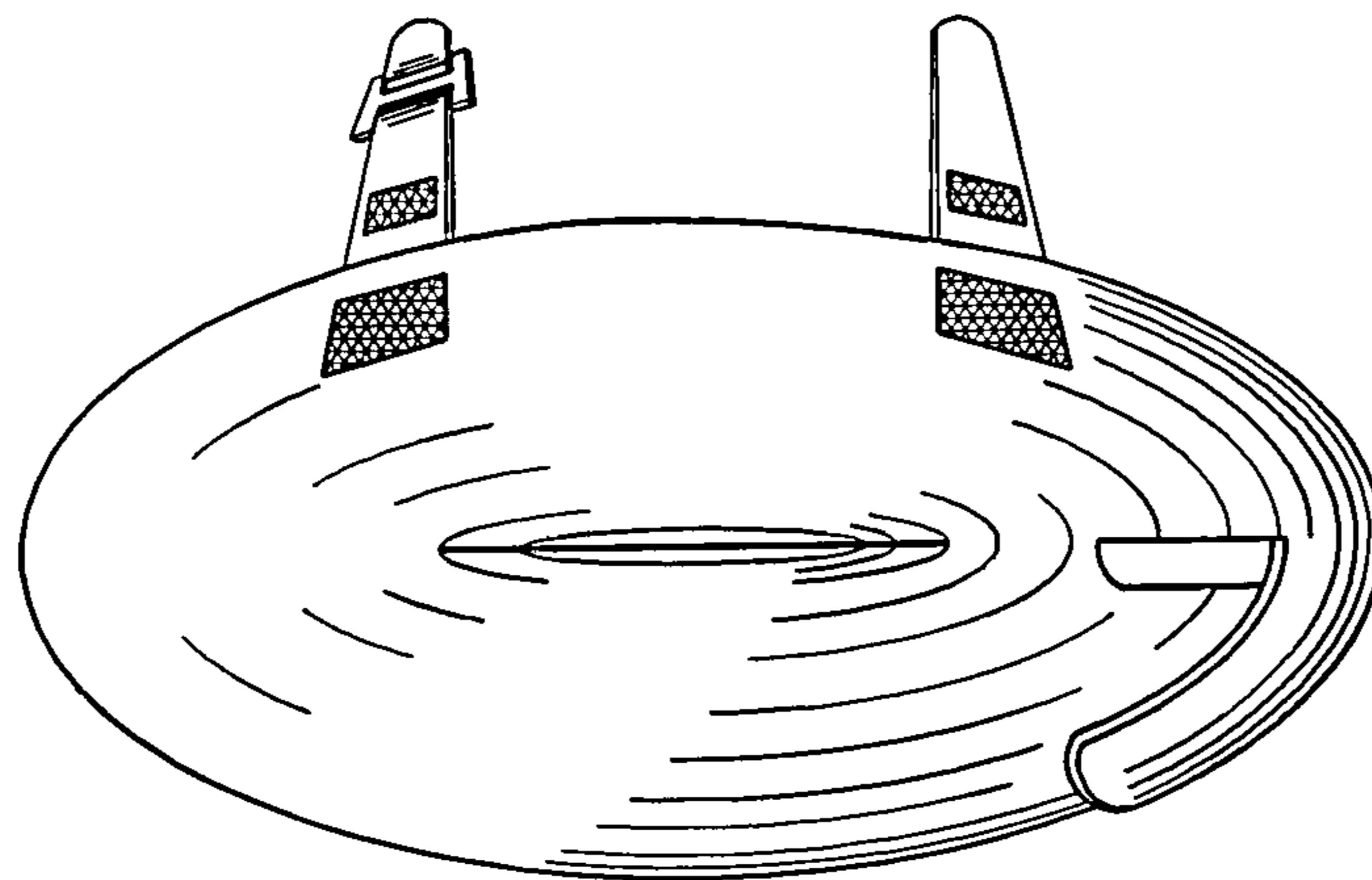


FIG. 9

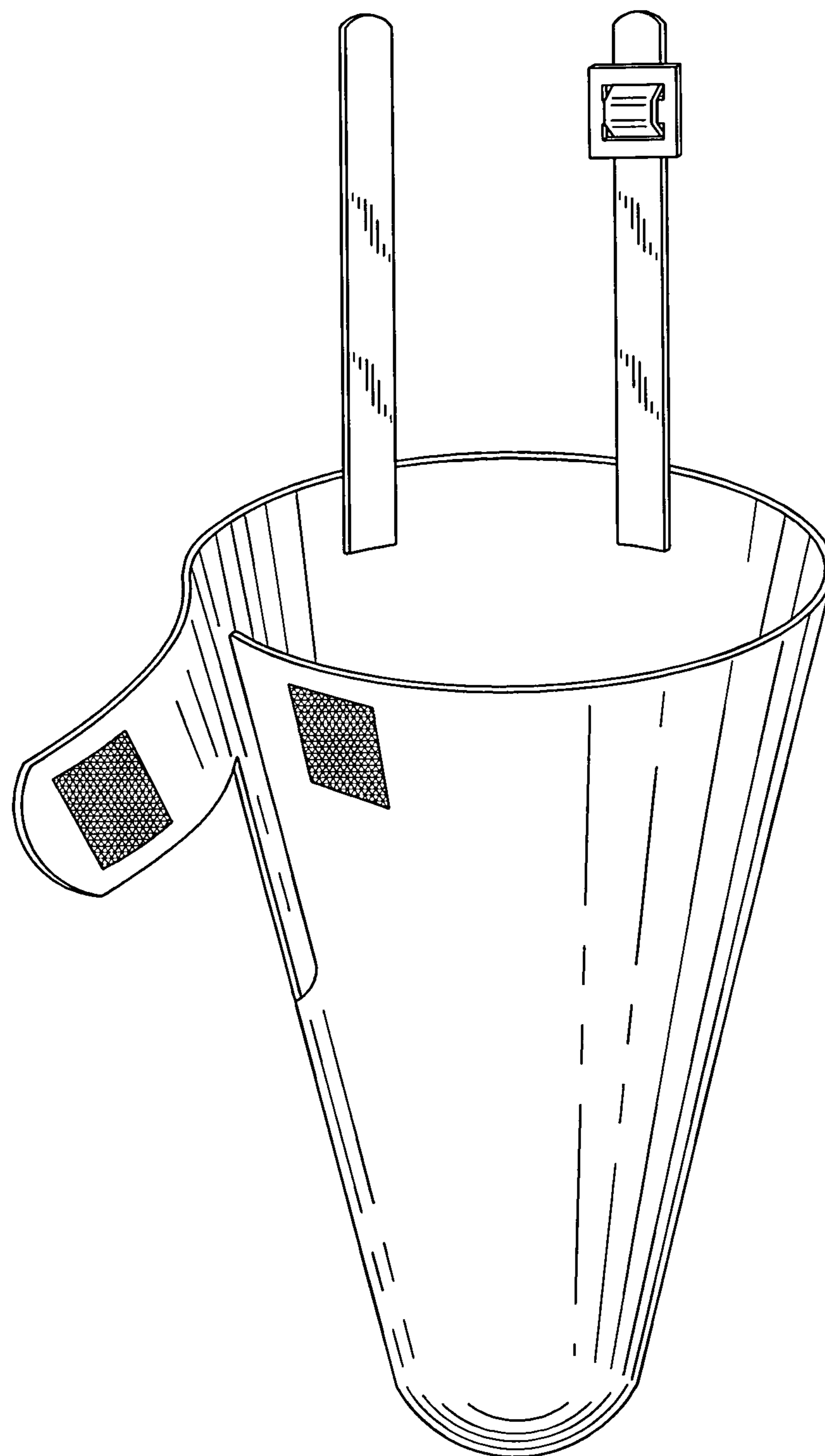


FIG. 10

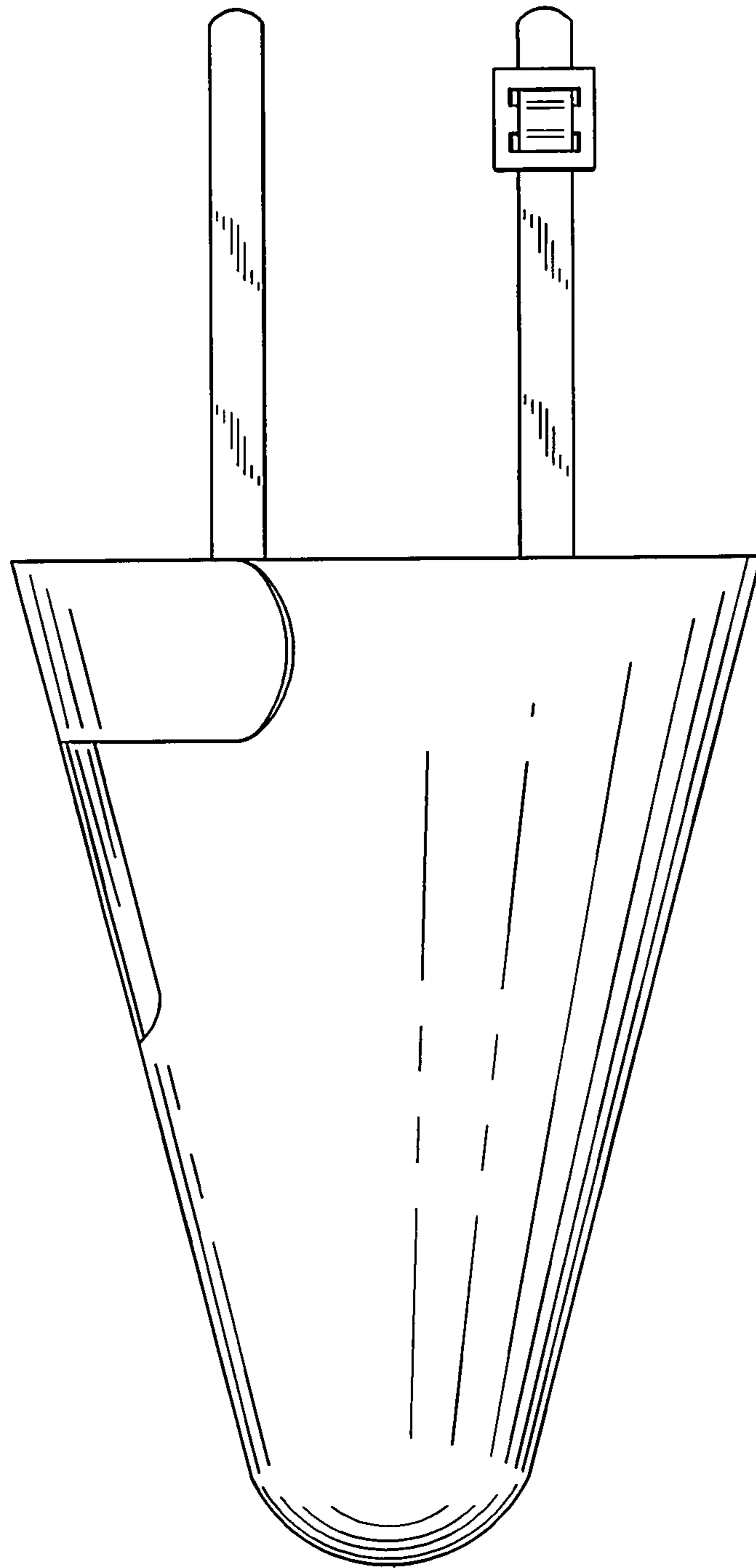


FIG. 11

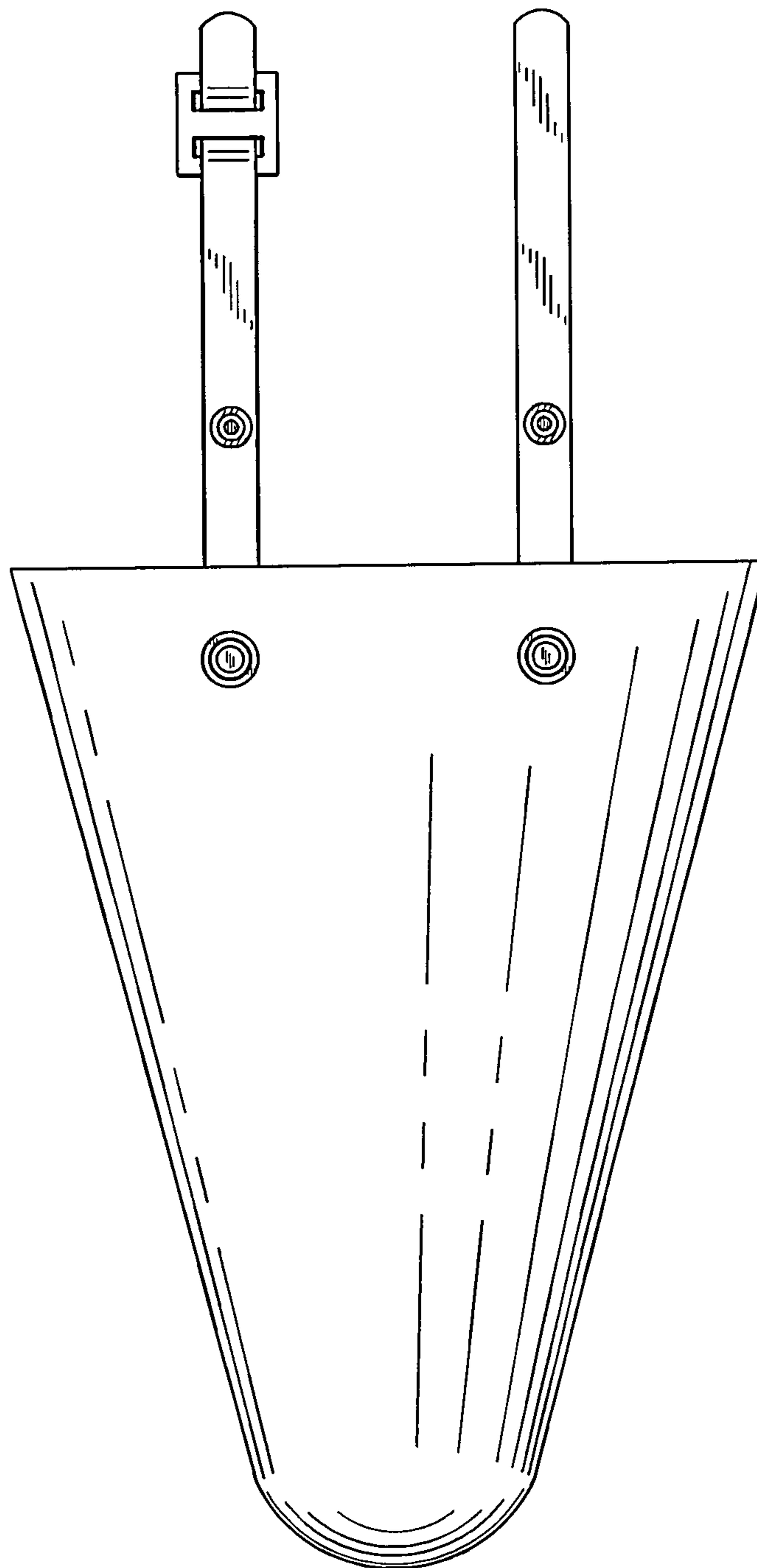


FIG. 12

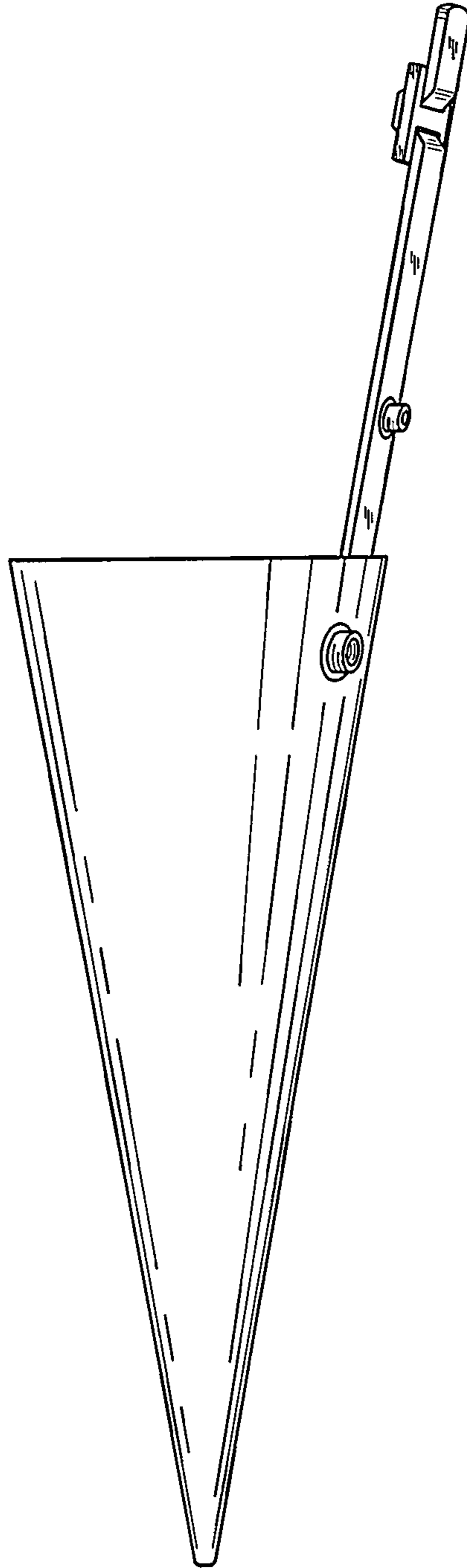


FIG. 13

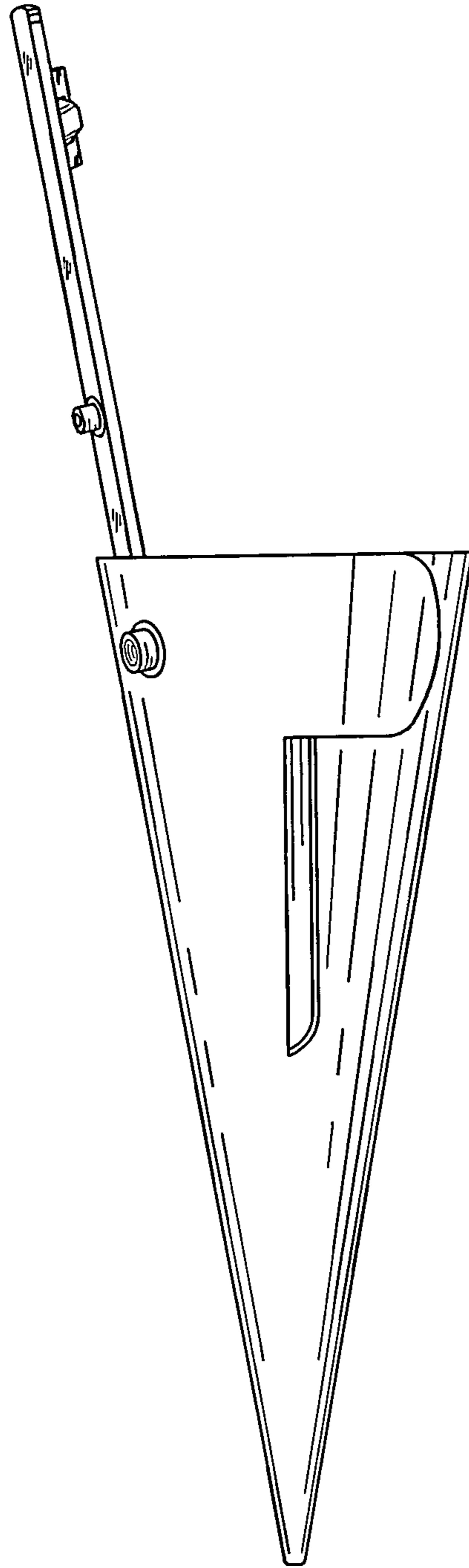


FIG. 14

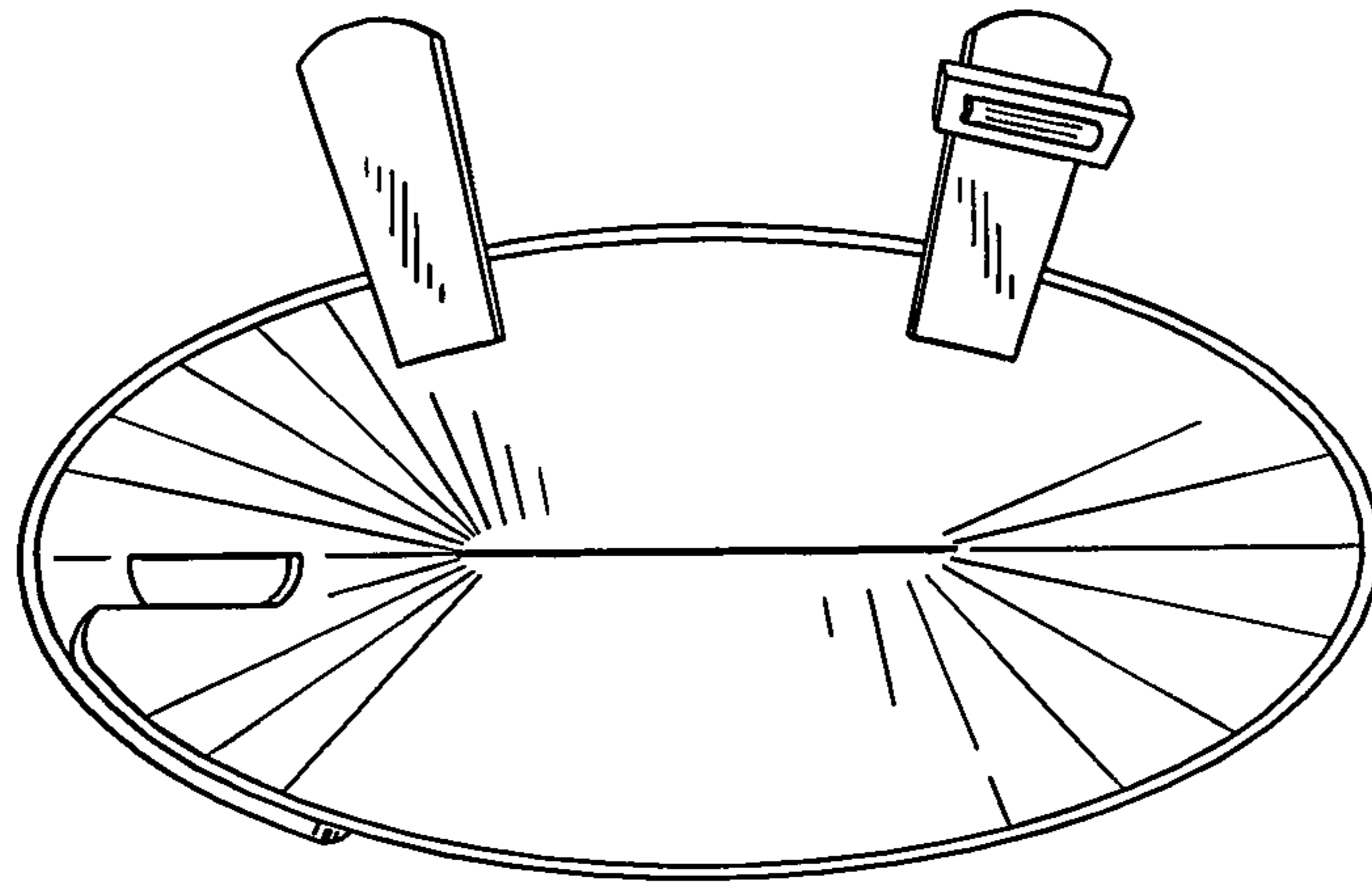


FIG. 15

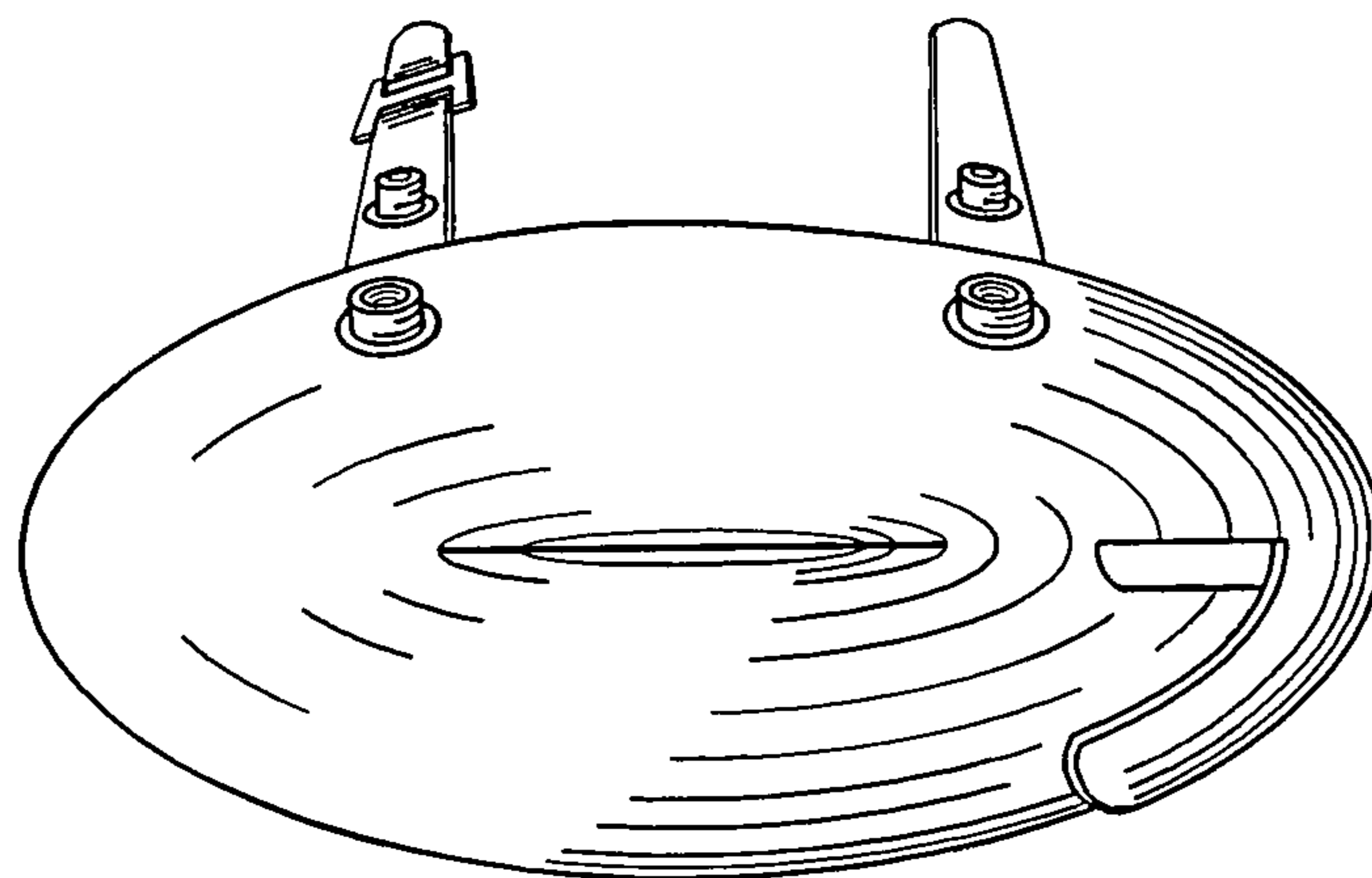


FIG. 16