



US00D685289S

(12) **United States Design Patent**  
**Wang**

(10) **Patent No.:** **US D685,289 S**

(45) **Date of Patent:** **\*\* Jul. 2, 2013**

(54) **SEX SYMBOL KEYRING**

(56) **References Cited**

(71) Applicant: **Roger H. Wang**, Orange, CA (US)

U.S. PATENT DOCUMENTS

(72) Inventor: **Roger H. Wang**, Orange, CA (US)

D226,955	S	*	5/1973	Kluse	.....	D11/96
3,977,678	A	*	8/1976	Hedberg	.....	273/336
D264,565	S	*	5/1982	Medeiros	.....	D10/109.1
D404,680	S	*	1/1999	Kahn	.....	D11/95
D422,524	S	*	4/2000	Tam	.....	D10/114.1
D455,545	S	*	4/2002	Chan	.....	D3/209
D516,447	S	*	3/2006	Barnett	.....	D10/114.1
D527,475	S	*	8/2006	Hall et al.	.....	D26/31
D553,271	S	*	10/2007	Huang	.....	D26/30
D569,766	S	*	5/2008	Cavness	.....	D11/157
2009/0066026	A1	*	3/2009	Castro	.....	273/296

(\*\*) Term: **14 Years**

(21) Appl. No.: **29/433,952**

(22) Filed: **Oct. 7, 2012**

**Related U.S. Application Data**

(62) Division of application No. 29/355,608, filed on Feb. 10, 2010, now Pat. No. Des. 669,390.

(51) **LOC (9) Cl.** ..... **11-03**

(52) **U.S. Cl.**  
USPC ..... **D11/99**

(58) **Field of Classification Search**  
USPC ..... D11/95-99, 116, 184, 1, 8, 26-29,  
D11/79-81, 166, 155, 103, 222, 66, 104,  
D11/108, 13, 133, 172, 25, 40-44, 56, 11,  
D11/157; 63/1.11, 1.12, 1.13, 1.14, 1.16,  
63/1.18, 13, 14.1, 26-28, 32, 35, 39;  
D3/207-212; D99/17; 273/296, 336; D8/351;  
D14/203.2, 480.02; D10/114.1, 109.1;  
D26/30-31

See application file for complete search history.

\* cited by examiner

*Primary Examiner* — T. Chase Nelson

*Assistant Examiner* — Mark Cavanna

(74) *Attorney, Agent, or Firm* — QuickPatents; Kevin Prince

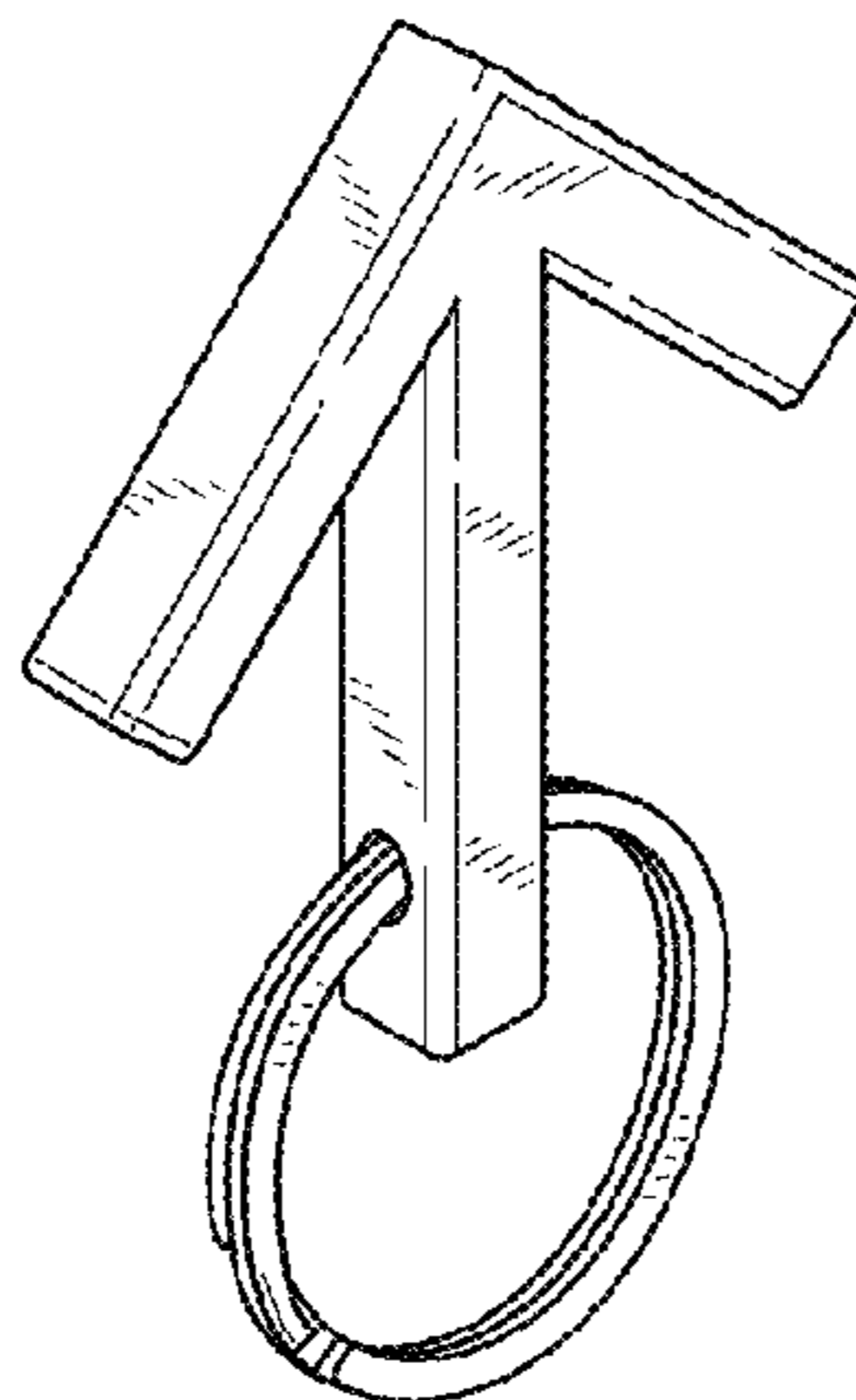
(57) **CLAIM**

I claim the ornamental design for a sex symbol keyring, as shown and described.

**DESCRIPTION**

FIG. 1 is a perspective view of a sex symbol keyring, showing my new design;  
FIG. 2 is a front elevational view thereof;  
FIG. 3 is a rear elevational view thereof;  
FIG. 4 is a right-side elevational view thereof;  
FIG. 5 is a left-side elevational view thereof;  
FIG. 6 is a top plan view thereof; and,  
FIG. 7 is a bottom plan view thereof.

**1 Claim, 1 Drawing Sheet**



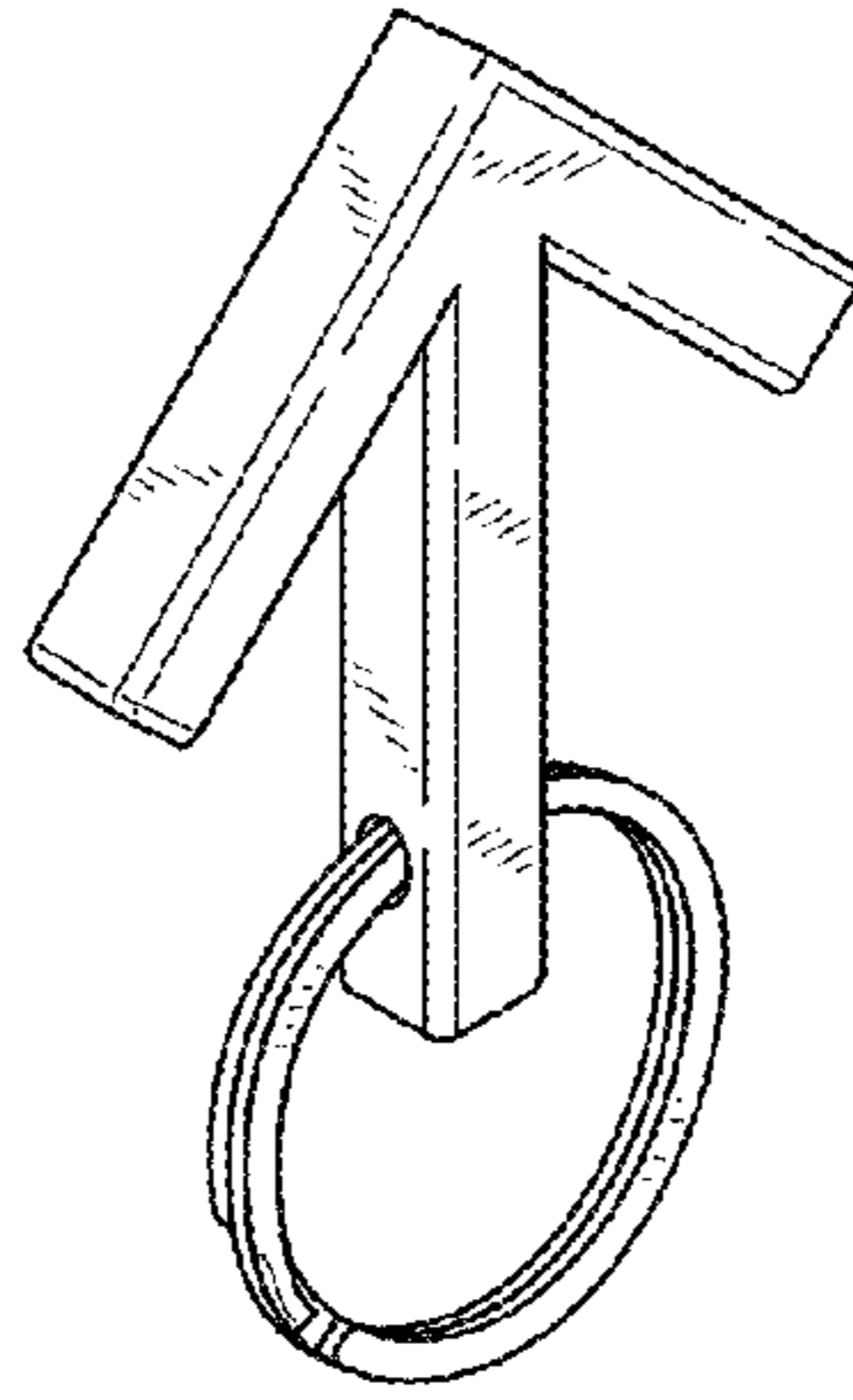


FIG. 1

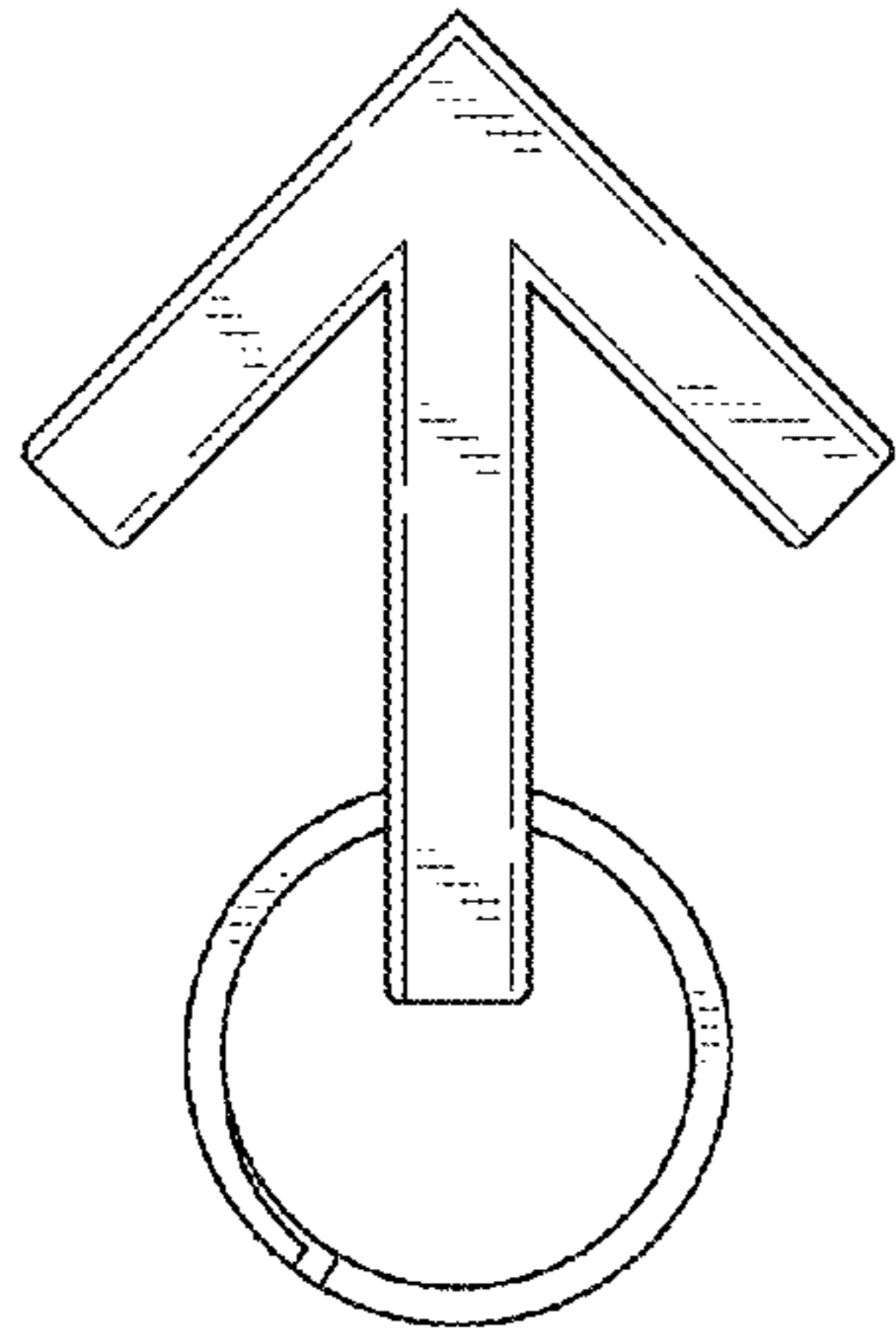


FIG. 2

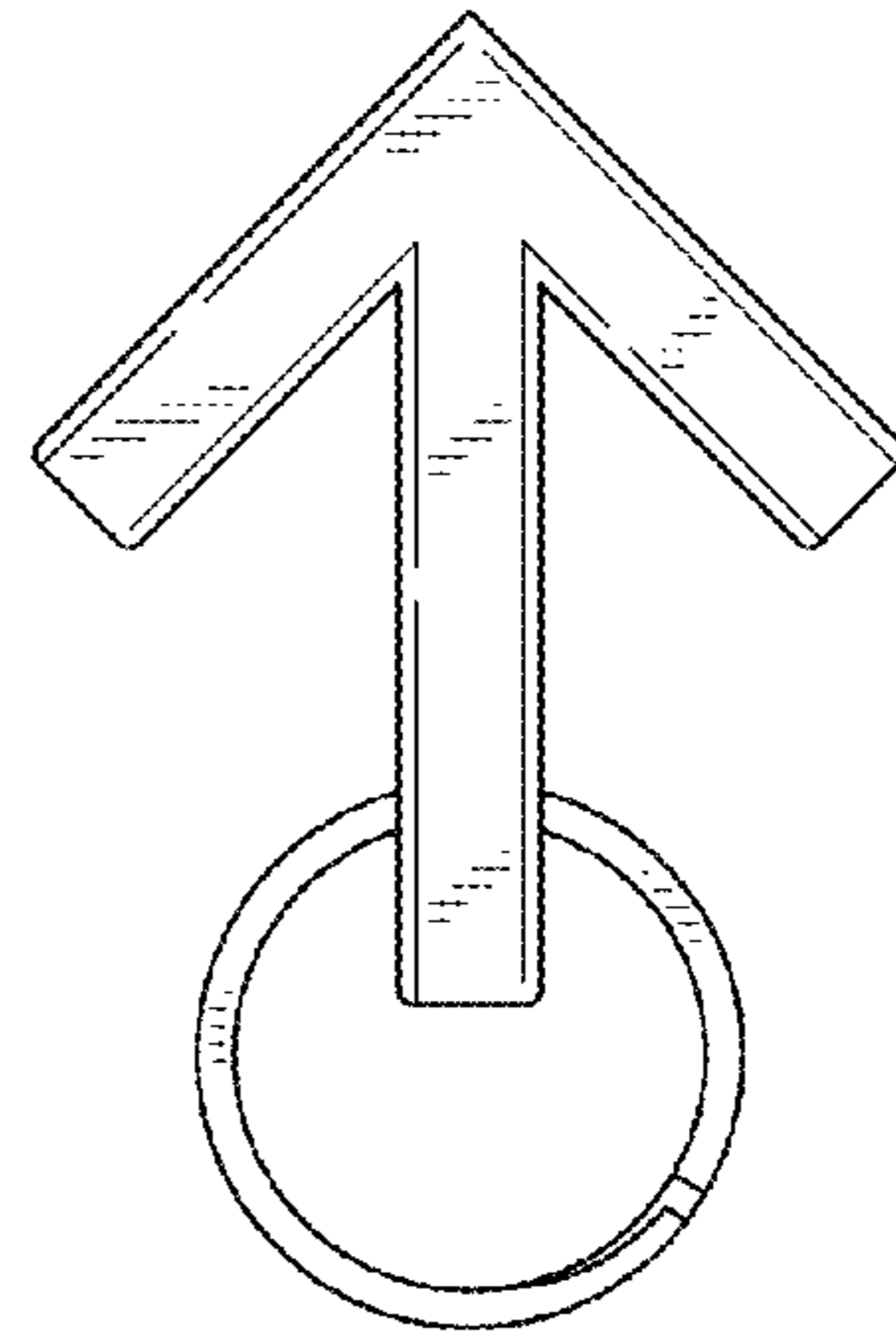


FIG. 3



FIG. 4



FIG. 5



FIG. 6

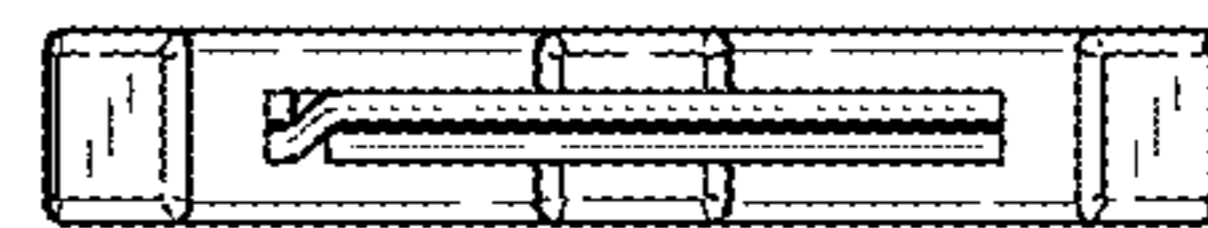


FIG. 7