



US00D685285S

(12) **United States Design Patent**
Collamore

(10) **Patent No.:** **US D685,285 S**
(45) **Date of Patent:** **** Jul. 2, 2013**

(54) **RING**

(71) Applicant: **Frank Collamore**, Edmond, OK (US)

(72) Inventor: **Frank Collamore**, Edmond, OK (US)

(**) Term: **14 Years**

(21) Appl. No.: **29/439,411**

(22) Filed: **Dec. 11, 2012**

(51) **LOC (9) Cl.** **11-01**

(52) **U.S. Cl.**
USPC **D11/26**

(58) **Field of Classification Search**
USPC D11/1, 2, 26-39; 63/15, 15.1-15.4,
63/15.45, 15.5, 15.6, 15.65, 15.7
See application file for complete search history.

(56) **References Cited**

U.S. PATENT DOCUMENTS

D77,384 S *	1/1929	Meell	D11/31
D110,615 S *	7/1938	Glaser	D11/35
D300,126 S *	3/1989	Corbin et al.	D11/30
D330,212 S *	10/1992	Merritt	D11/30
D334,001 S *	3/1993	Muse	D11/30
D372,681 S *	8/1996	Davis et al.	D11/26
D387,000 S *	12/1997	Oirschot et al.	D11/26
D422,237 S *	4/2000	Goff	D11/26
D601,914 S *	10/2009	Alcantara	D11/34

OTHER PUBLICATIONS

[Online] <http://3.bp.blogspot.com/-mYDH34kAm3Q/T1UTaovh-0bl/AAAAAAAAAPw/kWR6zfVKmbQ/s1600/Large+Ring.jpg>.
Accessed Apr. 16, 2013.*

[Online] <http://blogs-images.forbes.com/larryolmsted/files/2012/08/London-U.S.-Olympic-Team-Ring-Customized.jpg>.
Accessed Apr. 16, 2013.*

* cited by examiner

Primary Examiner — Jennifer Rivard

Assistant Examiner — Melanie Pellegrini

(74) *Attorney, Agent, or Firm* — QuickPatents; Kevin Prince

(57) **CLAIM**

I claim the ornamental design for a ring, as shown and described.

DESCRIPTION

FIG. 1 is a perspective view of a ring, showing my new design;

FIG. 2 is a left-side elevational view thereof, the right-side elevational view being a mirror image thereof;

FIG. 3 is a front elevational view thereof, the rear elevational view being identical thereto;

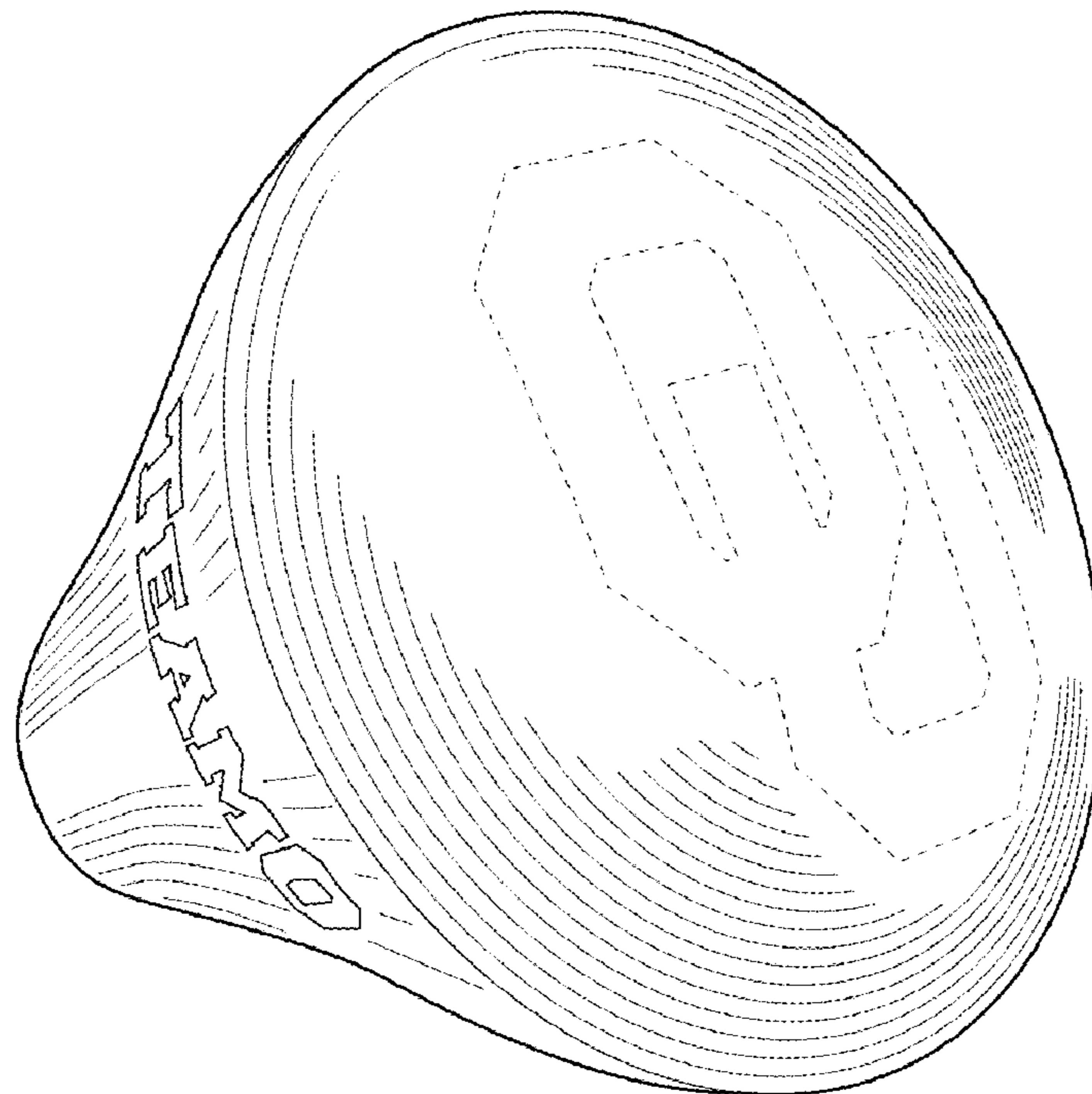
FIG. 4 is a top plan view thereof; and,

FIG. 5 is a bottom plan view thereof.

The broken lines showing a logo in FIGS. 1 and 4 depict environmental matter and form no part of the claimed design.

The text that spells the word "TeamO" in the drawings and forming part of the claimed design is a trademark of Teamo, LLC, of Edmond, Okla.

1 Claim, 2 Drawing Sheets



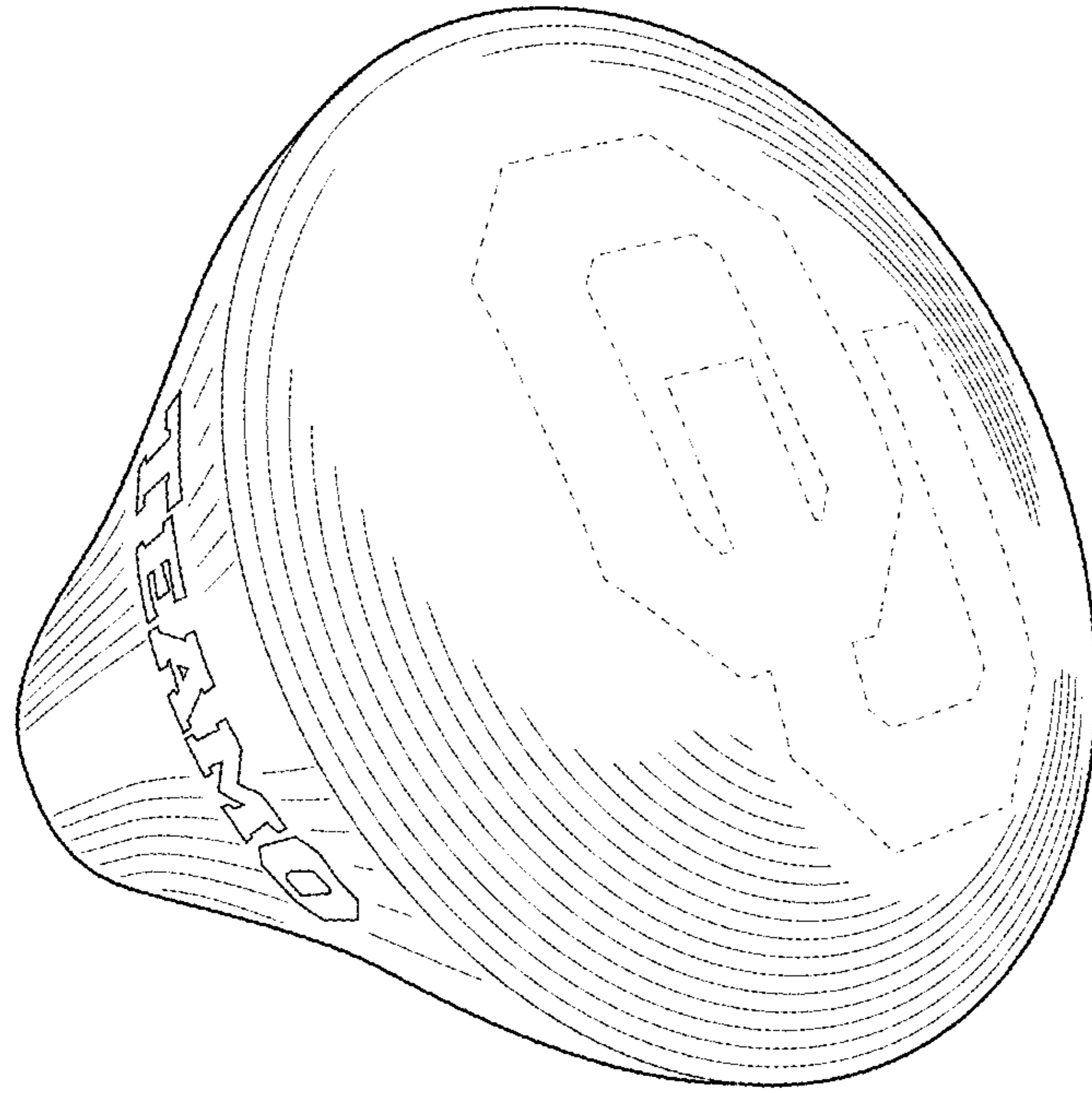


FIG. 1

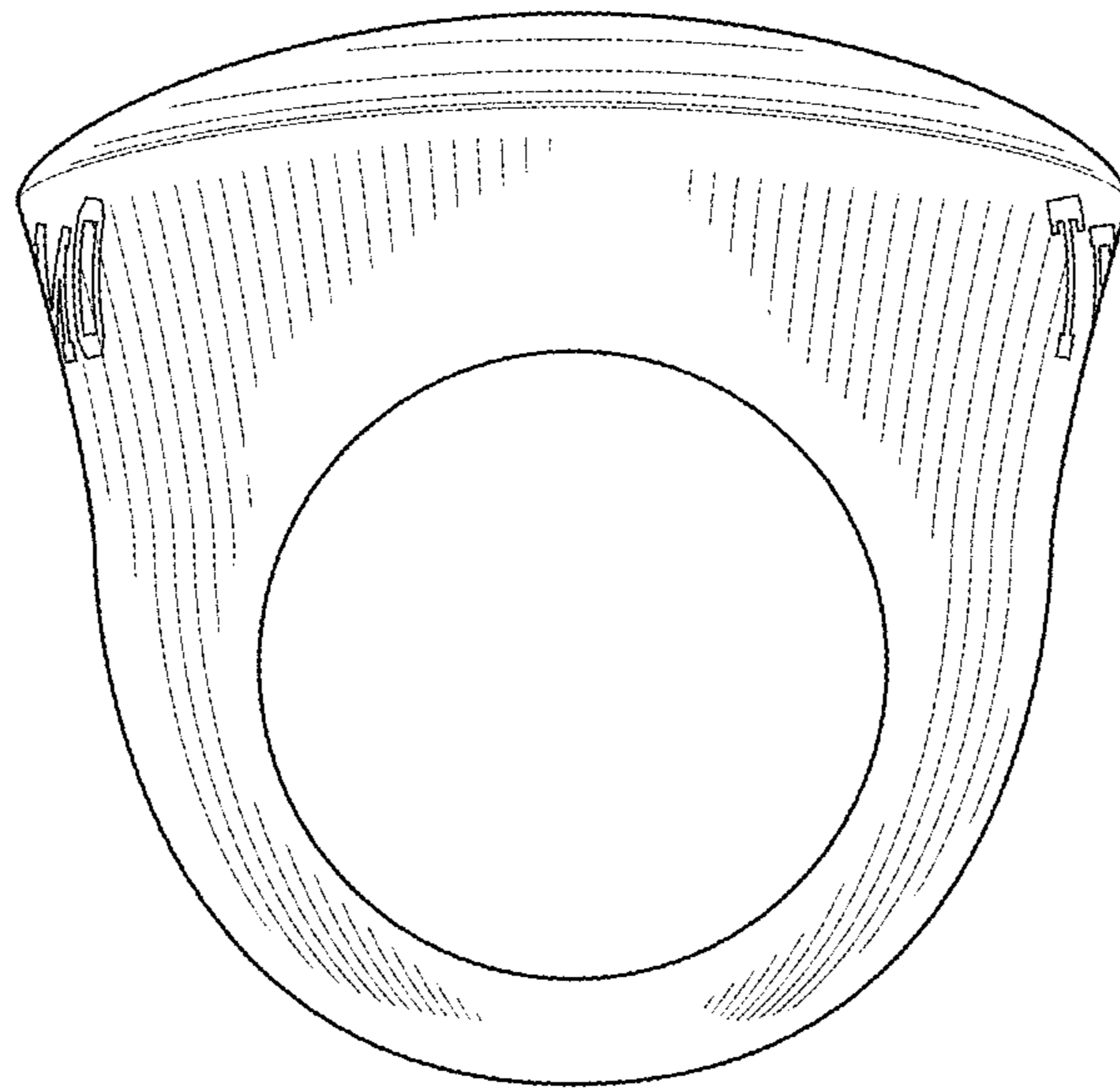


FIG. 2

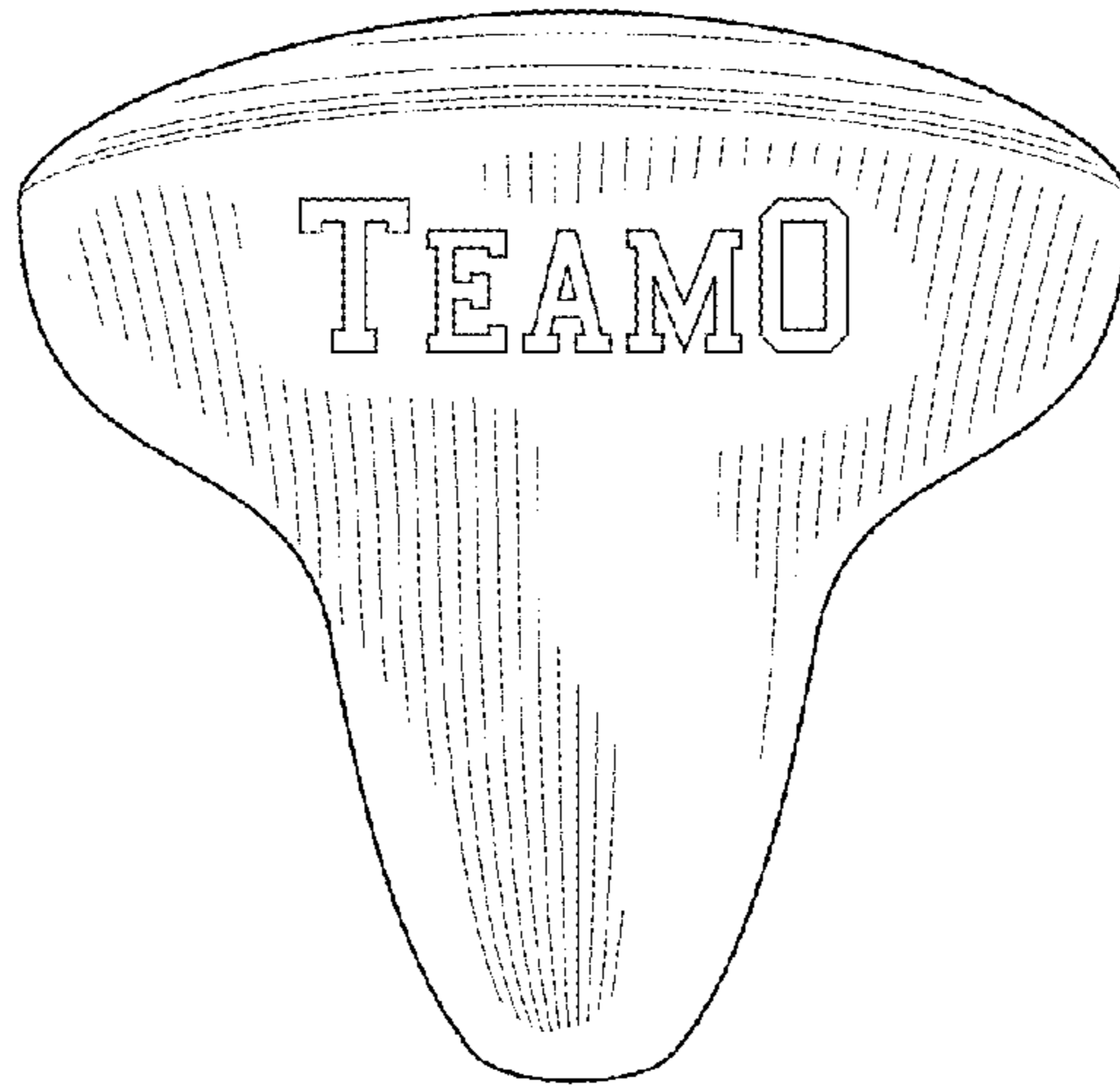


FIG. 3

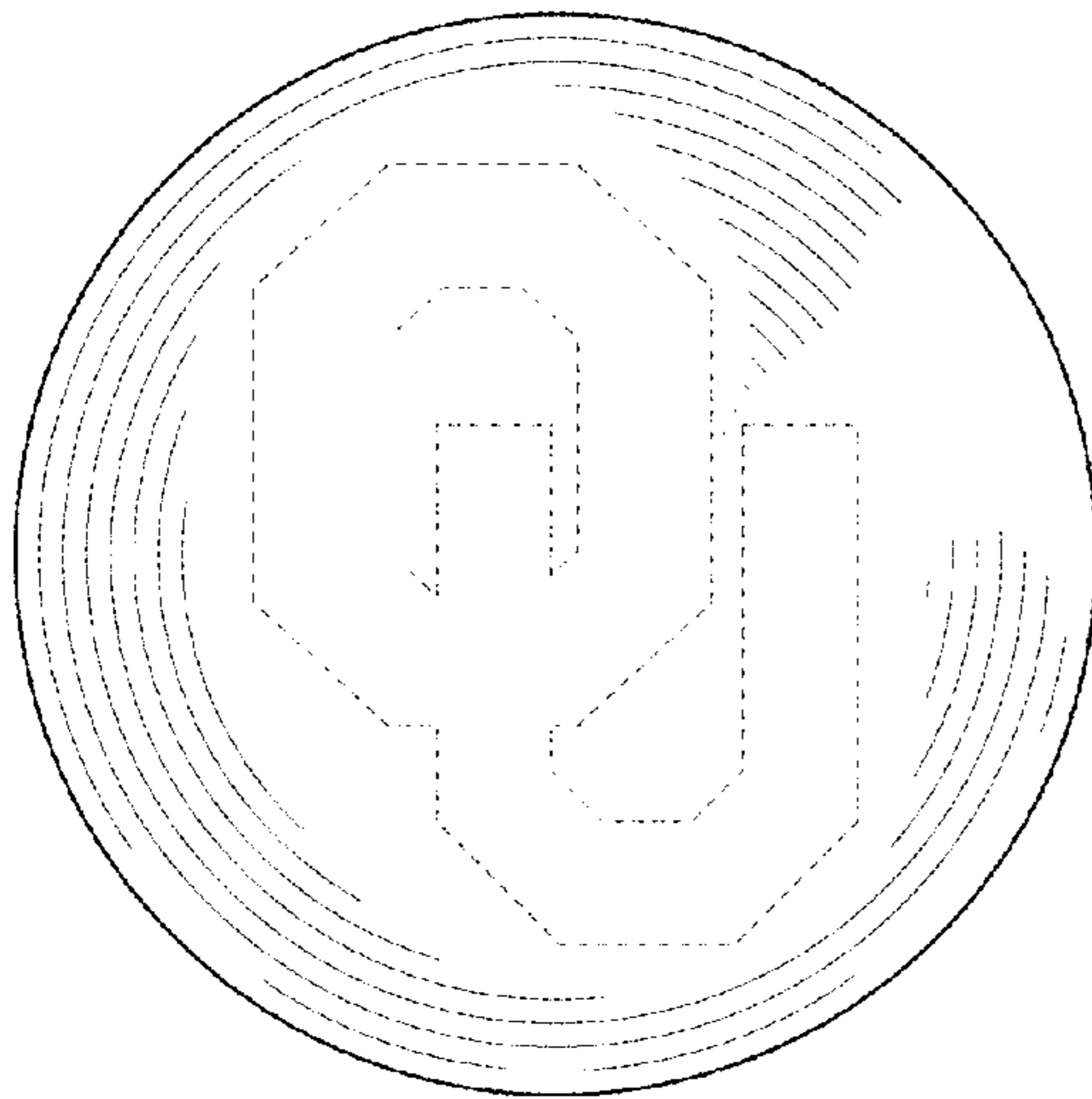


FIG. 4

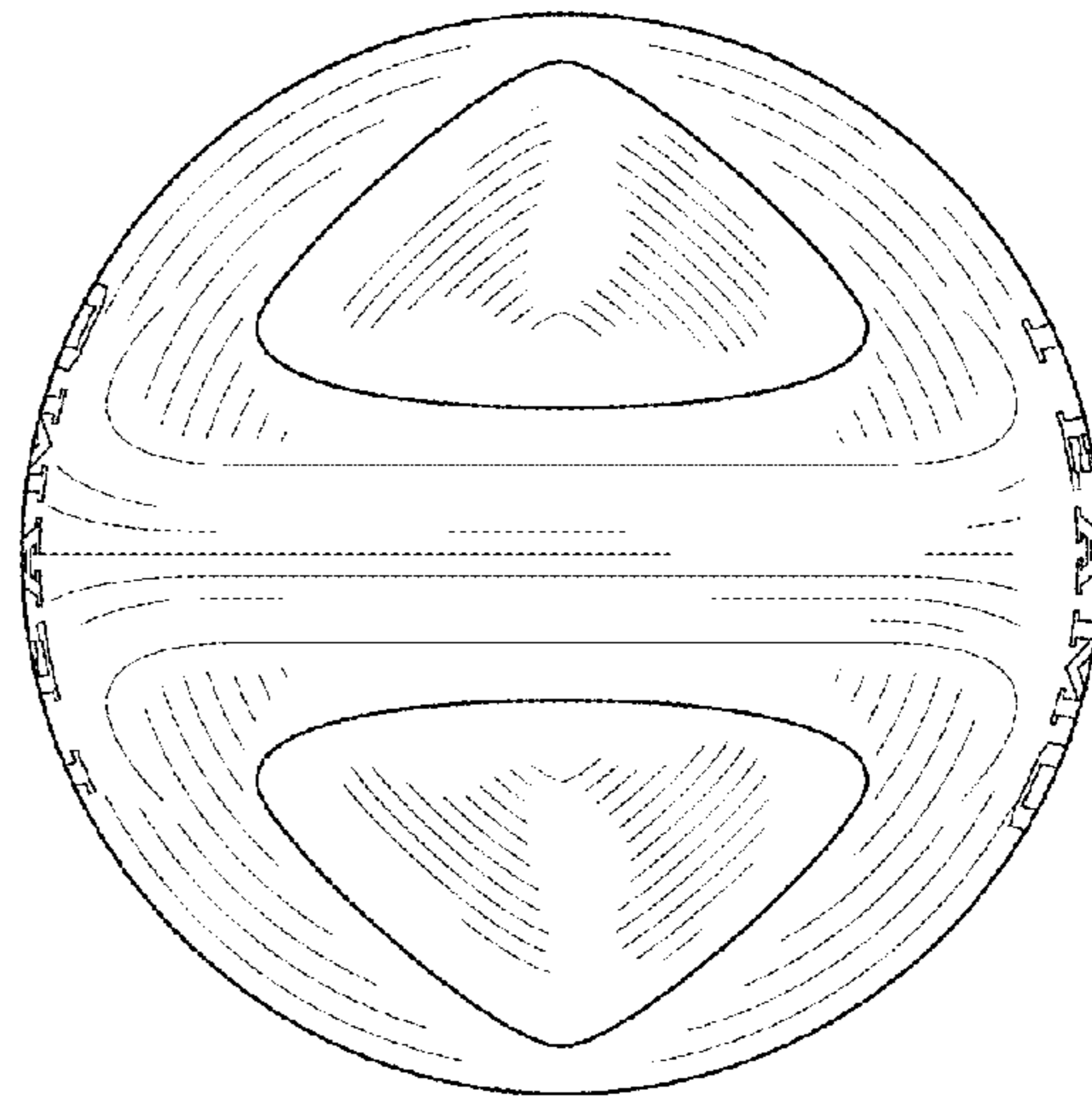


FIG. 5