



US00D685278S

(12) **United States Design Patent**
Bellier

(10) **Patent No.:** **US D685,278 S**

(45) **Date of Patent:** **** Jul. 2, 2013**

(54) **FIRE DETECTOR**

(75) Inventor: **Raphael Bellier**, Larmor-Plage (FR)

(73) Assignee: **NEXELEC**, Marseille (FR)

(**) Term: **14 Years**

(21) Appl. No.: **29/420,119**

(22) Filed: **May 4, 2012**

(51) **LOC (9) Cl.** **10-05**

(52) **U.S. Cl.**
USPC **D10/106.2**

(58) **Field of Classification Search**
USPC D10/106.5; 340/531, 540, 555, 558,
340/571, 556, 628, 632, 640
See application file for complete search history.

(56) **References Cited**

U.S. PATENT DOCUMENTS

D339,756 S * 9/1993 Igarashi et al. D10/106.5
D388,351 S * 12/1997 Repp et al. D10/106.5

D388,352 S * 12/1997 Repp et al. D10/106.5
D391,185 S * 2/1998 Tomizawa D10/106.5
D628,108 S * 11/2010 Akdag et al. D10/106.5

* cited by examiner

Primary Examiner — George D Kirschbaum

(74) *Attorney, Agent, or Firm* — Blue Filament Law PLLC;
Avery N. Goldstein; Marc Balban

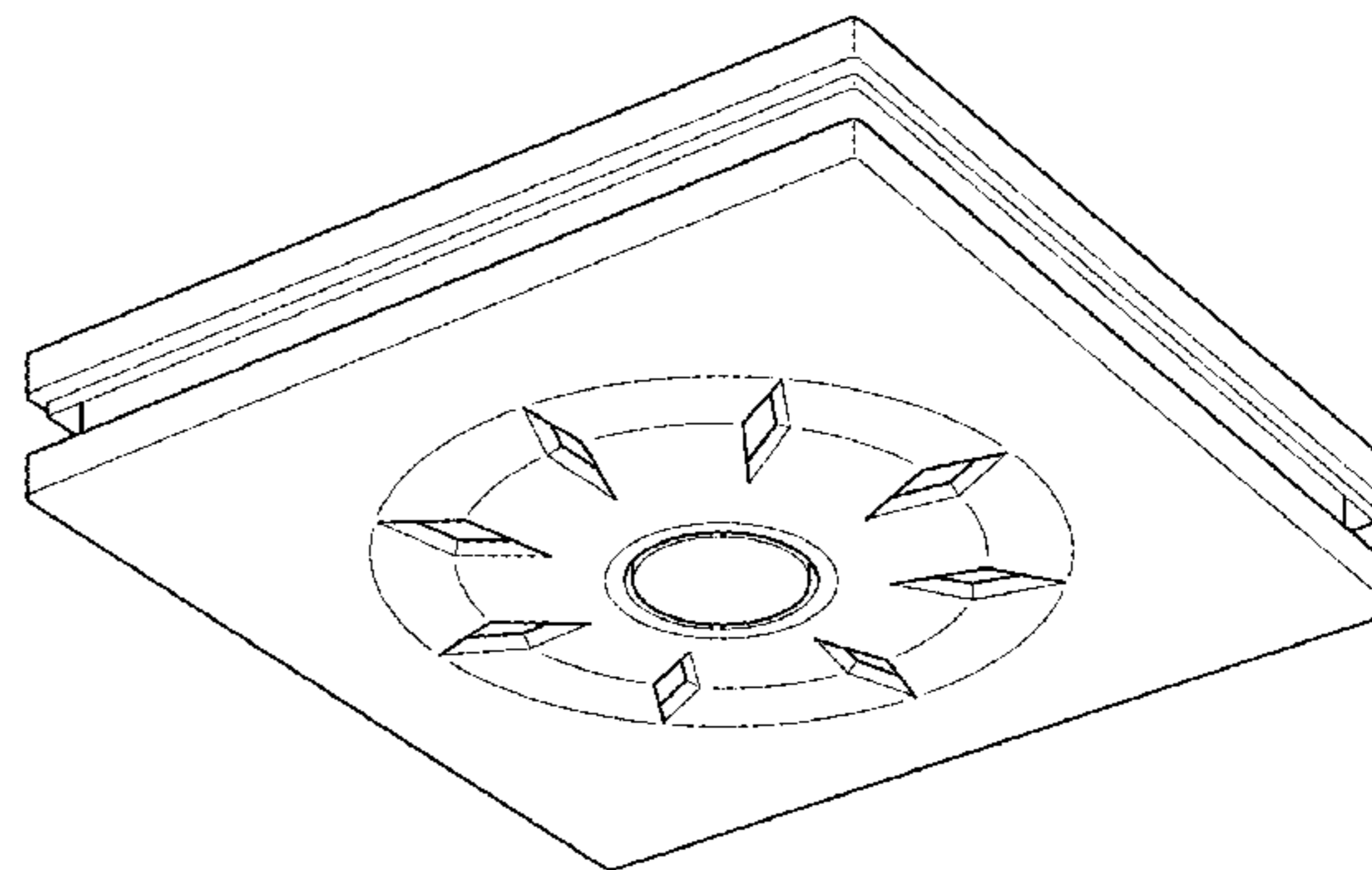
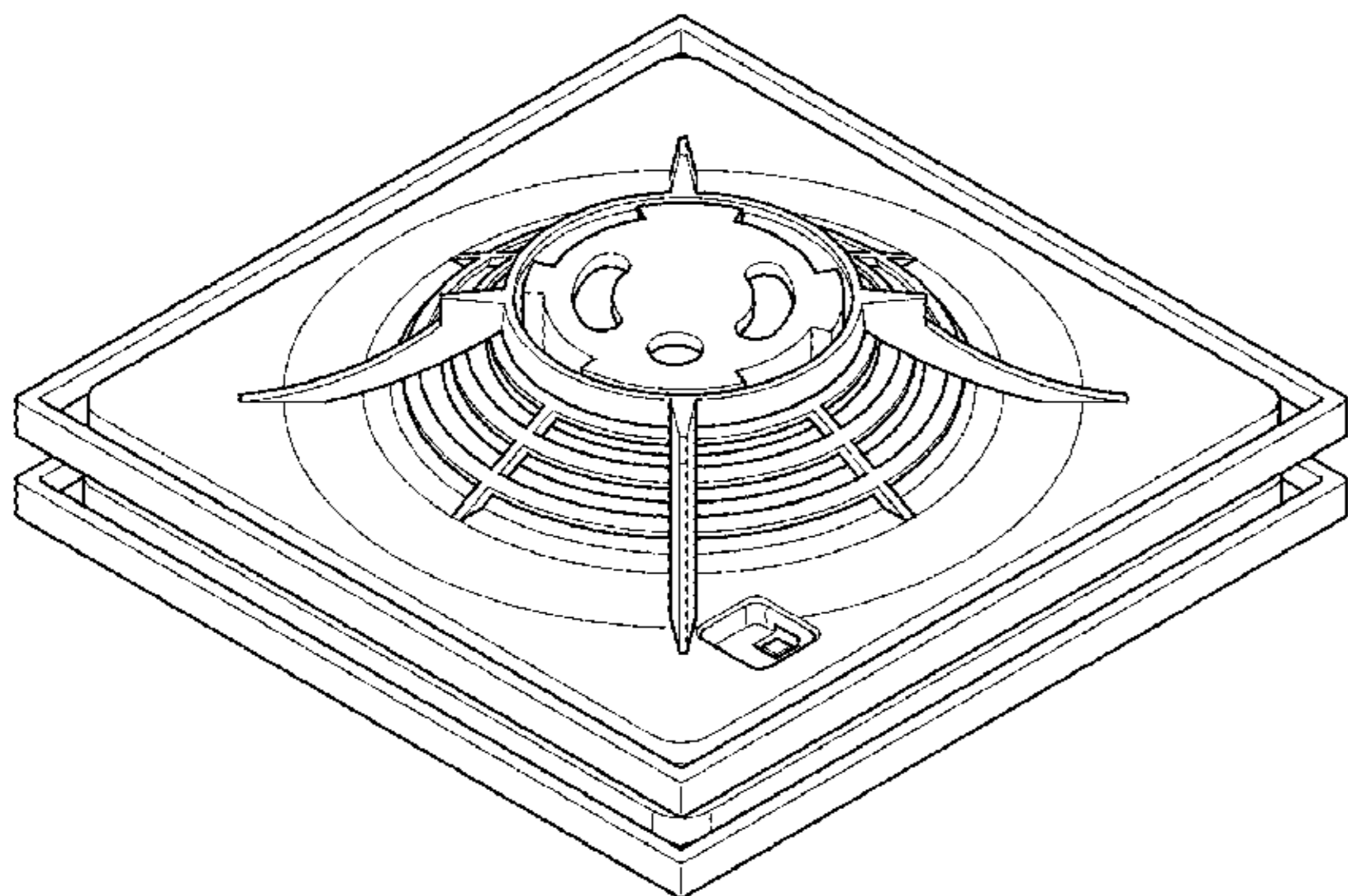
(57) **CLAIM**

The ornamental design for a fire detector, as shown and described.

DESCRIPTION

FIG. 1 is a top perspective view of an inventive fire detector; FIG. 2 is a bottom perspective view of the fire detector depicted in FIG. 1; FIG. 3 is a bottom view of the fire detector depicted in FIG. 1; FIG. 4 is a top view of the fire detector depicted in FIG. 1; and, FIG. 5 is a side view of the fire detector depicted in FIG. 1, where orthogonal side views and an opposing side view to that shown in FIG. 5 are identical that depicted in FIG. 5.

1 Claim, 3 Drawing Sheets



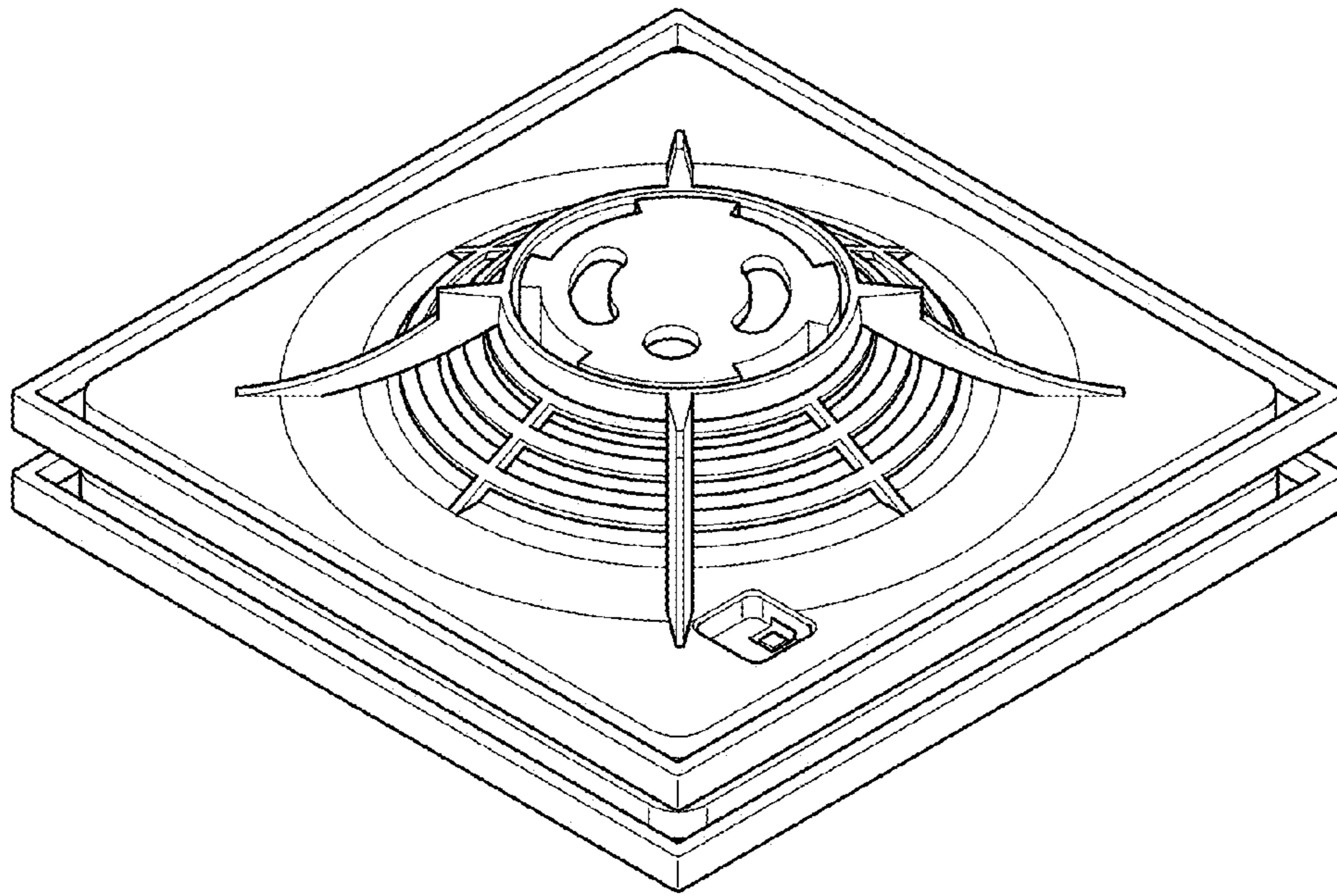


FIG. 1

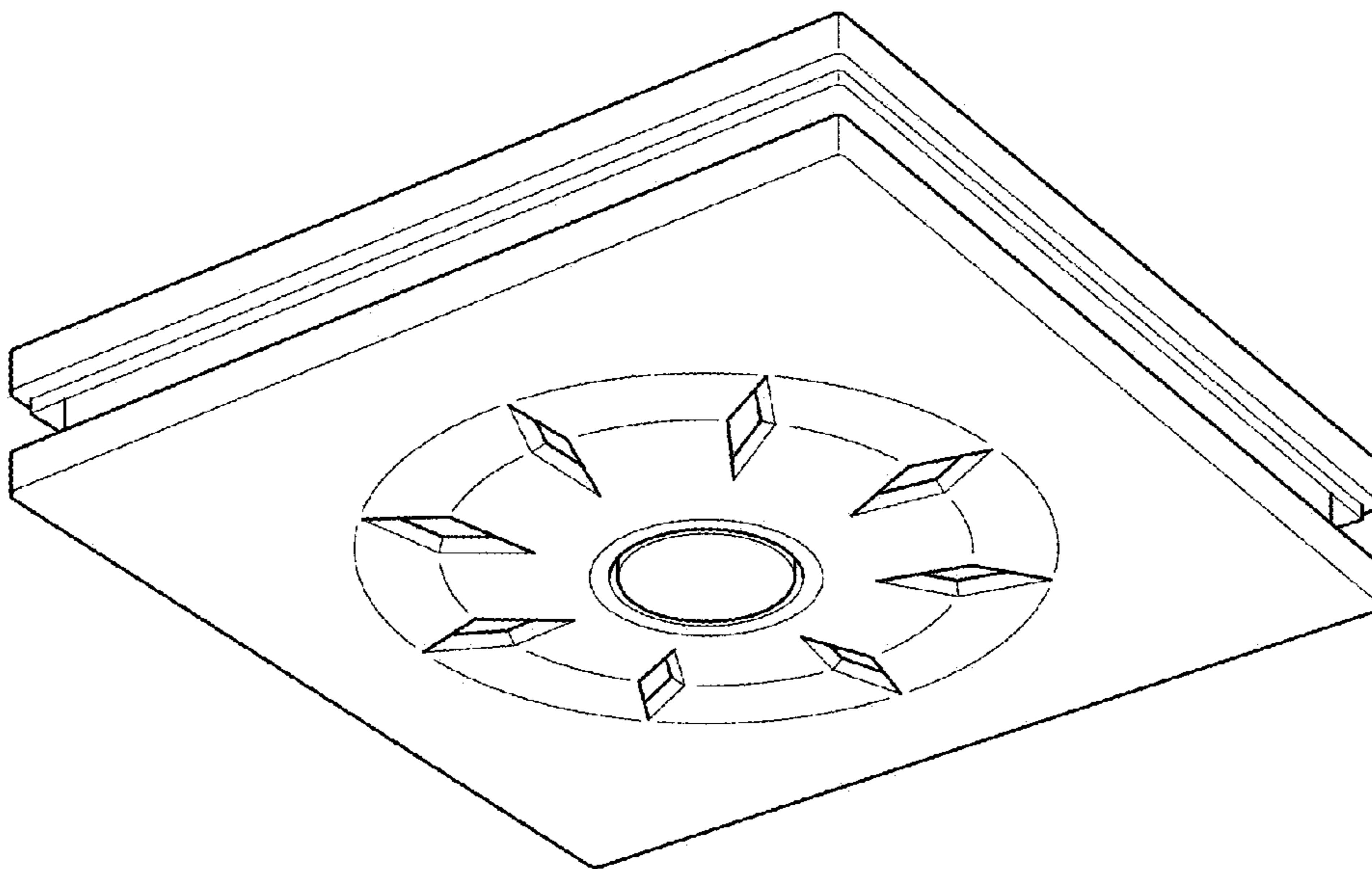


FIG. 2

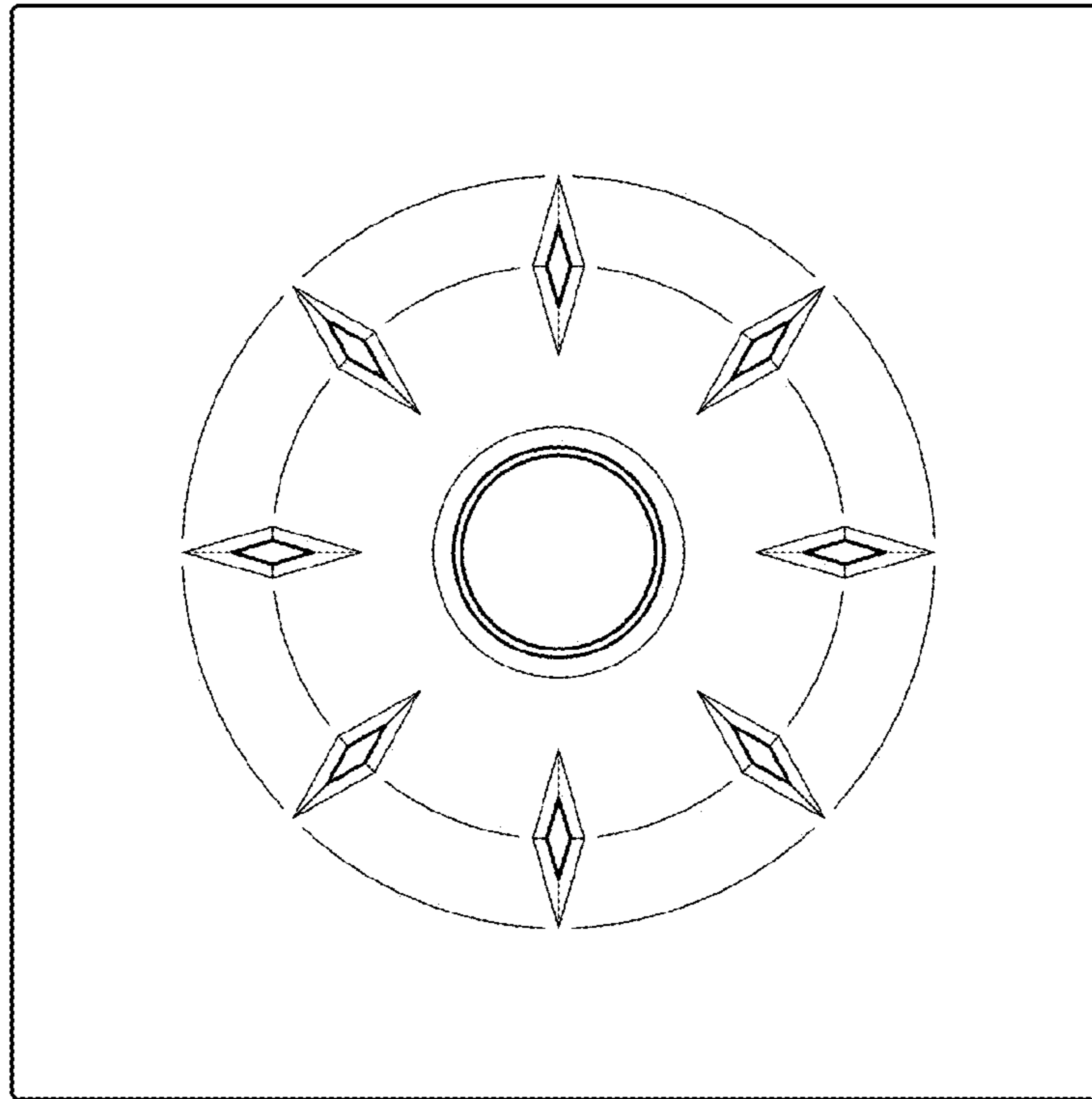


FIG. 3

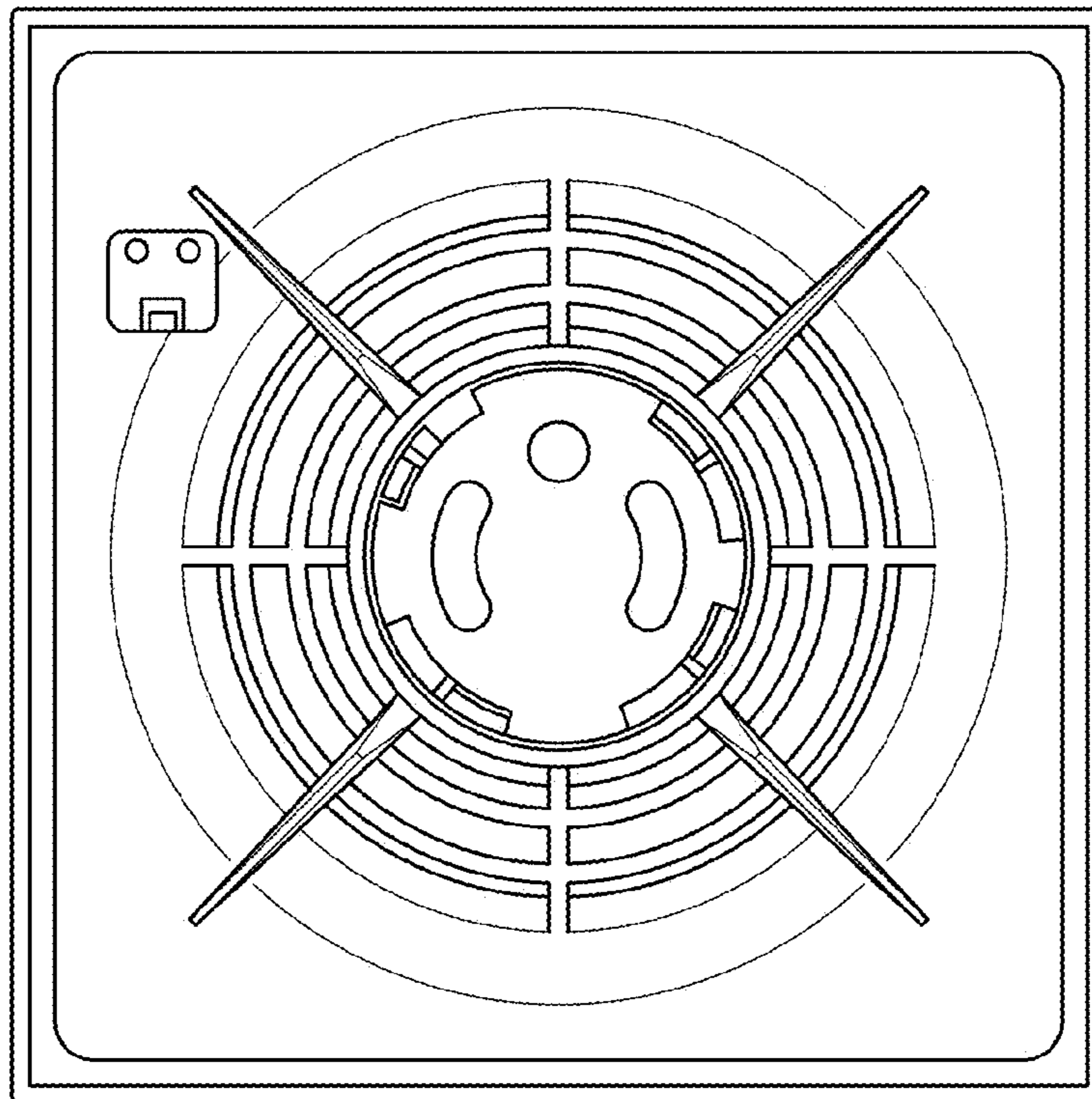


FIG. 4

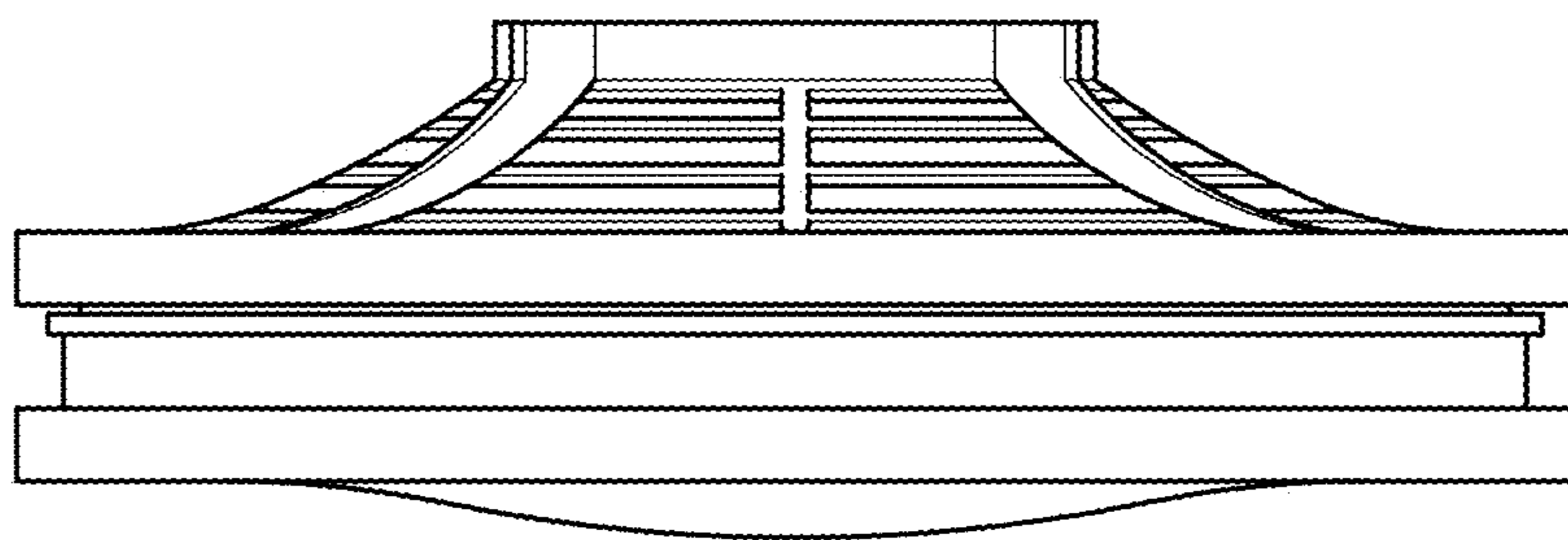


FIG. 5