



US00D685277S

(12) **United States Design Patent**  
**Ammon et al.**

(10) **Patent No.:** **US D685,277 S**  
(45) **Date of Patent:** **\*\* Jul. 2, 2013**

- (54) **ANALYTICAL INSTRUMENT**
- (71) Applicant: **Mettler-Toledo AG**, Greifensee (CH)
- (72) Inventors: **Patrick Ammon**, Brugg (CH); **Yves Marmier**, La Chaux-de-Fonds (CH); **Chong Zhu**, Shanghai (CN)
- (73) Assignee: **Mettler-Toledo AG**, Greifensee (CH)
- (\*\*) Term: **14 Years**
- (21) Appl. No.: **29/439,857**
- (22) Filed: **Dec. 17, 2012**

- (30) **Foreign Application Priority Data**  
Jun. 29, 2012 (EM) ..... 002065706
- (51) **LOC (9) Cl.** ..... **10-04**
- (52) **U.S. Cl.**  
USPC ..... **D10/81**
- (58) **Field of Classification Search**  
USPC .. D10/81; D24/216, 224, 232-234; 73/61.74, 73/590; 204/402, 403.11, 403.14, 435; 205/777.5, 792; 210/652, 267, 85, 149, 258, 210/321.6, 198.1, 739; 250/252.1, 339.09; 324/713, 21, 439, 441, 698, 71.1, 721; 356/432; 374/55.1, 56, 134, E15.001, 1.01; 702/23, 702/19, 22, 30; 703/6; 341/162, 155, 160; 436/52, 138, 43, 62, 55, 127; 422/62, 68.1, 422/73, 79; 435/287.1, 29, 32; 700/266  
See application file for complete search history.

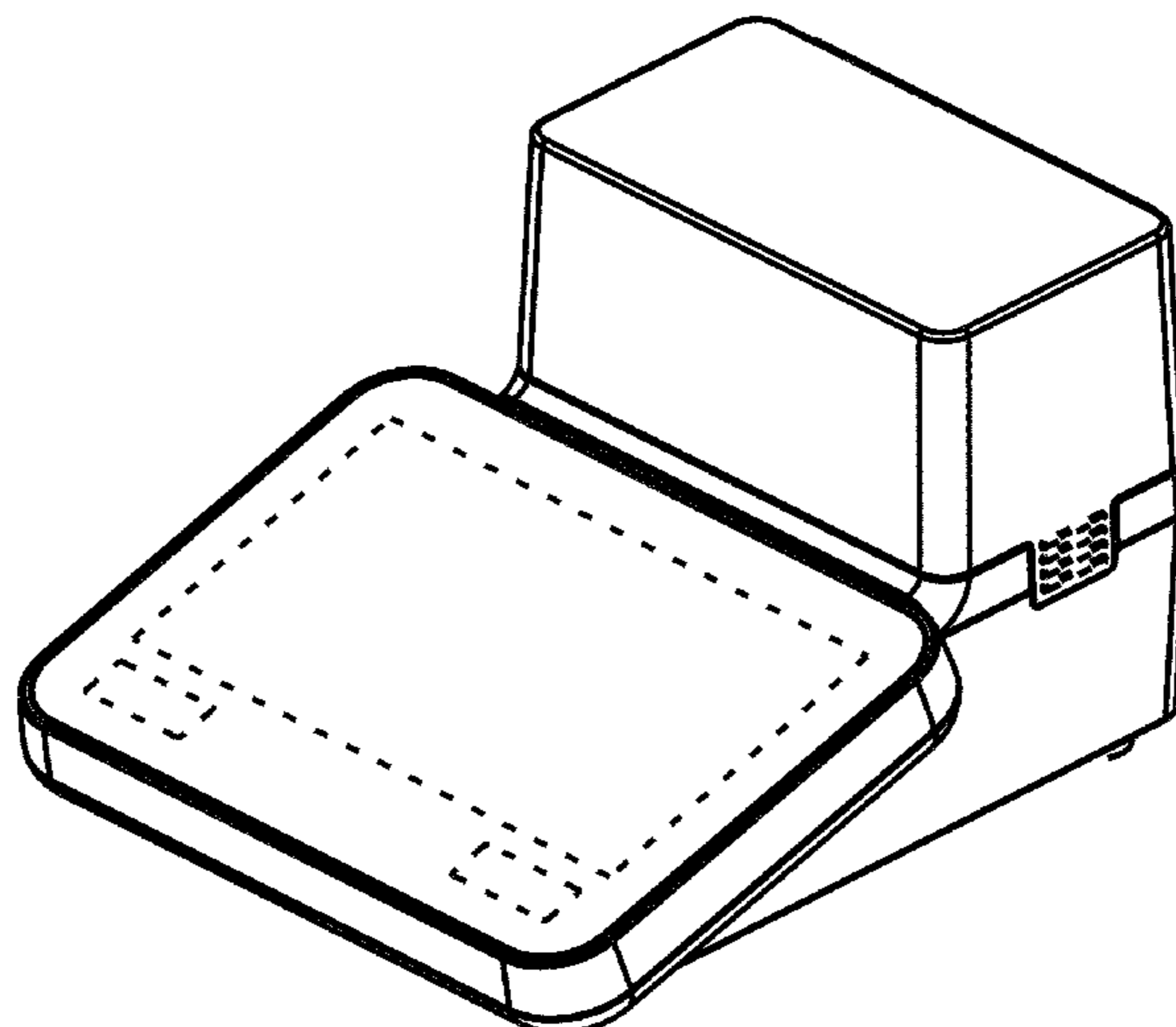
- (56) **References Cited**  
U.S. PATENT DOCUMENTS  
4,184,485 A \* 1/1980 Agoston ..... 600/483  
D261,033 S \* 9/1981 Armbruster ..... D24/216  
4,293,916 A \* 10/1981 Del Re et al. .... 703/6  
4,301,414 A \* 11/1981 Hill et al. .... 324/446  
D266,151 S \* 9/1982 Dawson ..... D10/81  
D285,114 S \* 8/1986 Collister et al. .... D24/216

(Continued)  
*Primary Examiner* — Antoine D Davis  
(74) *Attorney, Agent, or Firm* — Standley Law Group LLP

(57) **CLAIM**  
The ornamental design for an analytical instrument, as shown and described.

**DESCRIPTION**  
FIG. 1 is a front perspective view of a first embodiment of the analytical instrument, with broken lining on a surface showing functional elements that are not considered part of the design;  
FIG. 2 is a front elevation view of the FIG. 1 device;  
FIG. 3 is a top plan view of the FIG. 1 device;  
FIG. 4 is a bottom plan view of the FIG. 1 device;  
FIG. 5 is a left side elevation view of the FIG. 1 device;  
FIG. 6 is a right side elevation view of the FIG. 1 device;  
FIG. 7 is a rear elevation plan view of the FIG. 1 device, the broken lining showing operational elements that are not considered part of the design;  
FIG. 8 is a front perspective view of the FIG. 1 device with a cover removed, the broken lining showing both the functional elements and the operational elements;  
FIG. 9 is a front elevation view of the FIG. 8 device;  
FIG. 10 is a top plan view of the FIG. 8 device;  
FIG. 11 is a left side elevation view of the FIG. 8 device;  
FIG. 12 is a right side elevation view of the FIG. 8 device; and,  
FIG. 13 is a rear elevation plan view of the FIG. 8 device.

**1 Claim, 13 Drawing Sheets**



# US D685,277 S

Page 2

---

U.S. PATENT DOCUMENTS			
4,623,793	A *	11/1986	Hofke et al. .... 250/341.2
5,644,239	A *	7/1997	Huang et al. .... 324/439
6,607,920	B2 *	8/2003	Jennings et al. .... 436/155
6,707,043	B2 *	3/2004	Coates et al. .... 250/339.09
8,394,637	B2 *	3/2013	Schulat et al. .... 436/50

\* cited by examiner

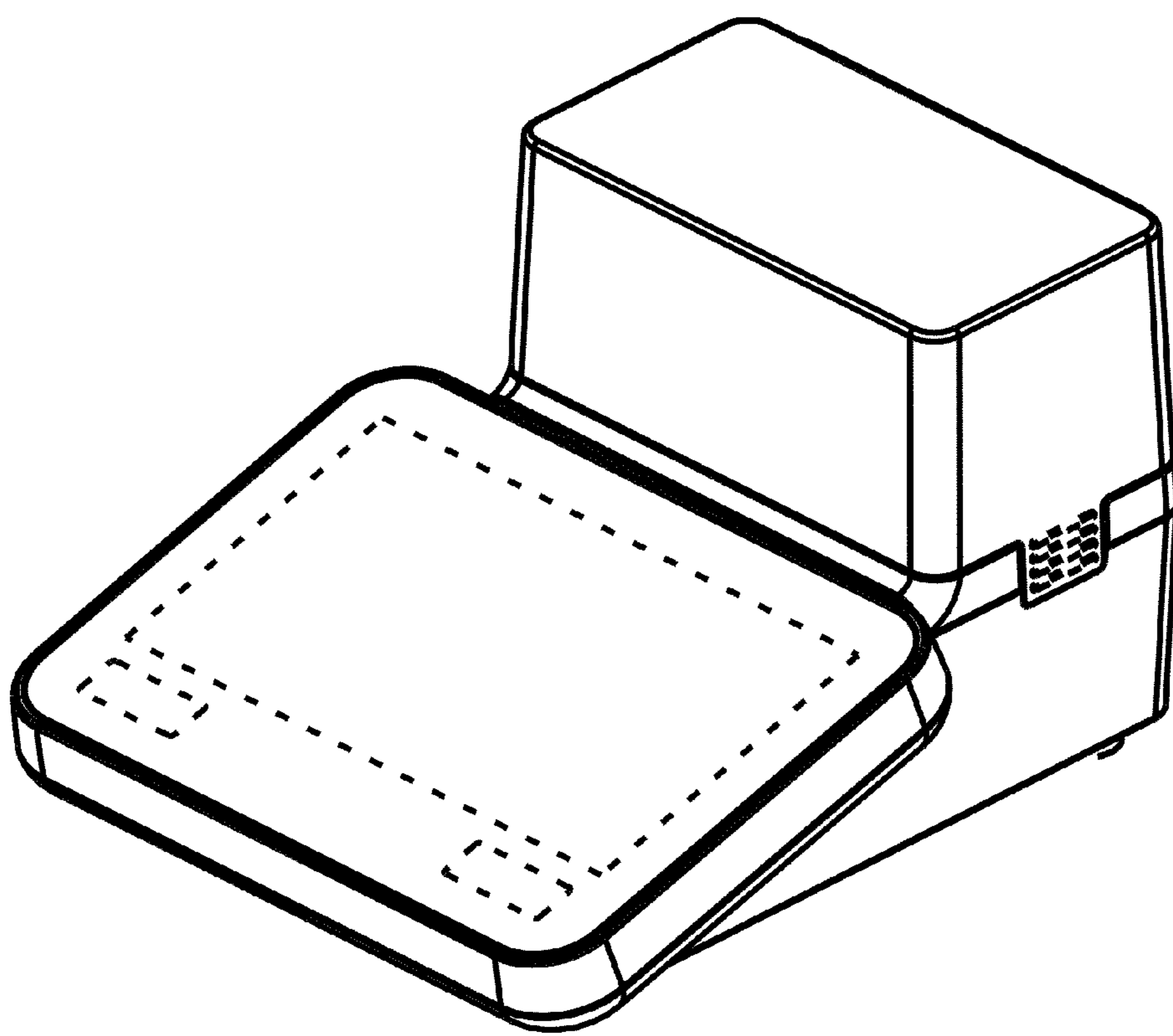


FIG. 1

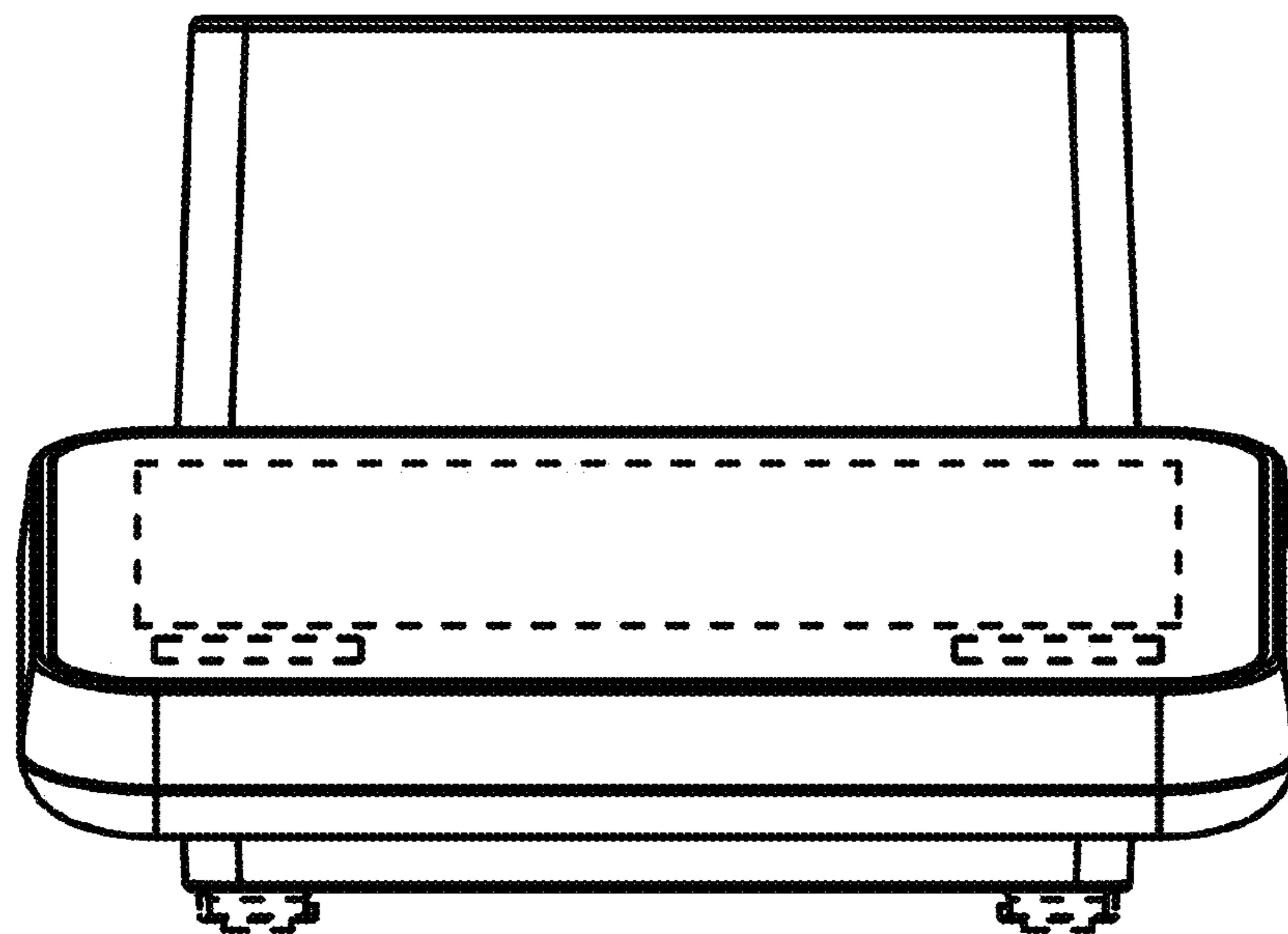


FIG. 2

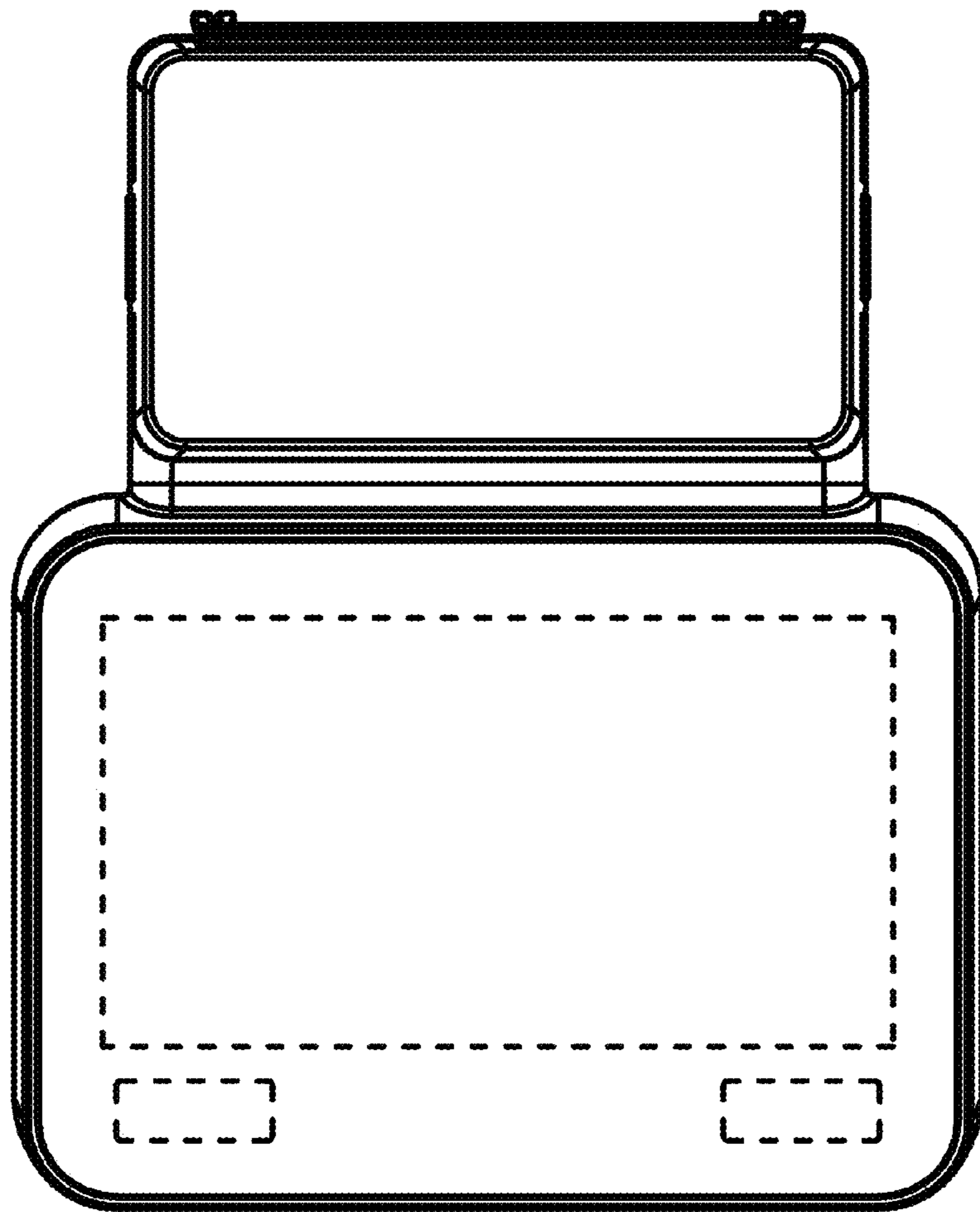


FIG. 3

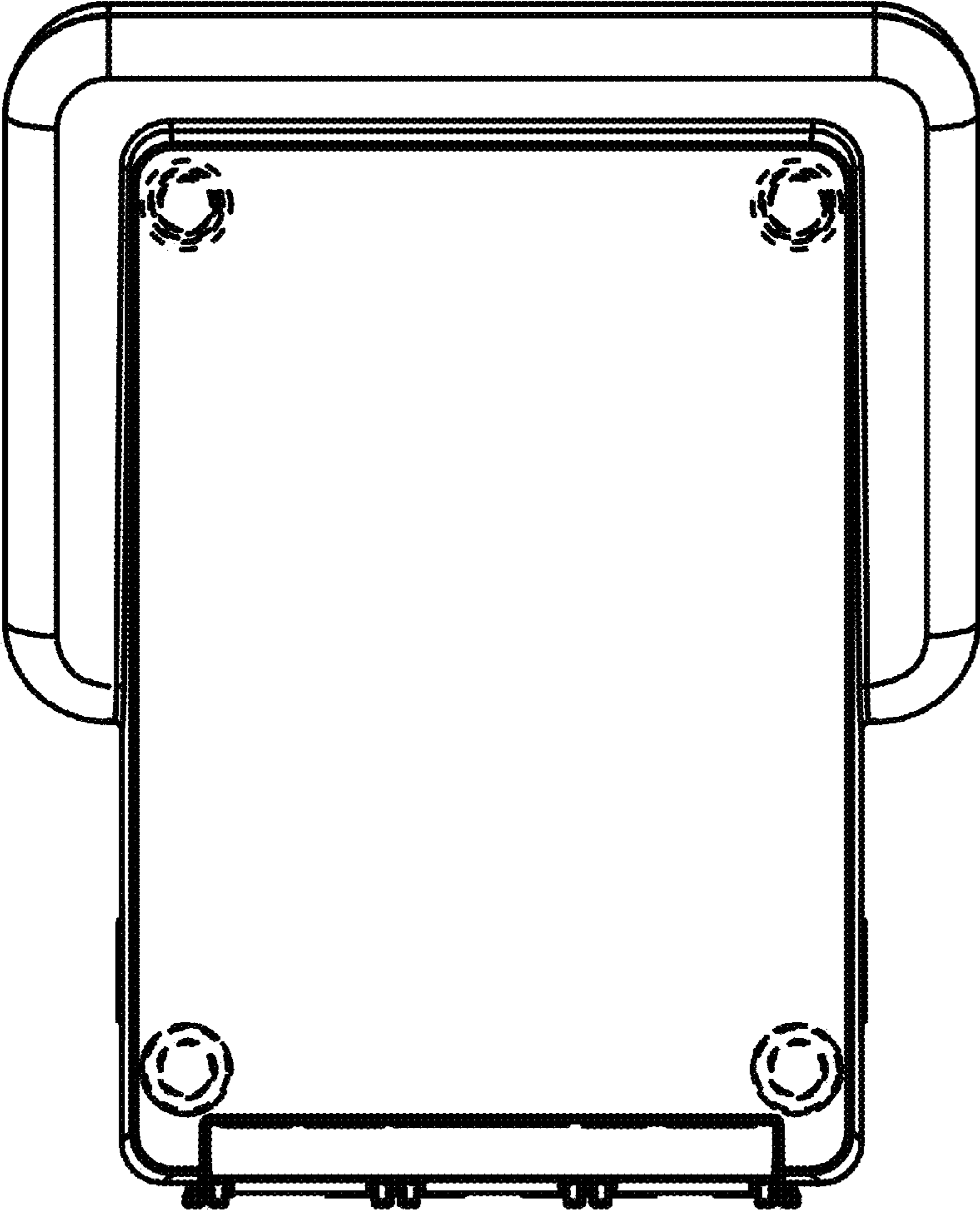


FIG. 4

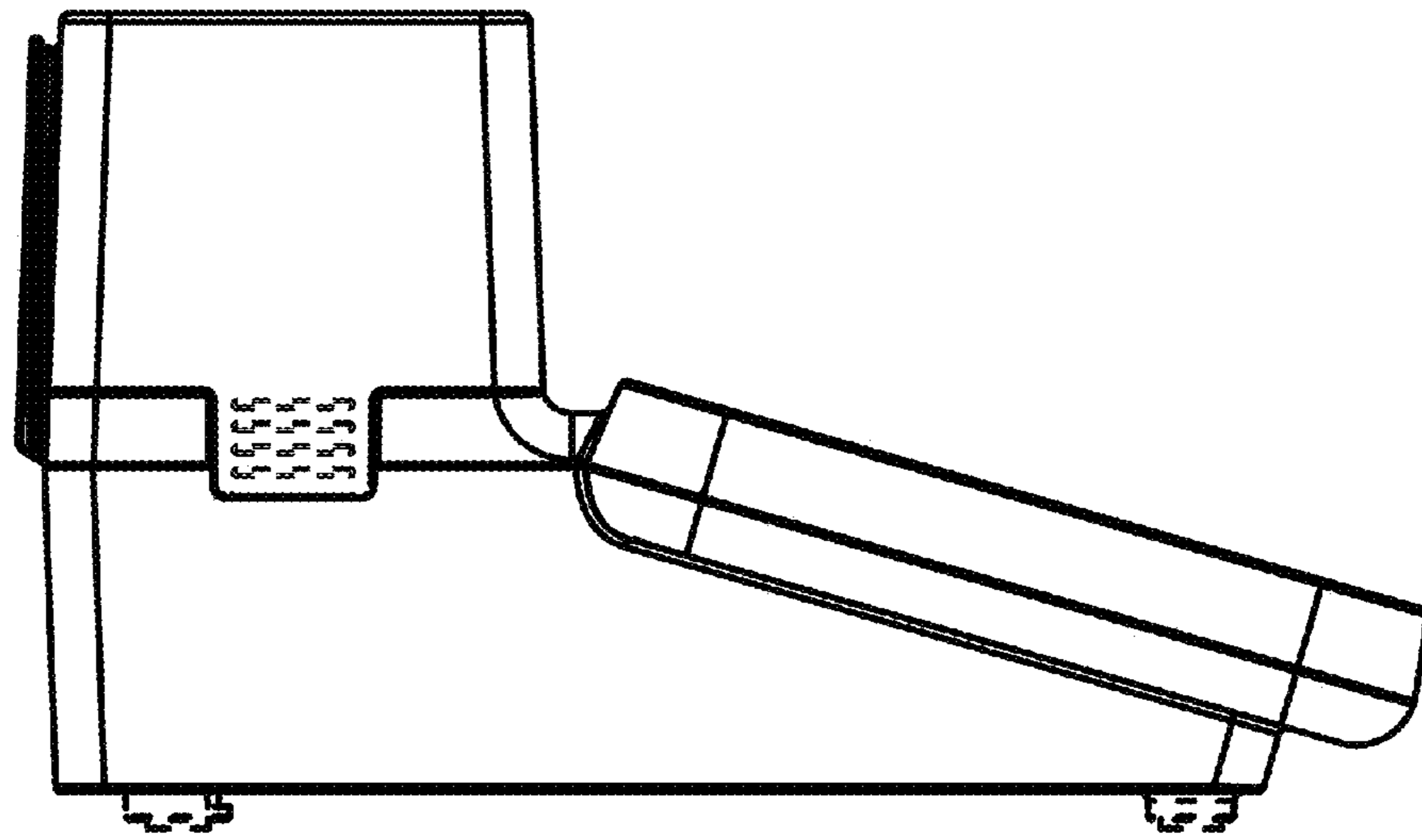


FIG. 5

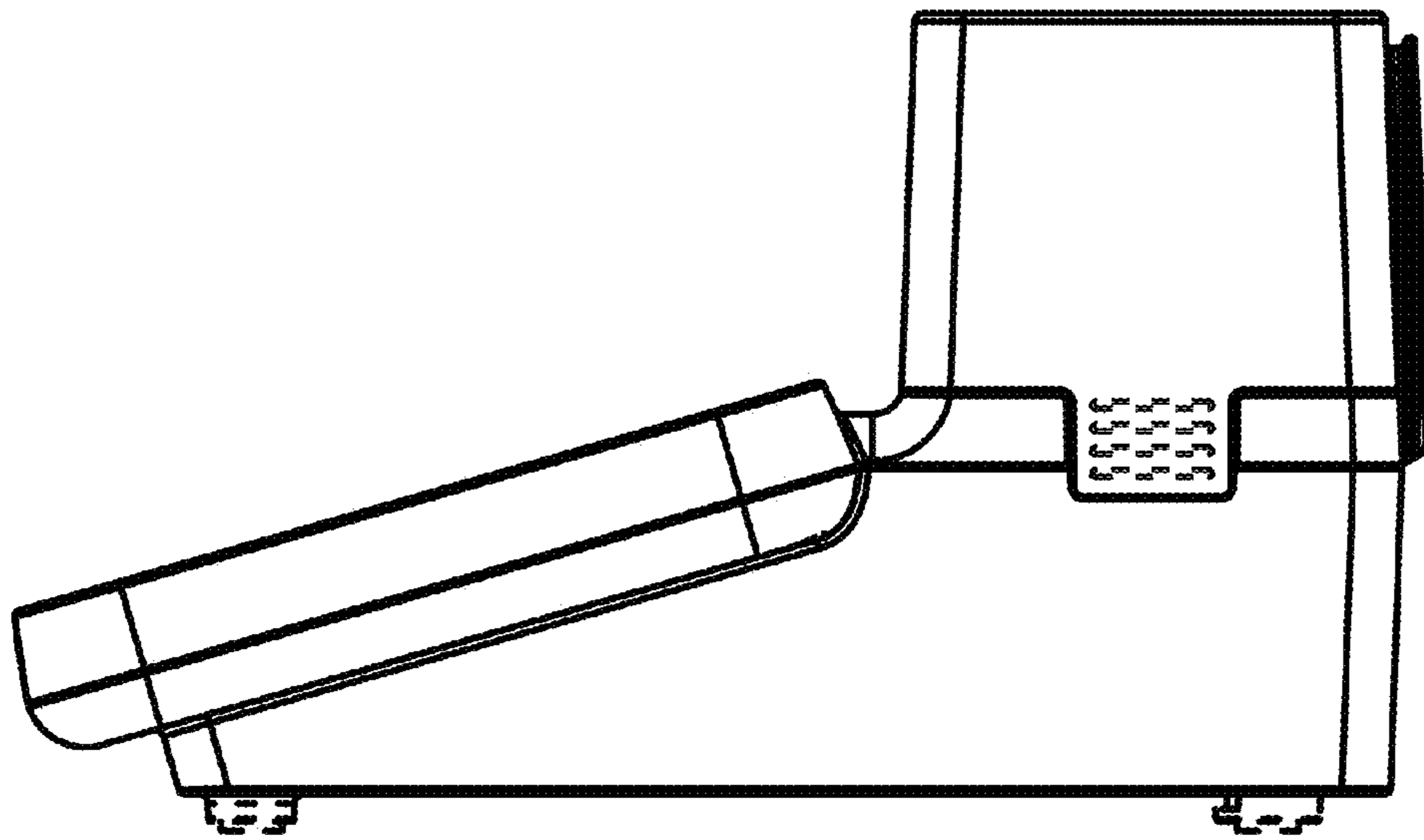


FIG. 6



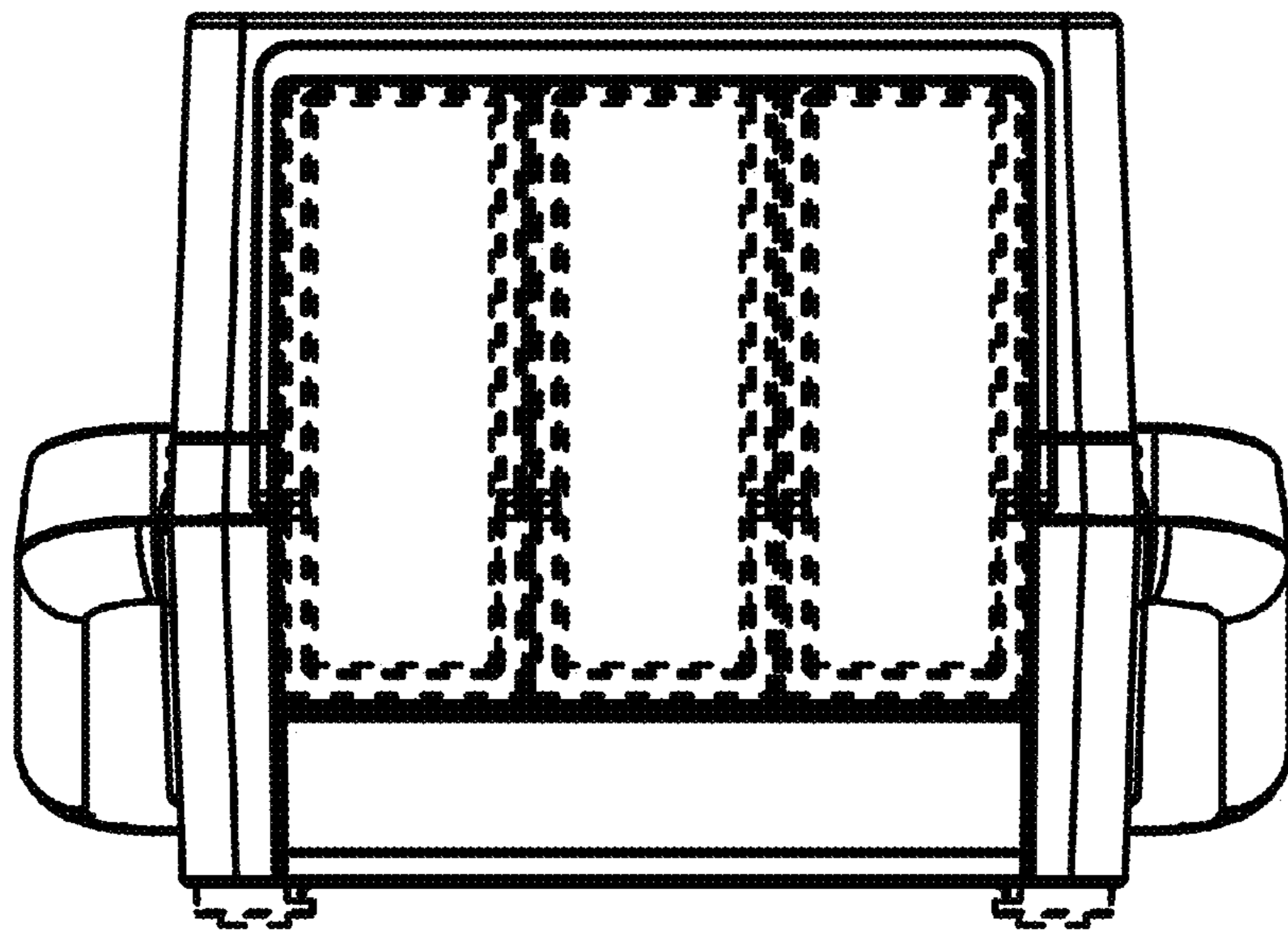


FIG. 7

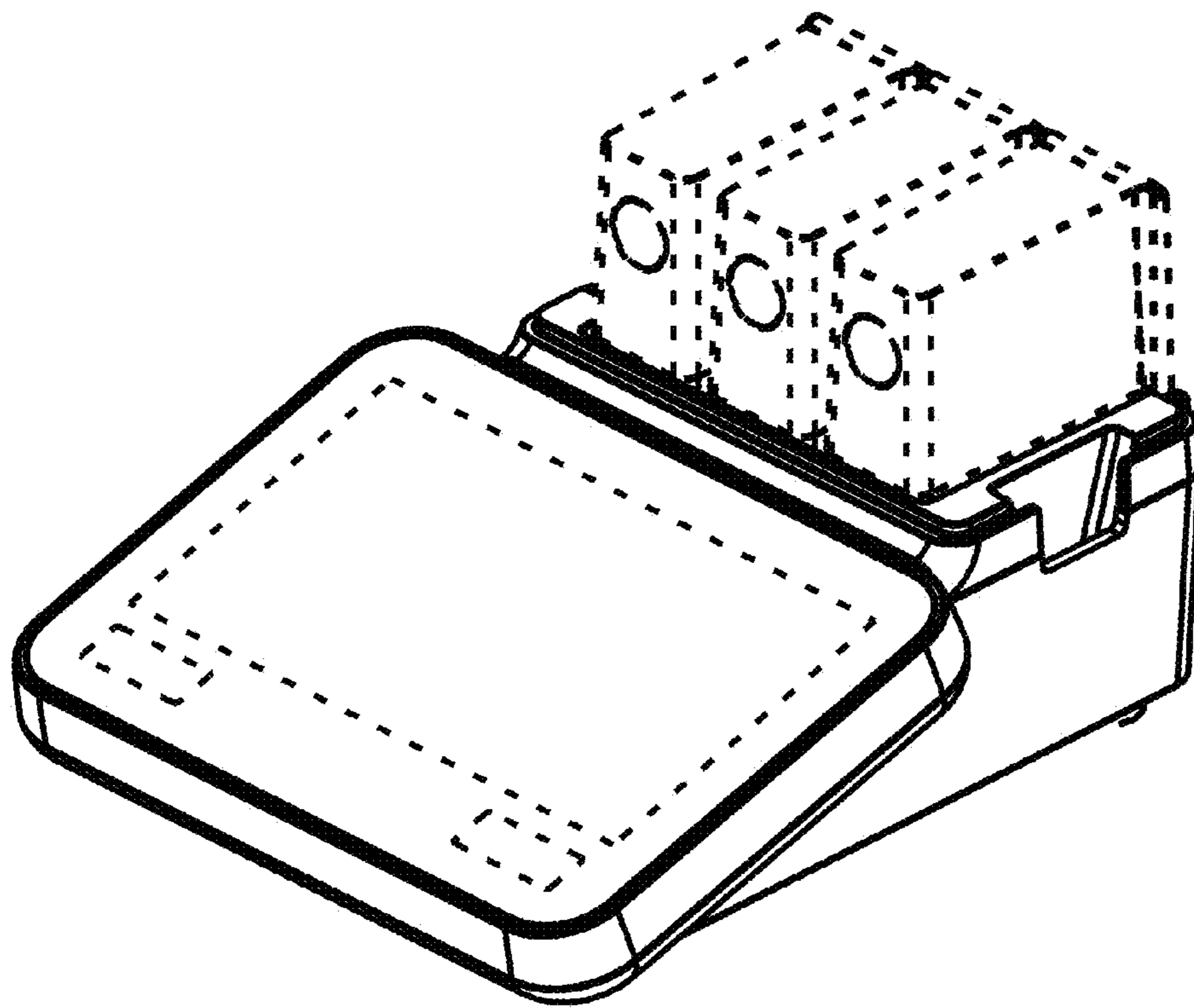


FIG. 8

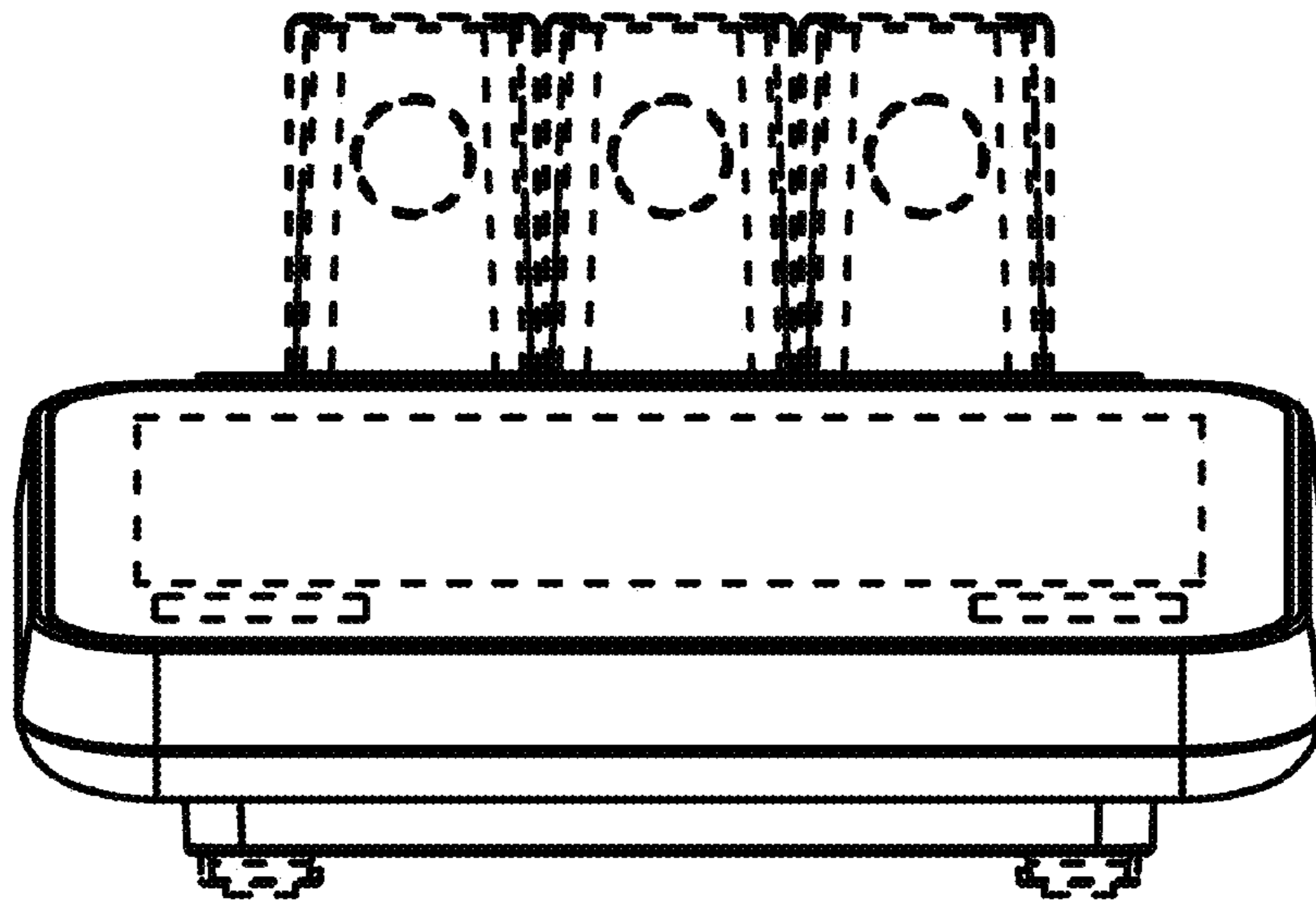


FIG. 9

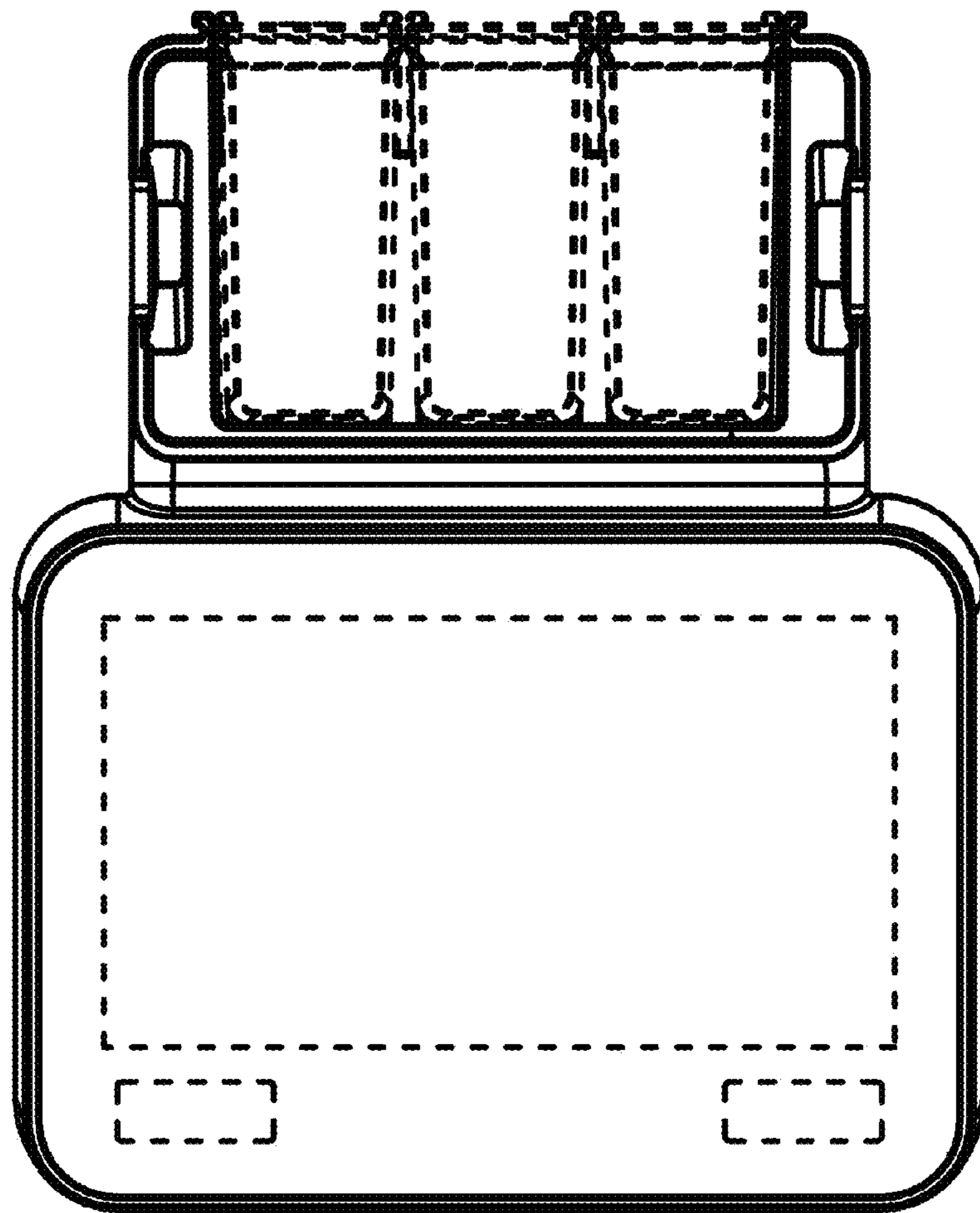


FIG. 10

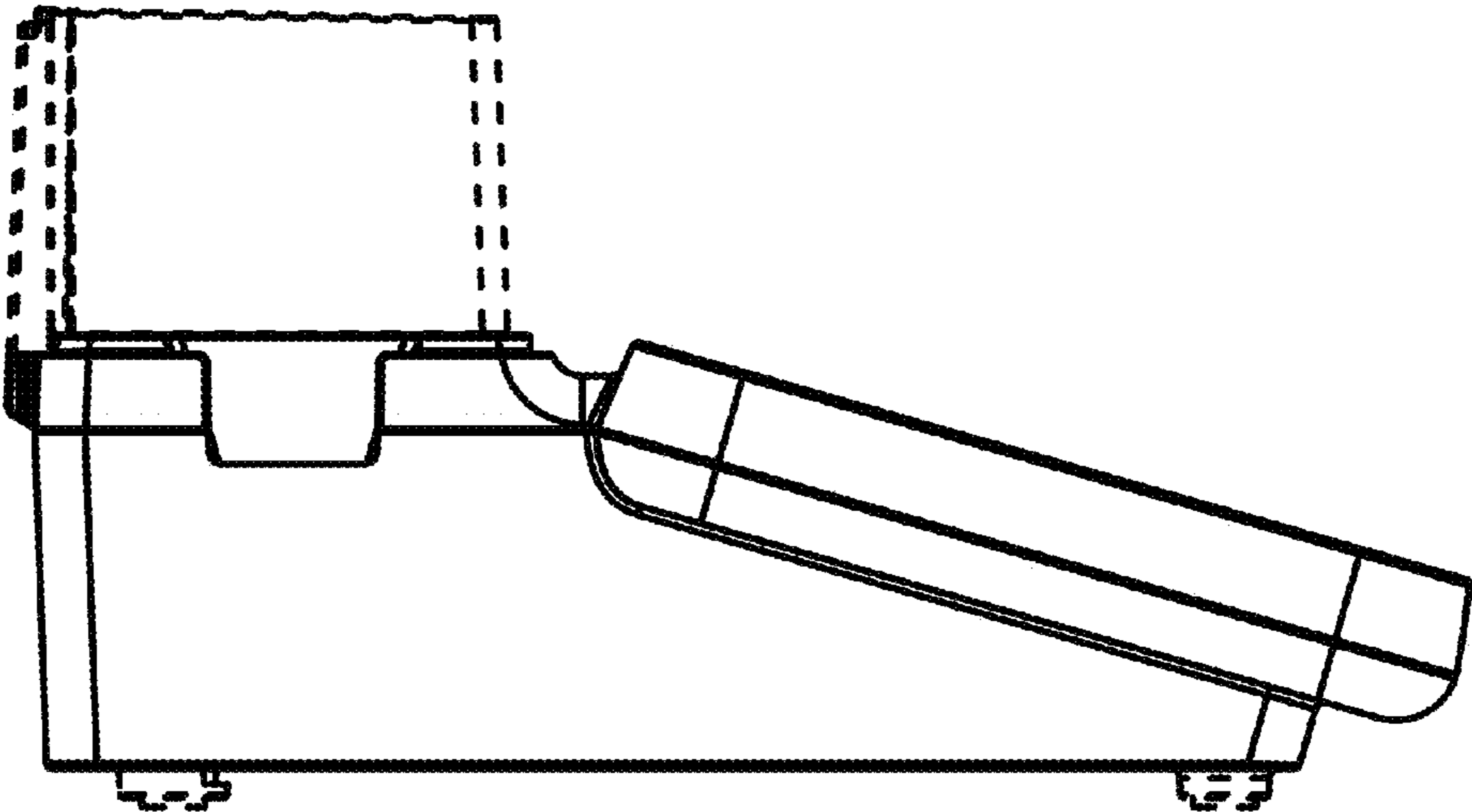


FIG. 11

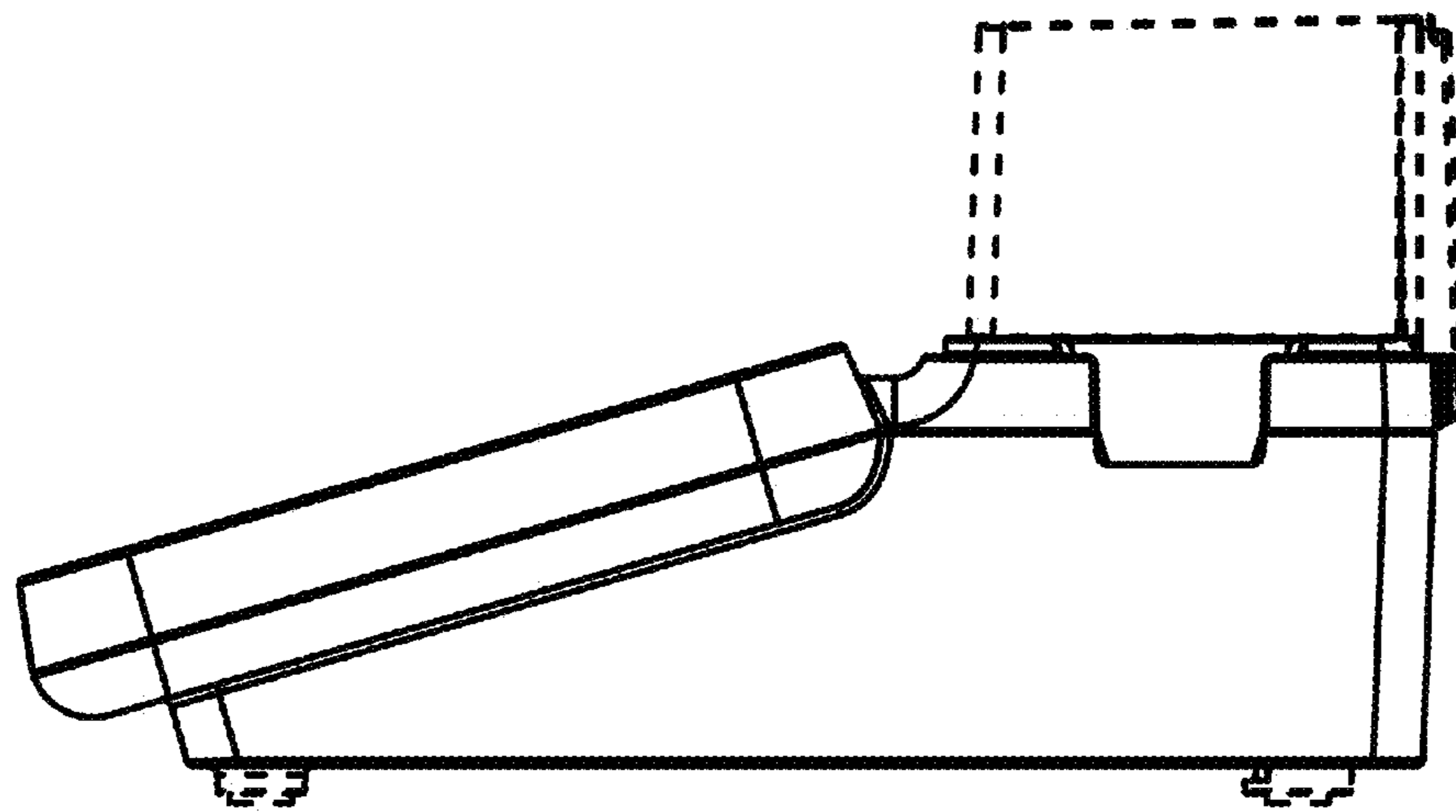


FIG. 12

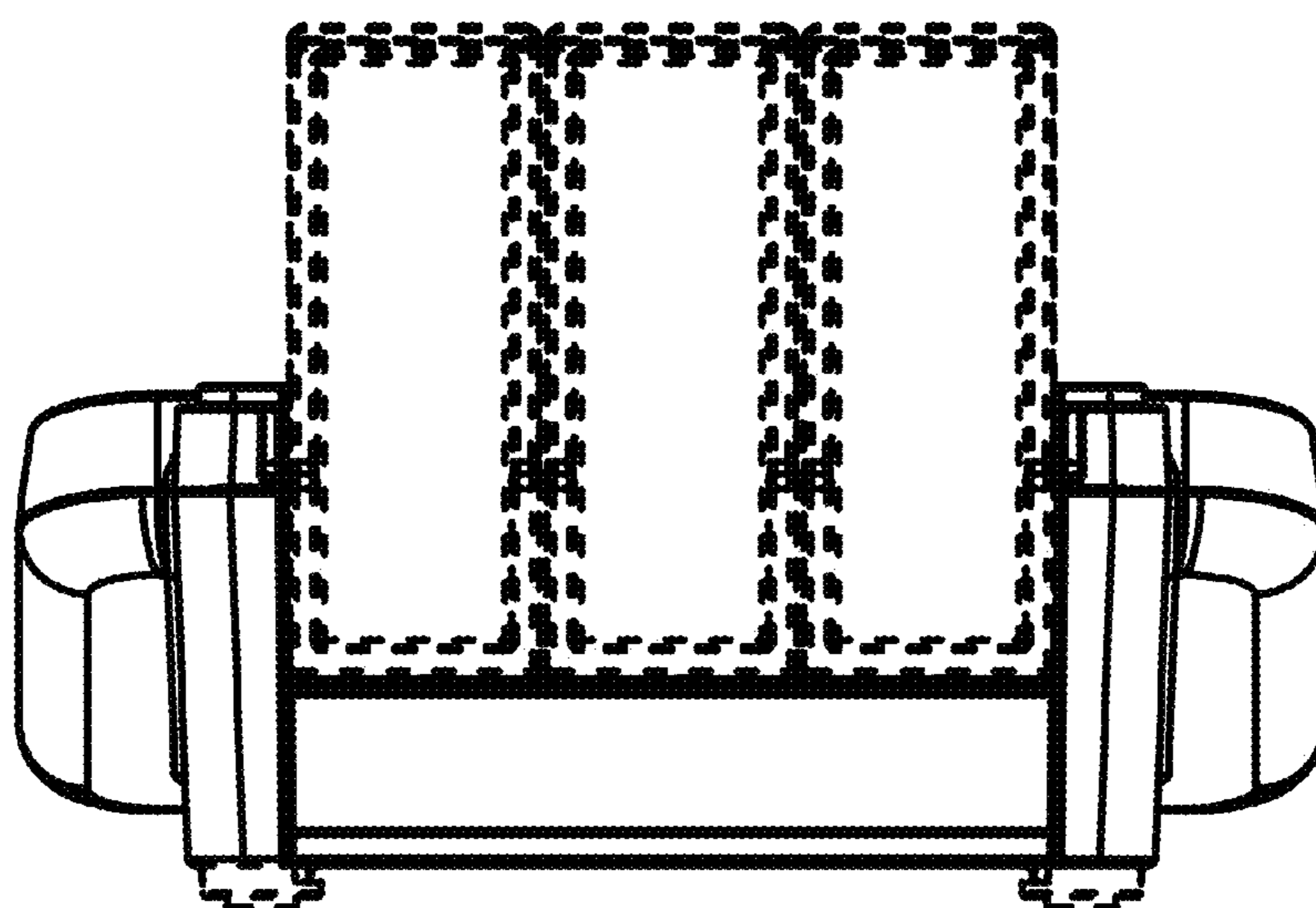


FIG. 13