



US00D685275S

(12) **United States Design Patent**
Matuschek et al.

(10) **Patent No.:** **US D685,275 S**
(45) **Date of Patent:** **** Jul. 2, 2013**

(54) **PROBE HEAD FOR COORDINATE
MEASURING MACHINE**

(75) Inventors: **Walter Matuschek**, Aalen (DE);
Christian Siegel, Aalen (DE); **Tobias
Woletz**, Essingen (DE); **Walter Jenisch**,
Heidenheim (DE); **Kurt Brenner**,
Satteldorf (DE); **Thomas Engel**, Aalen
(DE)

(73) Assignee: **Carl Zeiss Industrielle Messtechnik
GmbH**, Oberkochen (DE)

(**) Term: **14 Years**

(21) Appl. No.: **29/404,518**

(22) Filed: **Oct. 21, 2011**

(30) **Foreign Application Priority Data**

Apr. 29, 2011 (EM) 00185746700010010

(51) **LOC (9) Cl.** **10-04**

(52) **U.S. Cl.**
USPC **D10/74**

(58) **Field of Classification Search**
USPC D10/46, 63, 74; 33/359, 360, 601-640,
33/DIG. 3

See application file for complete search history.

(56) **References Cited**

U.S. PATENT DOCUMENTS

D327,854	S	*	7/1992	Bennett	D10/74
5,623,766	A	*	4/1997	Ruck et al.	33/561
D472,170	S	*	3/2003	Reymond	D10/74
8,144,340	B2	*	3/2012	McFarland et al.	33/559
8,294,906	B2	*	10/2012	Siercks et al.	356/615

* cited by examiner

Primary Examiner — Antoine D Davis

(74) *Attorney, Agent, or Firm* — Harness, Dickey & Pierce,
P.L.C.

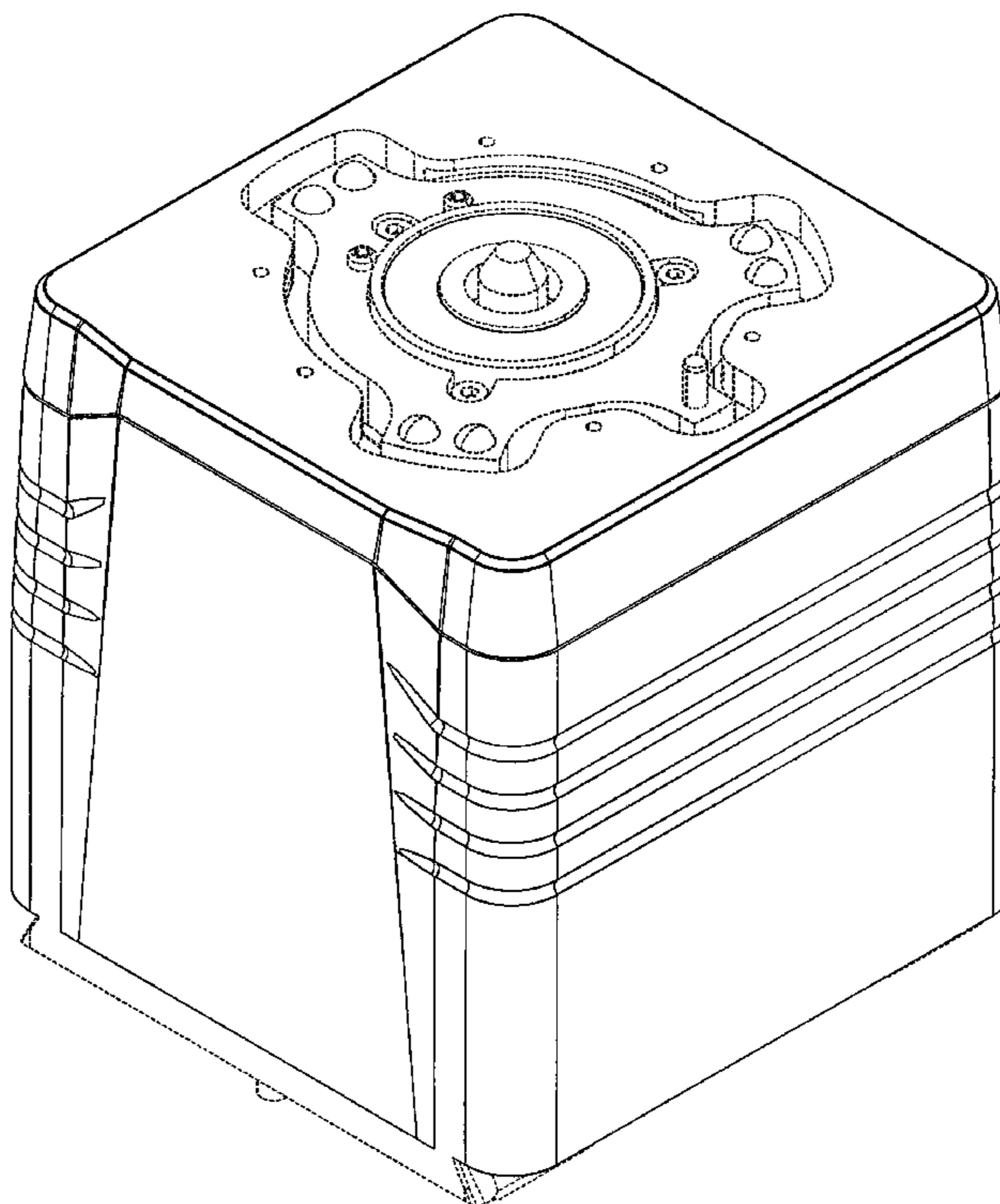
(57) **CLAIM**

The ornamental design for a probe head for coordinate mea-
suring machine, as shown and described.

DESCRIPTION

FIG. 1 is a perspective view of a probe head for coordinate measuring machine embodying our new design; FIG. 2 is a front elevational view of the probe head for coordinate measuring machine shown in FIG. 1; FIG. 3 is a rear elevational view of the probe head for coordinate measuring machine shown in FIG. 1; FIG. 4 is a right end view of the probe head for coordinate measuring machine shown in FIG. 1; FIG. 5 is a left end view of the probe head for coordinate measuring machine shown in FIG. 1; FIG. 6 is a top elevational view of the probe head for coordinate measuring machine shown in FIG. 1; and, FIG. 7 is a bottom elevational view of the probe head for coordinate measuring machine shown in FIG. 1.

1 Claim, 7 Drawing Sheets



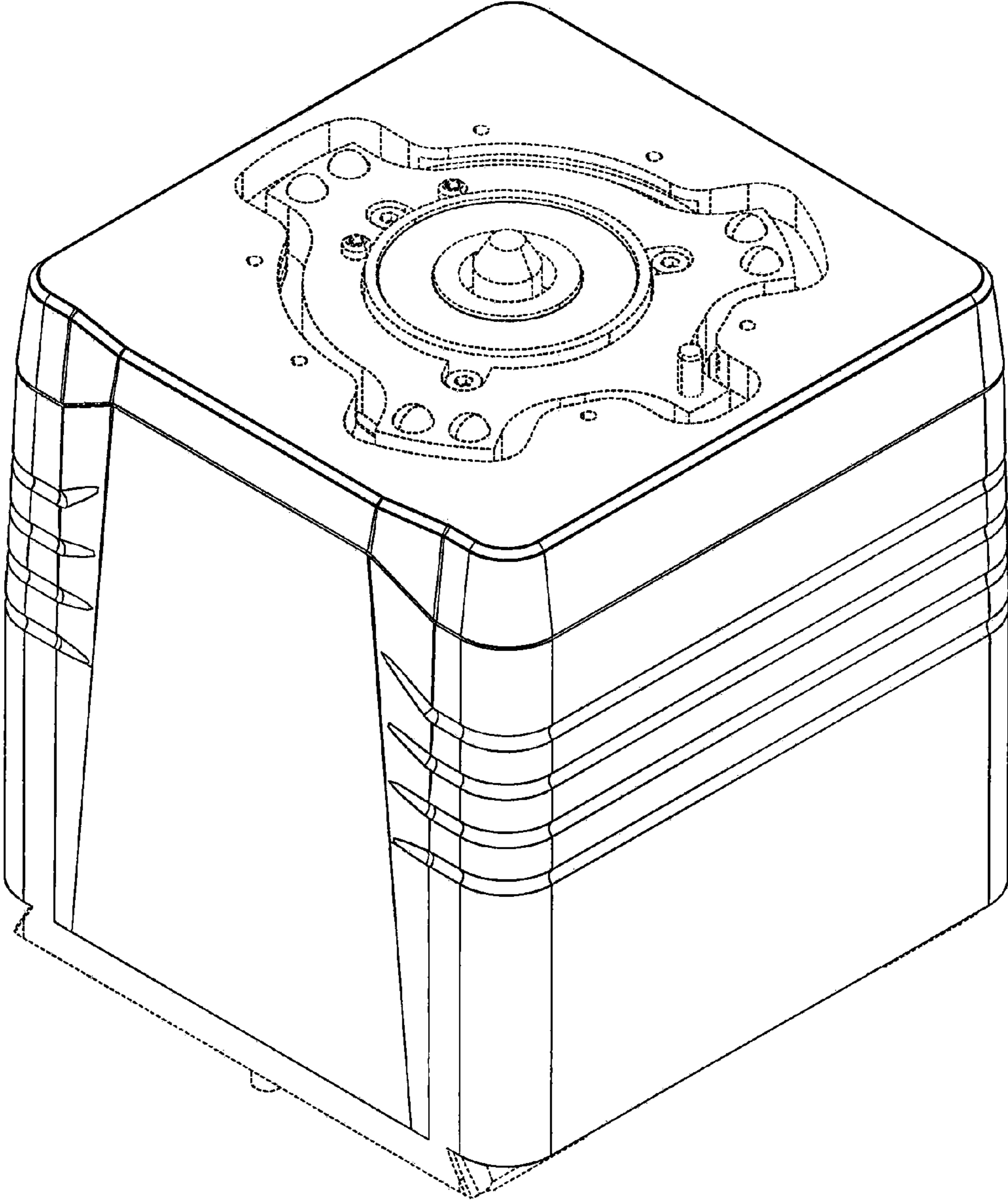


Fig. 1

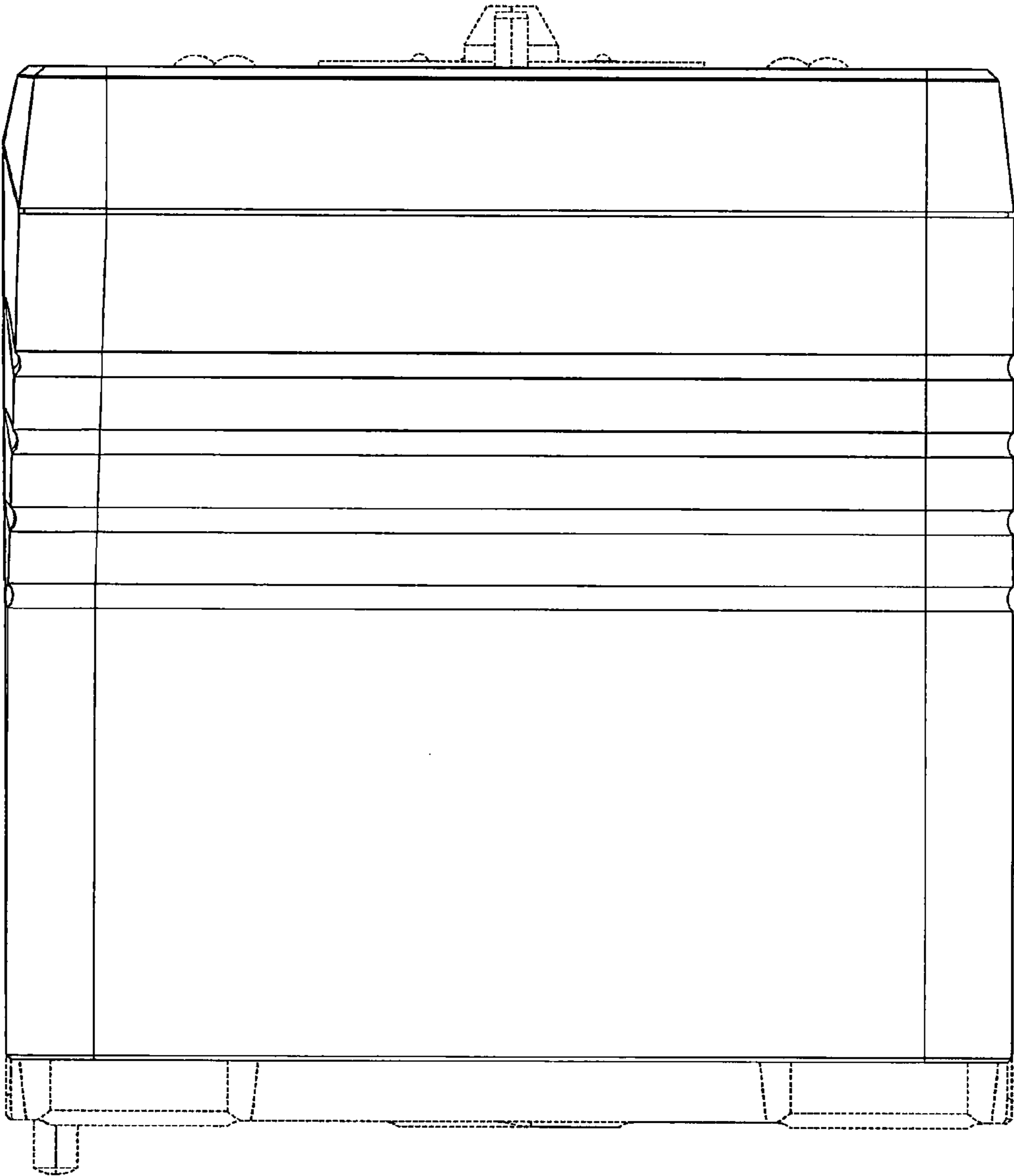


Fig. 2

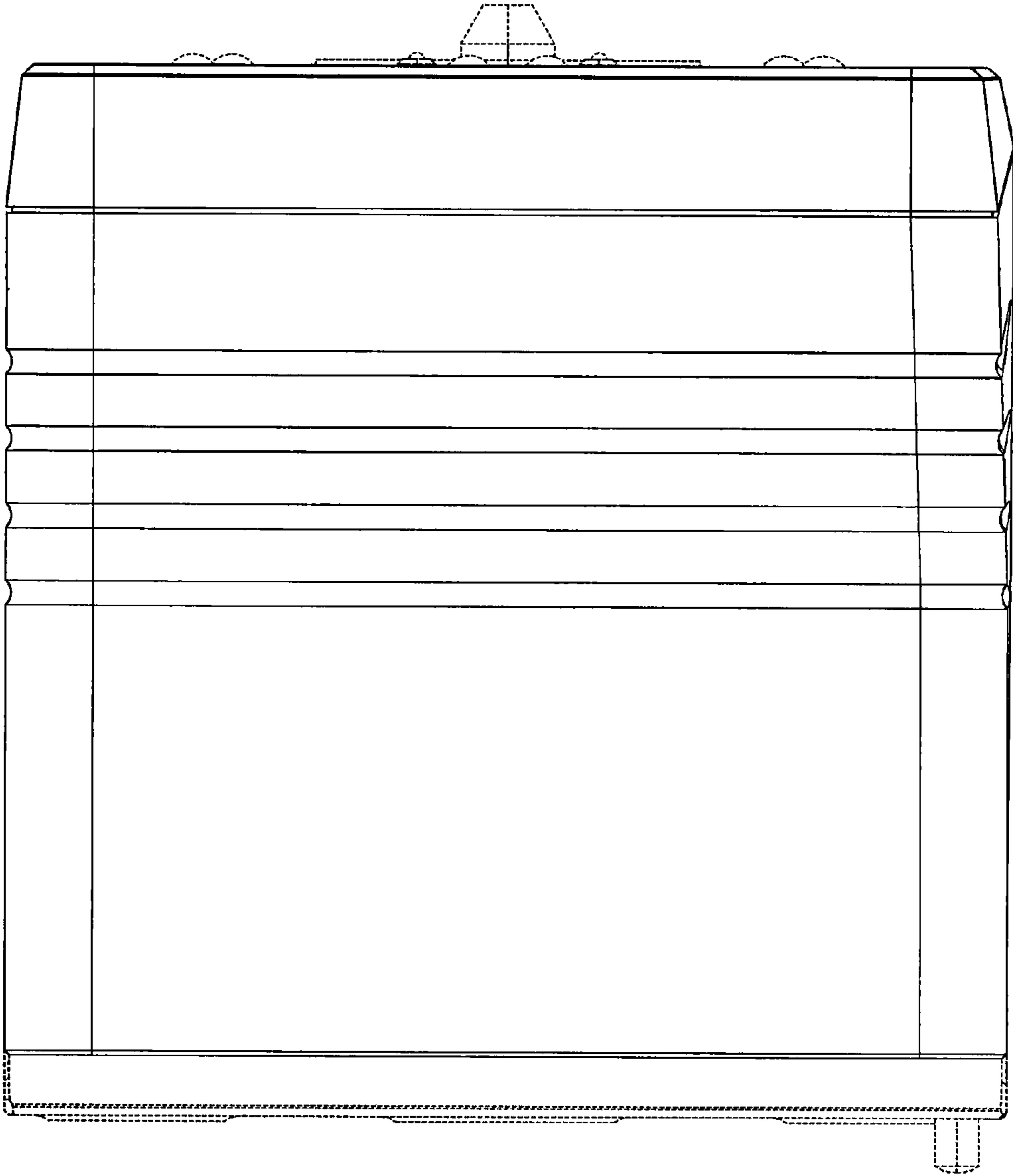


Fig. 3

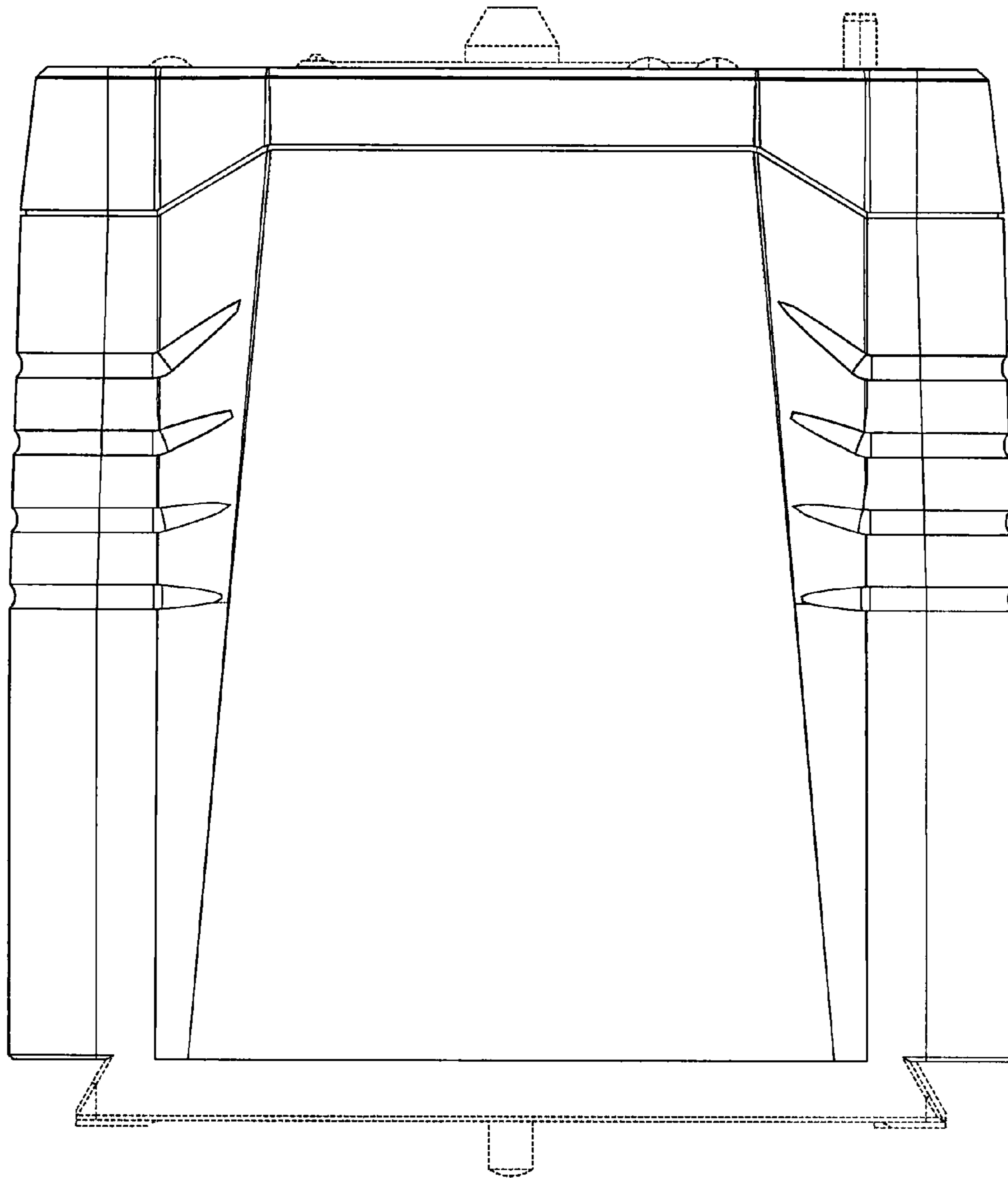


Fig. 4

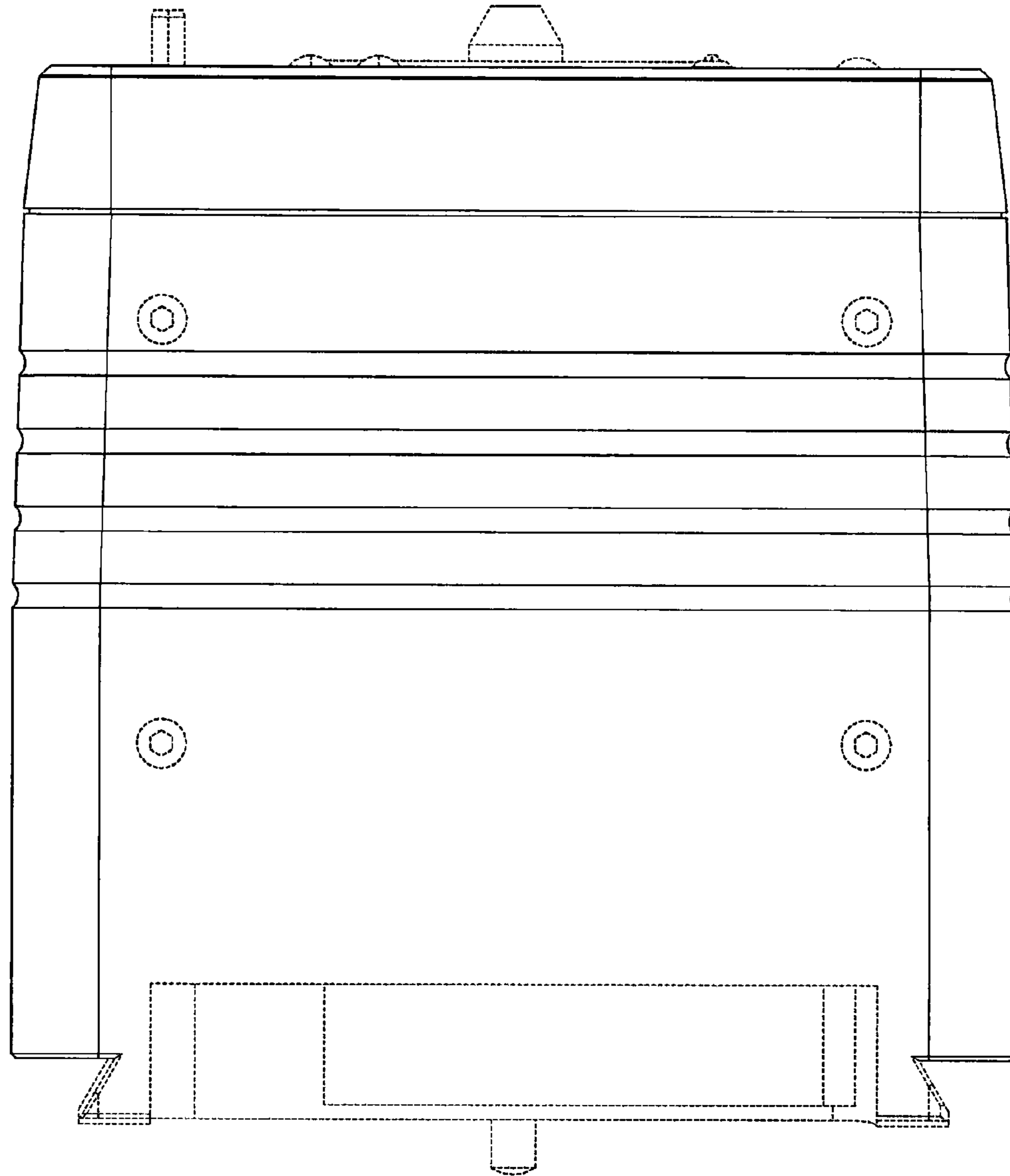


Fig. 5

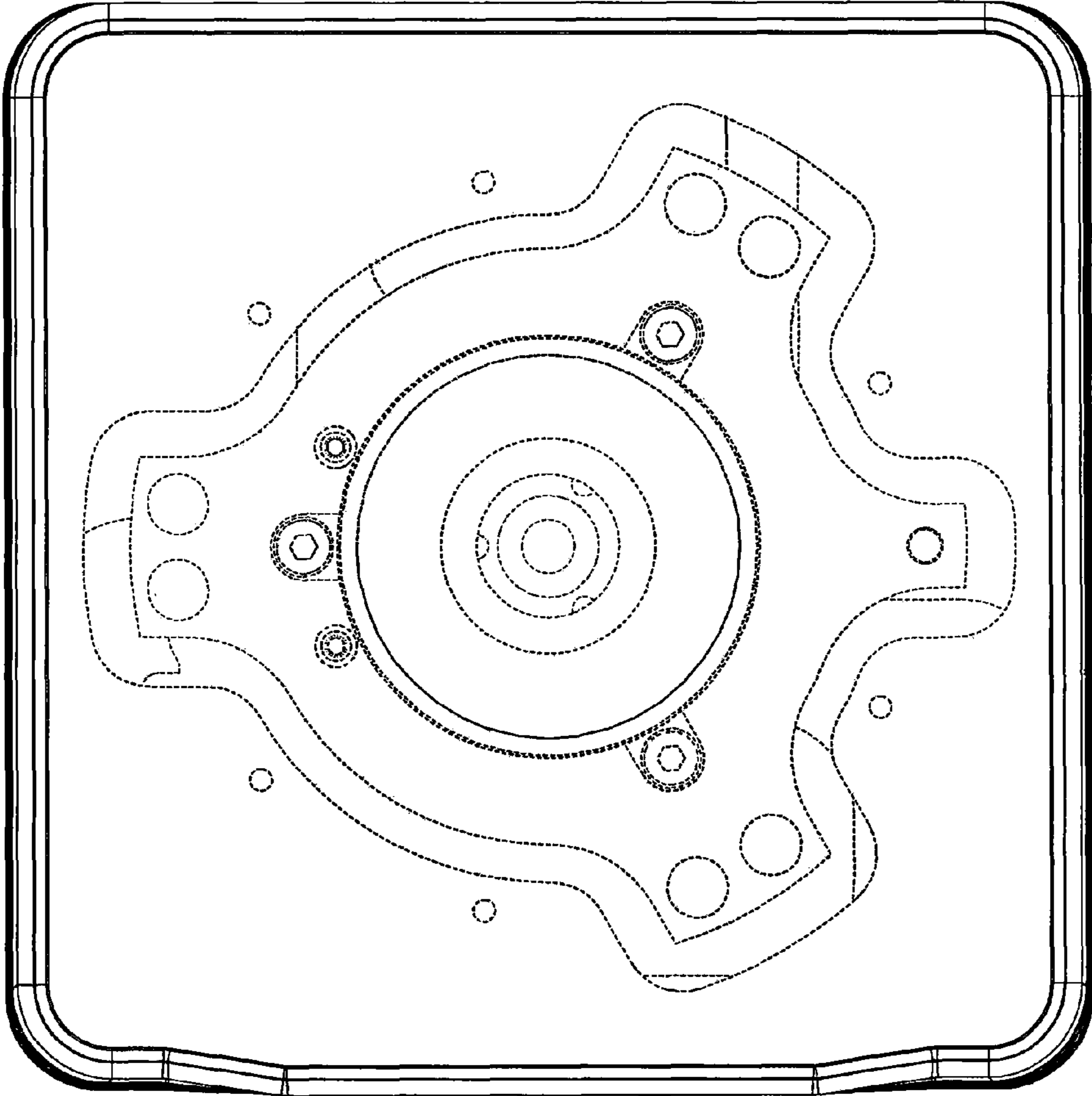


Fig. 6

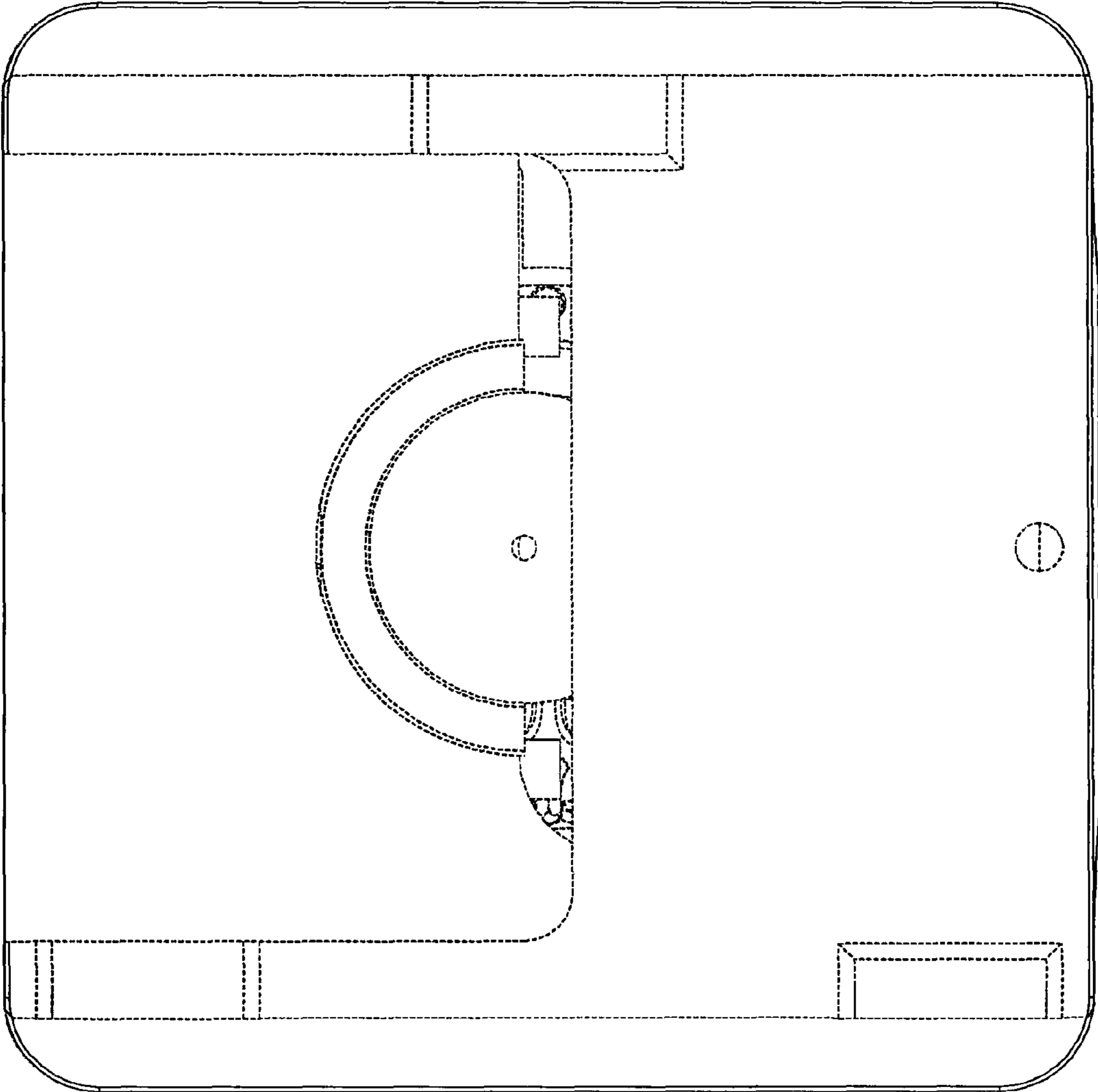


Fig. 7