



US00D685274S

(12) **United States Design Patent**
Laurino et al.

(10) **Patent No.:** **US D685,274 S**
(45) **Date of Patent:** **** Jul. 2, 2013**

(54) **PORTABLE WIRELESS ANEMOMETER**

Primary Examiner — Antoine D Davis

(75) Inventors: **Ferdinand Laurino**, Seattle, WA (US);
Matthew Marzynski, Seattle, WA (US)

(74) *Attorney, Agent, or Firm* — Perkins Coie LLP

(73) Assignee: **Fluke Corporation**, Everett, WA (US)

(57) **CLAIM**

(**) Term: **14 Years**

The ornamental design for a portable wireless anemometer, as shown.

(21) Appl. No.: **29/405,682**

(22) Filed: **Nov. 4, 2011**

(51) **LOC (9) Cl.** **10-04**

(52) **U.S. Cl.**

USPC **D10/59**

(58) **Field of Classification Search**

USPC D10/59; 73/170.01, 170.07, 170.12,
73/861.85; 209/44, 55; 415/4.2; 416/197 A,
416/212 A

See application file for complete search history.

DESCRIPTION

FIG. 1 is a front plan view of a portable wireless anemometer.
FIG. 2 is a back plan view thereof.
FIG. 3 is a left side view thereof.
FIG. 4 is a right side view thereof.
FIG. 5 is a first perspective view thereof.
FIG. 6 is a second perspective view thereof.
FIG. 7 is a third perspective view thereof.
FIG. 8 is a fourth perspective view thereof.
FIG. 9 is a partially exploded view thereof.
FIG. 10 is a first detail view thereof; and,
FIG. 11 is a second detail view thereof.
The broken lines form no part of the claimed design.

(56) **References Cited**

U.S. PATENT DOCUMENTS

D352,909 S * 11/1994 Newman D10/78
6,257,074 B1 * 7/2001 Kellerman 73/861.94
D461,421 S * 8/2002 Kellerman et al. D10/59
D478,516 S * 8/2003 Larsson et al. D10/59

* cited by examiner

1 Claim, 8 Drawing Sheets

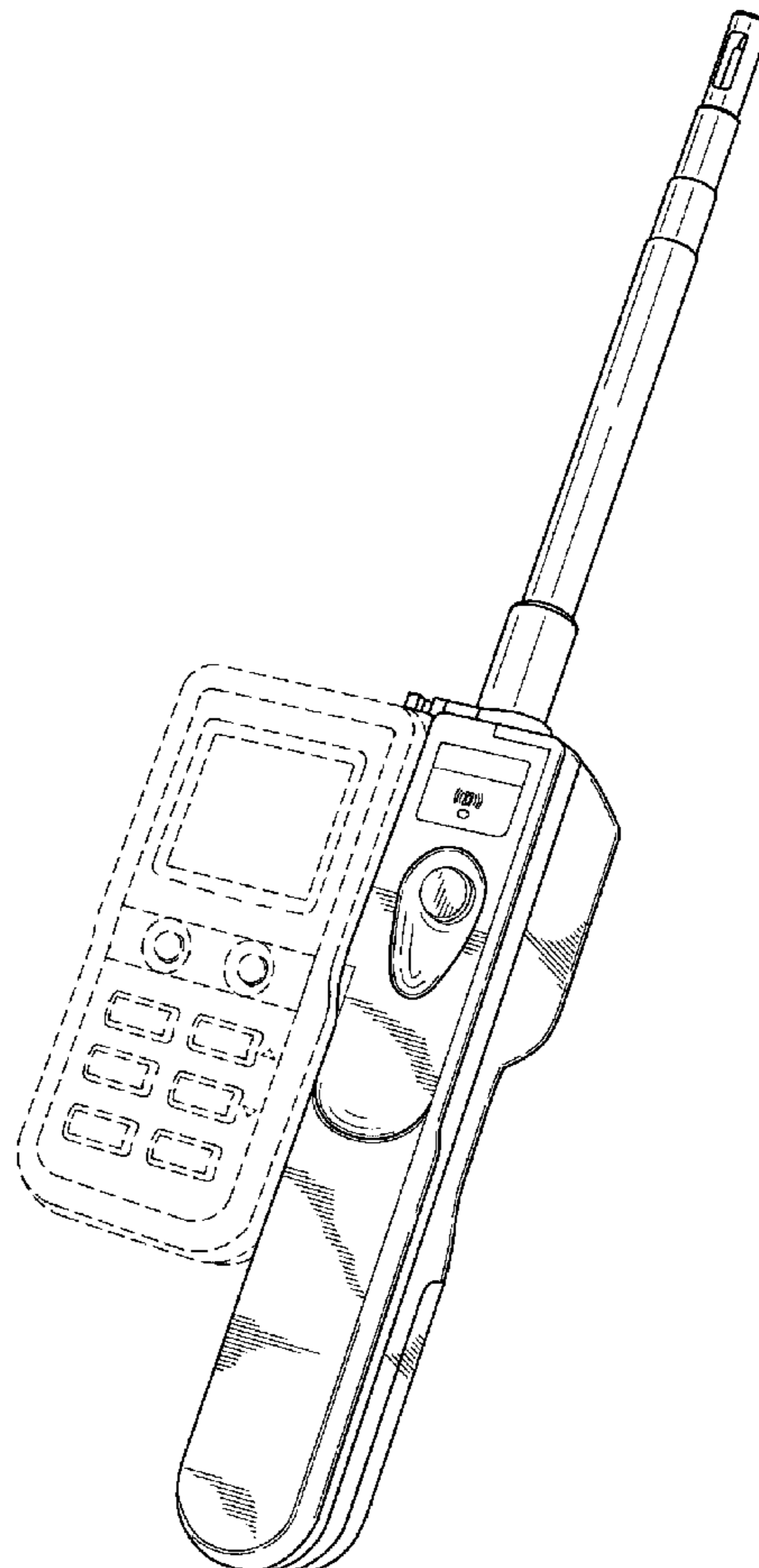
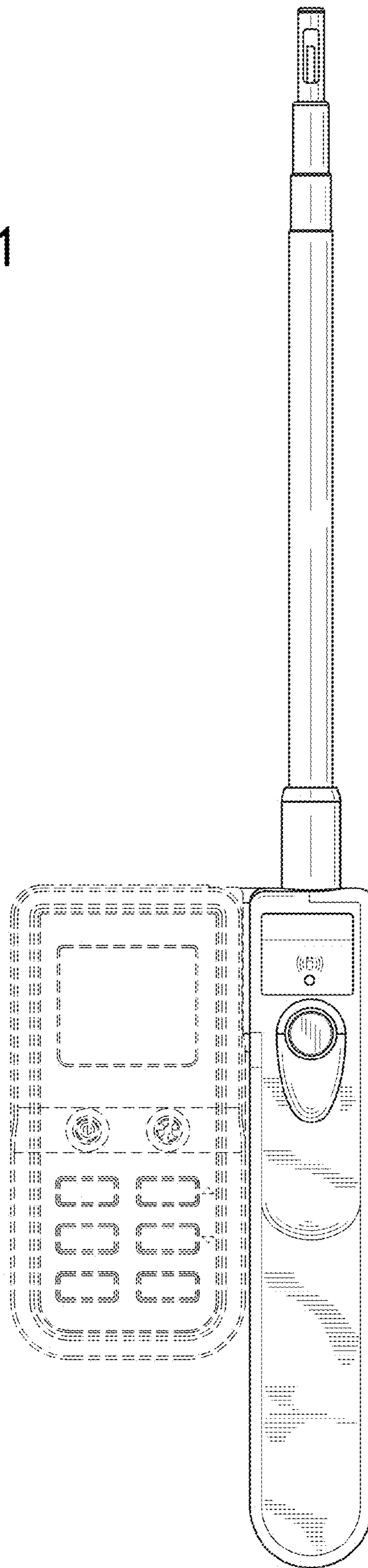


FIG. 1



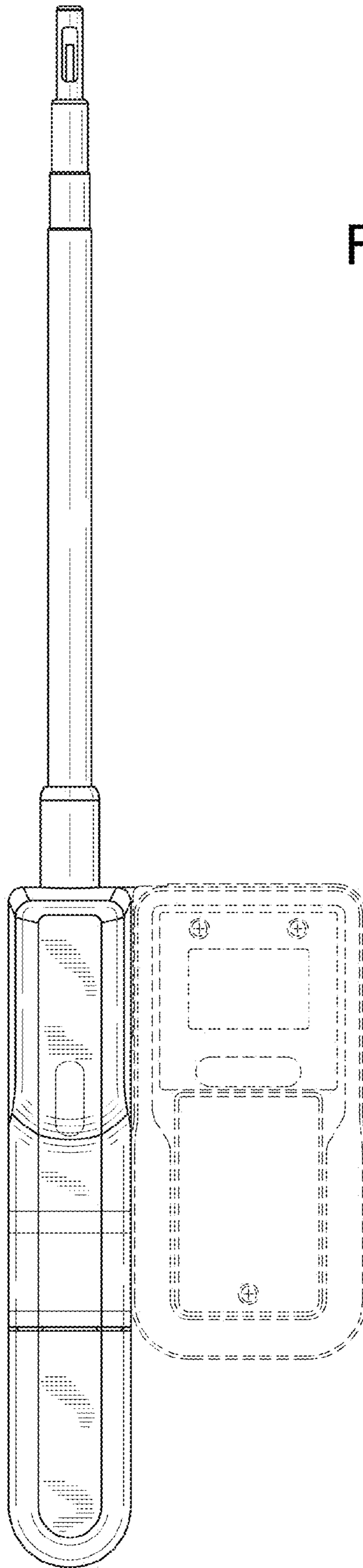


FIG. 2

FIG. 3

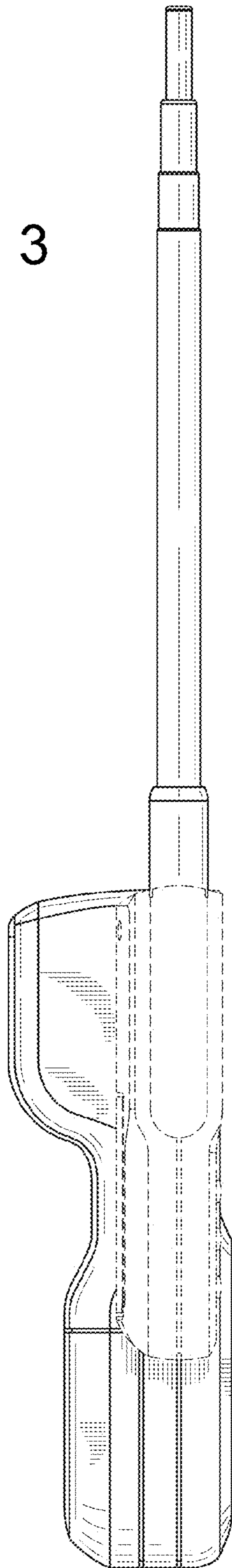


FIG. 4

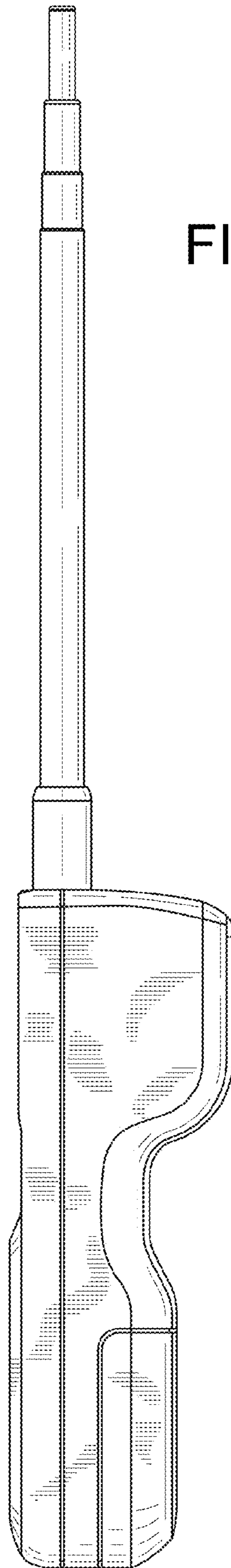


FIG. 5

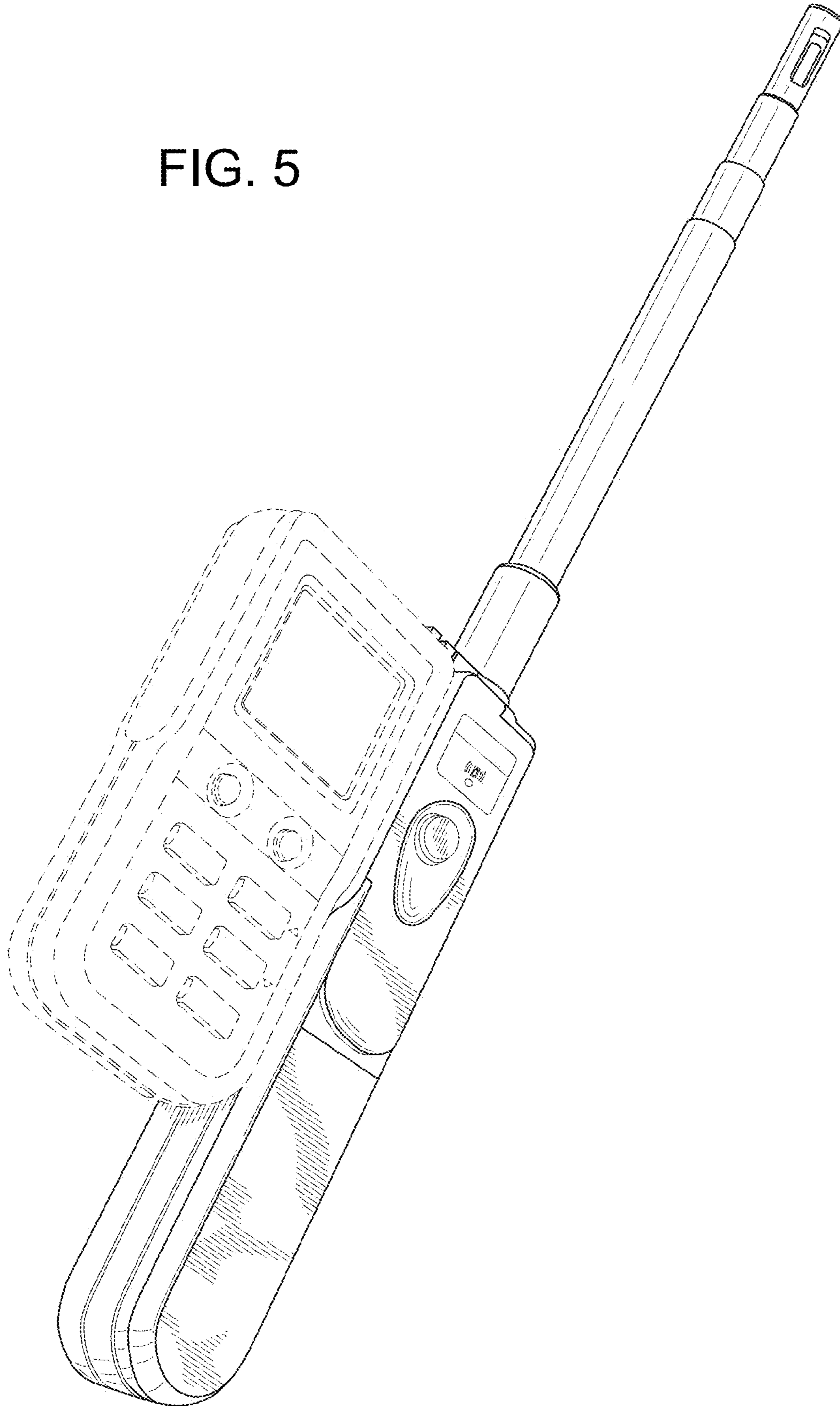


FIG. 6

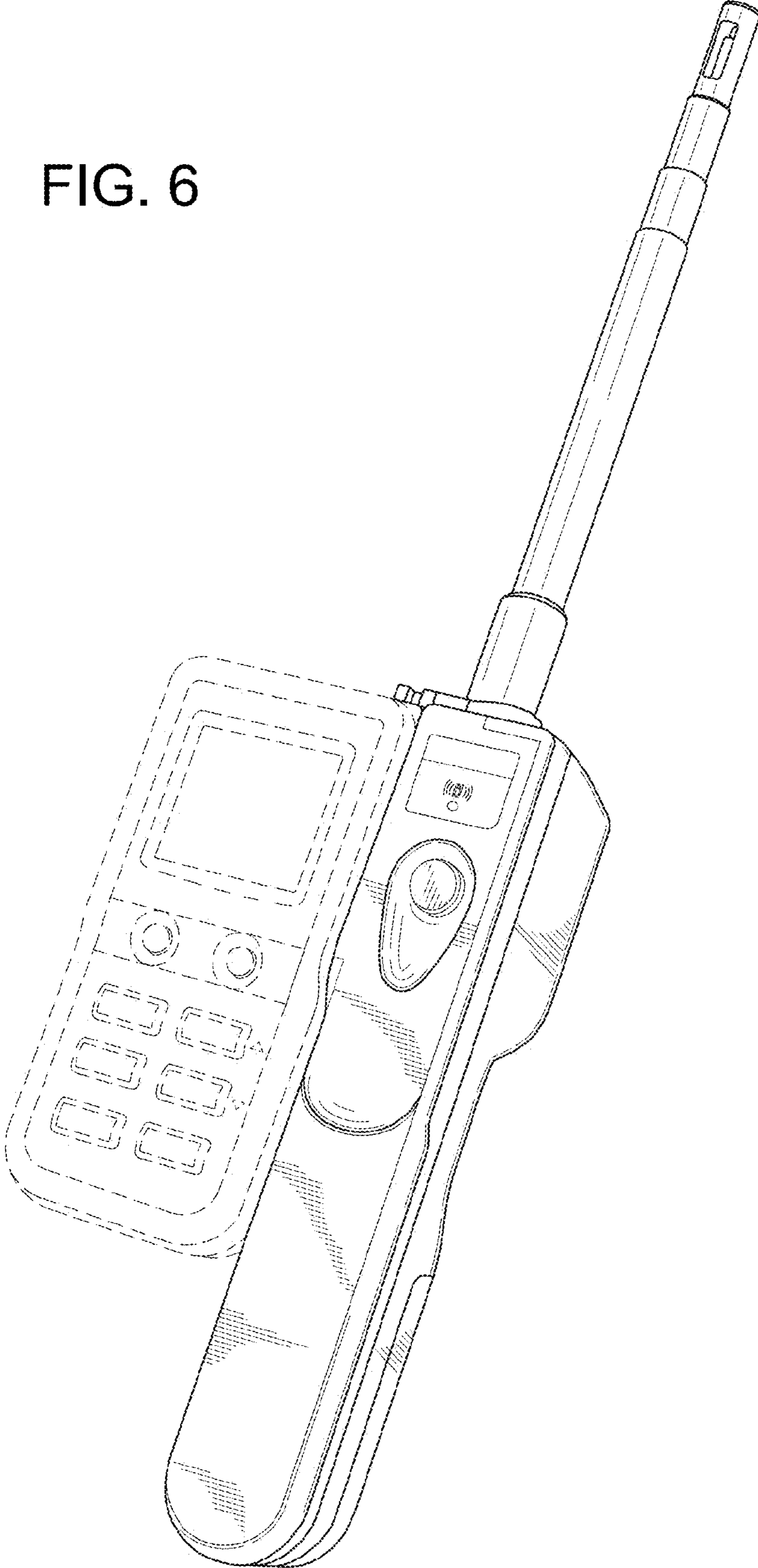
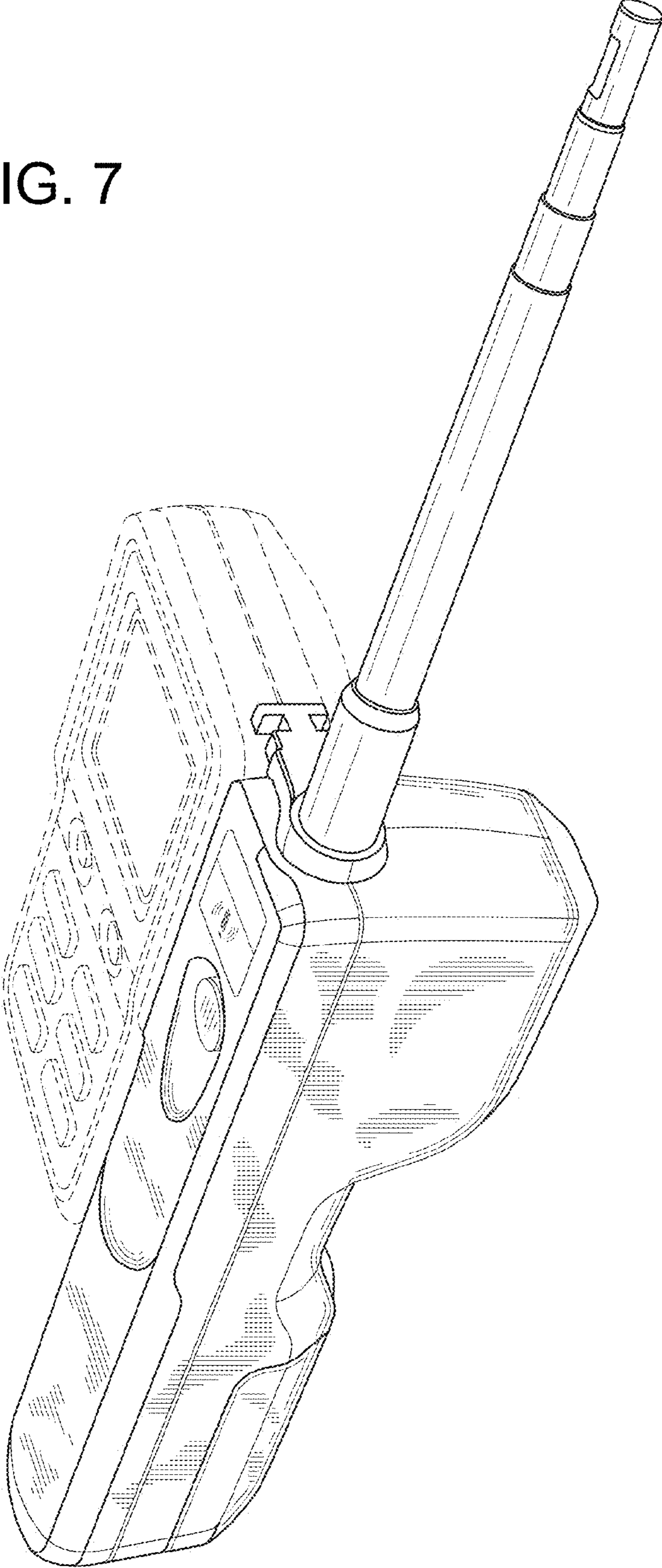


FIG. 7



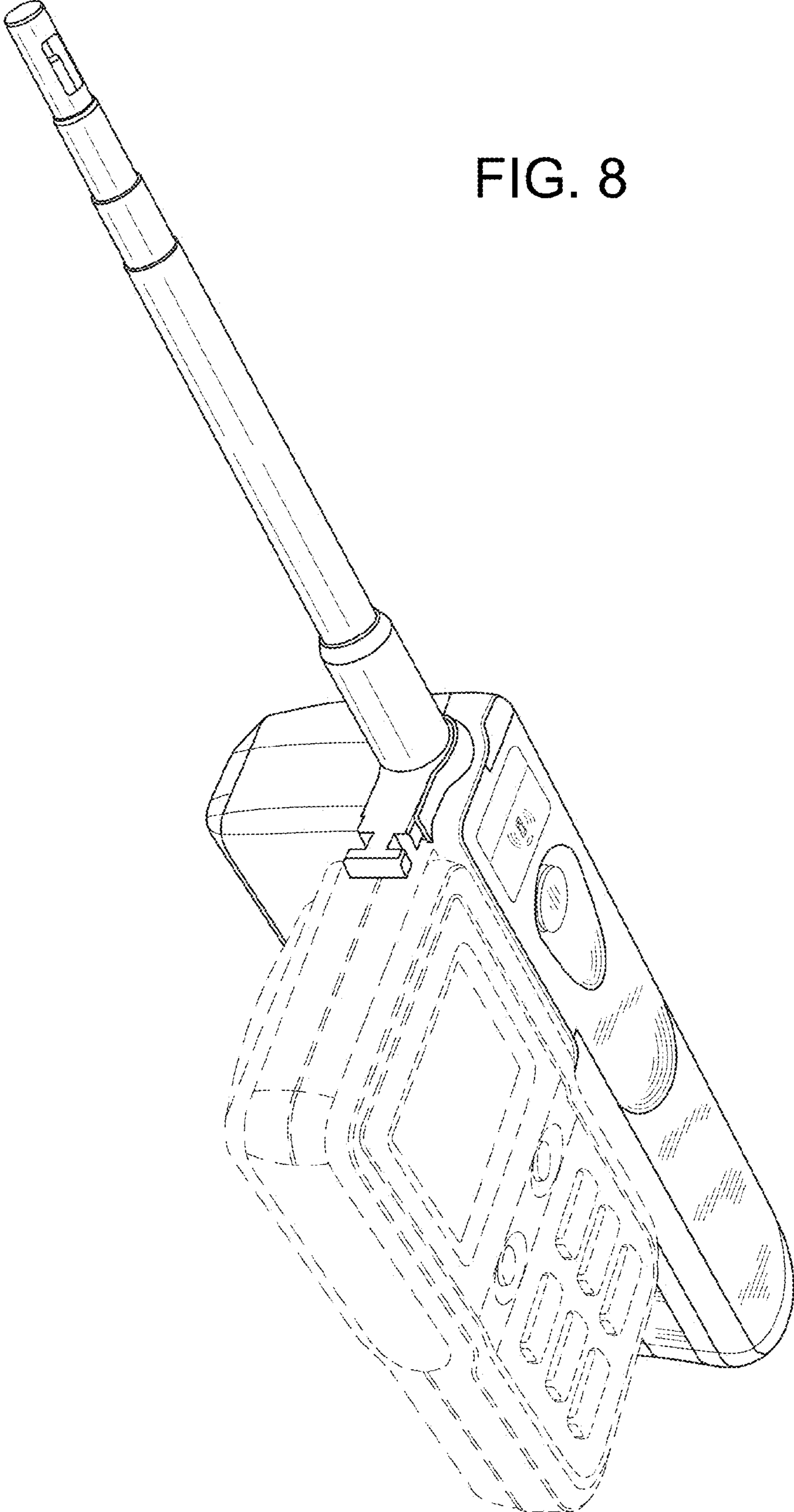


FIG. 8

FIG. 9

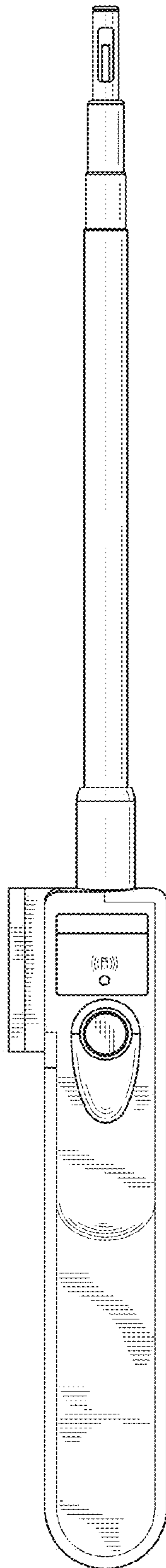


FIG. 10



FIG. 11

