



US00D685273S

(12) **United States Design Patent**  
**Bodmer et al.**

(10) **Patent No.:** **US D685,273 S**  
(45) **Date of Patent:** **\*\* Jul. 2, 2013**

- (54) **EGG CARTON**
- (75) Inventors: **Udo Bodmer**, Hausach (DE); **Christoph Moller**, Lucerne (CH); **Lukas Vonarburg**, Lucerne (CH)
- (73) Assignee: **Udo.Bodmer For SolutionB**, Hausach (DE)
- (\*\*) Term: **14 Years**
- (21) Appl. No.: **29/387,571**
- (22) Filed: **Mar. 15, 2011**
- (30) **Foreign Application Priority Data**  
  - Sep. 15, 2010 (WO) ..... DM/074 845
- (51) **LOC (9) Cl.** ..... **09-03**
- (52) **U.S. Cl.**  
USPC ..... **D9/757; D9/762**
- (58) **Field of Classification Search**  
USPC ..... D9/762, 757, 737, 761, 420, 425, D9/426, 456; D7/611; 206/521, 521.1, 521.3, 206/521.4, 521.6, 521.8, 521.9, 564; 220/508; 229/406  
See application file for complete search history.

- (56) **References Cited**  
  - U.S. PATENT DOCUMENTS
  - 2,013,606 A \* 9/1935 Hale ..... 206/521.5
  - 2,591,471 A \* 4/1952 Schwertfeger ..... 206/521.1
  - 2,634,039 A \* 4/1953 Schwertfeger ..... 206/521.1
  - 3,191,844 A \* 6/1965 Comstock ..... 206/521.1
  - 3,310,217 A \* 3/1967 Trimble ..... 206/521.5
  - 3,469,763 A \* 9/1969 Voorhis ..... 206/521.1
  - 3,580,480 A \* 5/1971 French ..... 206/521.1
  - D243,507 S \* 3/1977 Petersen ..... D9/757
  - D244,258 S \* 5/1977 Petersen ..... D9/757
  - D244,582 S \* 6/1977 Petersen ..... D9/757
  - D262,355 S \* 12/1981 Oakley ..... D9/757

- D279,649 S \* 7/1985 DeMay ..... D9/715
- D282,147 S \* 1/1986 Mangla ..... D9/757
- D291,533 S \* 8/1987 Mangla ..... D9/757
- D307,387 S \* 4/1990 Payne et al. .... D9/757
- D385,780 S \* 11/1997 Krupa et al. .... D9/757
- D409,483 S \* 5/1999 Herbruck ..... D9/762
- D412,277 S \* 7/1999 Herbruck ..... D9/762
- D412,841 S \* 8/1999 Herbruck ..... D9/762
- D416,482 S \* 11/1999 McCann ..... D9/757
- D418,405 S \* 1/2000 Herbruck ..... D9/762
- D453,901 S \* 2/2002 Shepperson ..... D9/748
- D466,802 S \* 12/2002 Davkovski ..... D9/757
- D469,690 S \* 2/2003 Pau ..... D9/761
- D484,796 S \* 1/2004 Buckley ..... D9/757
- D491,463 S \* 6/2004 Zelina et al. .... D9/757
- D506,932 S \* 7/2005 Ramirez ..... D9/737
- D514,954 S \* 2/2006 Kim ..... D9/757
- D520,377 S \* 5/2006 Beese et al. .... D9/762
- D587,109 S \* 2/2009 Lyon et al. .... D9/761
- D592,076 S \* 5/2009 Sipe et al. .... D9/756

(Continued)

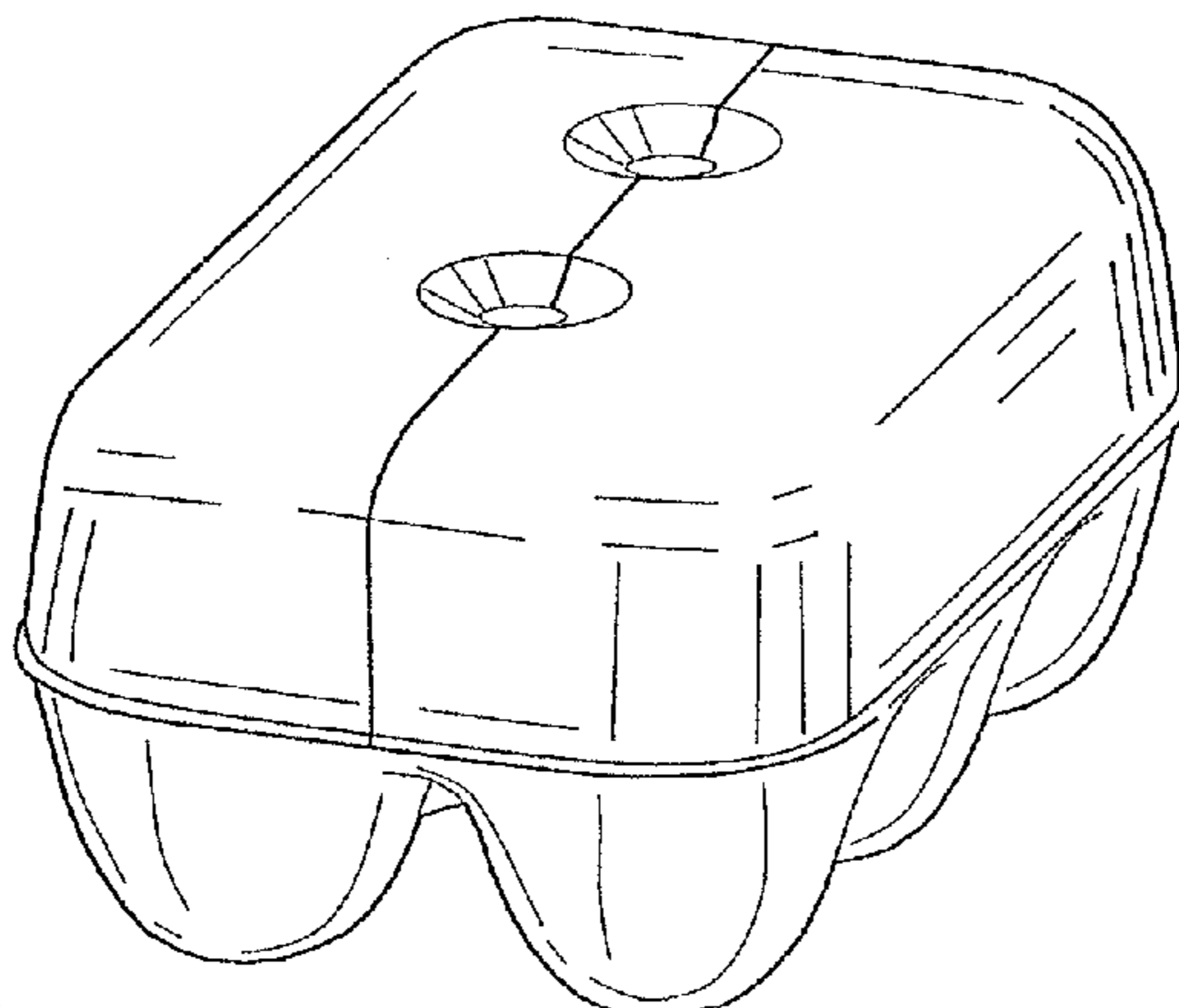
*Primary Examiner* — Mark Goodwin  
(74) *Attorney, Agent, or Firm* — Ladas & Parry LLP

(57) **CLAIM**  
The ornamental design for an egg carton, as shown and described.

**DESCRIPTION**

FIG. 1 is a top, front, right side perspective view of an egg carton showing our new design;  
FIG. 2 is a right side elevational view thereof, the left side elevational view being a mirror image thereof;  
FIG. 3 is a front elevational view thereof, the rear elevational view being a mirror image thereof;  
FIG. 4 is a top plan view thereof;  
FIG. 5 is a bottom perspective view thereof;  
FIG. 6 is a top, front, right side perspective view thereof shown in open position; and,  
FIG. 7 is top plan view thereof shown in open position.

**1 Claim, 7 Drawing Sheets**



# US D685,273 S

Page 2

---

## U.S. PATENT DOCUMENTS

D592,077 S *	5/2009	Sipe et al. ....	D9/756	7,686,181 B2 *	3/2010	St-Onge .....	220/508
D606,421 S *	12/2009	Krummenacher .....	D9/757	D626,014 S *	10/2010	Fosse et al. ....	D9/757

\* cited by examiner

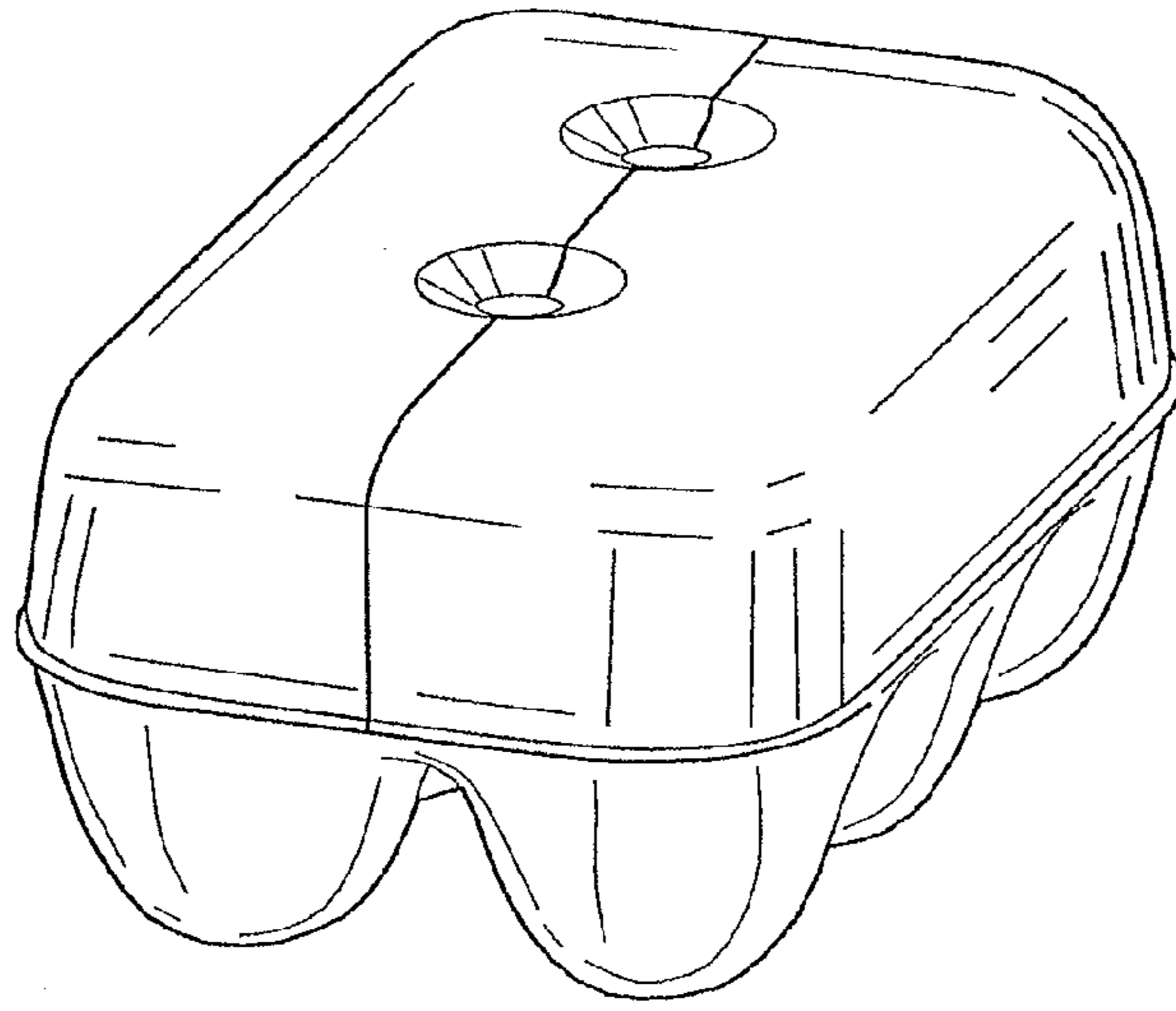


FIG. 1

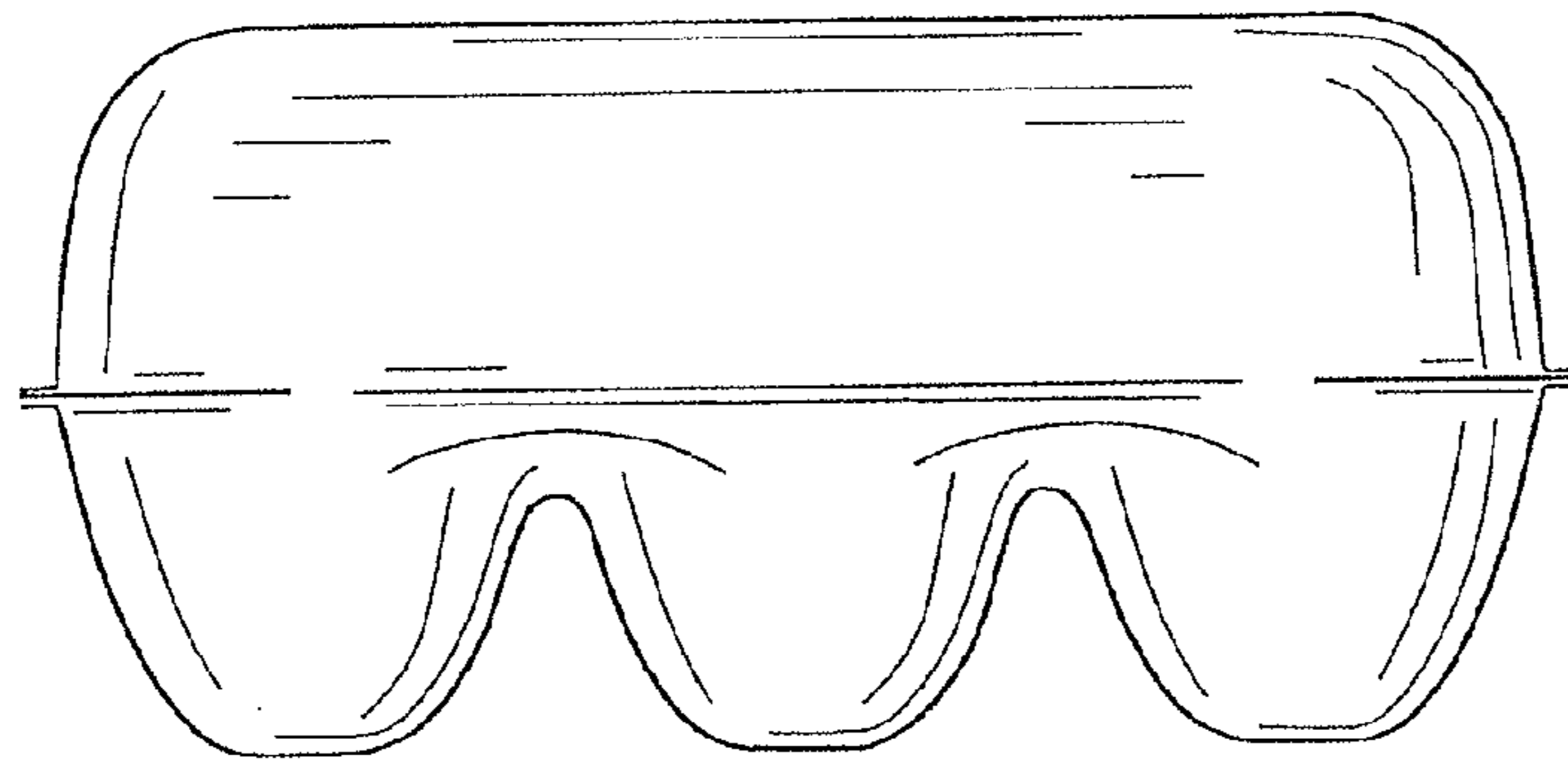


FIG. 2

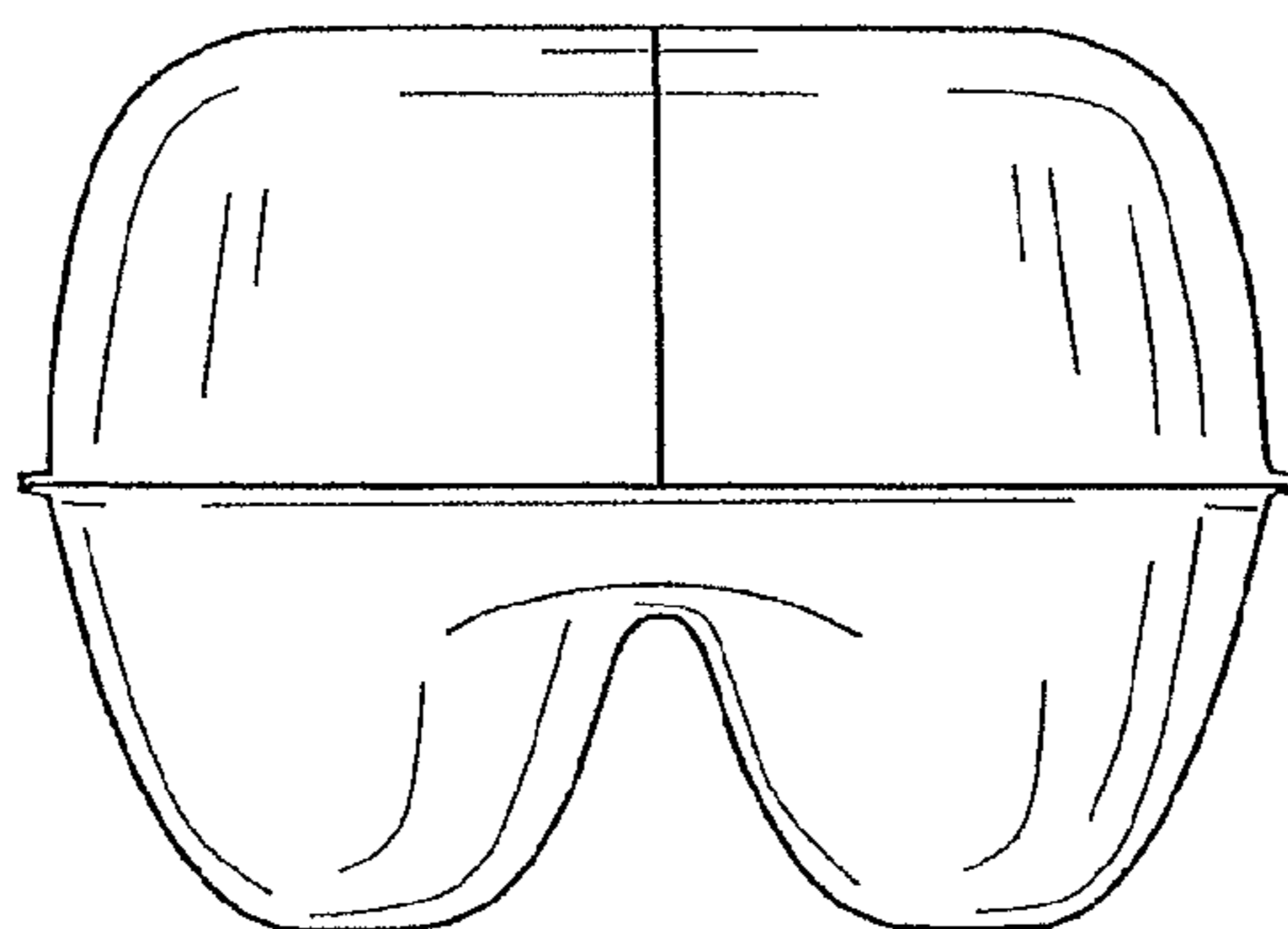


FIG. 3

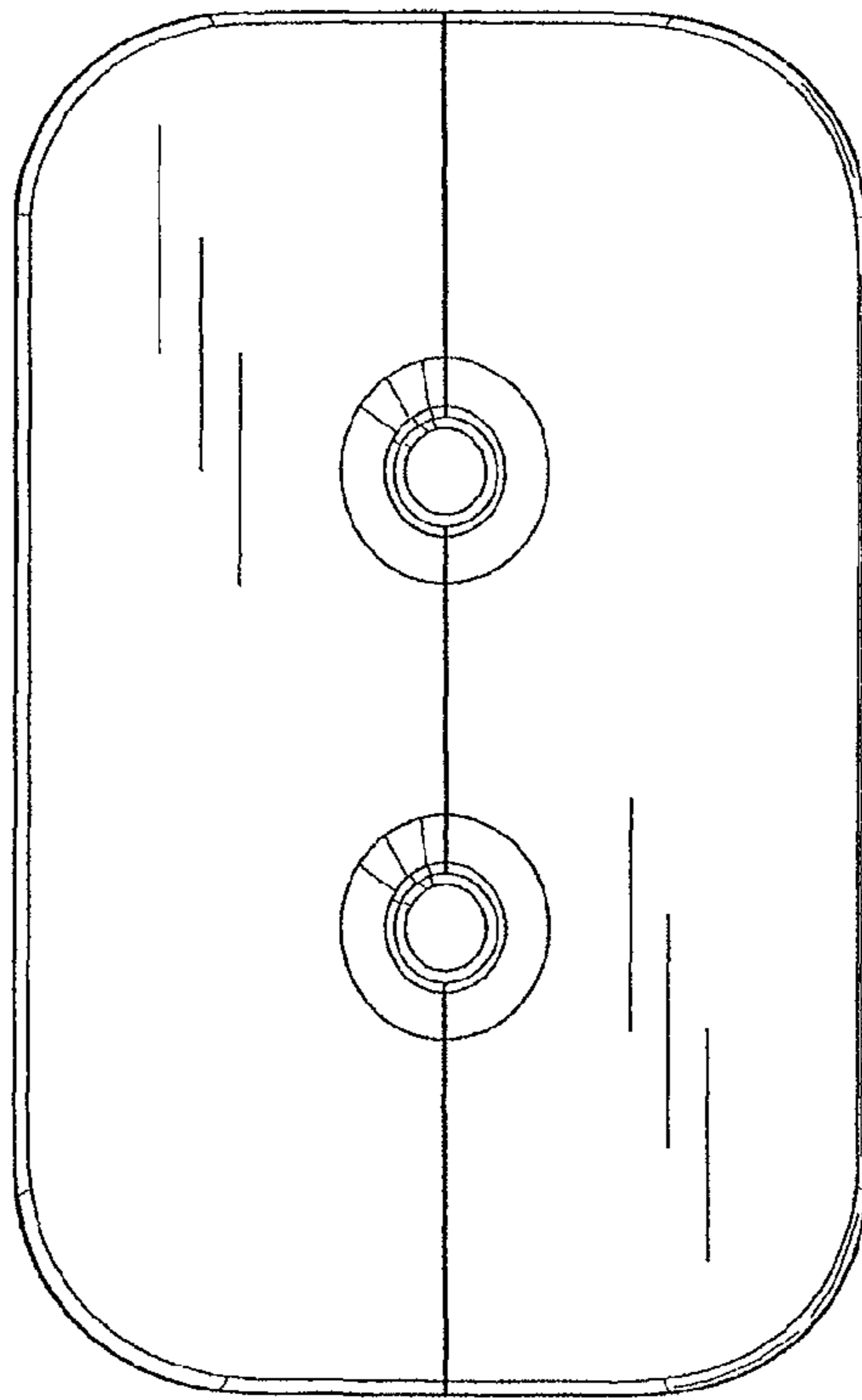


FIG. 4

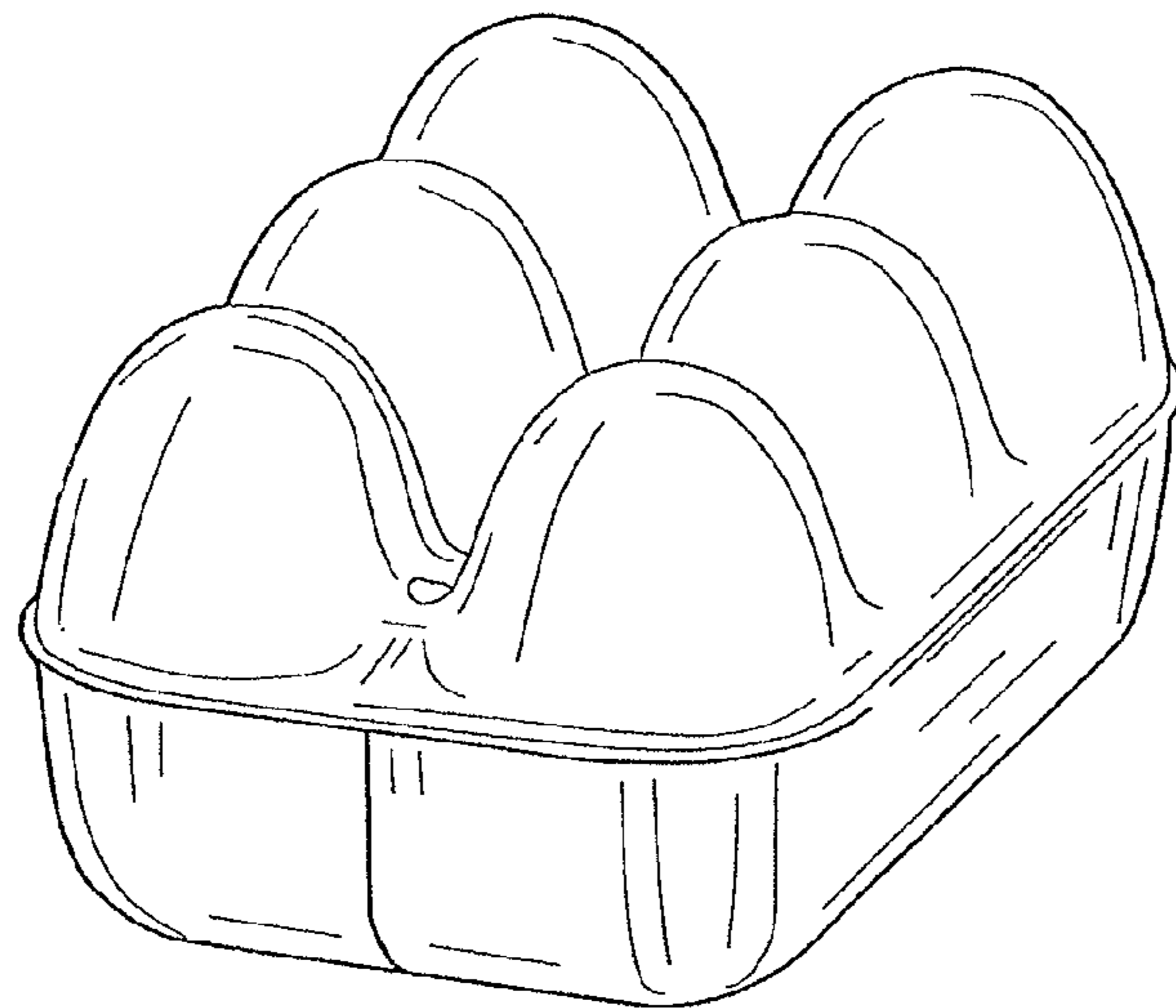


FIG. 5

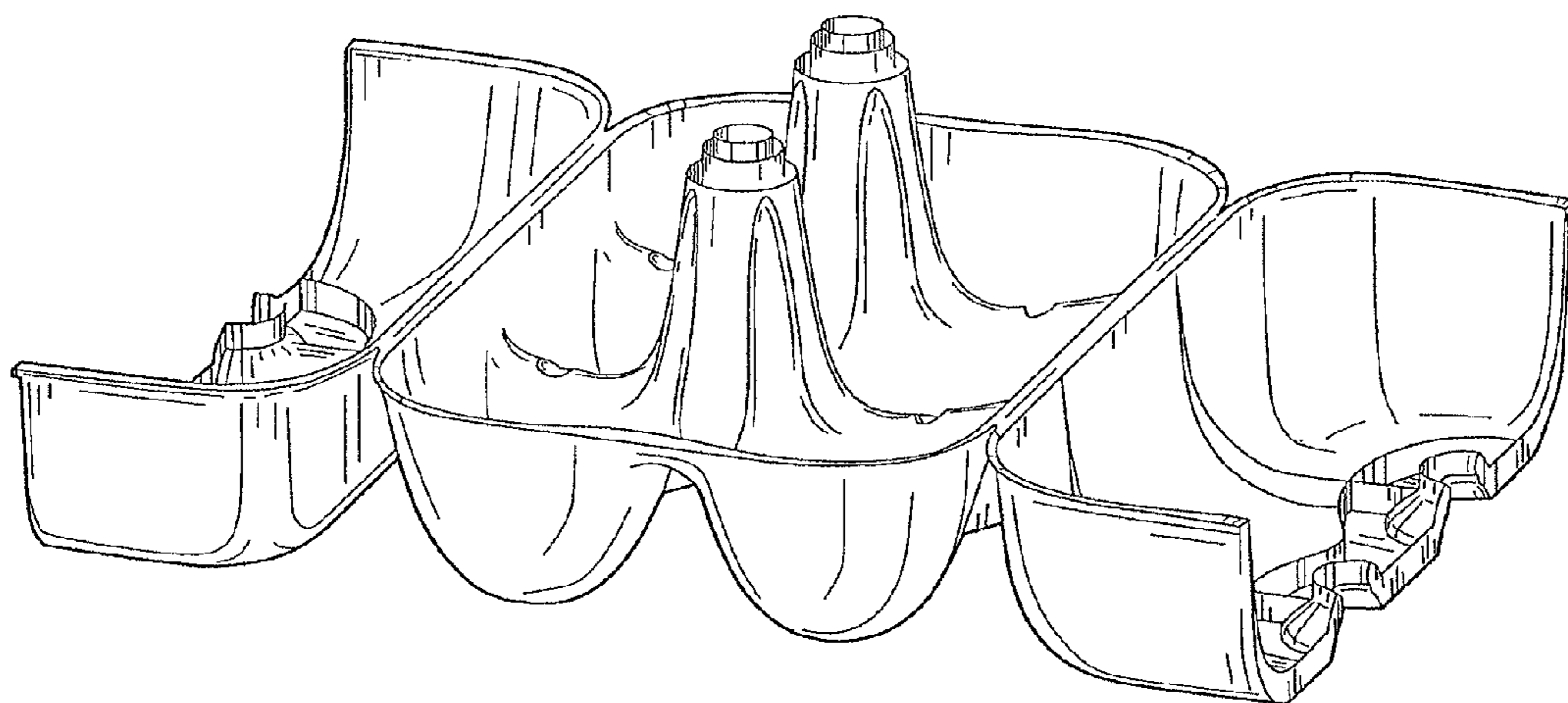


FIG. 6



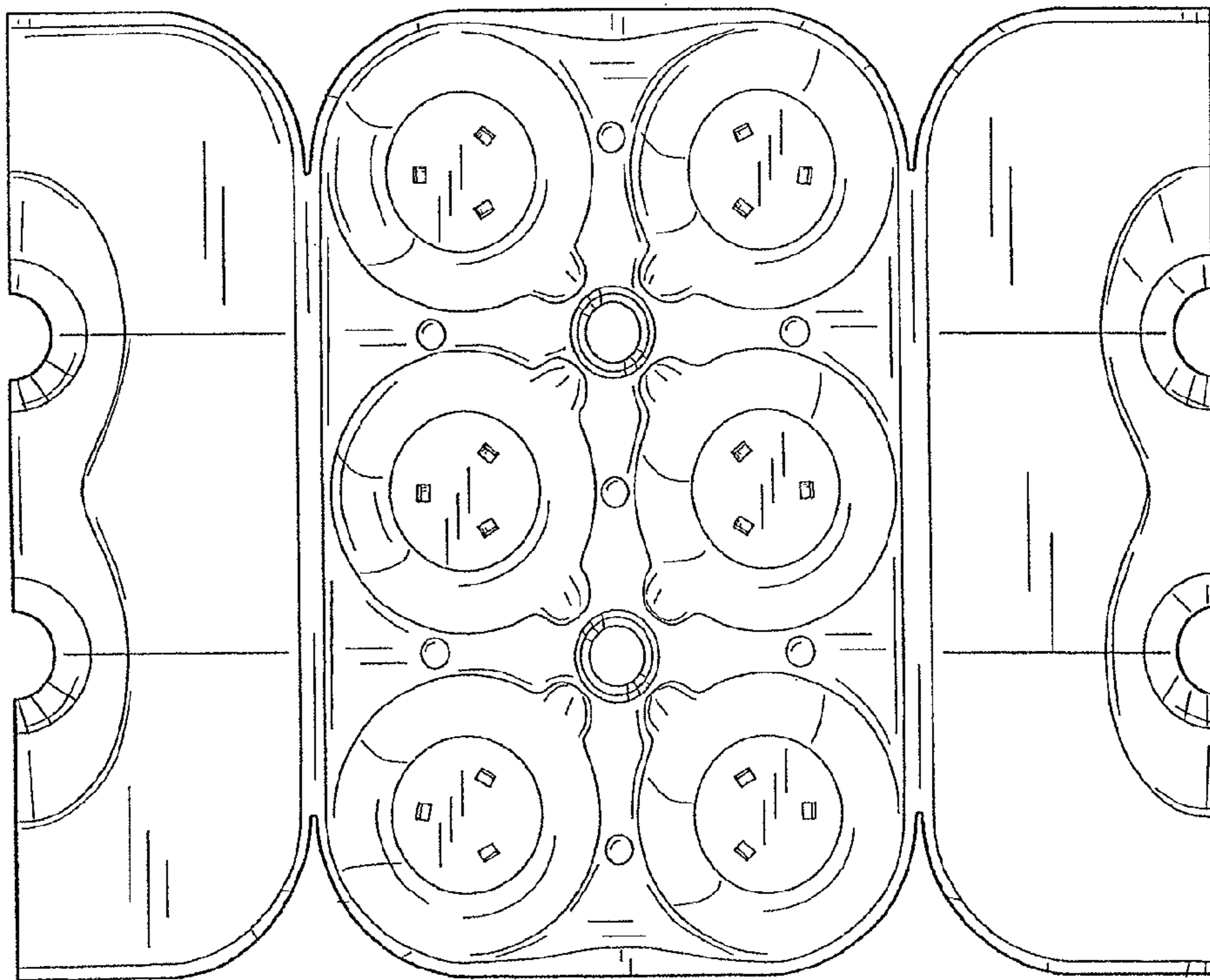


FIG. 7