



US00D685268S

(12) **United States Design Patent**  
**Gill et al.**

(10) **Patent No.:** **US D685,268 S**

(45) **Date of Patent:** **\*\* Jul. 2, 2013**

(54) **SPRAY DEVICE**

(75) Inventors: **Carolina Gill**, Dublin, OH (US); **Blaine Lilly**, Columbus, OH (US); **Thornton K. Lothrop**, Worthington, OH (US); **Scott Shim**, Dublin, OH (US); **Lara B. McKenzie**, Bexley, OH (US); **Kristin J. Roberts**, Columbus, OH (US); **Nicolas G. Nelson**, Columbus, OH (US)

(73) Assignees: **Nationwide Children's Hospital, Inc.**, Columbus, OH (US); **The Ohio State University**, Columbus, OH (US)

(\*\*) Term: **14 Years**

(21) Appl. No.: **29/407,025**

(22) Filed: **Nov. 22, 2011**

(51) **LOC (9) Cl.** ..... **09-07**

(52) **U.S. Cl.**  
USPC ..... **D9/448**

(58) **Field of Classification Search**  
USPC ..... D9/434, 435, 448, 682, 685, 686; D8/51;  
D23/213, 226; 417/411; 239/120, 215, 333,  
239/337, 343, 428.5; 222/323.1, 383.1, 383.3,  
222/402.11; D7/213, 387, 605

See application file for complete search history.

(56) **References Cited**

U.S. PATENT DOCUMENTS

D596,938 S \* 7/2009 Broadbent ..... D9/448  
D625,188 S \* 10/2010 Rech ..... D9/448  
D649,459 S \* 11/2011 Castillo Higareda et al. . D9/448

\* cited by examiner

*Primary Examiner* — Susan Bennett Hattan

(74) *Attorney, Agent, or Firm* — Jason H. Foster; Kremblas & Foster

(57) **CLAIM**

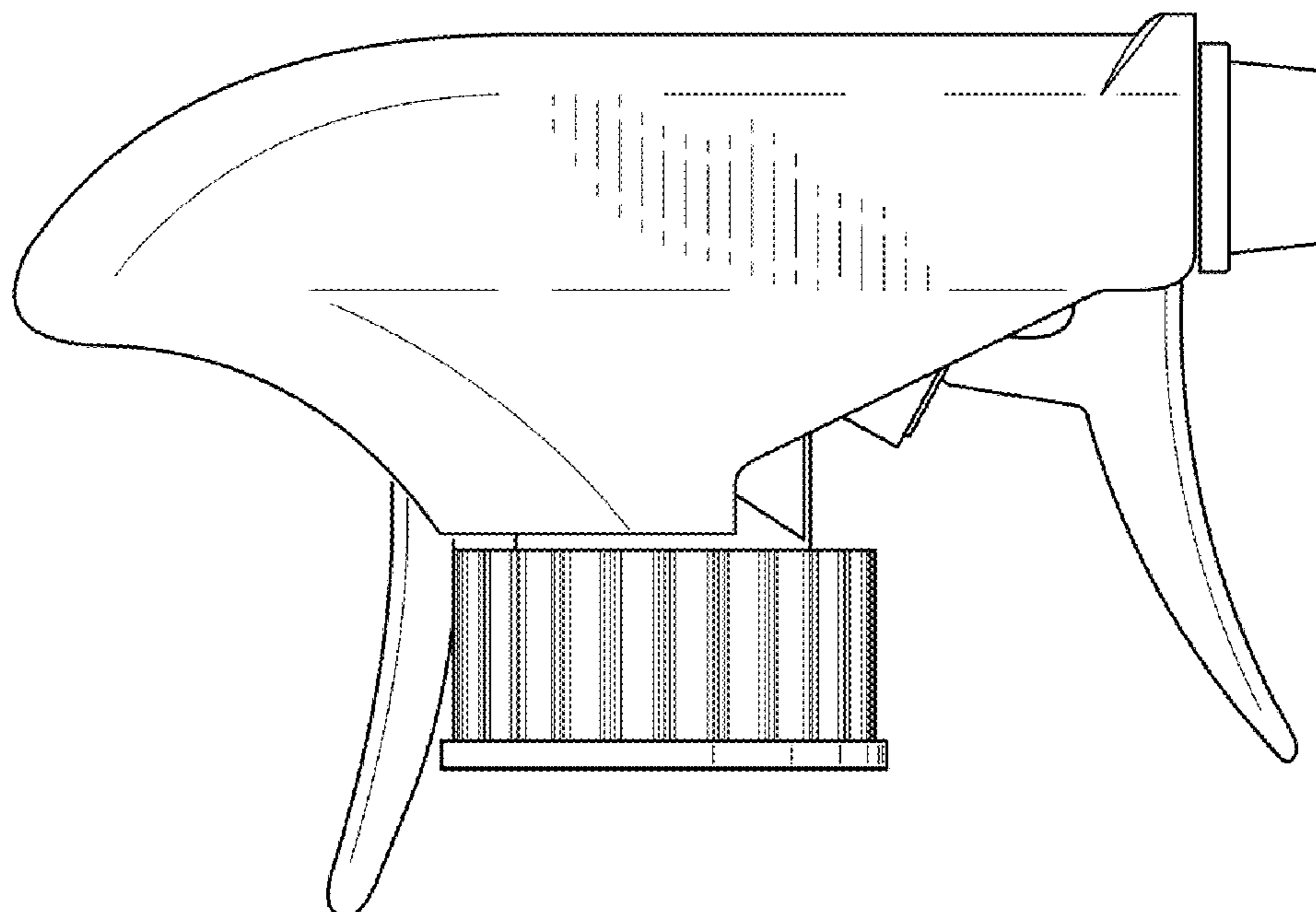
The ornamental design for a spray device, as shown and described.

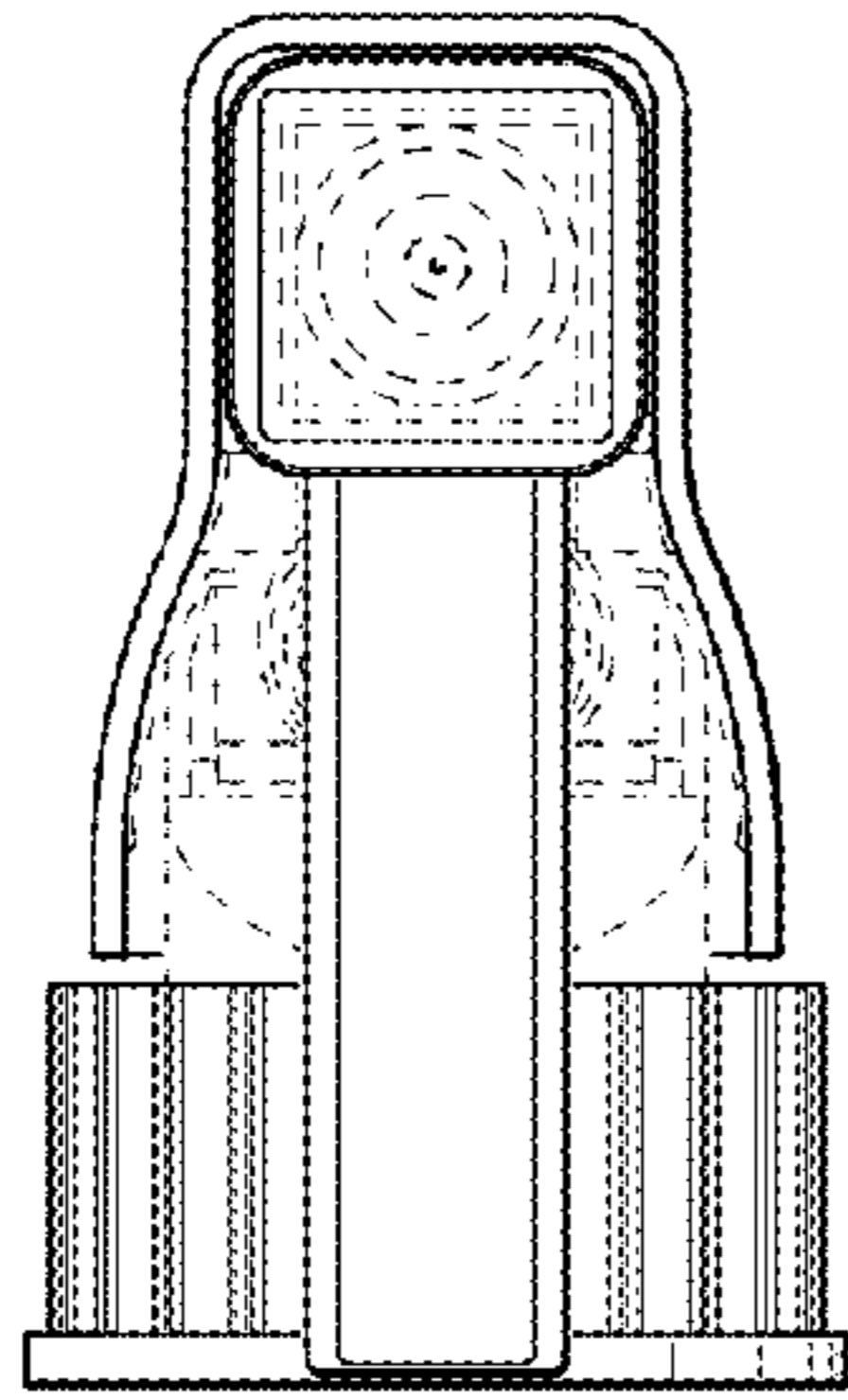
**DESCRIPTION**

FIG. 1 is a front view of a spray device showing my new design;  
FIG. 2 is a rear view thereof;  
FIG. 3 is a left view thereof (the right view thereof is a mirror image and is therefore omitted);  
FIG. 4 is a right view of the spray device showing the lever in the depressed position;  
FIG. 5 is a bottom view of the spray device of FIG. 1;  
FIG. 6 is a top view thereof;  
FIG. 7 is a bottom view in perspective thereof;  
FIG. 8 is a bottom view in perspective of the spray device showing the lever in the depressed position; and,  
FIG. 9 is a top rear perspective view of the spray device of FIG. 1.

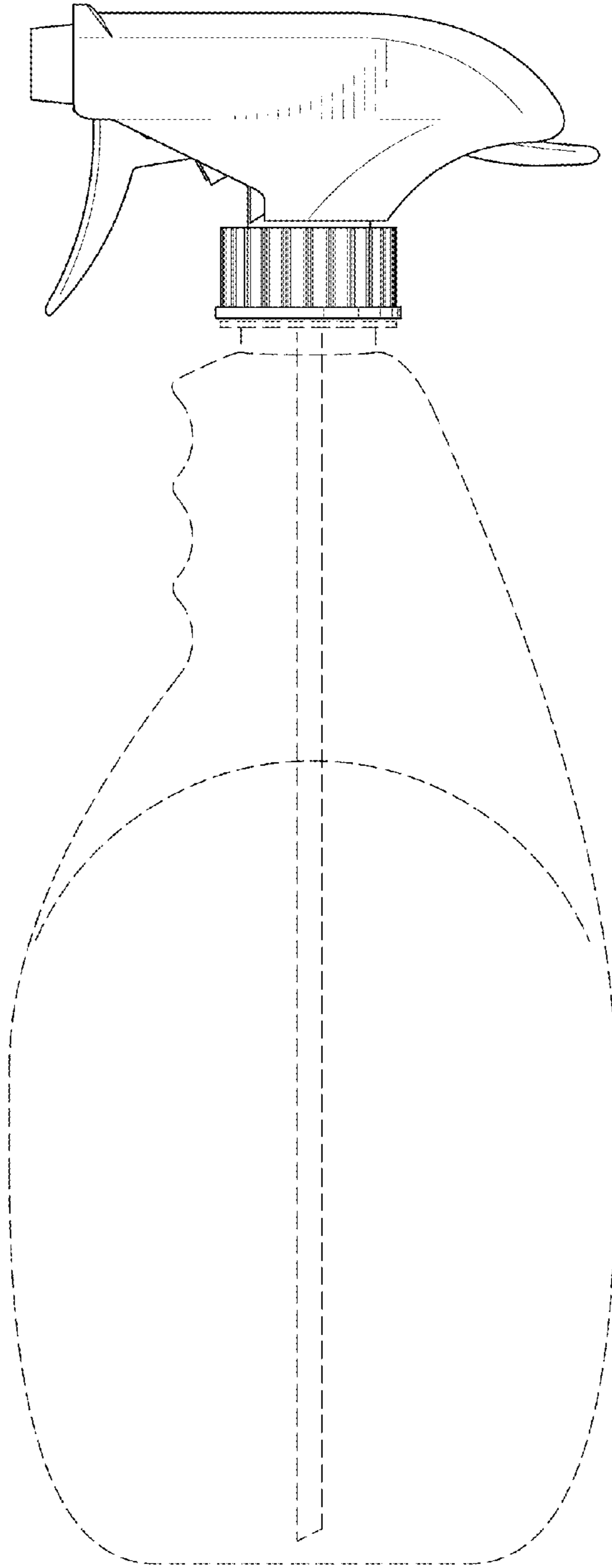
The broken lines in the drawing depict environmental subject matter only and form no part of the claimed design.

**1 Claim, 3 Drawing Sheets**

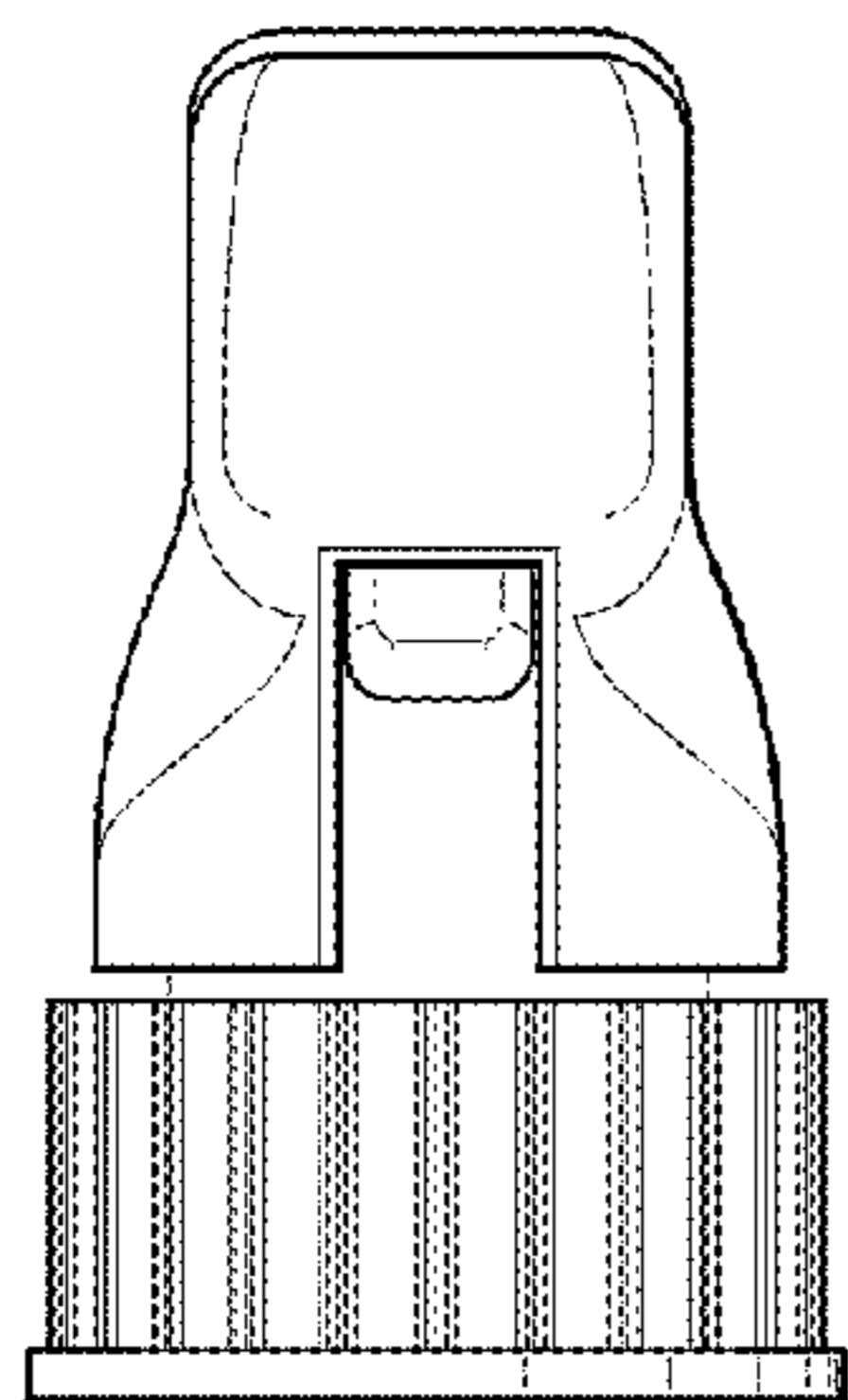




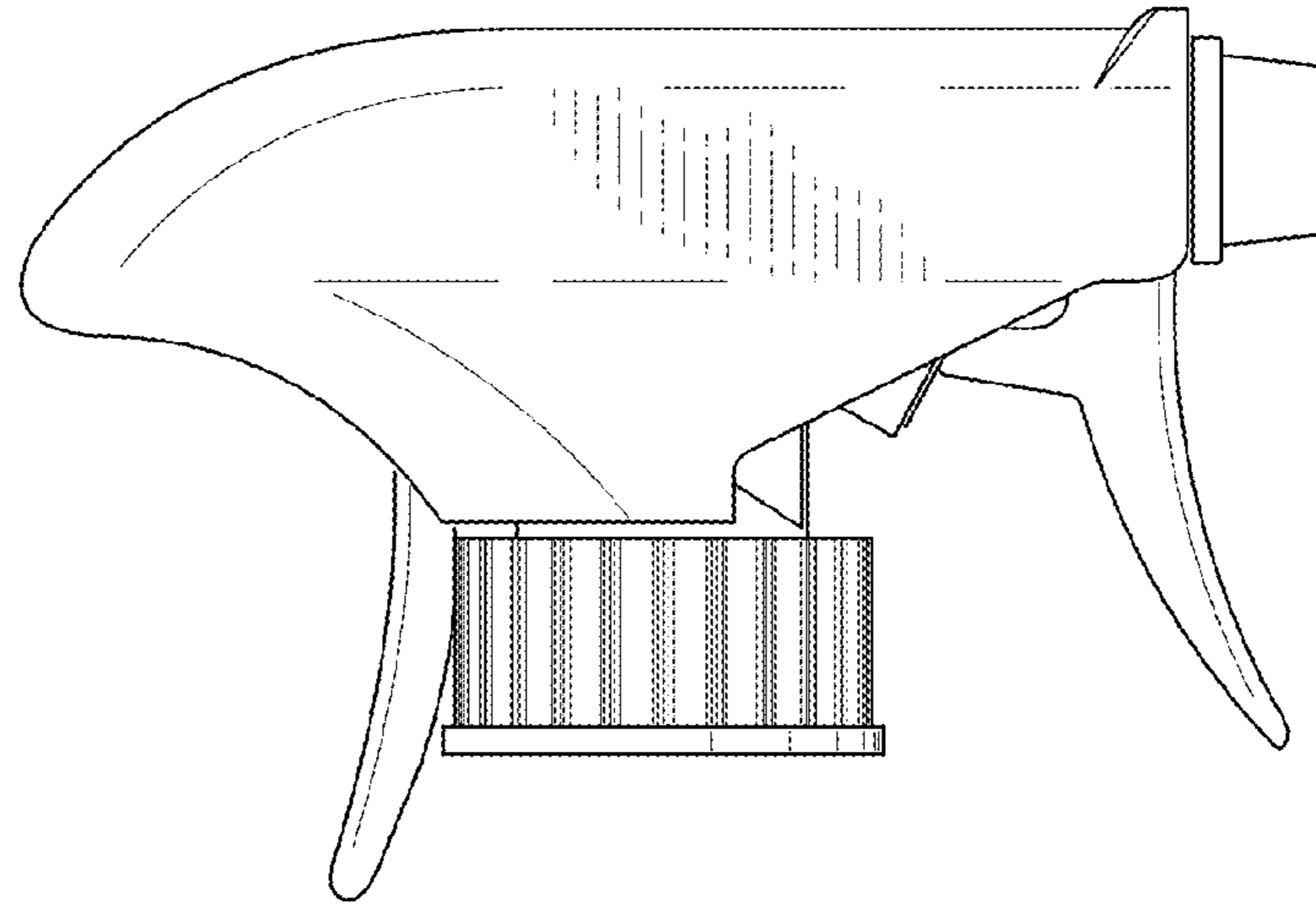
**FIG-1**



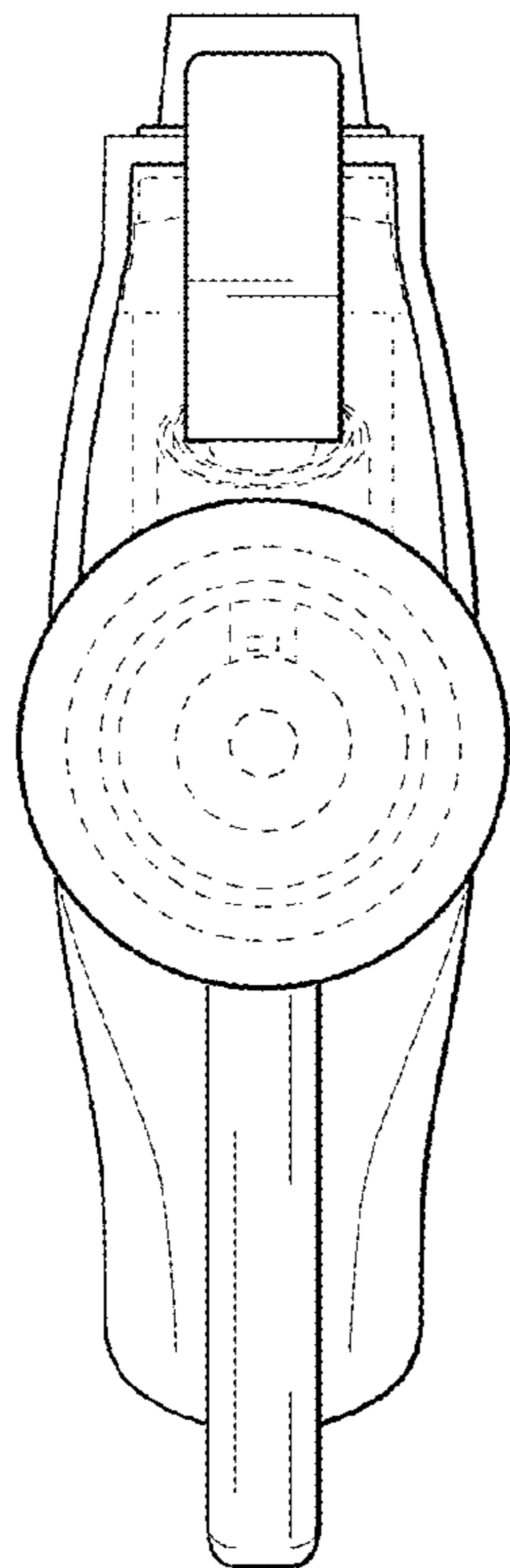
**FIG-3**



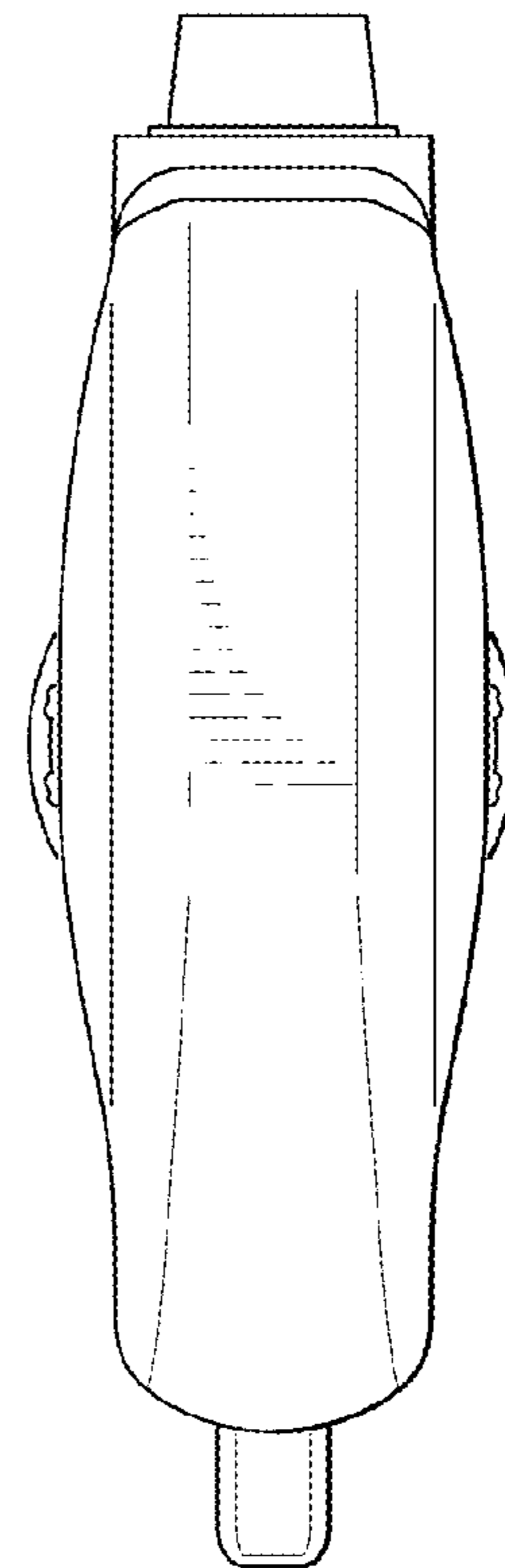
**FIG-2**



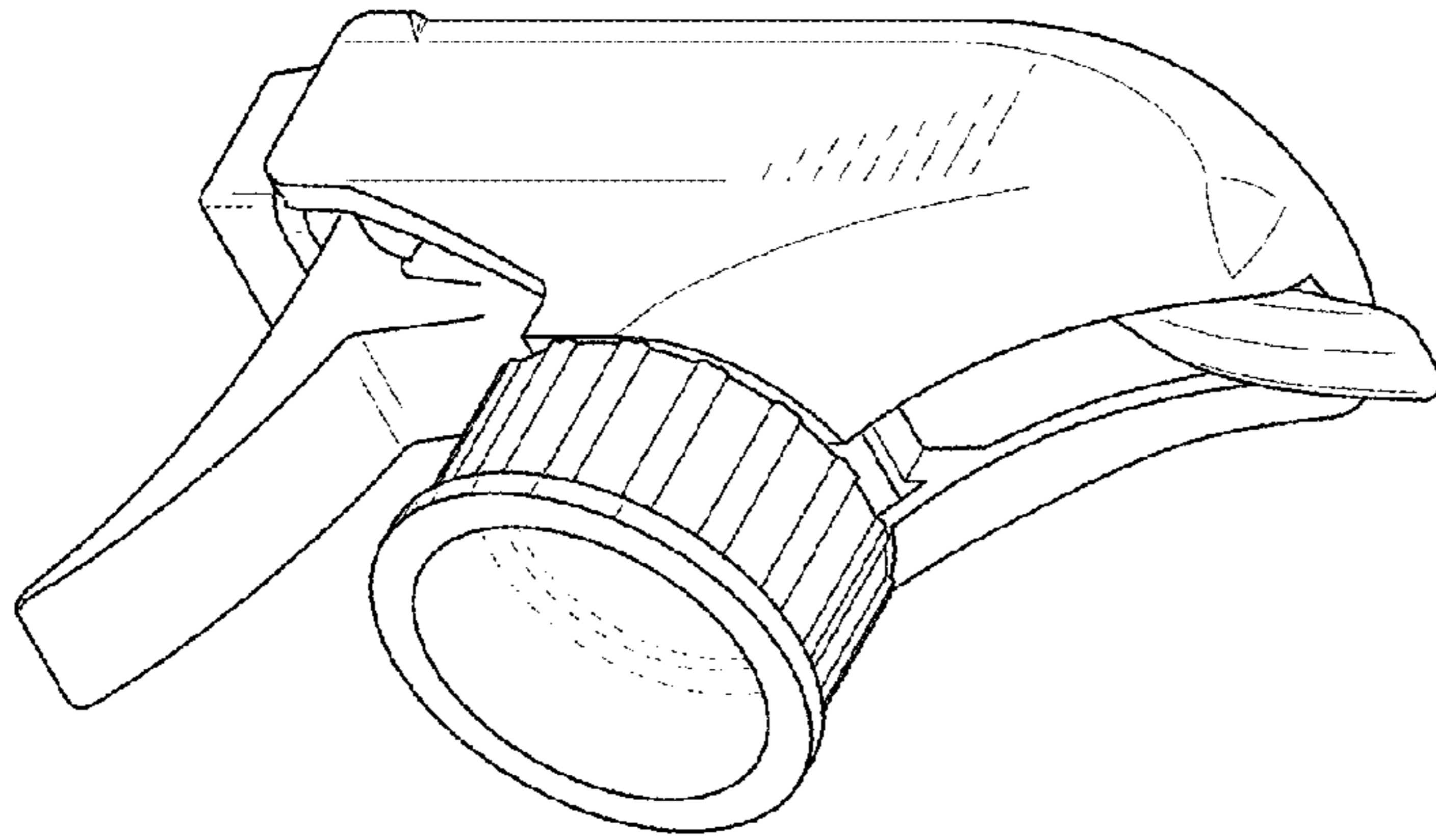
**FIG-4**



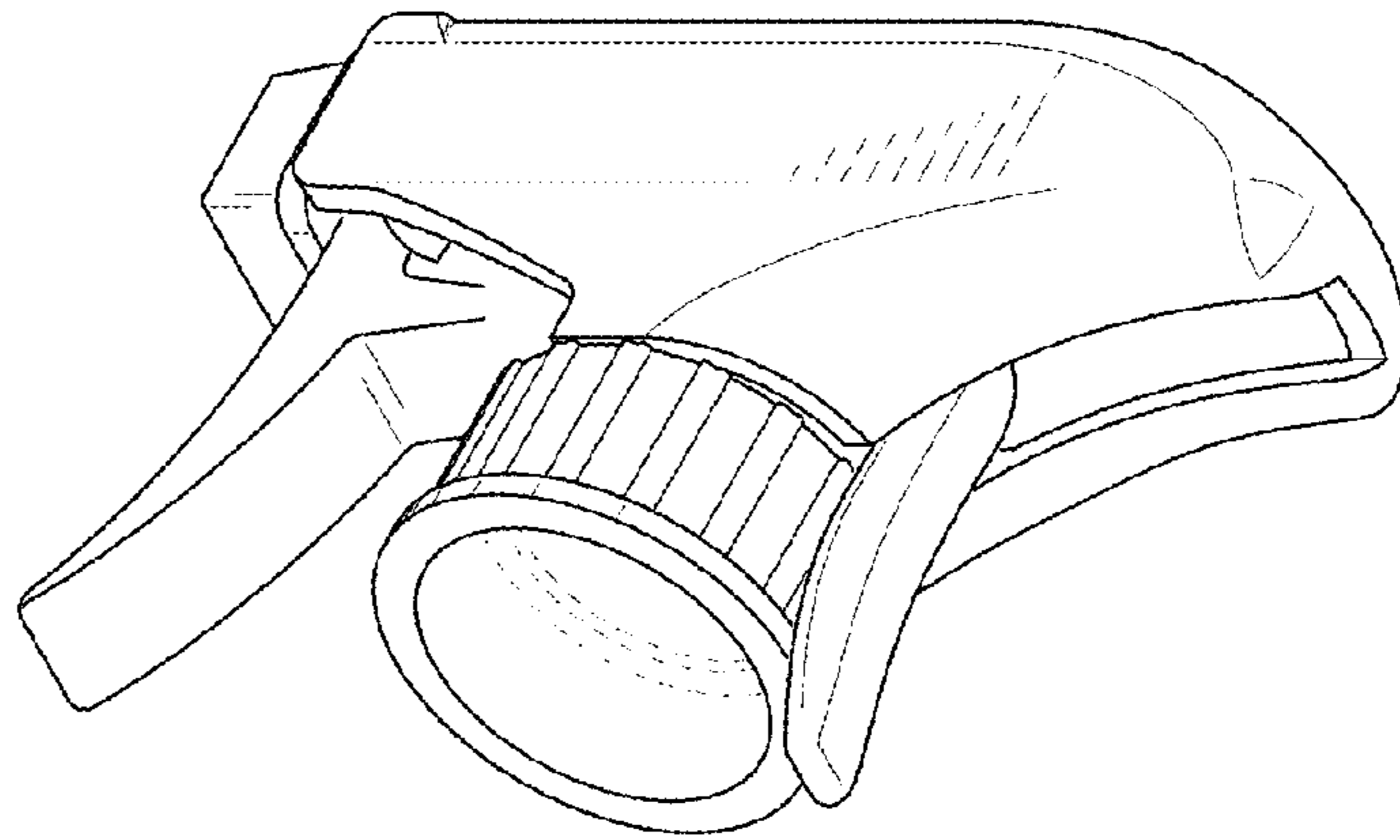
**FIG-5**



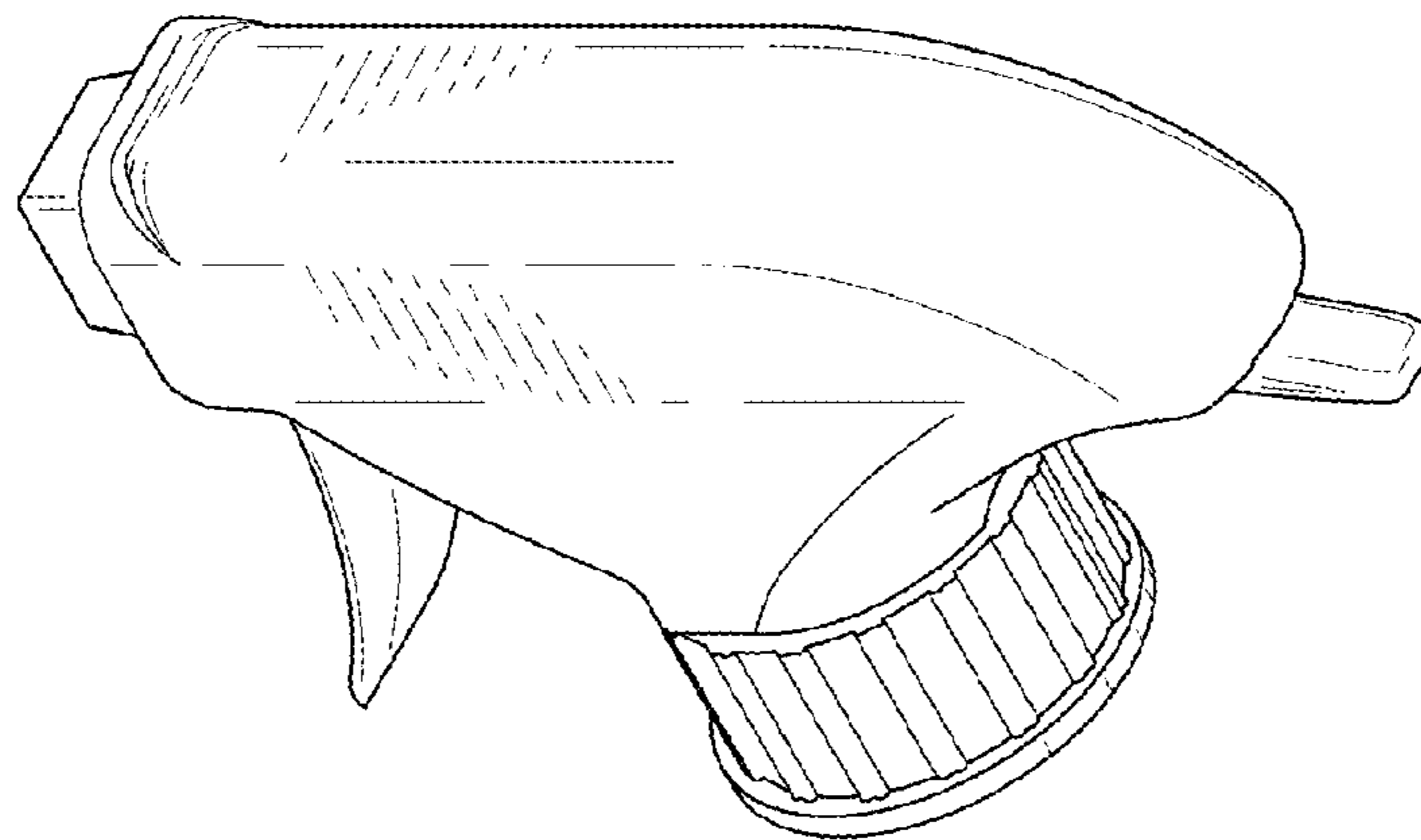
**FIG-6**



**FIG-7**



**FIG-8**



**FIG-9**