



US00D685267S

(12) **United States Design Patent**
Stout

(10) **Patent No.:** **US D685,267 S**
(45) **Date of Patent:** **** Jul. 2, 2013**

- (54) **SQUARE CAP FOR TEST TUBE**
- (76) Inventor: **Linda B. Stout**, Lilesville, NC (US)
- (**) Term: **14 Years**
- (21) Appl. No.: **29/426,179**
- (22) Filed: **Jul. 2, 2012**
- (51) **LOC (9) Cl.** **09-07**
- (52) **U.S. Cl.**
USPC **D9/441; D24/224**
- (58) **Field of Classification Search**
USPC D9/600, 661-664, 434, 439-441,
D9/448-449, 451; 206/494, 457, 527, 540;
215/316, 355, 400; 220/890; 229/116.1;
D7/392.1; D24/224
See application file for complete search history.

D616,743 S 6/2010 Cresswell et al.
D642,914 S * 8/2011 Dumas D9/439
2007/0039916 A1 2/2007 Wollman et al.

OTHER PUBLICATIONS

DiSaronno Originale Amaretto. <http://www.napacabs.com/Disaronno-Originale-Amaretto-1L-P4063.aspx>, dated Nov. 18, 2011.

* cited by examiner

Primary Examiner — Sandra Morris

(74) *Attorney, Agent, or Firm* — Montgomery Patent & Design; Robert C. Montgomery

(57) **CLAIM**

The ornamental design for a square cap for a test tube, as shown and described.

DESCRIPTION

FIG. 1 is a perspective top view of a square cap for a test tube, showing my new design;

FIG. 2 is a perspective bottom view thereof;

FIG. 3 is a front view thereof with a rear view, left side view, and right side view being a mirror image;

FIG. 4 is a top view thereof;

FIG. 5 is a bottom view thereof; and,

FIG. 6 is a perspective bottom view of the square cap for a test tube depicted in use as attached to a test tube.

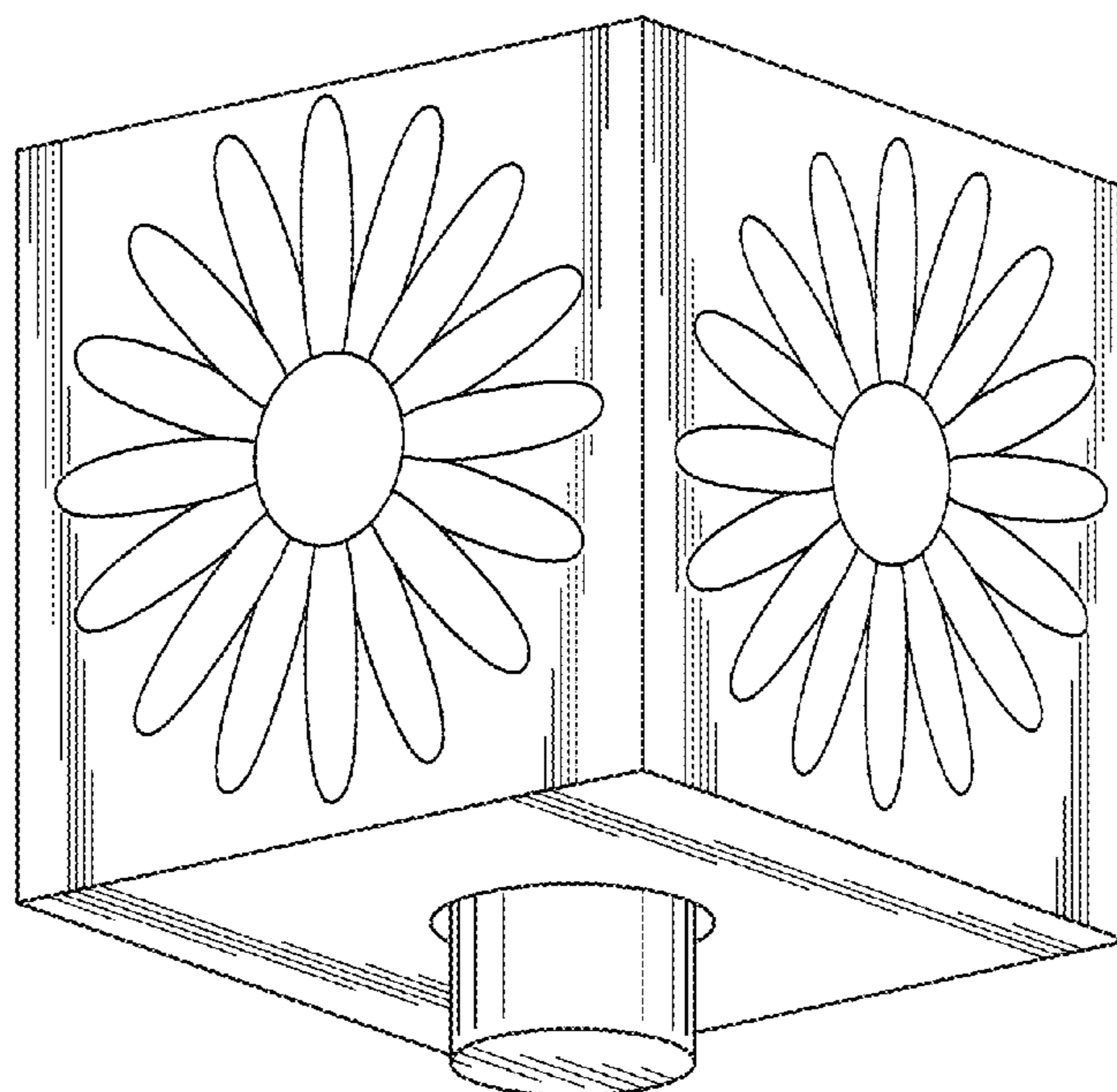
The broken line showing of a test tube is for the purpose of illustrating environmental structure and forms no part of the claimed design.

(56) **References Cited**

U.S. PATENT DOCUMENTS

D154,978 S *	8/1949	Baud	D9/432
D157,262 S *	2/1950	Jung	D9/451
D182,425 S *	4/1958	McAuley	D9/439
D255,428 S *	6/1980	Kretz	D9/439
D255,429 S *	6/1980	Plummer	D9/439
D258,144 S *	2/1981	Kallet et al.	D24/224
4,254,884 A	3/1981	Maruyama		
D260,969 S *	9/1981	Goettner et al.	D9/439
4,542,833 A	9/1985	DeVaughn		
4,643,198 A	2/1987	Ballies		
4,967,919 A	11/1990	Earhart		
6,006,931 A	12/1999	Sarstedt		

1 Claim, 6 Drawing Sheets



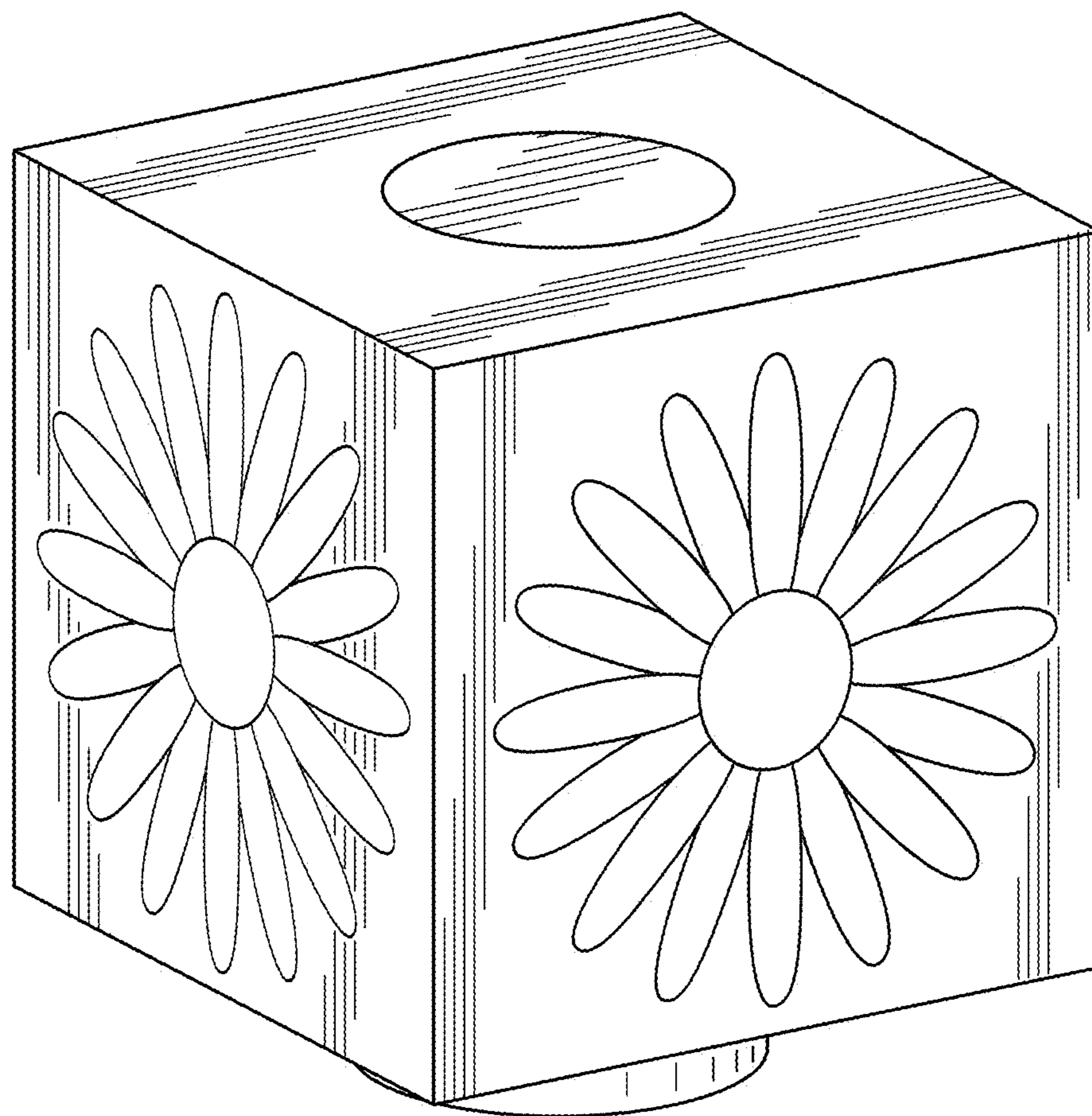


Fig. 1

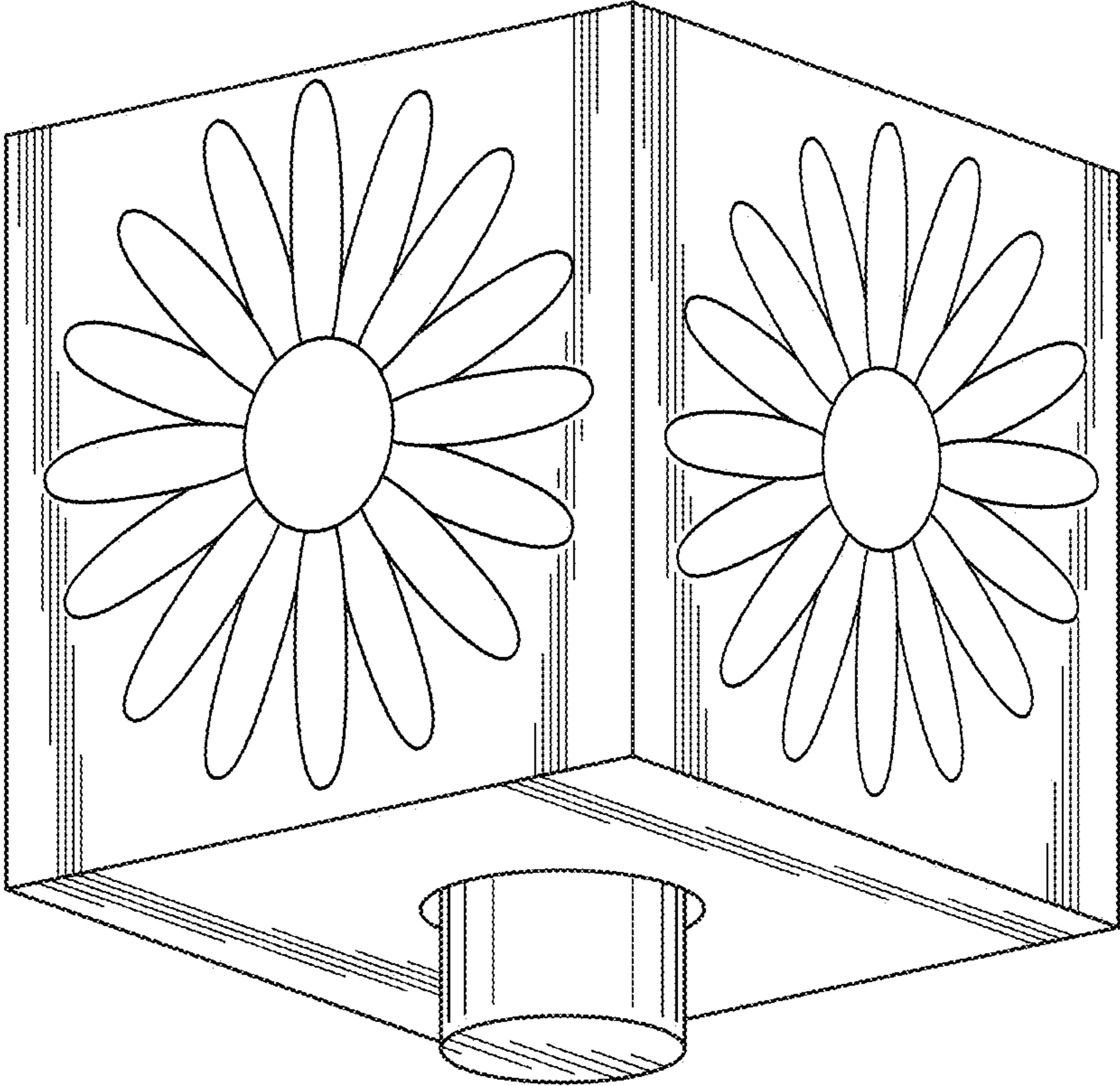


Fig. 2

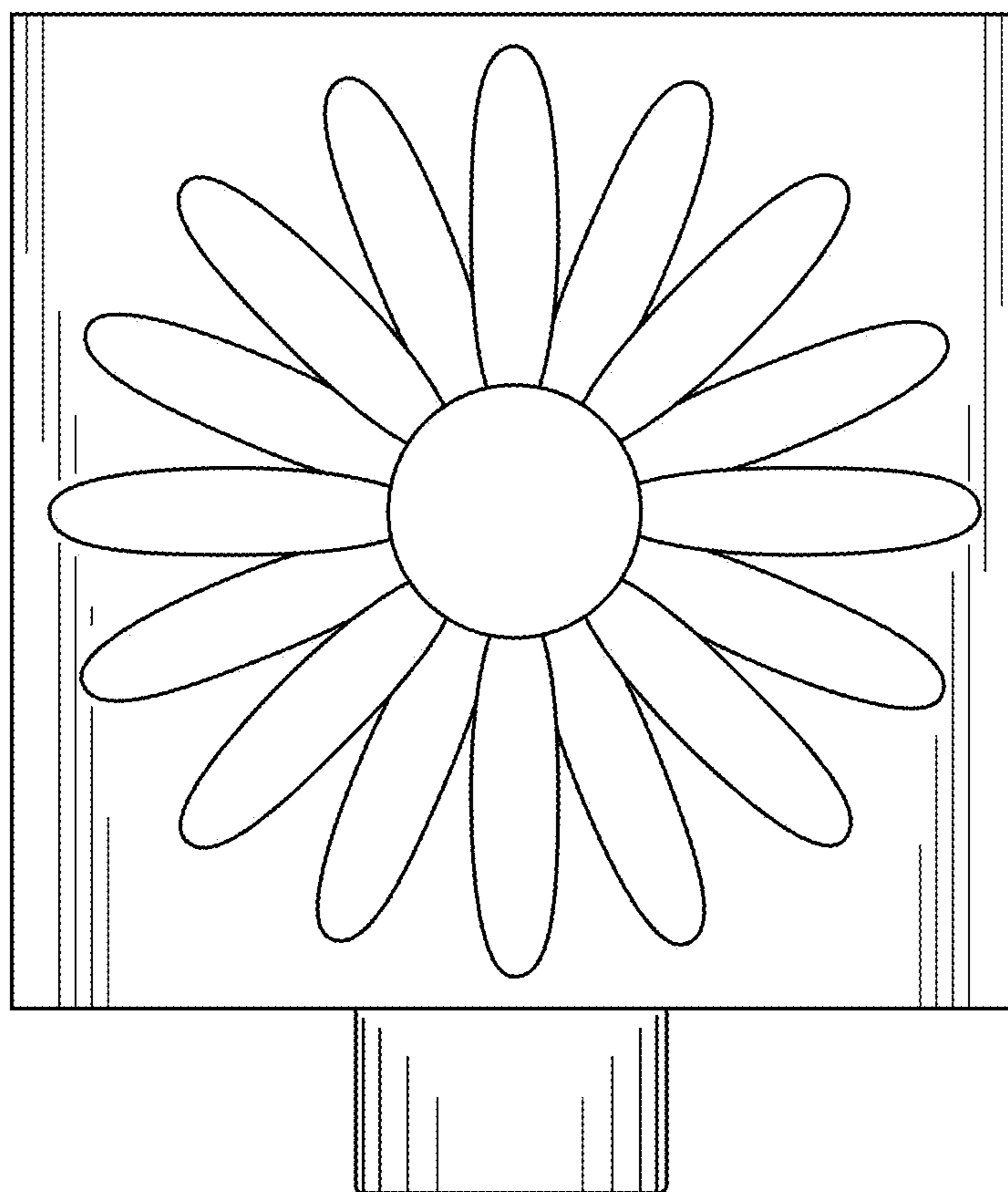


Fig. 3

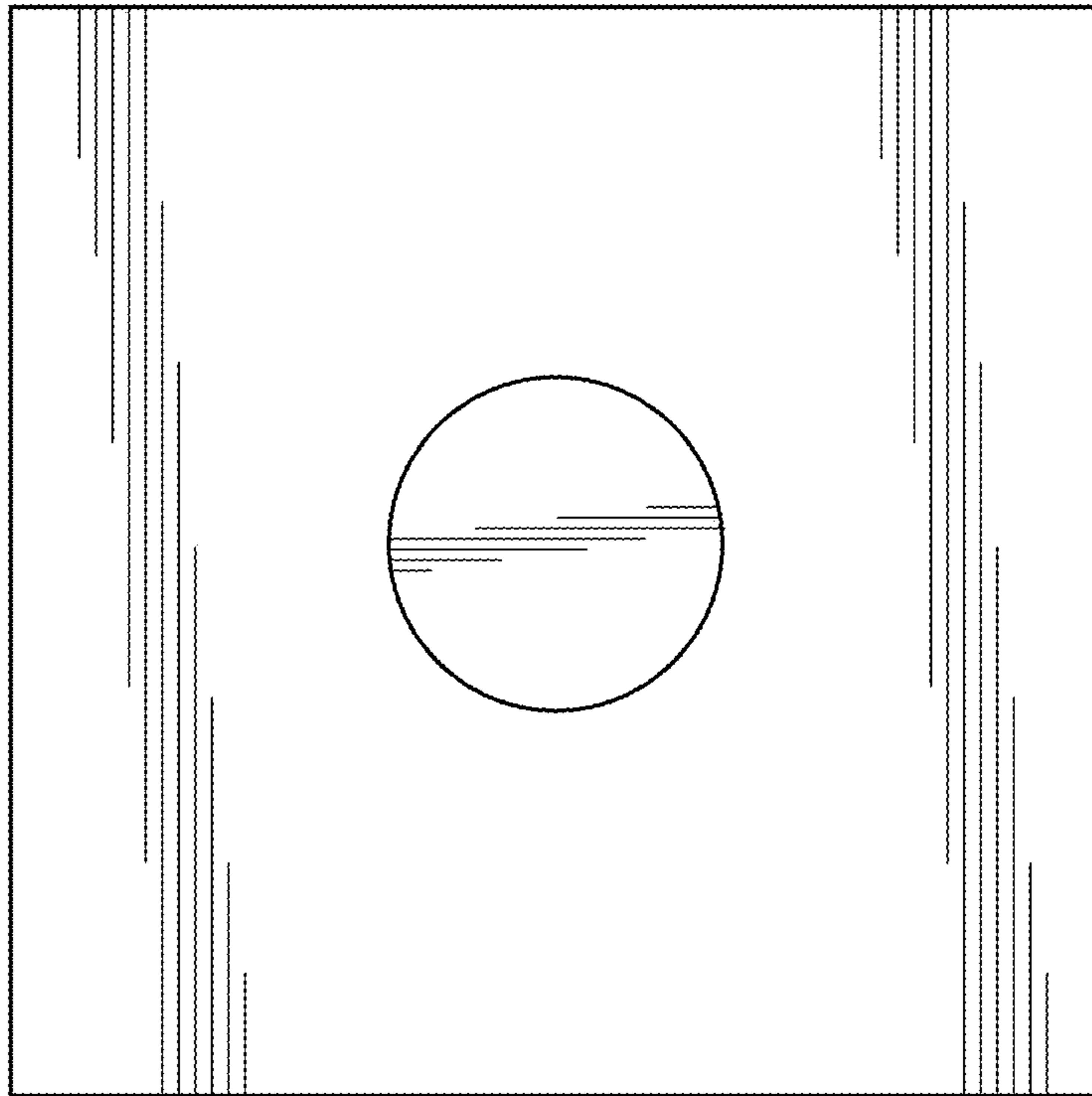


Fig. 4

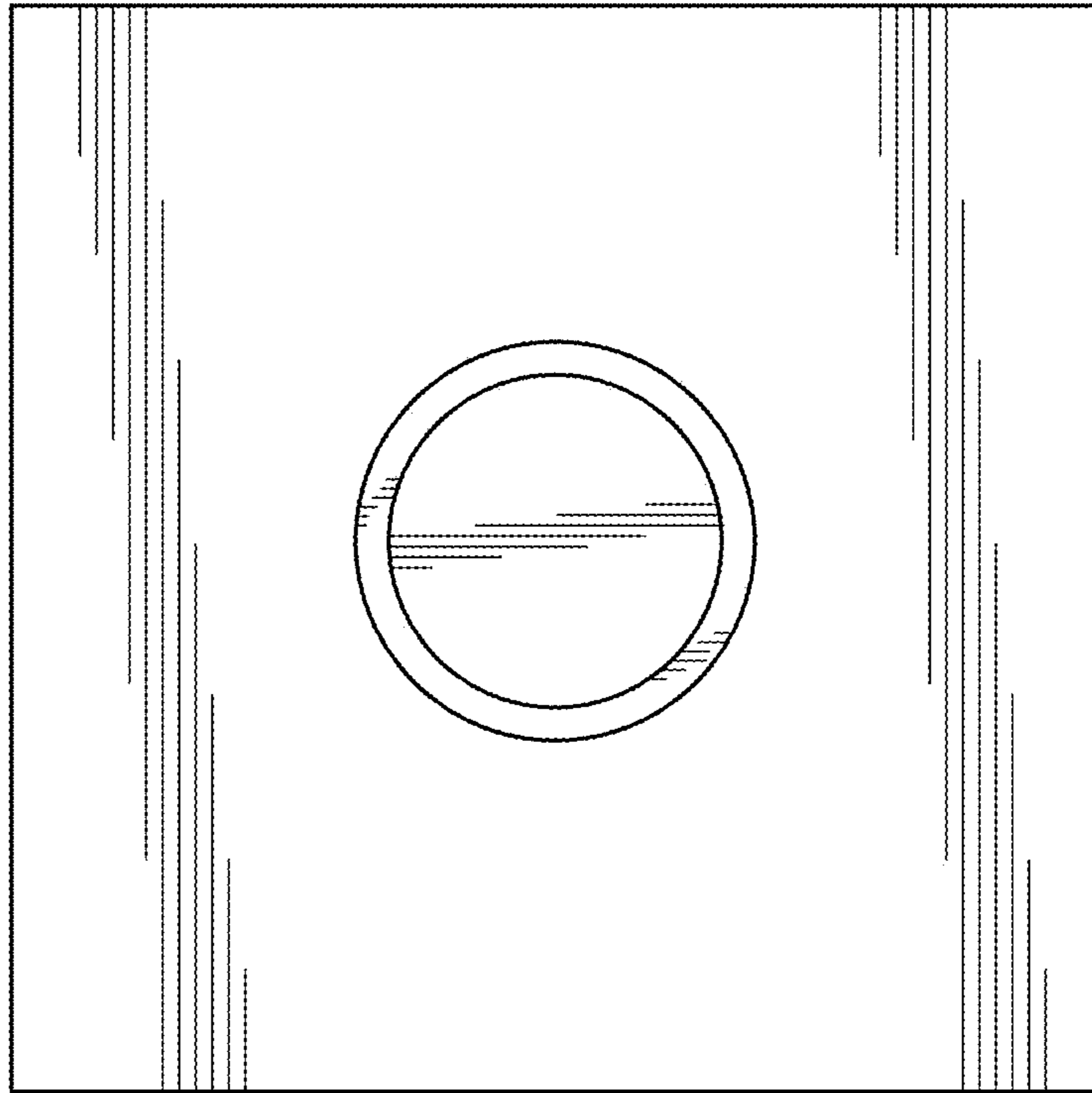


Fig. 5

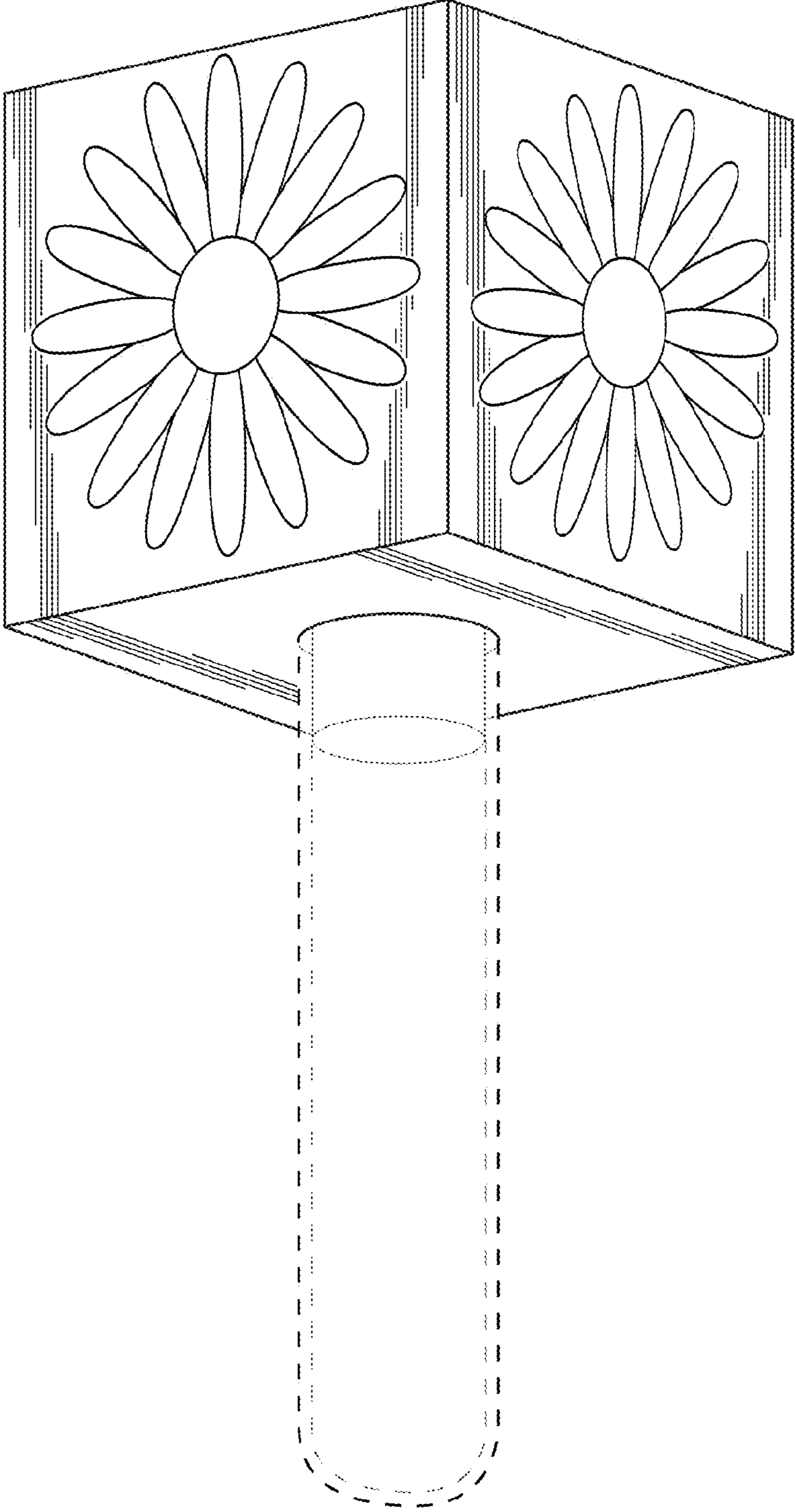


Fig. 6