



US00D685265S

(12) **United States Design Patent**
Turvey

(10) **Patent No.:** **US D685,265 S**

(45) **Date of Patent:** **** Jul. 2, 2013**

(54) **COVER AND A PORTION OF A RECEPTACLE ASSEMBLY**

(75) Inventor: **Robert R. Turvey**, Sanford, MI (US)

(73) Assignee: **S.C. Johnson & Son, Inc.**, Racine, WI (US)

(**) Term: **14 Years**

(21) Appl. No.: **29/424,153**

(22) Filed: **Jun. 7, 2012**

(51) **LOC (9) Cl.** **09-07**

(52) **U.S. Cl.**
USPC **D9/435; D9/456**

(58) **Field of Classification Search**
USPC D9/780, 772, 767, 763, 454, 438,
D9/434, 428, 425, 432; D7/396.2, 392.1,
D7/627, 605, 553.2, 541; 220/713, 711, 703,
220/377, 273, 270, 256.1, 254.1, 906, 367.1,
220/366.1, 276, 272, 271, 265; 229/406,
229/123.2

See application file for complete search history.

(56) **References Cited**

U.S. PATENT DOCUMENTS

1,991,617 A	2/1935	Krein
2,115,021 A	4/1938	Joffee
2,156,351 A	5/1939	Paul
2,224,683 A	12/1940	Knox et al.
2,258,592 A	10/1941	Bennett
2,514,094 A	7/1950	Rubin
2,781,650 A	2/1957	Lee
2,861,367 A	11/1958	Chanslor
2,908,985 A	10/1959	Hartman
2,984,035 A	5/1961	Nalle, Jr.
3,349,950 A	10/1967	Wanderer
3,374,936 A	3/1968	Colato
3,741,433 A	6/1973	Bentley et al.
3,749,276 A	7/1973	Davis
D232,684 S	9/1974	Eicholtz

D240,597 S *	7/1976	Pearson	D9/425
4,280,652 A	7/1981	Schmidt		
4,285,461 A	8/1981	Meyers		
4,346,833 A	8/1982	Bernhardt		
4,463,893 A	8/1984	Brunone et al.		
4,706,873 A	11/1987	Schulz		
4,863,094 A	9/1989	Morrow et al.		
4,936,462 A	6/1990	Yuen		
4,962,849 A	10/1990	Anderson		
5,083,699 A	1/1992	Bulcher		
D348,394 S *	7/1994	Dreyer	D9/425
5,419,436 A	5/1995	Powell		
5,492,703 A	2/1996	Gics		
D400,404 S *	11/1998	Indekeu	D7/554.3
6,003,673 A	12/1999	Vieu		
6,149,006 A	11/2000	Brauner et al.		
D435,969 S *	1/2001	Sonntag	D3/318
D469,313 S	1/2003	Thonis et al.		
D511,247 S *	11/2005	Tsuchiya	D3/273
D528,014 S *	9/2006	Cutts et al.	D9/761
D529,798 S *	10/2006	Snedden et al.	D9/432
D530,198 S *	10/2006	Snedden et al.	D9/432

(Continued)

Primary Examiner — Susan Bennett Hattan

(57) **CLAIM**

The ornamental design for a cover and a portion of a receptacle assembly, as shown and described.

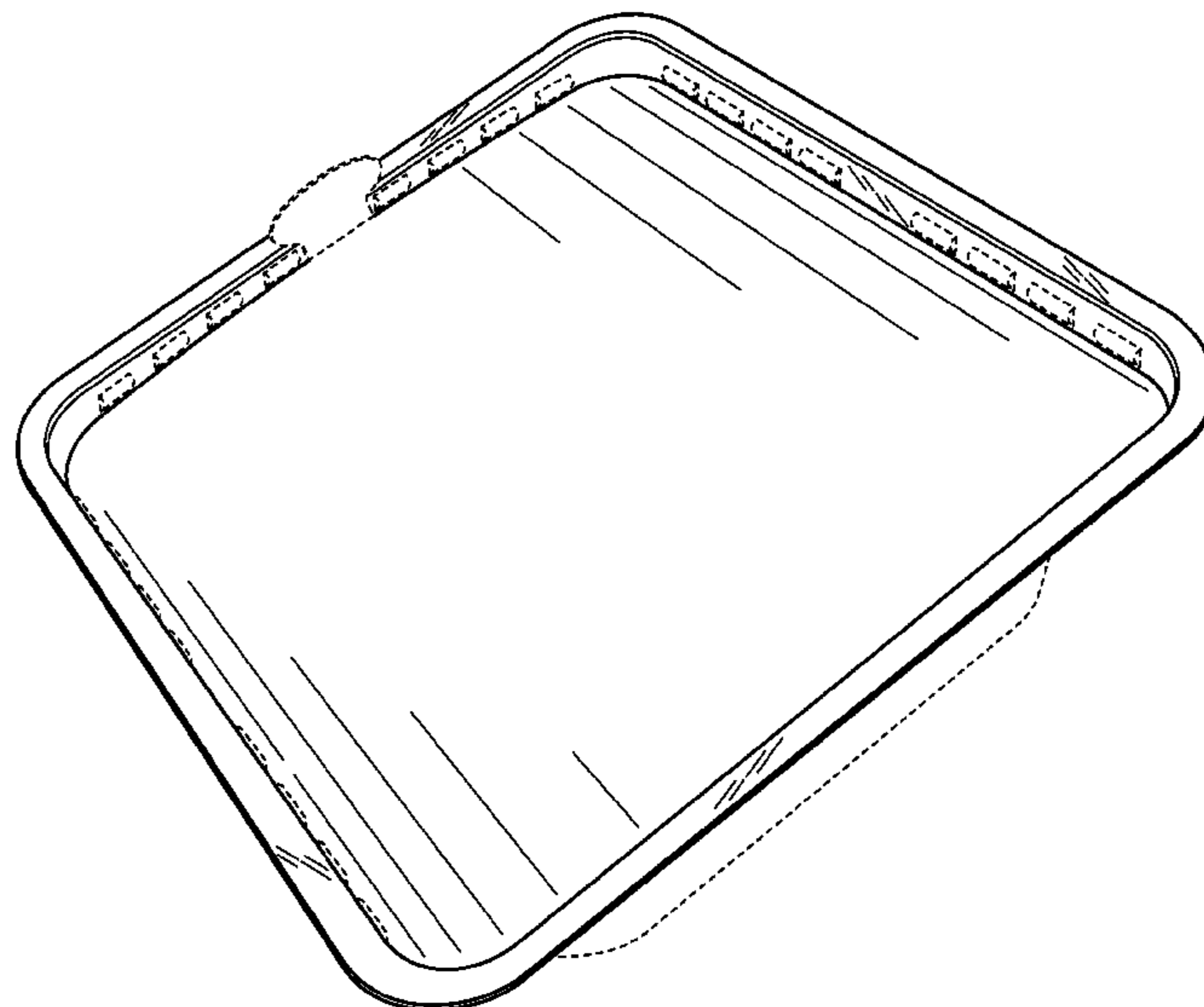
DESCRIPTION

FIG. 1 is a perspective view of a top, front, and side of an ornamental design for a cover and a portion of a receptacle assembly; and,

FIG. 2 is a top plan view of the cover and the portion of the receptacle of FIG. 1.

The broken lines are for the purpose of illustrating environmental structure and form no part of the claimed design. The cover of FIGS. 1 and 2 is depicted as comprising an opaque material, whereas the portion of the receptacle of FIGS. 1 and 2 is depicted as comprising a transparent or translucent material.

1 Claim, 2 Drawing Sheets



US D685,265 S

Page 2

U.S. PATENT DOCUMENTS							
7,264,120	B2	9/2007	Turvey et al.	D637,482	S *	5/2011	Snedden et al. D9/425
7,437,841	B2	10/2008	Thum	D649,033	S	11/2011	Epstein
7,610,703	B2	11/2009	Thum	D656,815	S *	4/2012	Fisher et al. D9/435
D608,593	S *	1/2010	Follansbee et al. D7/553.5	8,308,021	B2 *	11/2012	Turvey et al. 220/793
7,673,753	B1	3/2010	Huckert	2007/0012710	A1 *	1/2007	Vovan 220/793
7,913,849	B2	3/2011	Pedrazzi et al.				

* cited by examiner

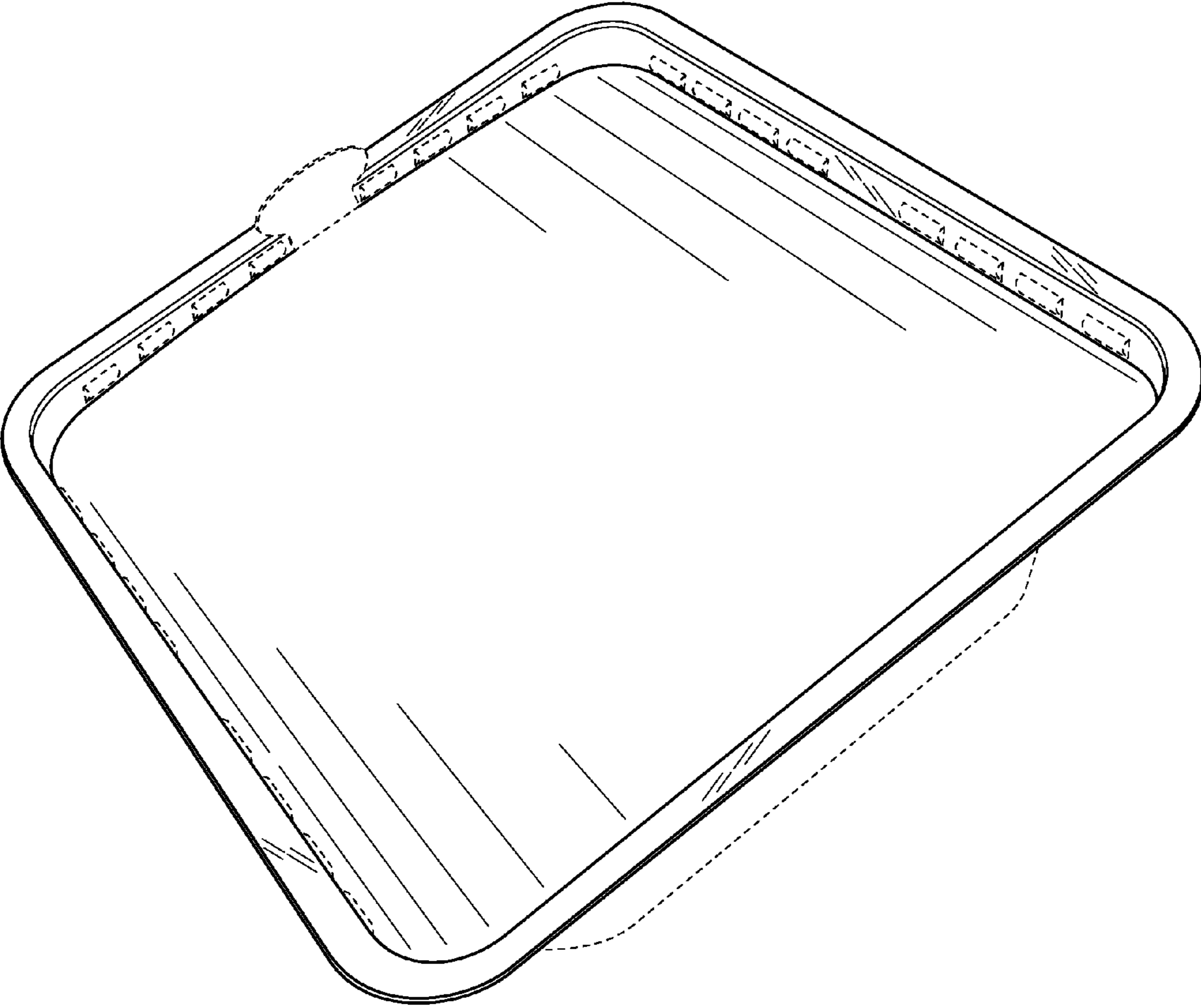


FIG. 1

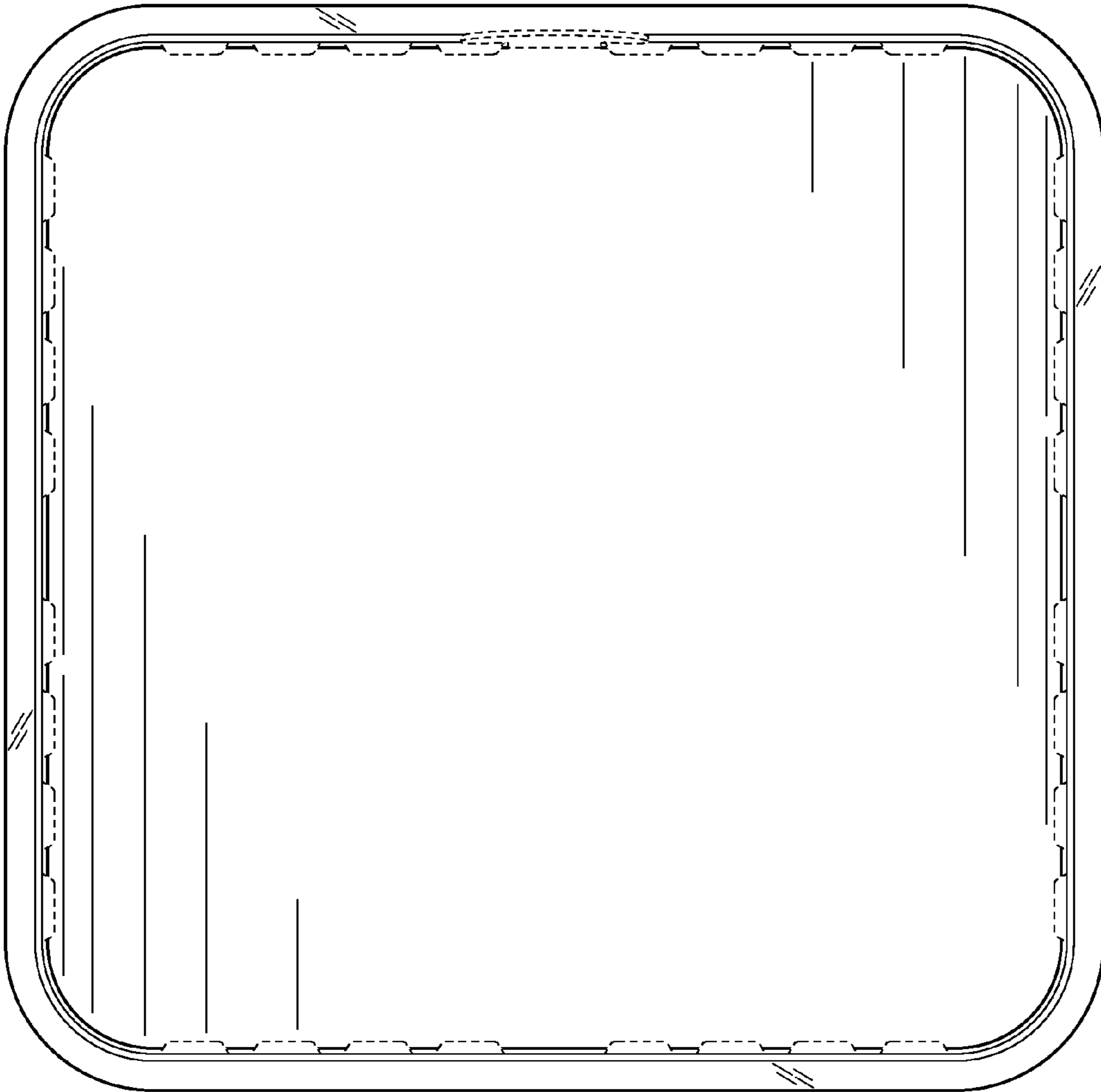


FIG. 2