



US00D685255S

(12) **United States Design Patent**
Rocquet

(10) **Patent No.:** **US D685,255 S**

(45) **Date of Patent:** **** Jul. 2, 2013**

(54) **DEVICE FOR MOVING LOADS**

D486,726 S 2/2004 Bushey
D517,401 S * 3/2006 Carnevali D8/374
D548,577 S 8/2007 Shiffler et al.
D589,783 S 4/2009 Eul

(75) Inventor: **Gerard Rocquet**, Saint Chinian (FR)

(73) Assignee: **Installations Magasins Gerard Rocquet**, Saint Chinian (FR)

FOREIGN PATENT DOCUMENTS

FR 2763925 5/1997

(*) Notice: This patent is subject to a terminal disclaimer.

* cited by examiner

(**) Term: **14 Years**

Primary Examiner — Holly Baynham

(74) *Attorney, Agent, or Firm* — Andrew W. Chu; Craft Chu PLLC

(21) Appl. No.: **29/384,260**

(22) Filed: **Jan. 28, 2011**

(51) **LOC (9) Cl.** **03-01**

(52) **U.S. Cl.**
USPC **D8/374**

(58) **Field of Classification Search**
USPC D8/374; 248/188.2, 346.01, 346.11
See application file for complete search history.

(57) **CLAIM**

The ornamental for a device for moving loads, as shown and described.

DESCRIPTION

FIG. 1 is an upper perspective view of the device for moving loads showing my design.

FIG. 2 is a top plan view thereof;

FIG. 3 is a bottom plan view thereof;

FIG. 4 is a front elevation view thereof;

FIG. 5 is a back elevation view thereof;

FIG. 6 is a side elevation view thereof; and,

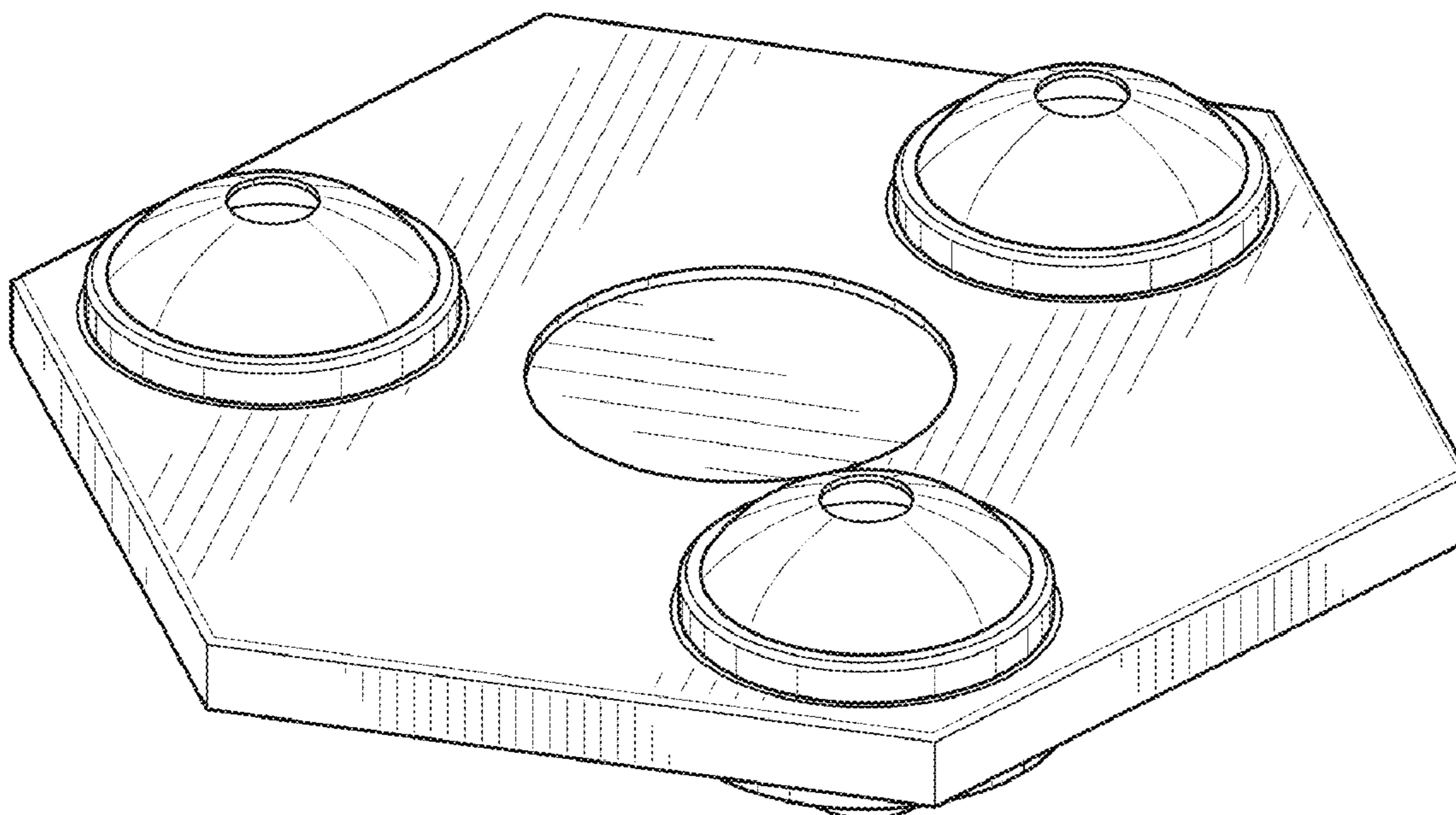
FIG. 7 is an opposite side view thereof.

(56) **References Cited**

U.S. PATENT DOCUMENTS

D371,958 S * 7/1996 Keaton D8/374
D383,377 S * 9/1997 Sellers D8/374
D396,255 S * 7/1998 Kotler D21/710

1 Claim, 3 Drawing Sheets



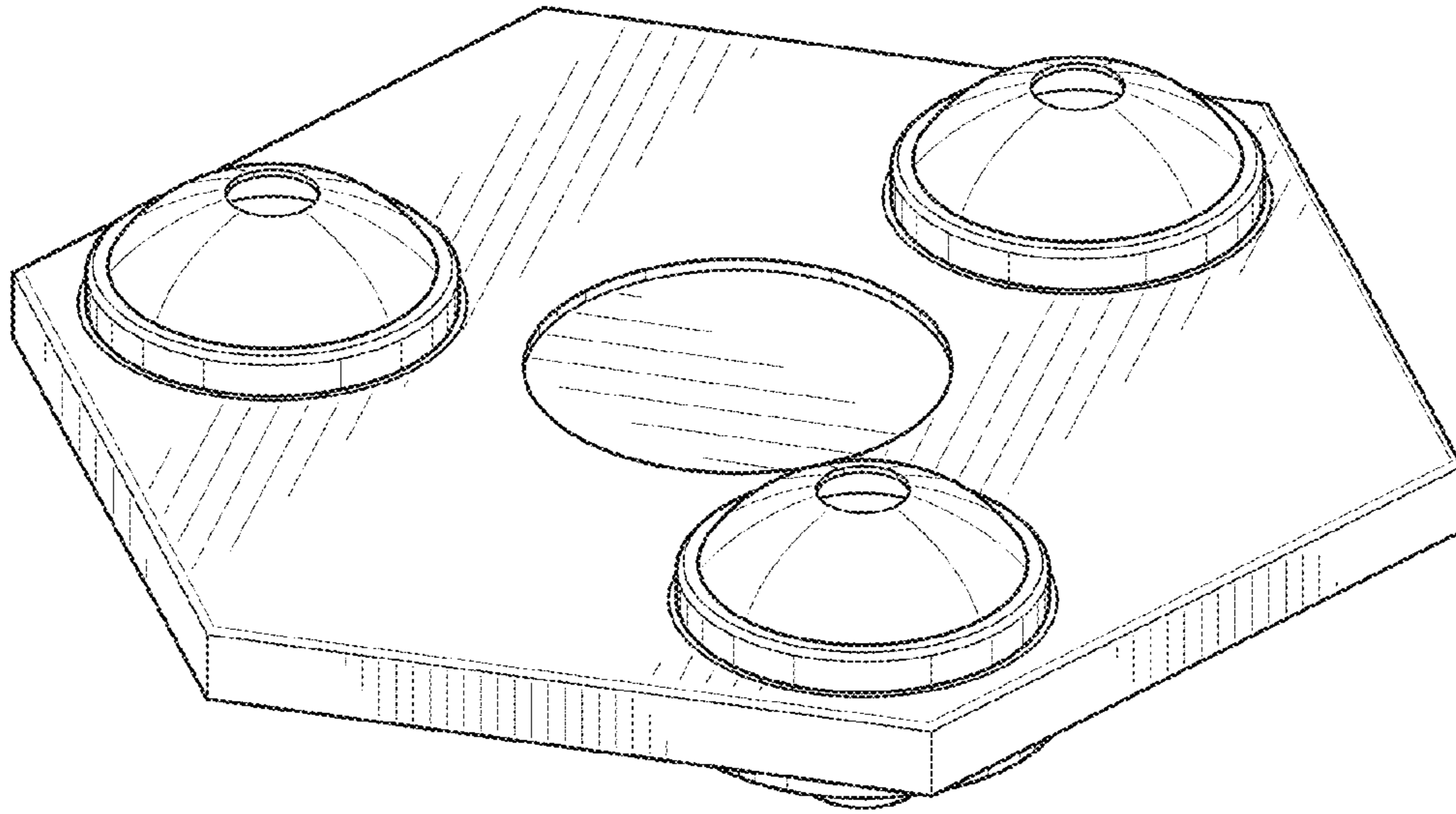


FIG. 1

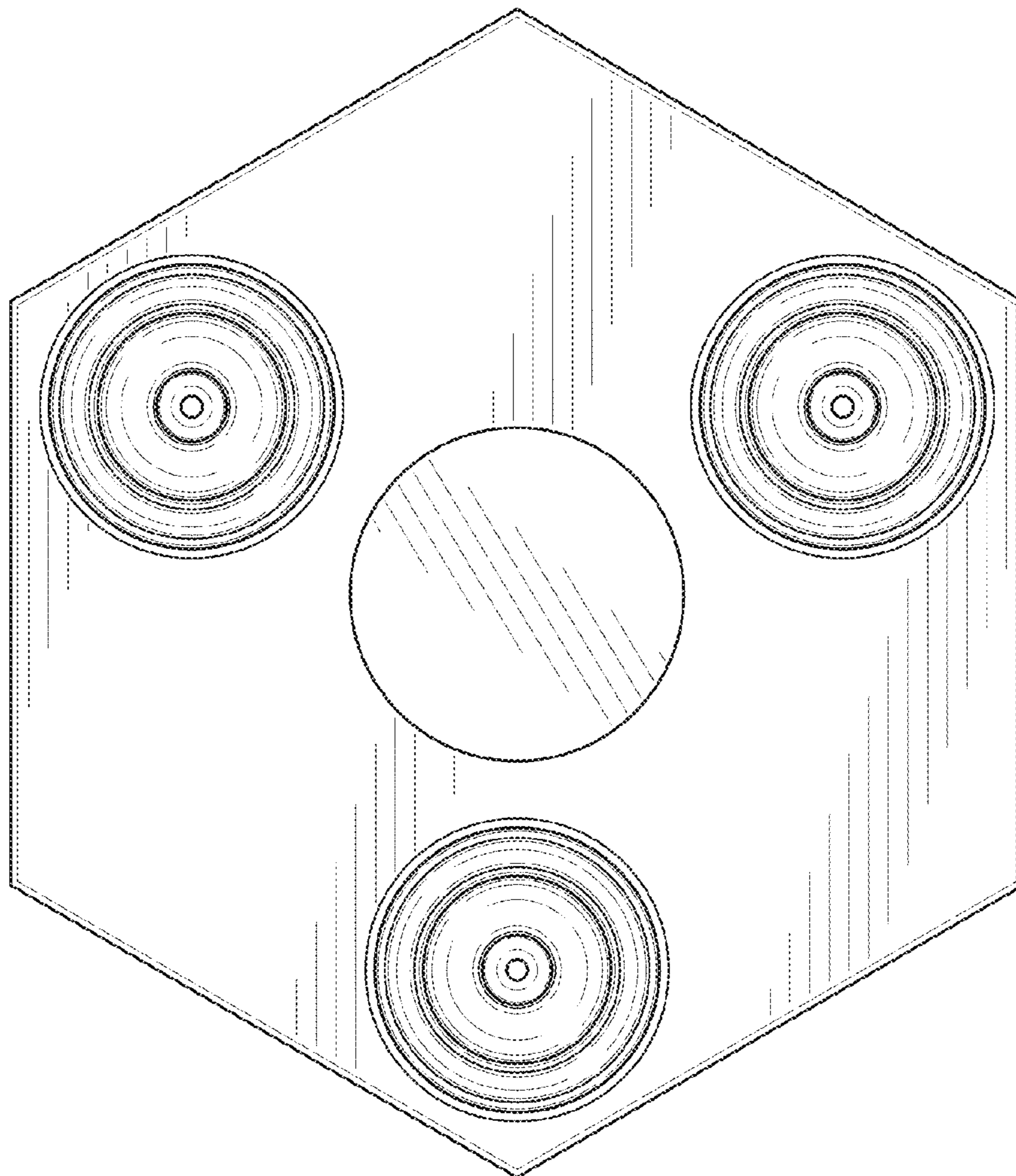


FIG. 2

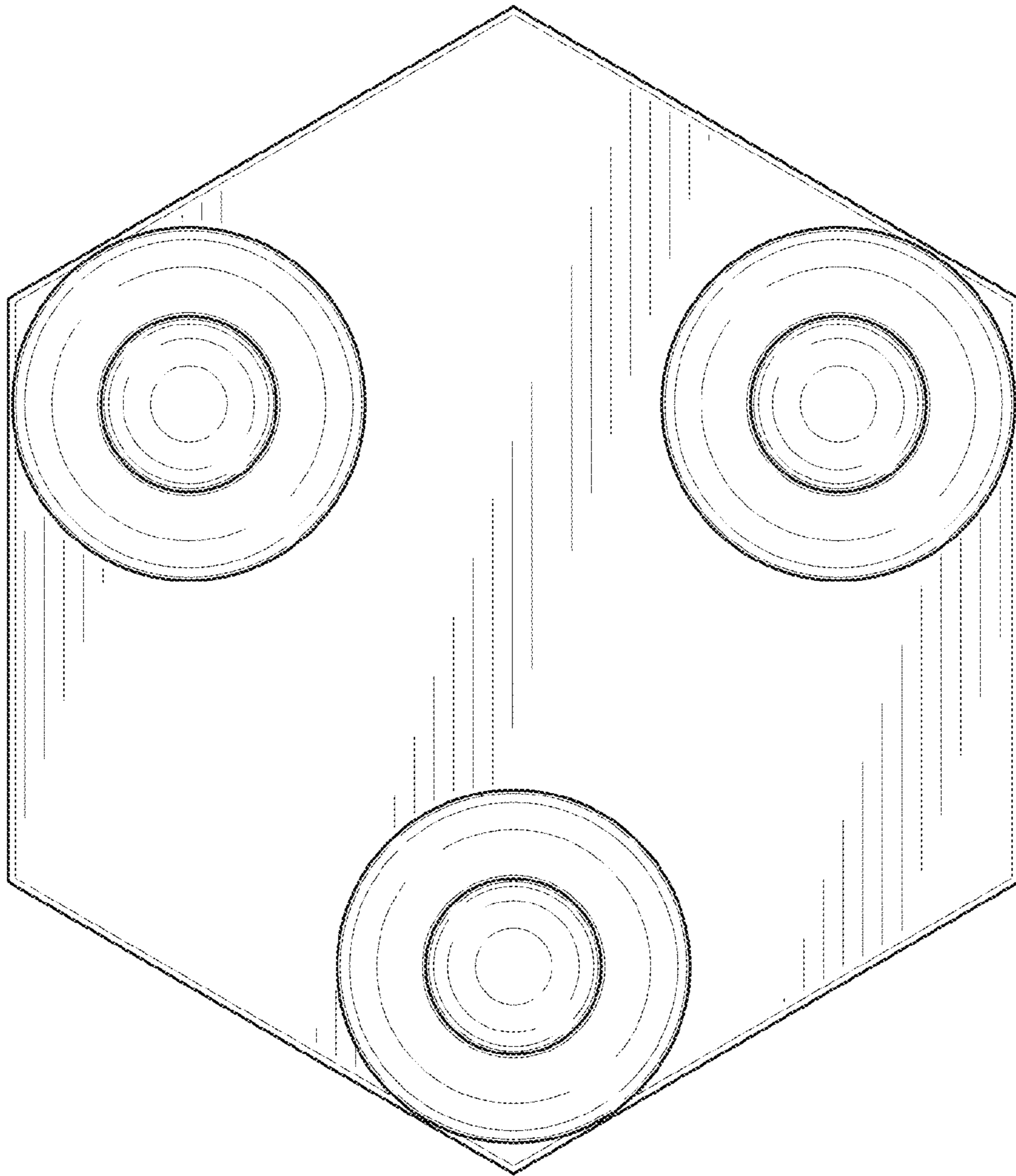


FIG. 3

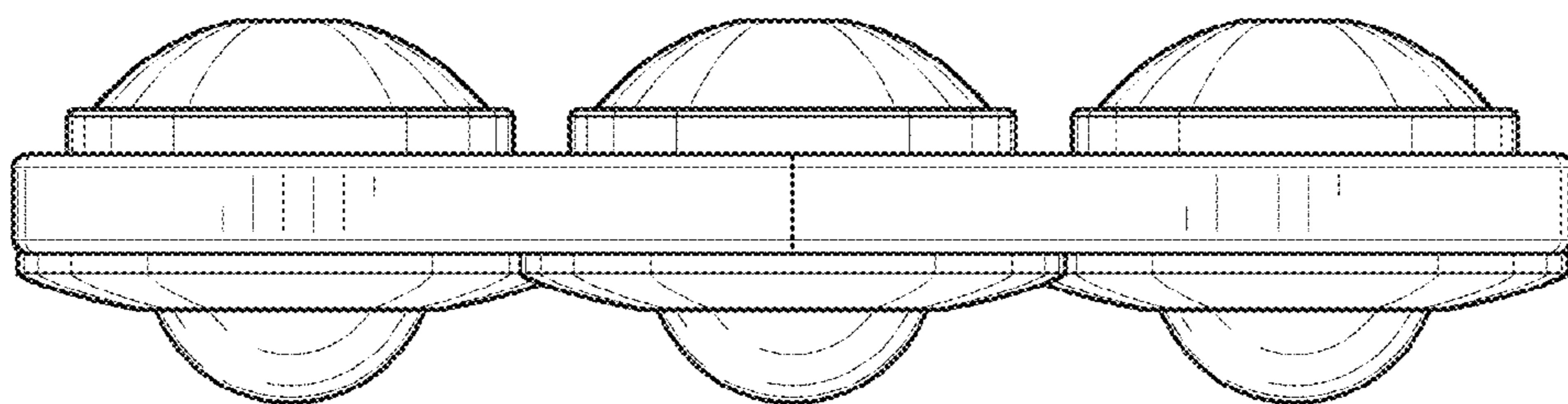


FIG. 4

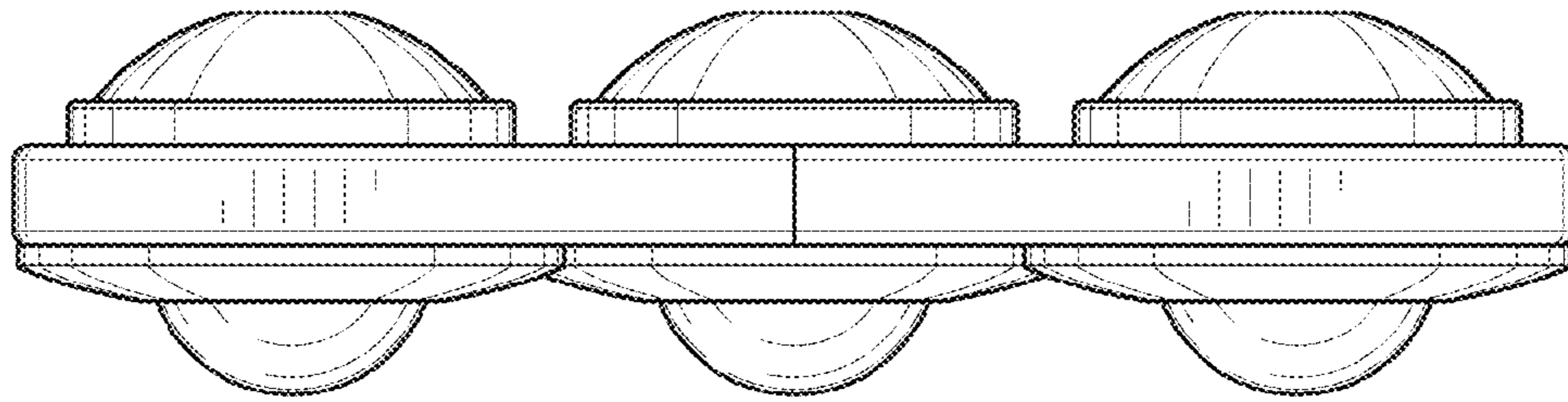


FIG. 5

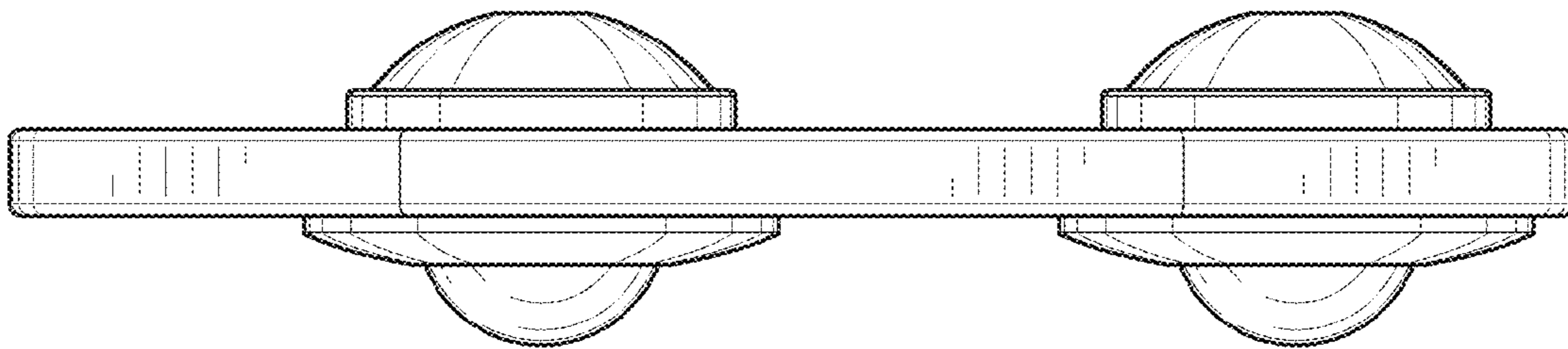


FIG. 6

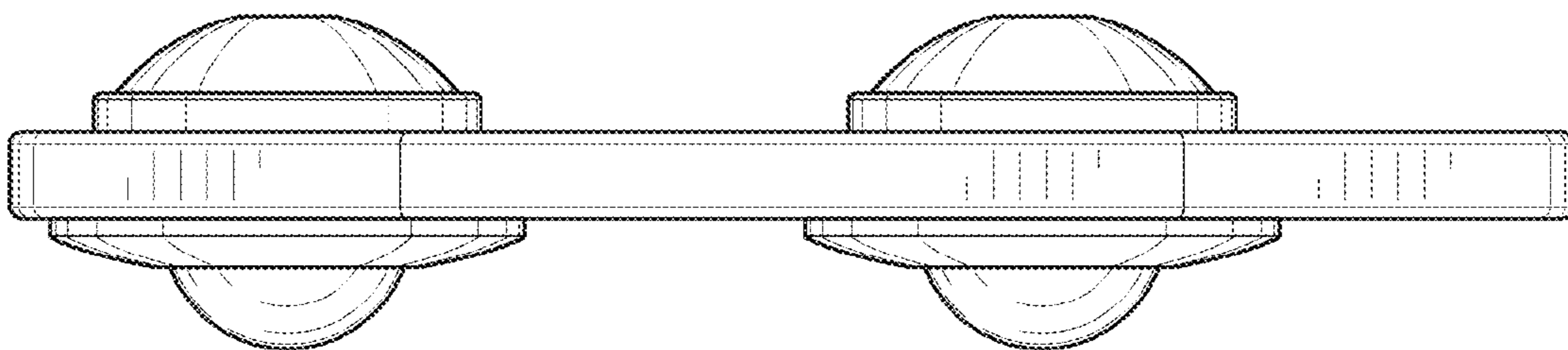


FIG. 7