



US00D685254S

(12) **United States Design Patent**
Rothbaum et al.

(10) **Patent No.:** **US D685,254 S**
(45) **Date of Patent:** **** Jul. 2, 2013**

(54) **STRAP FOR CORD MANAGEMENT**

4,815,172 A 3/1989 Ward
4,920,235 A 4/1990 Yamaguchi
4,940,427 A 7/1990 Pearson

(75) Inventors: **Wayne Rothbaum**, New York, NY (US);
Allison S. Conner, Brooklyn, NY (US);
Robert B. Curtis, New York, NY (US);
Jonas K. Damon, New York, NY (US);
Daniel A. Sanchez, Brooklyn, NY (US)

(Continued)

FOREIGN PATENT DOCUMENTS

CN 201352845 Y 11/2009
GB 2420552 A 5/2006

(Continued)

OTHER PUBLICATIONS

Rothbaum, Notice of Allowance, U.S. Appl. No. 29/368,746, Dec. 29, 2010, 8 pgs.

(Continued)

Primary Examiner — Cynthia Underwood

(74) *Attorney, Agent, or Firm* — Morgan Lewis & Bockius LLP

(57) **CLAIM**

The ornamental design for a strap for cord management, as shown and described.

DESCRIPTION

The present application relates to U.S. utility patent application Ser. No. 12/761,326 filed Apr. 15, 2010, to U.S. design patent application Ser. No. 29/368,746 filed Aug. 27, 2010, and U.S. design patent application Ser. No. 29/368,754 filed Aug. 27, 2010.

FIG. 1 is a perspective view of our new design of a strap for cord management;

FIG. 2 is a top view thereof;

FIG. 3 is a bottom view thereof;

FIG. 4 is a view of a first side thereof;

FIG. 5 is a view of a second side thereof;

FIG. 6 is a view of a third side thereof; and,

FIG. 7 is a view of a fourth side thereof.

1 Claim, 4 Drawing Sheets

(73) Assignee: **CJD LLC**, New York, NY (US)

(**) Term: **14 Years**

(21) Appl. No.: **29/428,997**

(22) Filed: **Aug. 6, 2012**

Related U.S. Application Data

(63) Continuation of application No. 29/368,755, filed on Aug. 27, 2010, now Pat. No. Des. 667,291.

(51) **LOC (9) Cl.** **08-05**

(52) **U.S. Cl.**
USPC **D8/356**

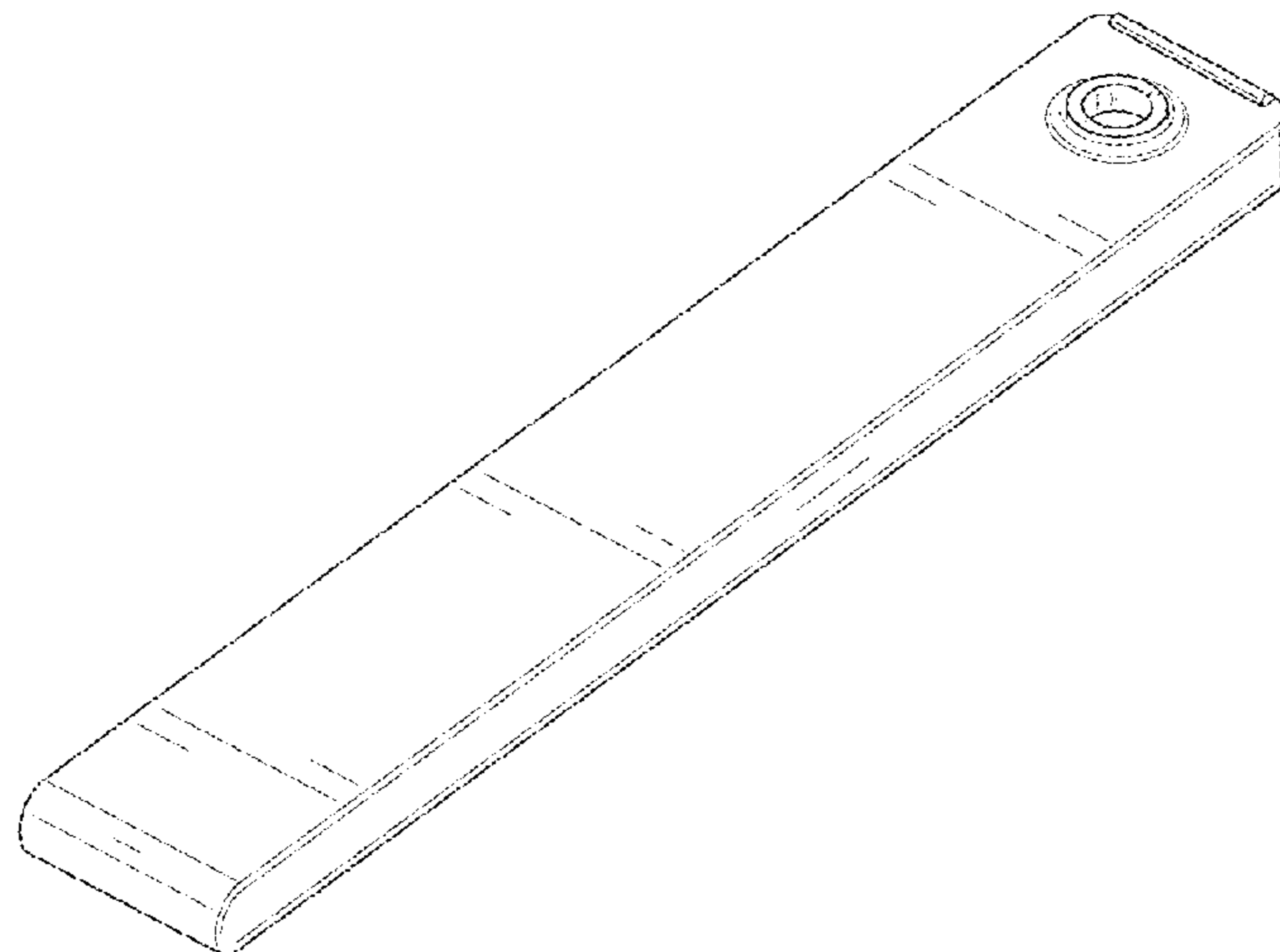
(58) **Field of Classification Search**
USPC D8/356, 354, 349; 220/575; 206/521.15;
24/302, 16 R, 306; 439/501; 381/374; D14/217,
D14/205; 224/651

See application file for complete search history.

(56) **References Cited**

U.S. PATENT DOCUMENTS

D39,960 S 5/1909 Mussillon
1,544,386 A 6/1925 Fridolph
1,675,421 A 7/1928 Pettee et al.
1,722,498 A 7/1929 Fridolph
2,965,939 A 12/1960 Olsson
D206,401 S 12/1966 Fisher
D224,960 S 10/1972 Wilson
3,919,740 A 11/1975 Scherb
3,994,048 A 11/1976 Rosenthal



US D685,254 S

Page 2

U.S. PATENT DOCUMENTS

| | | | | |
|--------------|------|---------|-------------------|------------|
| 4,957,232 | A | 9/1990 | Sprague | |
| 5,048,158 | A | 9/1991 | Koerner | |
| 5,130,899 | A | 7/1992 | Larkin et al. | |
| 5,142,743 | A | 9/1992 | Hahn | |
| 5,168,603 | A | 12/1992 | Reed | |
| D357,739 | S | 4/1995 | Stewart et al. | |
| 5,402,971 | A | 4/1995 | Bower | |
| 5,517,838 | A | 5/1996 | Moore | |
| 5,518,214 | A | 5/1996 | Spencer | |
| 5,572,773 | A | 11/1996 | Bauer | |
| 5,584,452 | A | 12/1996 | Koike | |
| 5,586,760 | A | 12/1996 | Hauter | |
| 5,604,961 | A | 2/1997 | Cole | |
| 5,682,653 | A | 11/1997 | Berglof et al. | |
| D390,447 | S | 2/1998 | Colen, Jr. | |
| 5,802,676 | A | 9/1998 | Tolan | |
| D401,137 | S | 11/1998 | Boelling | |
| 6,010,105 | A * | 1/2000 | Davis | 248/317 |
| 6,044,525 | A | 4/2000 | Sastre et al. | |
| 6,085,393 | A | 7/2000 | Tsui et al. | |
| 6,087,594 | A | 7/2000 | Chou | |
| 6,279,804 | B1 * | 8/2001 | Gregg | 224/675 |
| 6,301,754 | B1 | 10/2001 | Grunberger et al. | |
| 6,344,021 | B1 | 2/2002 | Juster et al. | |
| D454,235 | S * | 3/2002 | Kaplan | D30/153 |
| 6,427,290 | B1 | 8/2002 | Liu | |
| 6,467,132 | B1 | 10/2002 | Robley | |
| 6,490,767 | B2 | 12/2002 | Haiduk | |
| 6,499,199 | B2 | 12/2002 | Frazier | |
| 6,581,885 | B2 | 6/2003 | Polad | |
| 6,588,074 | B2 | 7/2003 | Galkiewicz et al. | |
| 6,701,580 | B1 | 3/2004 | Bandyopadhyay | |
| D488,374 | S | 4/2004 | Hussaini et al. | |
| 6,763,554 | B1 | 7/2004 | Torrey et al. | |
| 6,880,270 | B2 | 4/2005 | Prather | |
| 6,992,253 | B1 | 1/2006 | Spellman et al. | |
| 7,025,509 | B2 | 4/2006 | Martin | |
| 7,039,958 | B2 | 5/2006 | Henricksen | |
| 7,096,544 | B2 | 8/2006 | Lusardi | |
| 7,213,278 | B2 | 5/2007 | Peterson et al. | |
| D567,630 | S | 4/2008 | Brassard | |
| D567,631 | S | 4/2008 | Brassard | |
| D572,156 | S | 7/2008 | Payne | |
| 7,448,689 | B2 * | 11/2008 | Carter et al. | 297/440.14 |
| 7,516,591 | B2 | 4/2009 | Wolner et al. | |
| 7,543,359 | B2 | 6/2009 | Moughelbay et al. | |
| D599,196 | S | 9/2009 | Ruffin et al. | |
| D613,137 | S | 4/2010 | Wieberdink et al. | |
| 7,712,696 | B2 | 5/2010 | Loh | |
| 7,731,069 | B2 * | 6/2010 | Lopreiato | 224/157 |
| D619,884 | S | 7/2010 | Hansort | |
| D624,378 | S | 9/2010 | Wysopal | |
| D625,579 | S | 10/2010 | Lee et al. | |
| D636,659 | S | 4/2011 | Rothbaum et al. | |
| D639,963 | S | 6/2011 | Kase | |
| 8,002,159 | B2 | 8/2011 | Cragg | |
| D645,333 | S | 9/2011 | Rothbaum et al. | |
| 8,103,352 | B2 | 1/2012 | Fried et al. | |
| D654,052 | S | 2/2012 | Lee et al. | |
| D660,740 | S | 5/2012 | Cullen et al. | |
| D662,087 | S * | 6/2012 | Peller | D14/223 |
| D666,896 | S * | 9/2012 | Pinholster et al. | D8/356 |
| 8,261,416 | B2 | 9/2012 | Rothbaum et al. | |
| 2001/0035242 | A1 | 11/2001 | Hughs et al. | |
| 2002/0033271 | A1 | 3/2002 | Fritschle et al. | |
| 2002/0073516 | A1 | 6/2002 | Behar | |

| | | | | |
|--------------|------|---------|----------------|--------|
| 2002/0112323 | A1 | 8/2002 | Nire | |
| 2003/0167605 | A1 | 9/2003 | Schultz | |
| 2004/0003487 | A1 * | 1/2004 | Reiter | 24/303 |
| 2005/0016760 | A1 | 1/2005 | Vasichek | |
| 2005/0025329 | A1 | 2/2005 | Lee | |
| 2005/0255898 | A1 | 11/2005 | Huang | |
| 2006/0008106 | A1 | 1/2006 | Harper | |
| 2006/0121962 | A1 | 6/2006 | Kohli | |
| 2006/0178041 | A1 | 8/2006 | Lund et al. | |
| 2006/0186150 | A1 | 8/2006 | Willows et al. | |
| 2007/0086617 | A1 | 4/2007 | Loh | |
| 2007/0152008 | A1 | 7/2007 | Case | |
| 2008/0041897 | A1 | 2/2008 | Malhotra | |
| 2008/0083096 | A1 * | 4/2008 | Wilkinson | 24/298 |
| 2008/0149679 | A1 | 6/2008 | Case et al. | |
| 2008/0164157 | A1 | 7/2008 | Sween et al. | |
| 2009/0013504 | A1 | 1/2009 | Crespo | |
| 2009/0016559 | A1 | 1/2009 | Cleary | |
| 2009/0314515 | A1 | 12/2009 | Bevirt et al. | |

FOREIGN PATENT DOCUMENTS

| | | | |
|----|----------------|----|---------|
| JP | 63-125493 | U | 8/1988 |
| JP | 11-317995 | A | 11/1999 |
| JP | 2001-169381 | A | 6/2001 |
| JP | 2003-230418 | A | 8/2003 |
| JP | 2003-319484 | A | 11/2003 |
| JP | 2006-081130 | A | 3/2006 |
| JP | 2006-222712 | A | 8/2006 |
| JP | 2009-212918 | A | 9/2009 |
| KR | 20-0301311 | | 1/2003 |
| WO | WO 2004/071056 | A1 | 8/2004 |

OTHER PUBLICATIONS

Rothbaum, Notice of Allowance, U.S. Appl. No. 29/368,755, May 15, 2012, 8 pgs.

Rothbaum, Notice of Allowance, U.S. Appl. No. 29/388,372, Jul. 14, 2011, 5 pgs.

Rothbaum, Notice of Allowance, U.S. Appl. No. 29/401,359, Nov. 15, 2012, 7 pgs.

Rothbaum, Notice of Allowance, U.S. Appl. No. 29/401,360, Sep. 28, 2012, 5 pgs.

Rothbaum, Notice of Allowance, U.S. Appl. No. 29/401,643, Sep. 18, 2012, 8 pgs.

Rothbaum, Notice of Allowance, U.S. Appl. No. 29/401,930, Nov. 23, 2012, 7 pgs.

Rothbaum, Office Action, U.S. Appl. No. 29/368,754, Jul. 19, 2011, 5 pgs.

CJD LLC, ISR/WO, PCT/US2010/031087, Apr. 29, 2011, 24 pgs.

Earbud Clips, www.wetjetset.com/store/item/42, printed Jun. 7, 2010, 3 pages.

Headphone Cable Tidy—Pack of 3—Accessories for PDA, Smartphone . . . , www.proporta.com/F02/PPF02P05.php?t_id=4452&t_mode=des . . . printed Jun. 7, 2010, 2 pages.

Quogue Capital LLC, ISR/WO, PCT/US2009/067927, Jul. 14, 2010, 8 pgs.

Rothbaum, ISR/WO, PCT/US2010/053244, Jun. 24, 2011, 22 pgs.

Sumajin SmartWrap Earphone Cord Manager, www.ilounge.com/index.php/reviews/entry/surnajin-smartwrap . . . , printed Jun. 7, 2010, 3 pages.

Use Magnetic Paper Clips to Keep Cords from Tangling, www.geeksugar.com/Use-Magnetic-Paper-Clips-Keep-Cords-From-Tangling, printed Jun. 7, 2010, 5 pages.

* cited by examiner

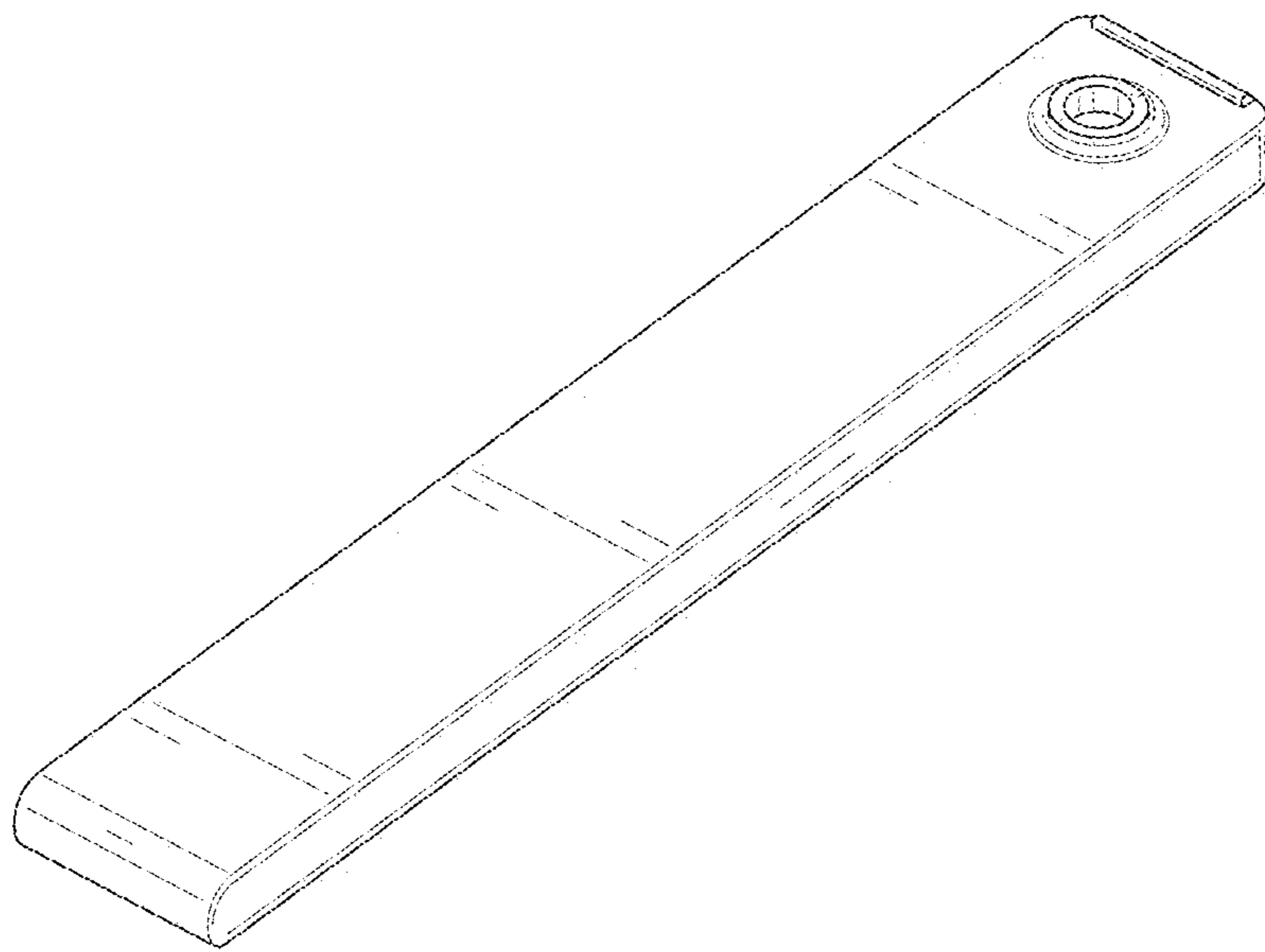


FIG. 1

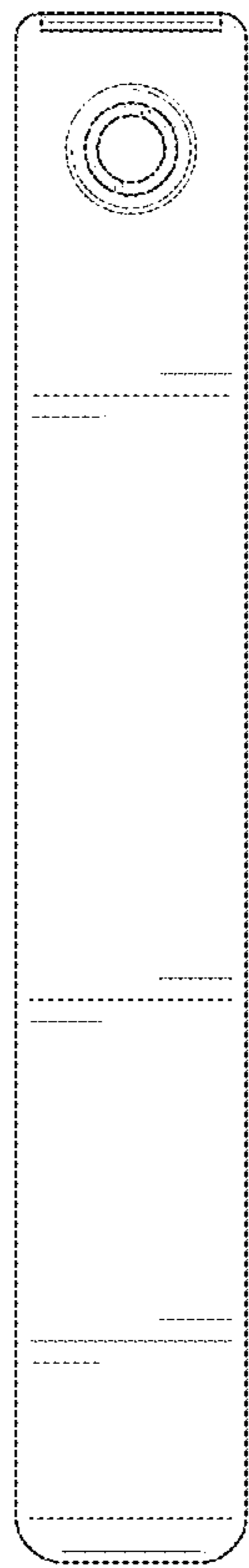


FIG. 2



FIG. 3

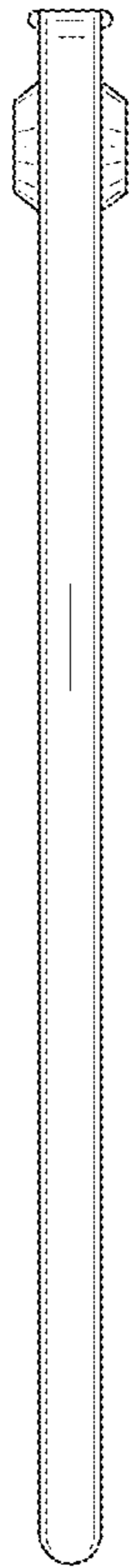


FIG. 4

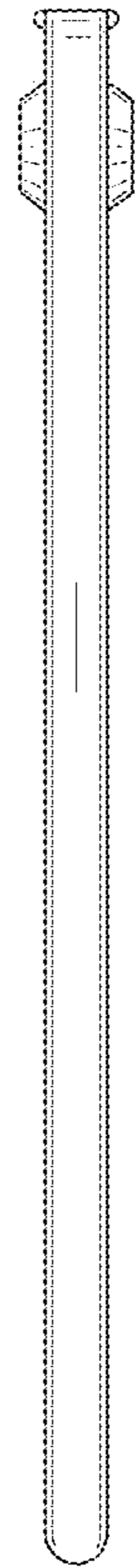


FIG. 5

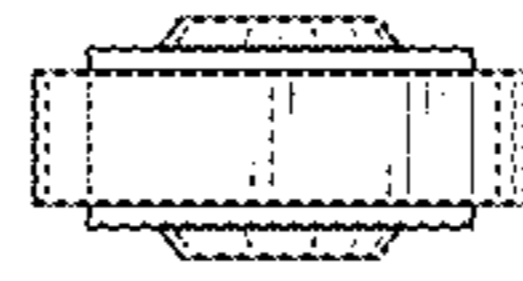


FIG. 6

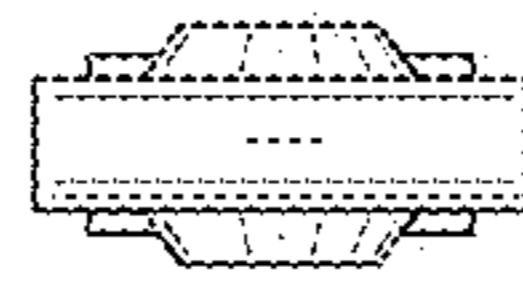


FIG. 7