



US00D685253S

(12) **United States Design Patent**
Hiebert

(10) **Patent No.:** **US D685,253 S**

(45) **Date of Patent:** **** Jul. 2, 2013**

(54) **RADIO MOUNTING BRACKET**

(76) Inventor: **Curtis Hiebert**, Sperling (CA)

(**) Term: **14 Years**

(21) Appl. No.: **29/403,782**

(22) Filed: **Oct. 11, 2011**

(51) **LOC (9) Cl.** **08-05**

(52) **U.S. Cl.**
USPC **D8/354**; D8/349; D8/366

(58) **Field of Classification Search**
USPC D8/349, 354, 380, 382, 366; 248/300,
248/237, 309.1; 52/188, 182, 191, 702, 712,
52/745.06, 189, 506.5, 586.1; 29/428, 525.01,
29/464; 249/14, 205, 208; 403/167, 169
See application file for complete search history.

(56) **References Cited**

U.S. PATENT DOCUMENTS

D246,585 S *	12/1977	Parduhn	D14/238
D248,026 S *	5/1978	Gostomski	D14/238
D275,178 S *	8/1984	Yeater	D8/380
D312,205 S *	11/1990	de Rooij	D8/373
D327,642 S *	7/1992	Foubister	D8/373
D337,720 S *	7/1993	Handwerger et al.	D8/373
D349,041 S *	7/1994	Wical	D8/373
D360,544 S *	7/1995	Gauthier	D6/411
D381,338 S *	7/1997	Johansson	D14/253
D384,877 S *	10/1997	Perrin et al.	D8/354
D397,667 S *	9/1998	White	D12/223
D409,077 S *	5/1999	Brooks	D8/354
D483,250 S *	12/2003	Klein et al.	D8/373
D491,054 S *	6/2004	Caterinacci, Jr.	D8/381
D494,050 S *	8/2004	Klein et al.	D8/373
D494,051 S *	8/2004	Klein et al.	D8/373

D494,454 S *	8/2004	Klein et al.	D8/373
D520,322 S *	5/2006	Orlando	D8/70
D531,489 S *	11/2006	Concari et al.	D8/373
D596,015 S *	7/2009	Scarcello	D8/366
D615,387 S *	5/2010	Prichard	D8/354
D615,388 S *	5/2010	Prichard	D8/354
D648,031 S *	11/2011	Roggenkamp	D24/184
D650,082 S *	12/2011	Roggenkamp	D24/184
D650,483 S *	12/2011	Roggenkamp	D24/184
D655,419 S *	3/2012	Roggenkamp	D24/184
D667,249 S *	9/2012	London	D6/553
D672,287 S *	12/2012	Noble et al.	D12/159

* cited by examiner

Primary Examiner — Mark Goodwin

(74) *Attorney, Agent, or Firm* — Adrian D. Battison; Ade & Company Inc.

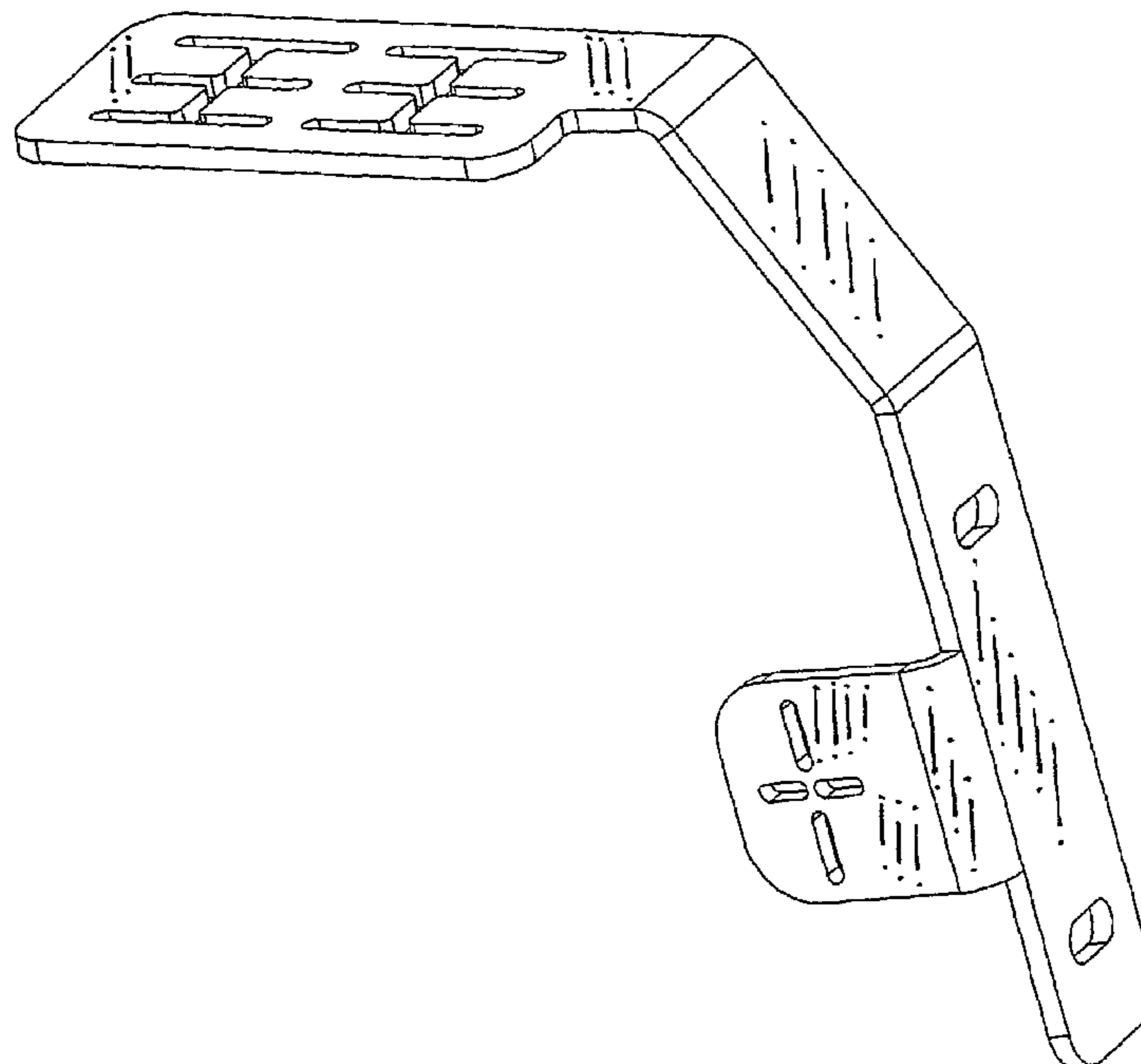
(57) **CLAIM**

The ornamental design for a radio mounting bracket, as shown and described.

DESCRIPTION

FIG. 1 is a first isometric view from the bottom and a first side of the radio mounting bracket showing my new design;
 FIG. 2 is a second isometric view from the top and a second side of the radio mounting bracket.
 FIG. 3 is a front elevational view of the radio mounting bracket.
 FIG. 4 is a rear elevational view of the radio mounting bracket.
 FIG. 5 is a bottom plan view of the radio mounting bracket.
 FIG. 6 is a top plan view of the radio mounting bracket.
 FIG. 7 is a right side view of the radio mounting bracket; and,
 FIG. 8 is a left side view of the radio mounting bracket.

1 Claim, 8 Drawing Sheets



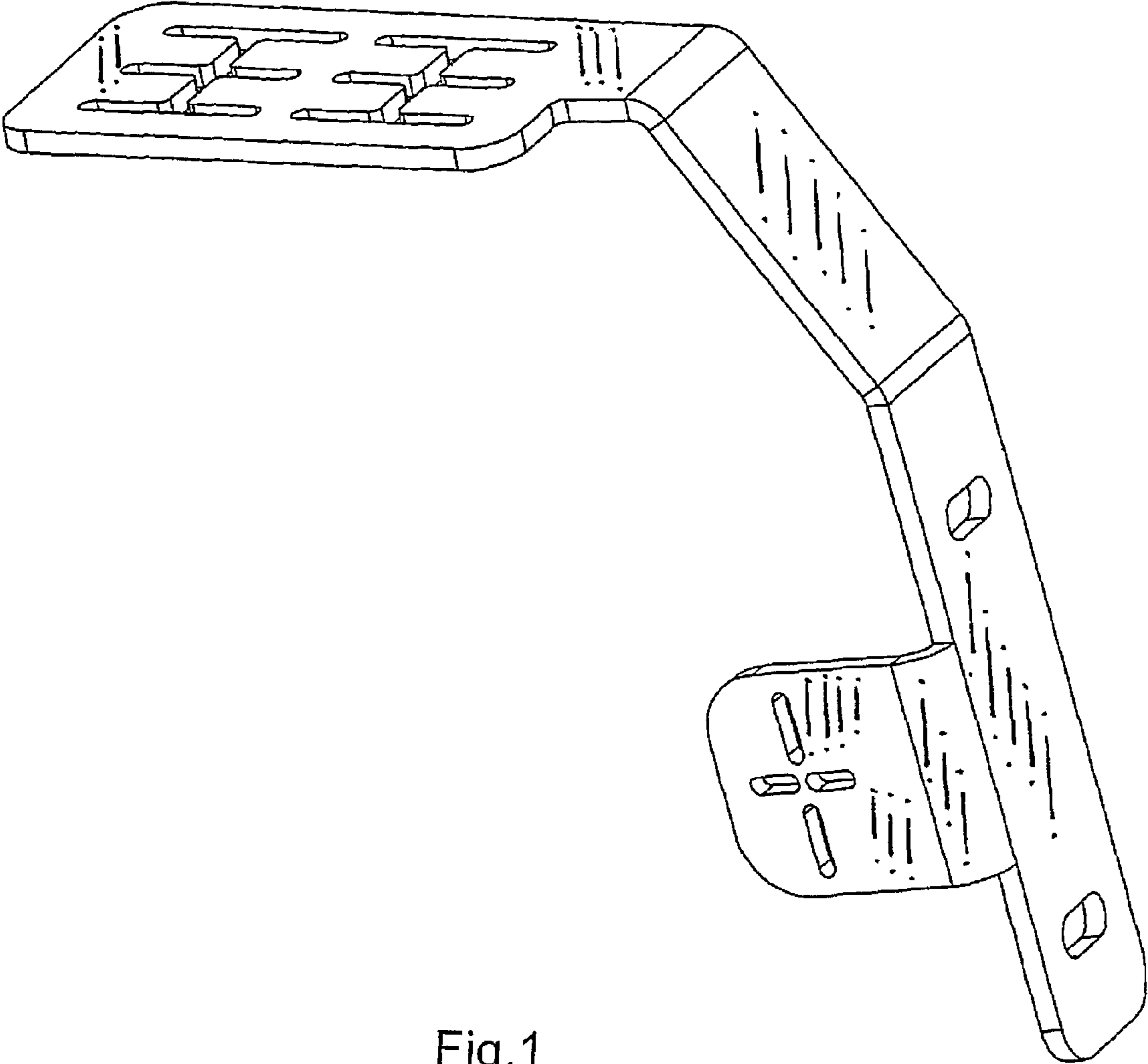


Fig. 1

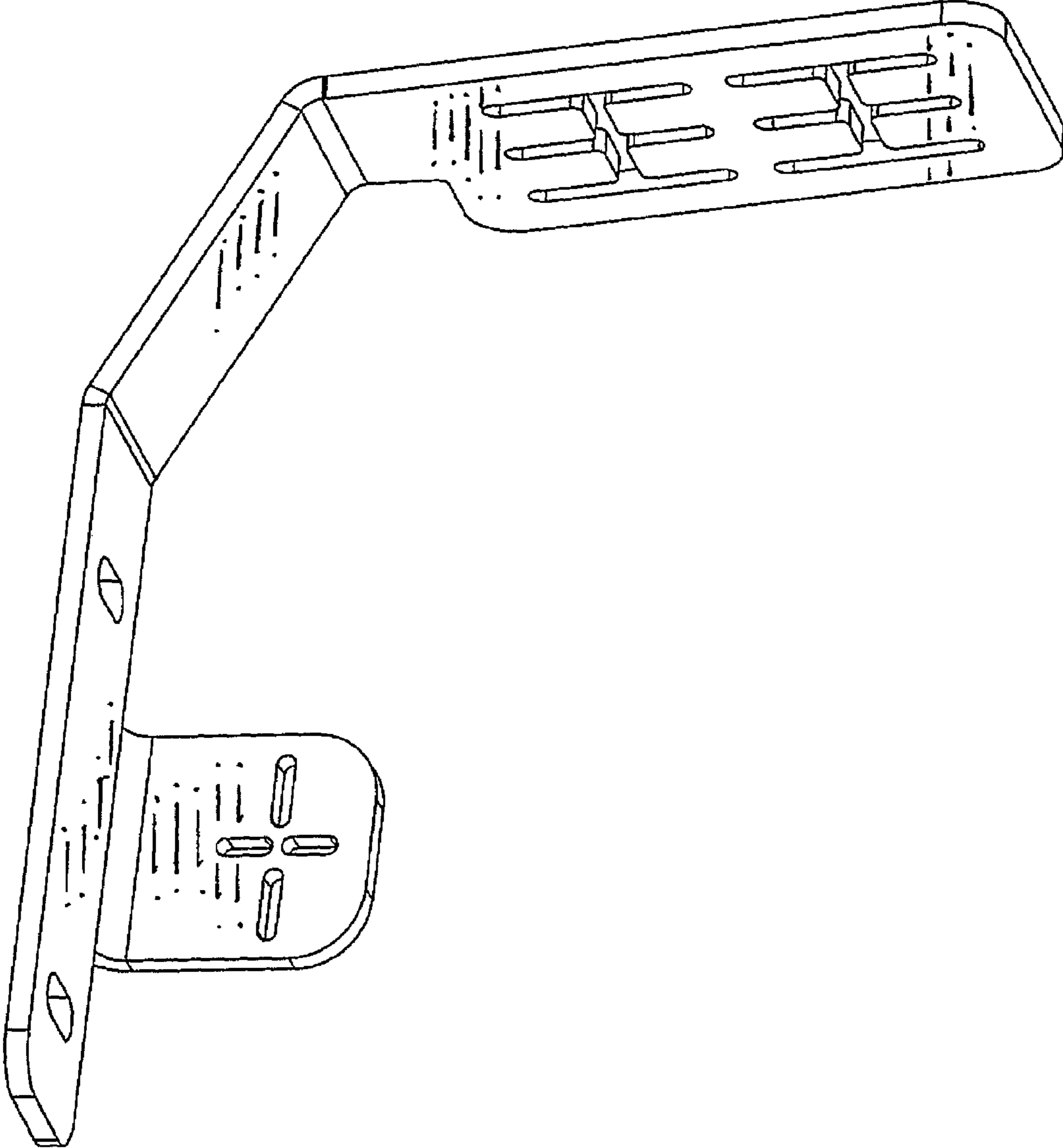


Fig.2

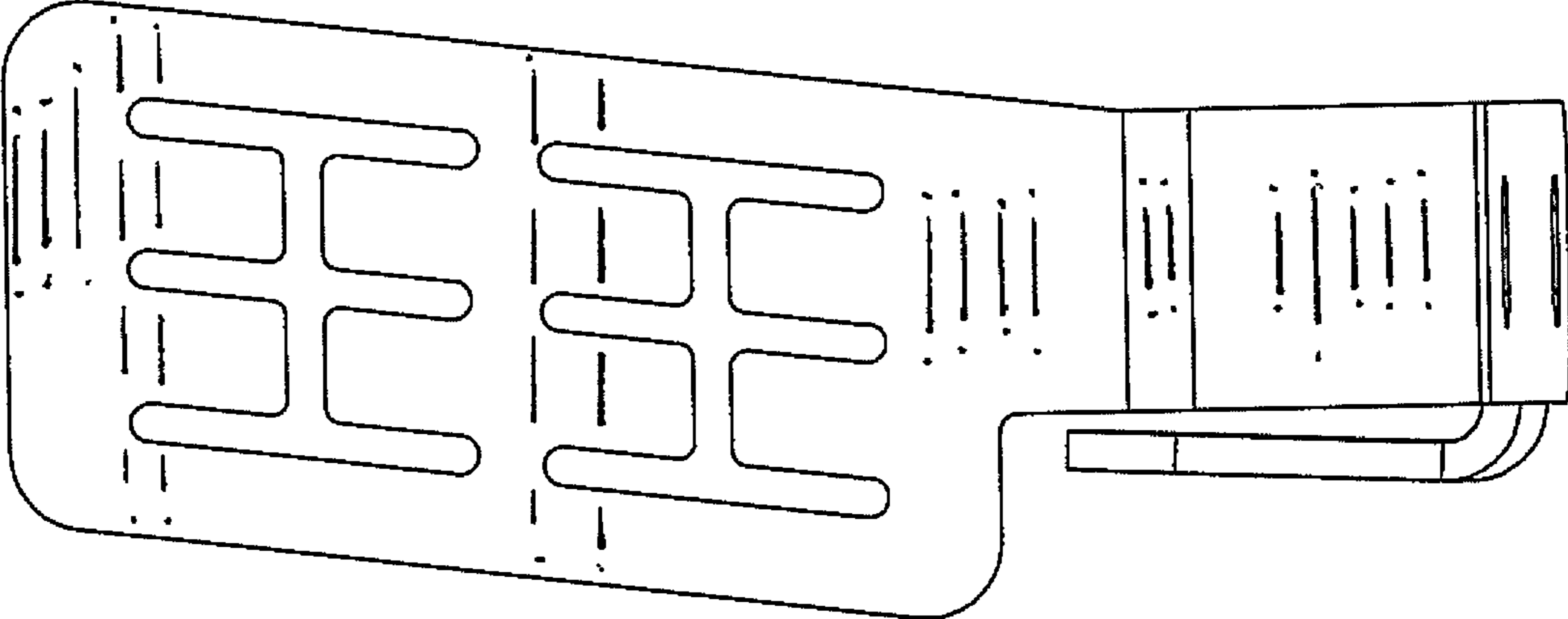


Fig.3

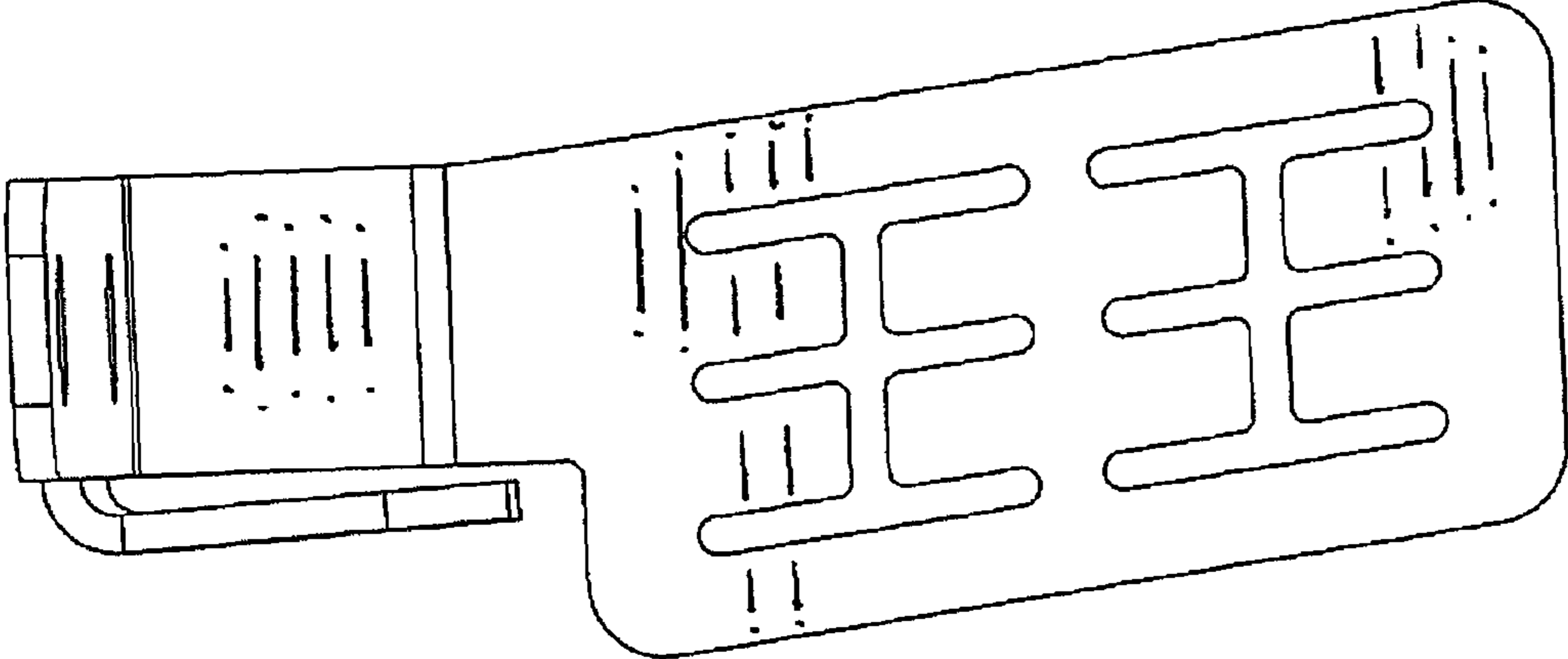


Fig.4

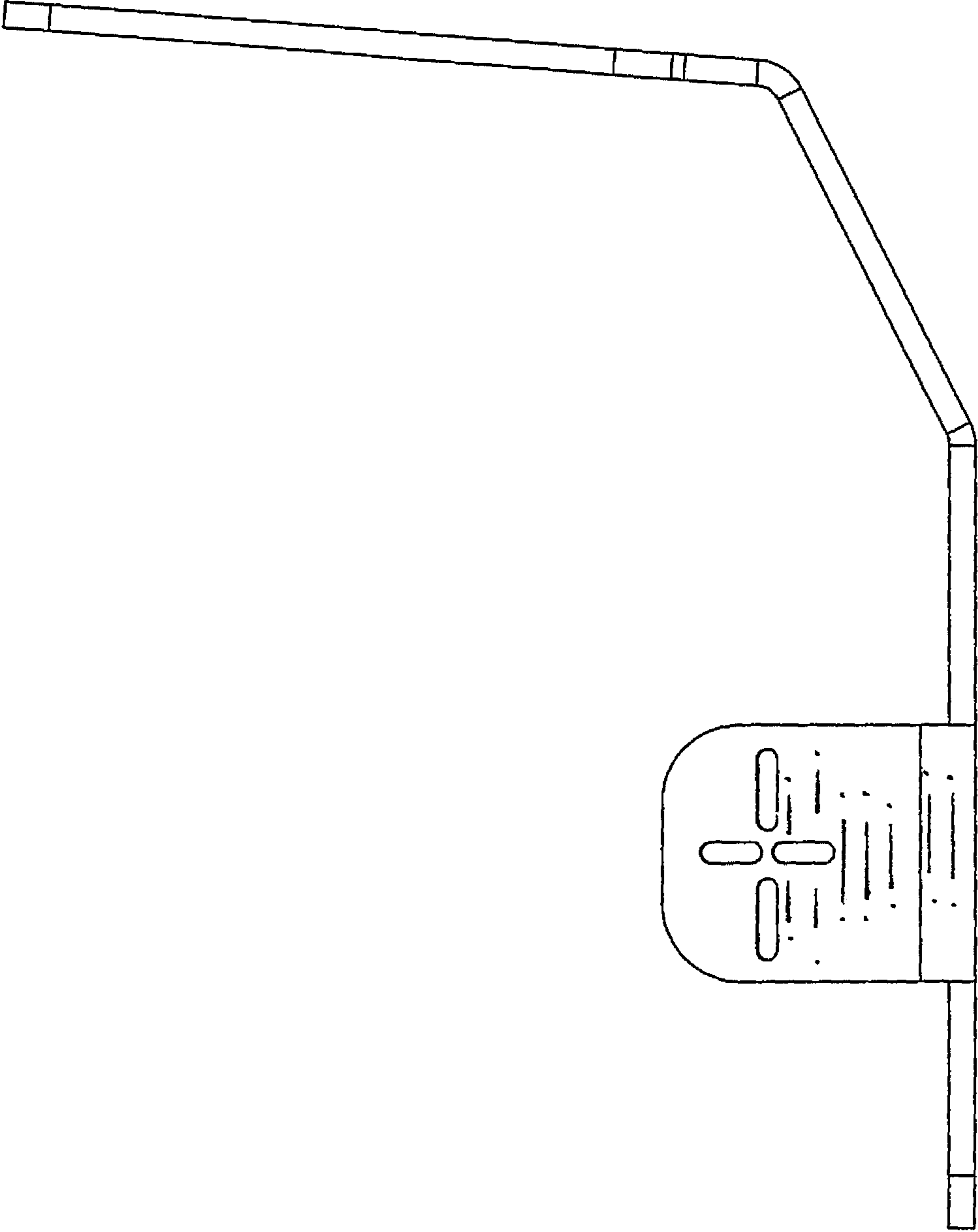


Fig.5

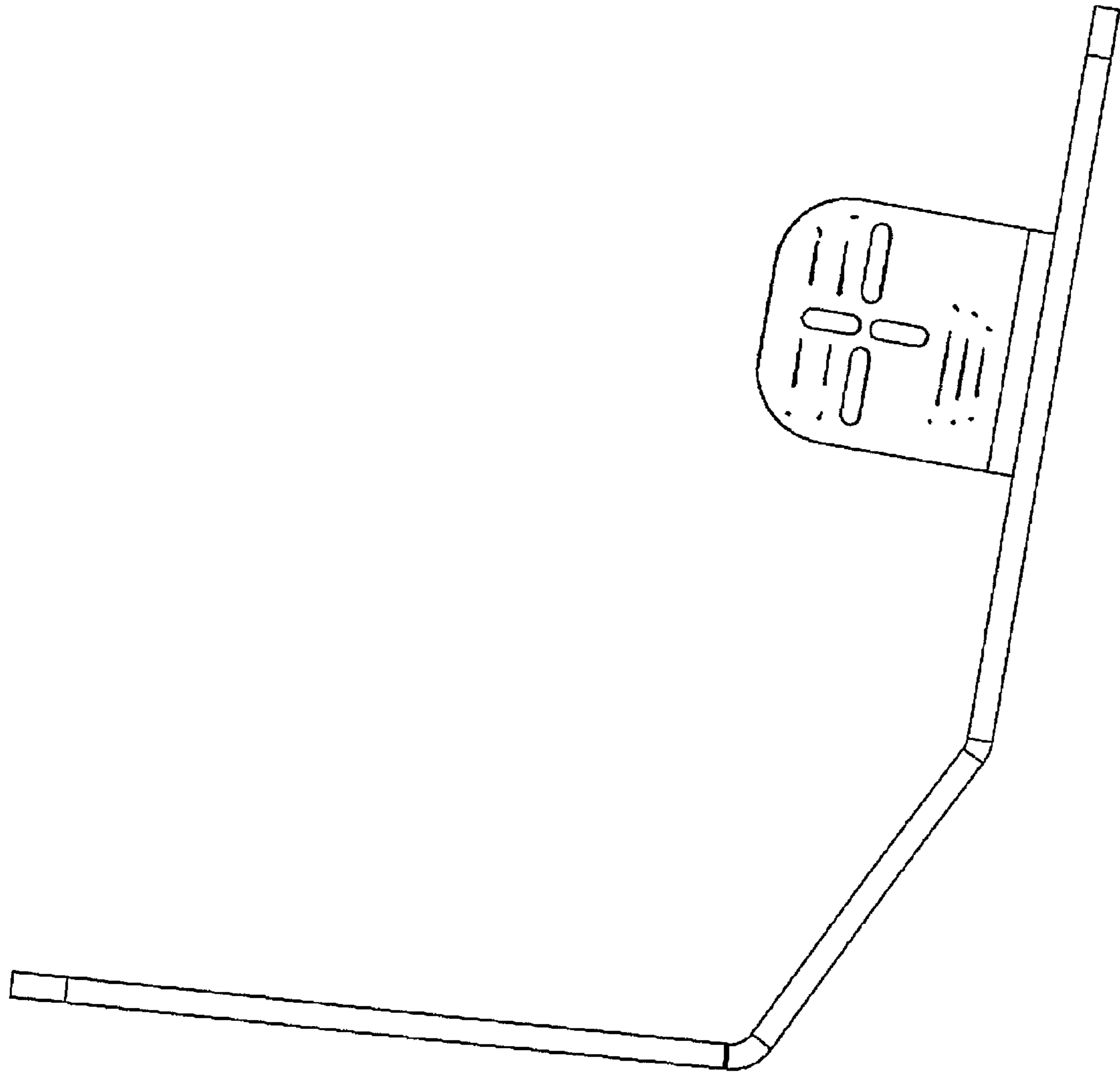


Fig.6

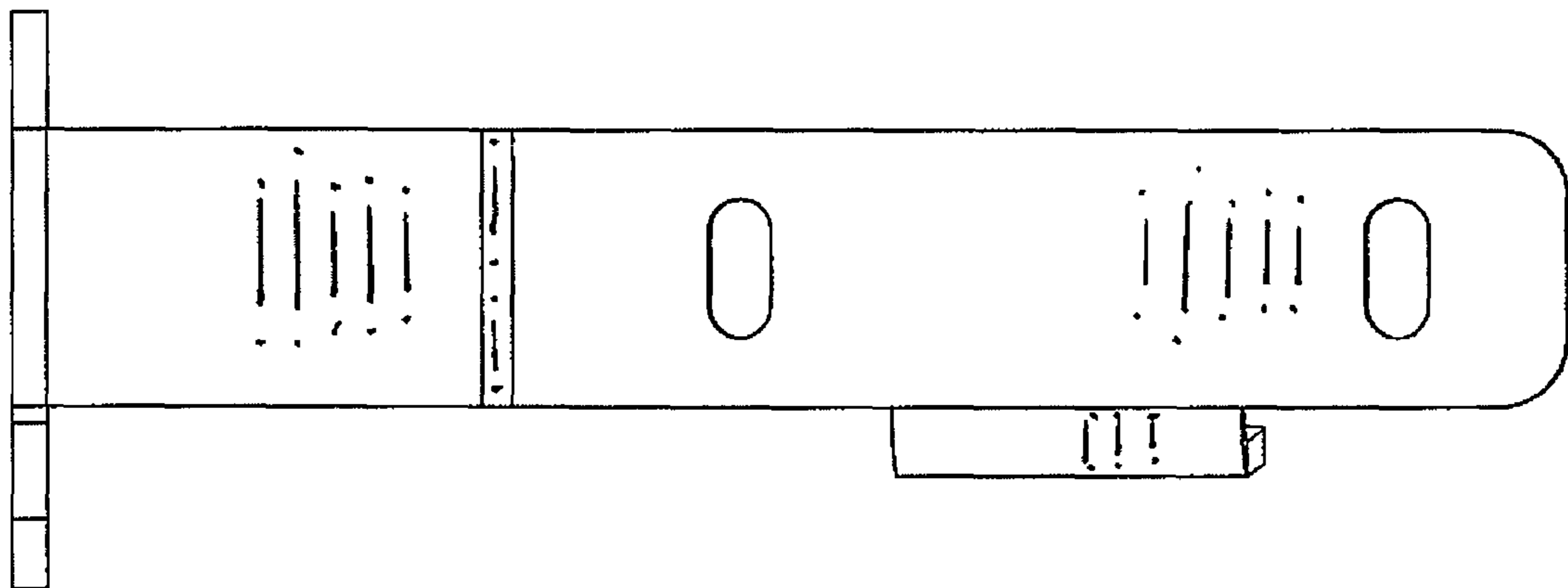


Fig.7

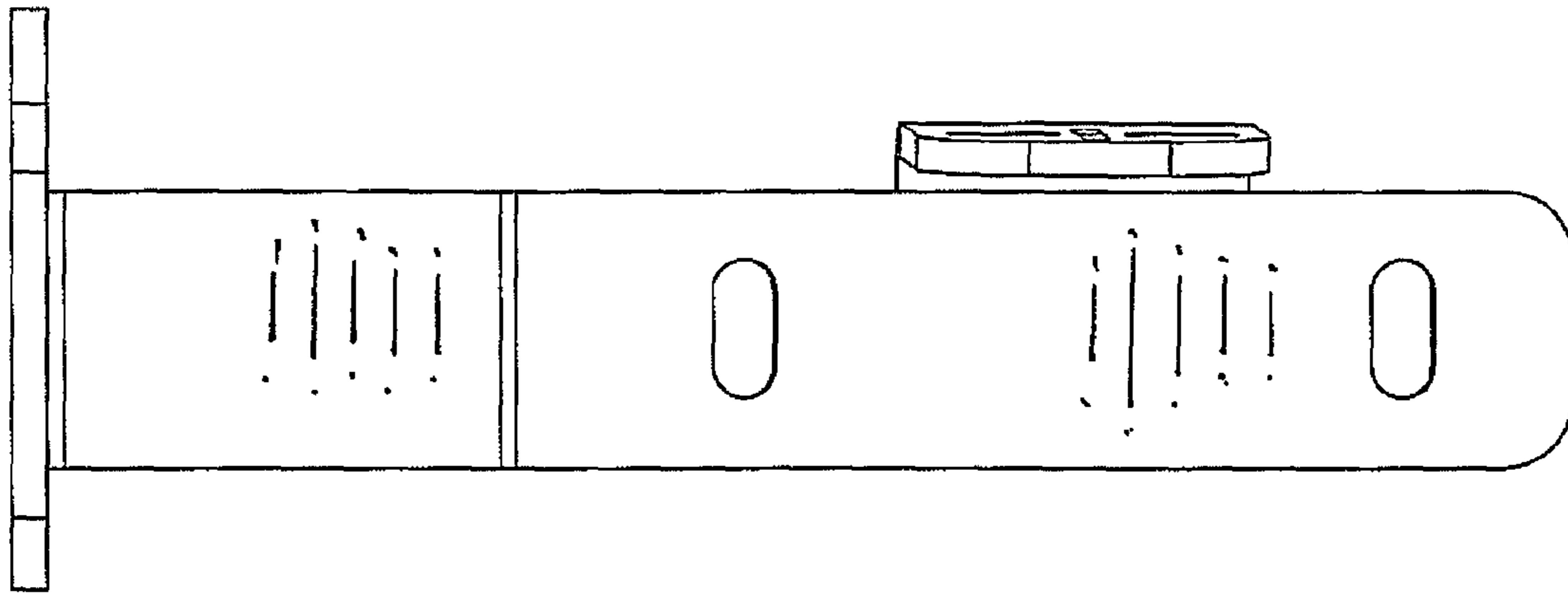


Fig.8