



US00D685252S

(12) **United States Design Patent**  
**Stevens et al.**

(10) **Patent No.:** **US D685,252 S**  
(45) **Date of Patent:** **\*\* Jul. 2, 2013**

- (54) **LOCK**
- (75) Inventors: **Scott B. Stevens**, St. Francis, WI (US);  
**Zachery T. Nave**, Oak Creek, WI (US)
- (73) Assignee: **Master Lock Company LLC**, Oak  
Creek, WI (US)
- (\*\*) Term: **14 Years**
- (21) Appl. No.: **29/431,626**
- (22) Filed: **Sep. 10, 2012**

4,421,311 A	12/1983	Sebesteny	
4,422,311 A *	12/1983	Zabel et al.	70/25
D276,408 S	11/1984	Zabel et al.	
4,754,626 A	7/1988	Siegel	
5,345,794 A	9/1994	Jenks	
D360,348 S	7/1995	Kusmiss	
5,522,243 A	6/1996	Kusmiss	
5,572,890 A	11/1996	Carpenter	
D396,798 S	8/1998	Adelmeyer et al.	
D397,026 S	8/1998	Drake	
D416,467 S	11/1999	Castellanos et al.	
D426,763 S	6/2000	Adler et al.	
D427,884 S	7/2000	Castellanos et al.	
D433,314 S	11/2000	Mimlitch et al.	
D435,428 S	12/2000	Ling	

(Continued)

**Related U.S. Application Data**

- (62) Division of application No. 29/404,732, filed on Oct. 25, 2011, now Pat. No. Des. 673,836.
- (51) **LOC (9) Cl.** ..... **08-07**
- (52) **U.S. Cl.**  
USPC ..... **D8/343; D8/334**
- (58) **Field of Classification Search**  
USPC ..... D8/330, 331, 334, 333, 335, 339; 70/20,  
70/24-29, 31, 35, 38 R, 40-48, 14  
See application file for complete search history.

*Primary Examiner* — Prabhakar Deshmukh

(74) *Attorney, Agent, or Firm* — Calfee, Halter & Griswold LLP

(57) **CLAIM**

We claim the ornamental design for a lock, as shown and described.

**DESCRIPTION**

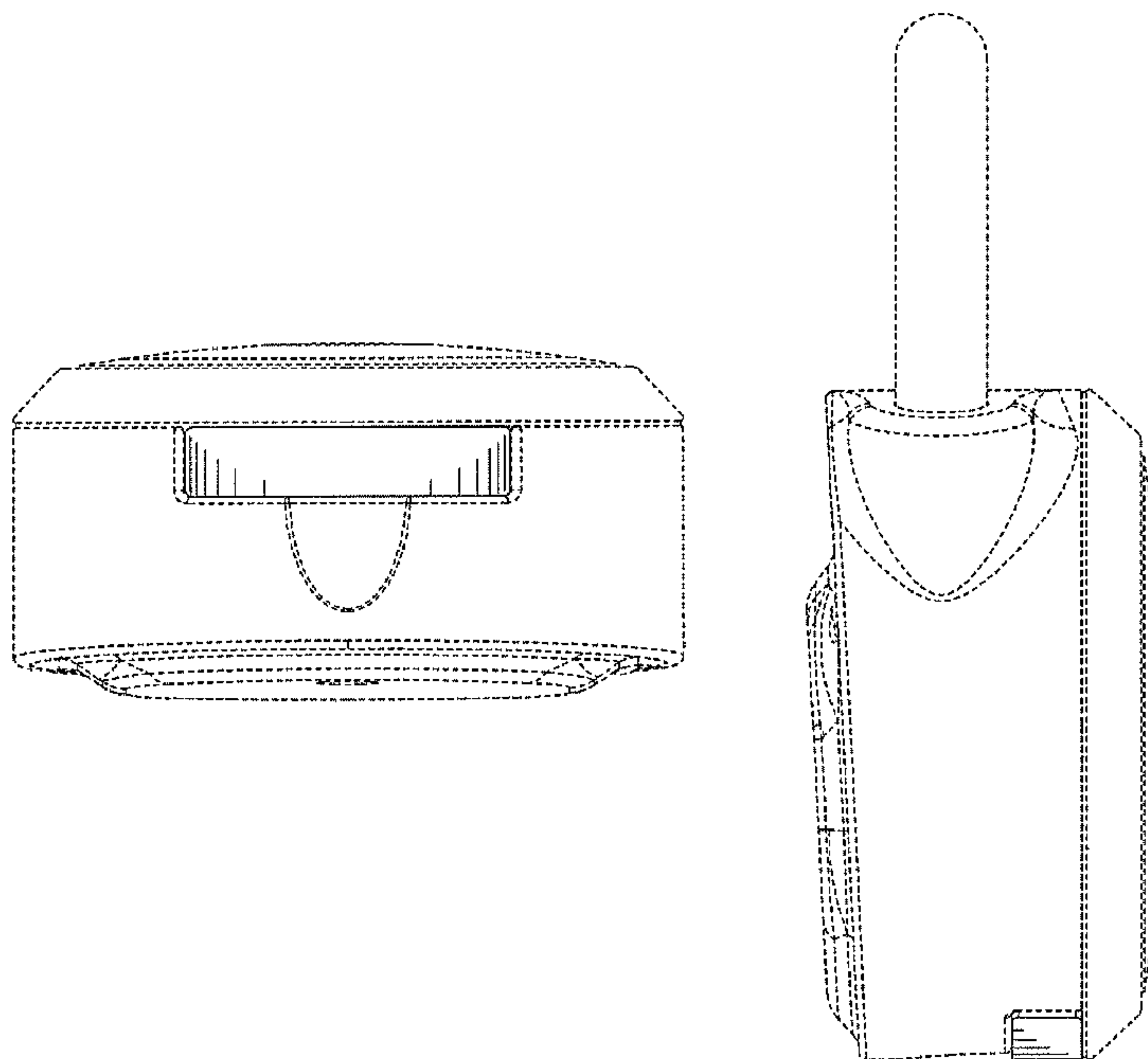
FIG. 1 is a front perspective view of a lock showing the new design;  
 FIG. 2 is a top view of the lock of FIG. 1;  
 FIG. 3 is a front view of the lock of FIG. 1;  
 FIG. 4 is a rear view of the lock of FIG. 1;  
 FIG. 5 is bottom view of the lock of FIG. 1;  
 FIG. 6 is a right side view of the lock of FIGS. 1; and,  
 FIG. 7 is a left side view of the lock of FIG. 1.  
 The portions of the Figures shown in broken lines are for illustrative purpose only and form no part of the claimed design.

(56) **References Cited**

**U.S. PATENT DOCUMENTS**

548,757 A	10/1895	Kellogg	
1,239,010 A	9/1917	Hodges	
1,415,327 A	5/1922	Fonos	
1,866,273 A	7/1932	Sinner	
1,902,214 A	3/1933	Buettner et al.	
1,942,454 A *	1/1934	Samburg	70/25
2,132,201 A	10/1938	Allman	
2,931,204 A	4/1969	Check	
3,952,559 A	4/1976	Atkinson	
4,224,813 A	9/1980	Hampton	

**1 Claim, 4 Drawing Sheets**



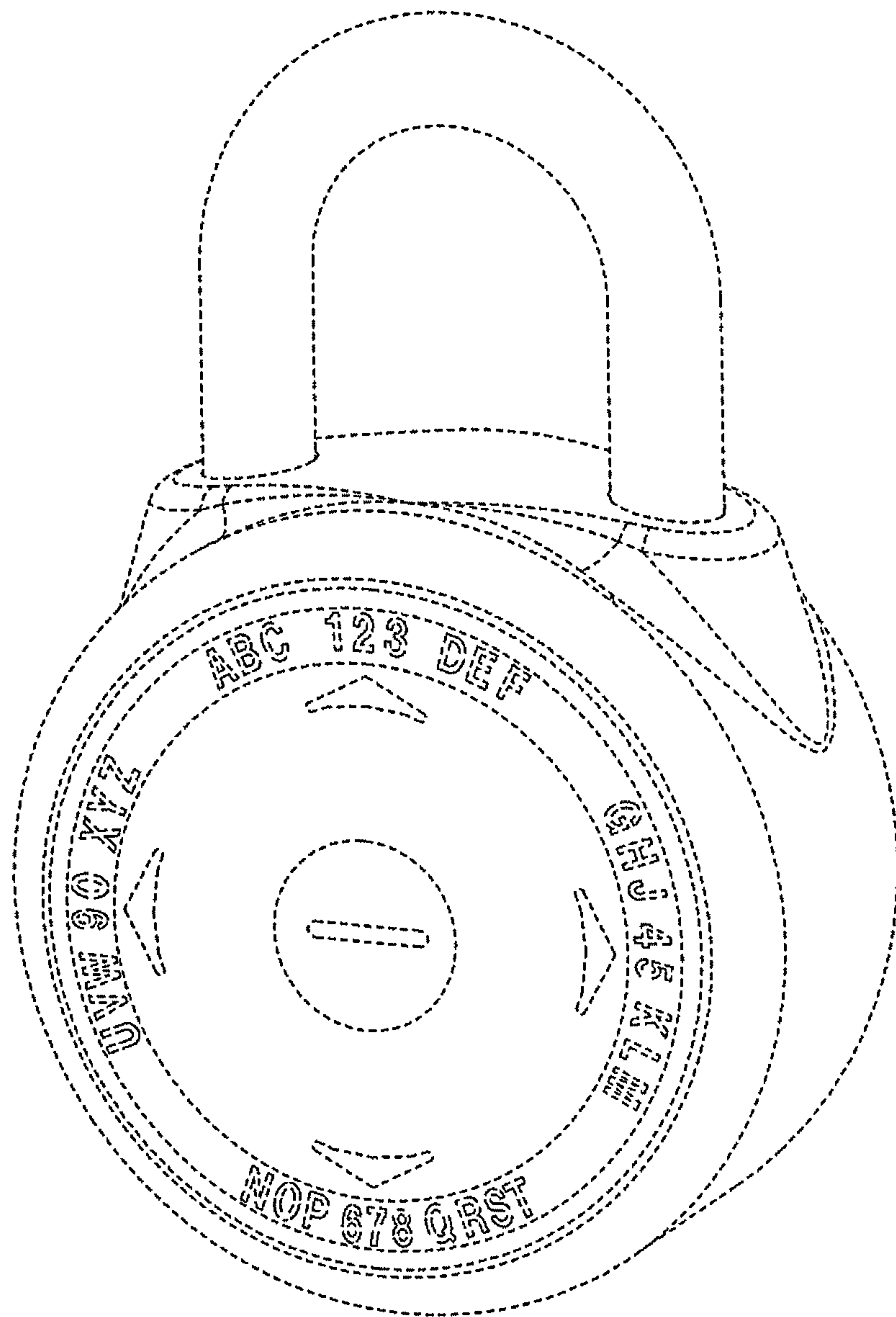
# US D685,252 S

Page 2

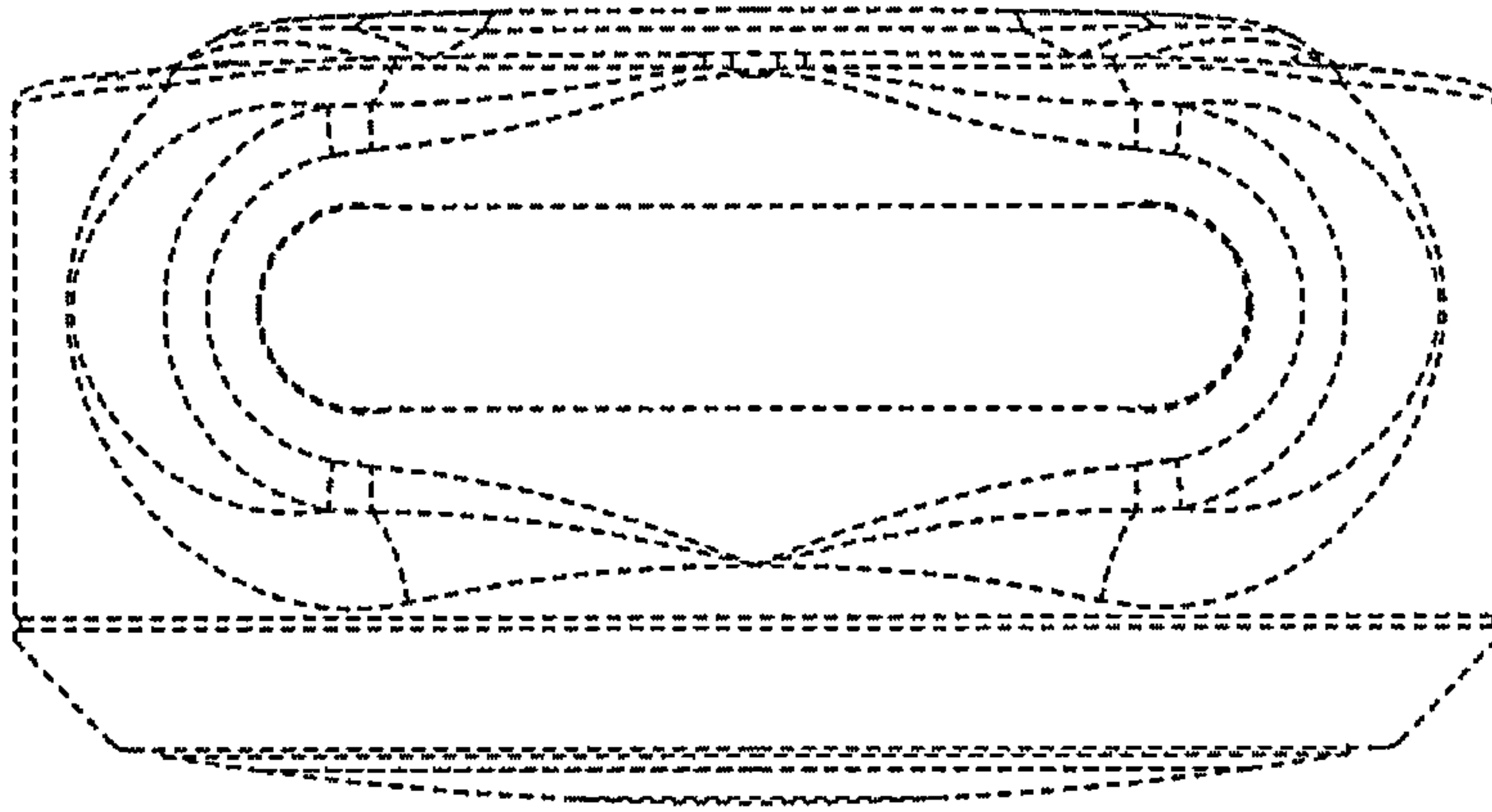
## U.S. PATENT DOCUMENTS

6,298,694	B1	10/2001	Knoll	D545,177	S	6/2007	Vito
D455,639	S	4/2002	McDaid et al.	D549,552	S	8/2007	Huang
6,401,501	B1	6/2002	Kajuch et al.	D557,107	S	* 12/2007	Van Handel et al. .... D8/334
D473,446	S	* 4/2003	Quan et al. .... D8/343	D558,025	S	* 12/2007	Rohde et al. .... D8/334
D476,216	S	6/2003	Vito	D567,628	S	4/2008	Rohde et al.
D488,050	S	4/2004	Fonfeder	D569,226	S	5/2008	Brewster et al.
6,718,803	B2	4/2004	Knoll	D573,871	S	7/2008	Nave et al.
D512,901	S	12/2005	Haber	D582,251	S	12/2008	Mackey et al.
6,993,943	B1	2/2006	Chang	D594,731	S	6/2009	Plato
7,047,772	B2	5/2006	Yu	D605,494	S	12/2009	Plato
D524,632	S	* 7/2006	Kearns et al. .... D8/334	D629,280	S	12/2010	Plato
D528,401	S	9/2006	Ruan	D637,062	S	5/2011	Plato
D533,764	S	12/2006	Heppner	D638,279	S	5/2011	Plato
D537,703	S	3/2007	Kearns et al.	D646,953	S	10/2011	Schmidt et al.
D541,228	S	4/2007	Thursfield	D662,394	S	6/2012	Schmidt et al.
D541,630	S	5/2007	Blomstrom et al.				

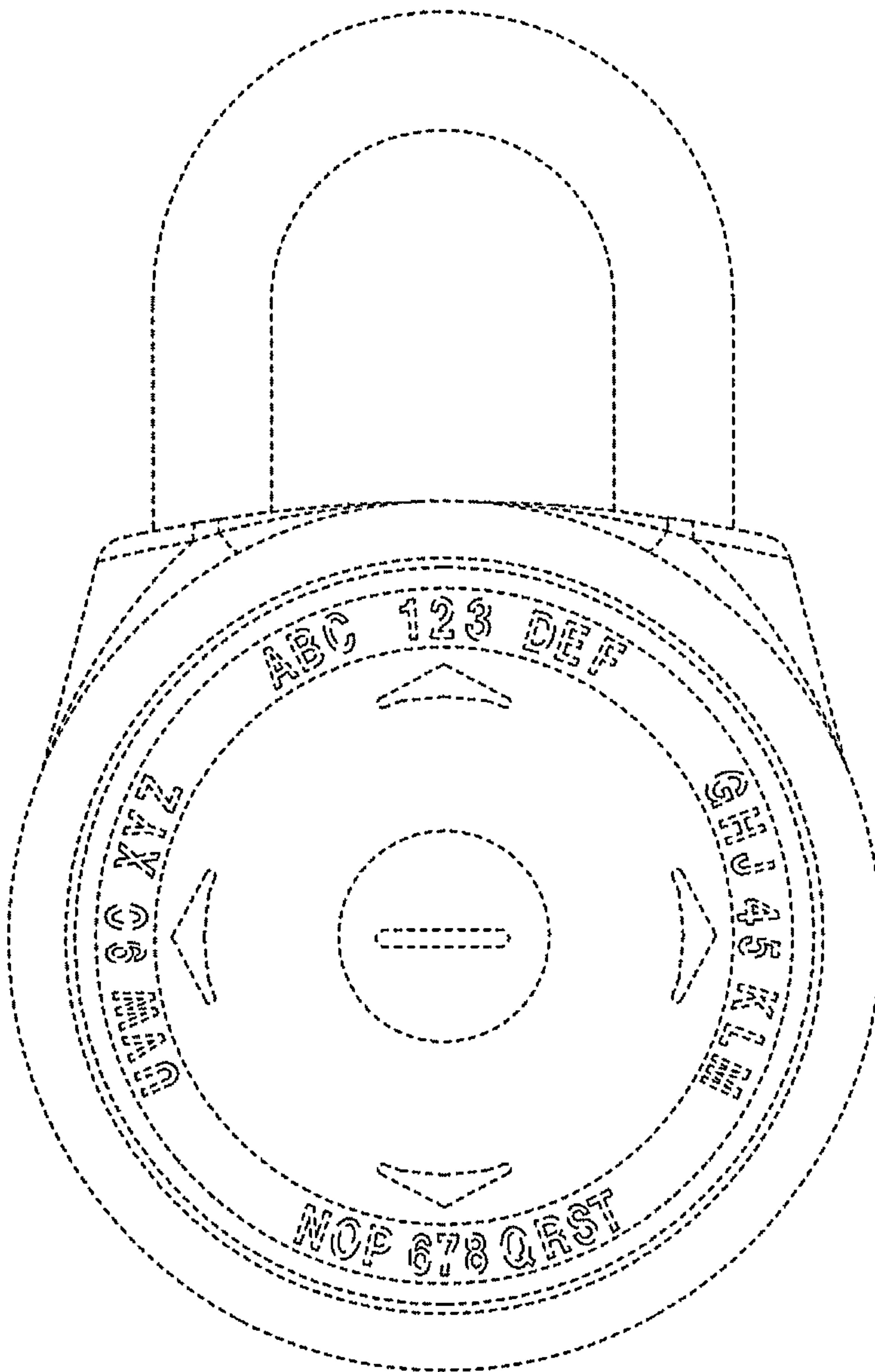
\* cited by examiner



**FIG. 1**

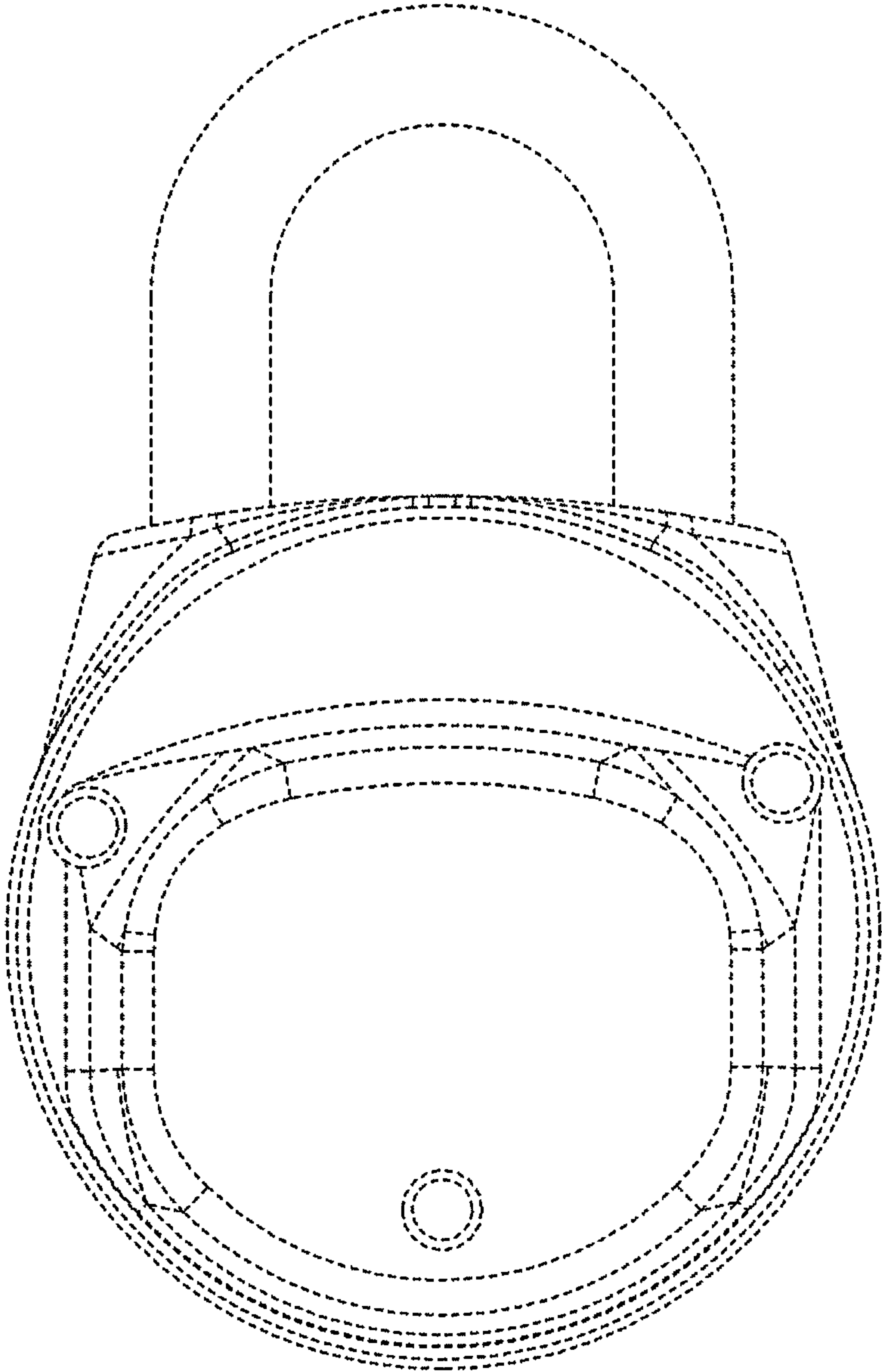


**FIG. 2**

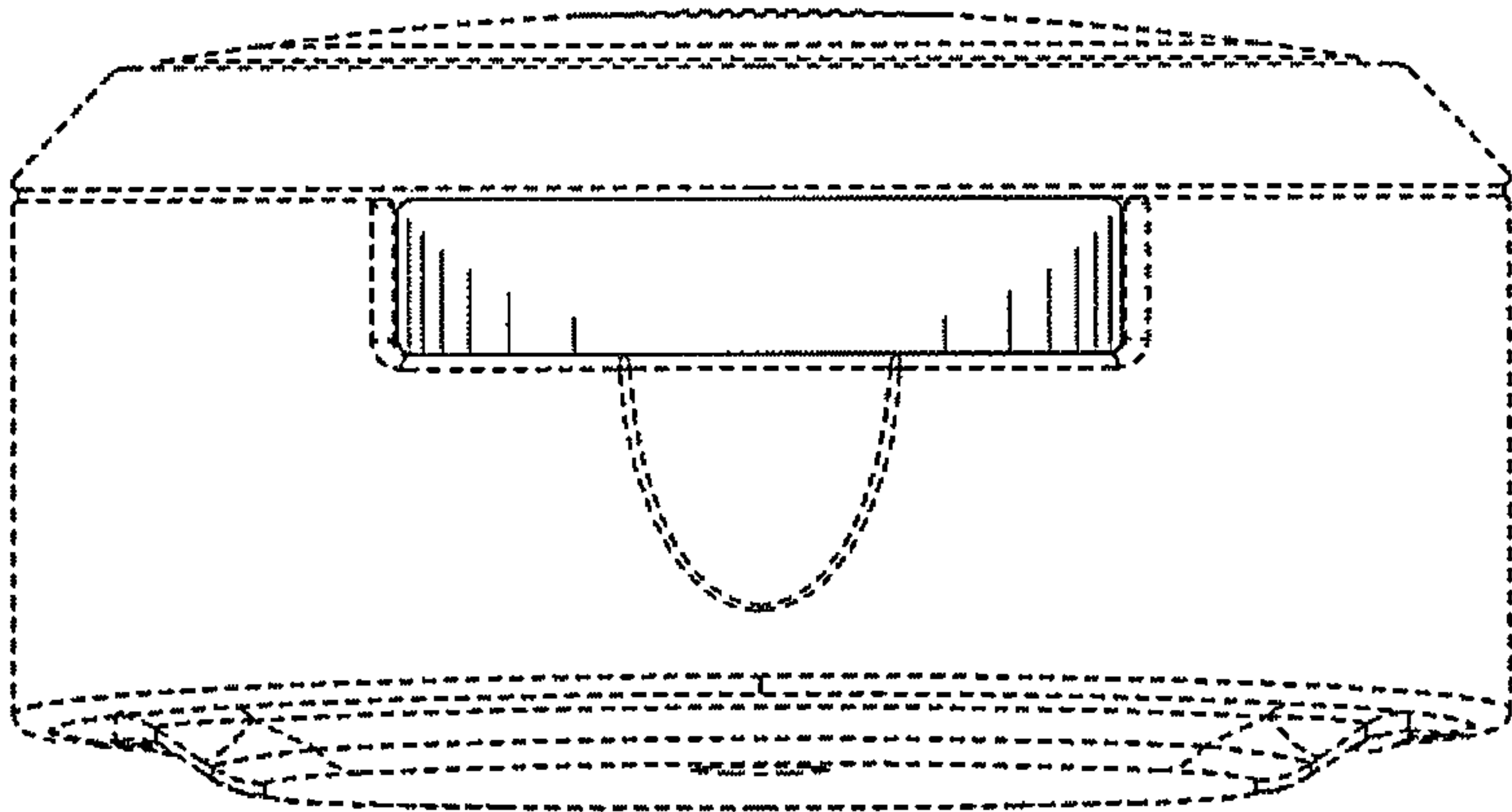


**FIG. 3**

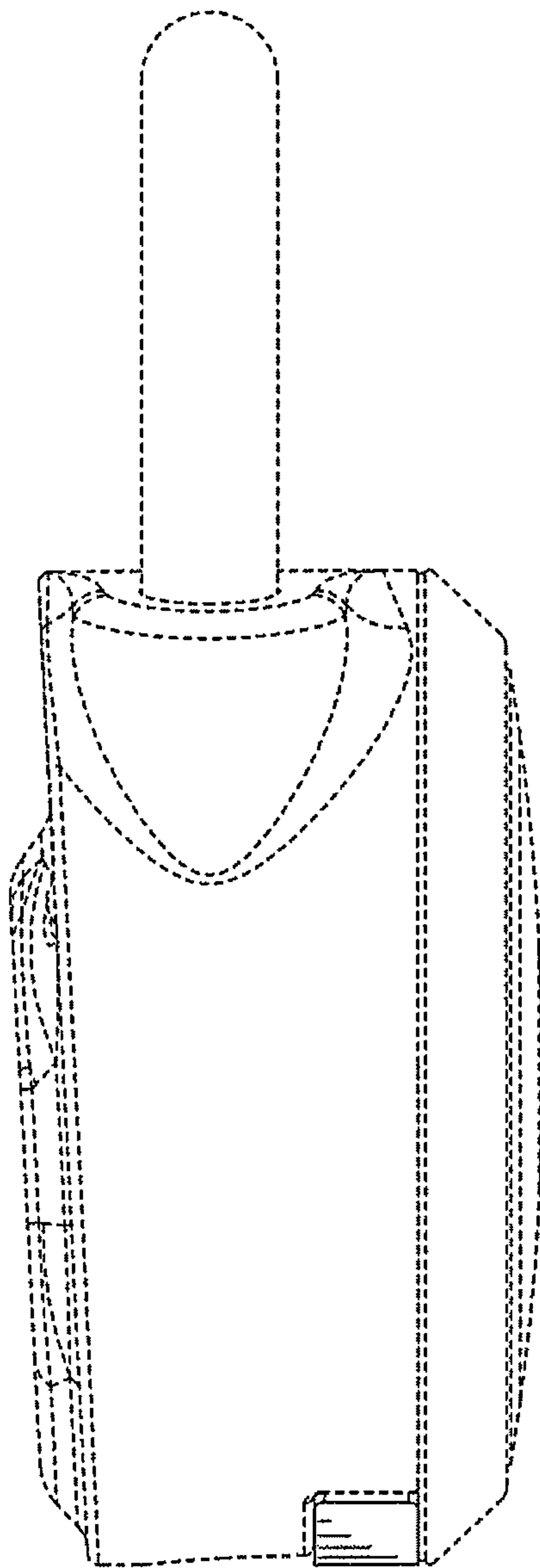




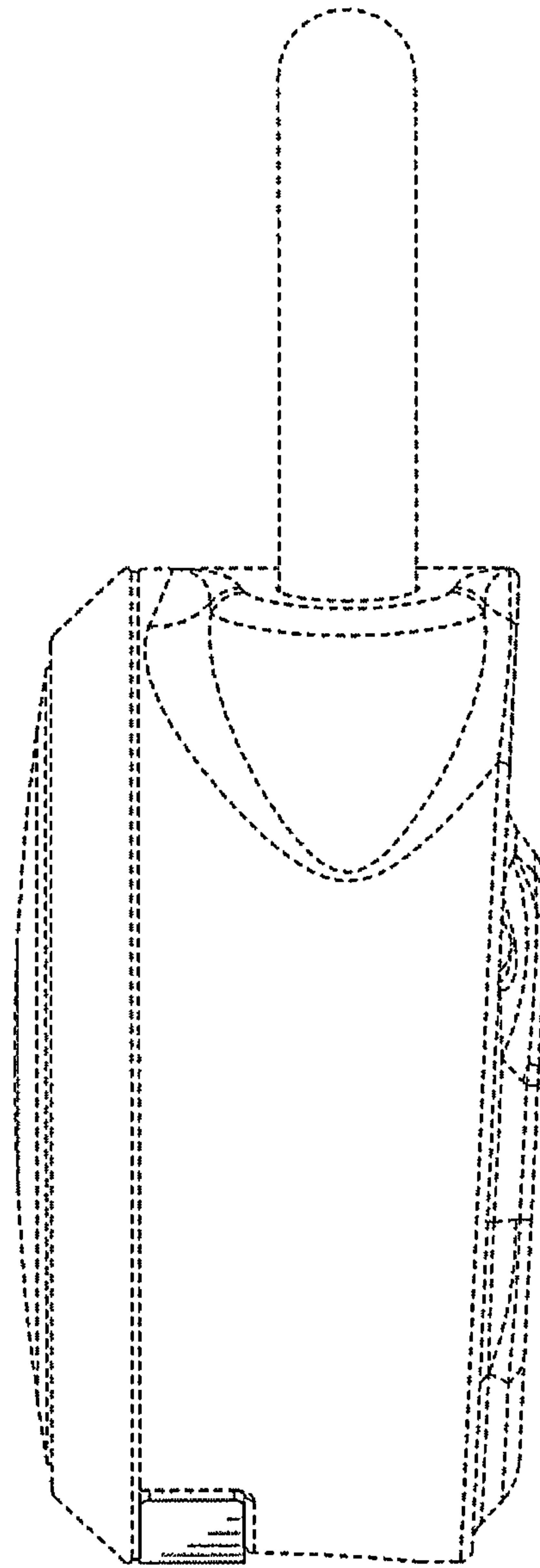
**FIG. 4**



**FIG. 5**



**FIG. 6**



**FIG. 7**