



US00D685250S

(12) **United States Design Patent**
Stevens et al.

(10) **Patent No.:** **US D685,250 S**
(45) **Date of Patent:** **** Jul. 2, 2013**

(54) **LOCK**
(75) Inventors: **Scott B. Stevens**, St. Francis, WI (US);
Zachery T. Nave, Oak Creek, WI (US)
(73) Assignee: **Master Lock Company LLC**, Oak
Creek, WI (US)
(**) Term: **14 Years**

4,421,311 A 12/1983 Sebesteny
4,422,311 A * 12/1983 Zabel et al. 70/25
D276,408 S 11/1984 Zabel et al.
4,754,626 A 7/1988 Siegel
5,345,794 A 9/1994 Jenks
D360,348 S 7/1995 Kusmiss
5,522,243 A 6/1996 Kusmiss
5,572,890 A 11/1996 Carpenter
D396,798 S 8/1998 Adelmeyer et al.
D397,026 S 8/1998 Drake
D416,467 S 11/1999 Castellanos et al.

(21) Appl. No.: **29/431,787**

(Continued)

(22) Filed: **Sep. 11, 2012**

FOREIGN PATENT DOCUMENTS

JP 76401 10/1937

Related U.S. Application Data

Primary Examiner — Prabhakar Deshmukh

(62) Division of application No. 29/404,732, filed on Oct.
25, 2011, now Pat. No. Des. 673,836.

(74) *Attorney, Agent, or Firm* — Calfee, Halter & Griswold
LLP

(51) **LOC (9) Cl.** **08-07**

(57) **CLAIM**

(52) **U.S. Cl.**
USPC **D8/334**; D8/343

We claim the ornamental design for a lock, as shown and
described.

(58) **Field of Classification Search**
USPC D8/330, 331, 334, 333, 335, 339; 70/20,
70/24–29, 31, 35, 38 R, 40–48, 14
See application file for complete search history.

DESCRIPTION

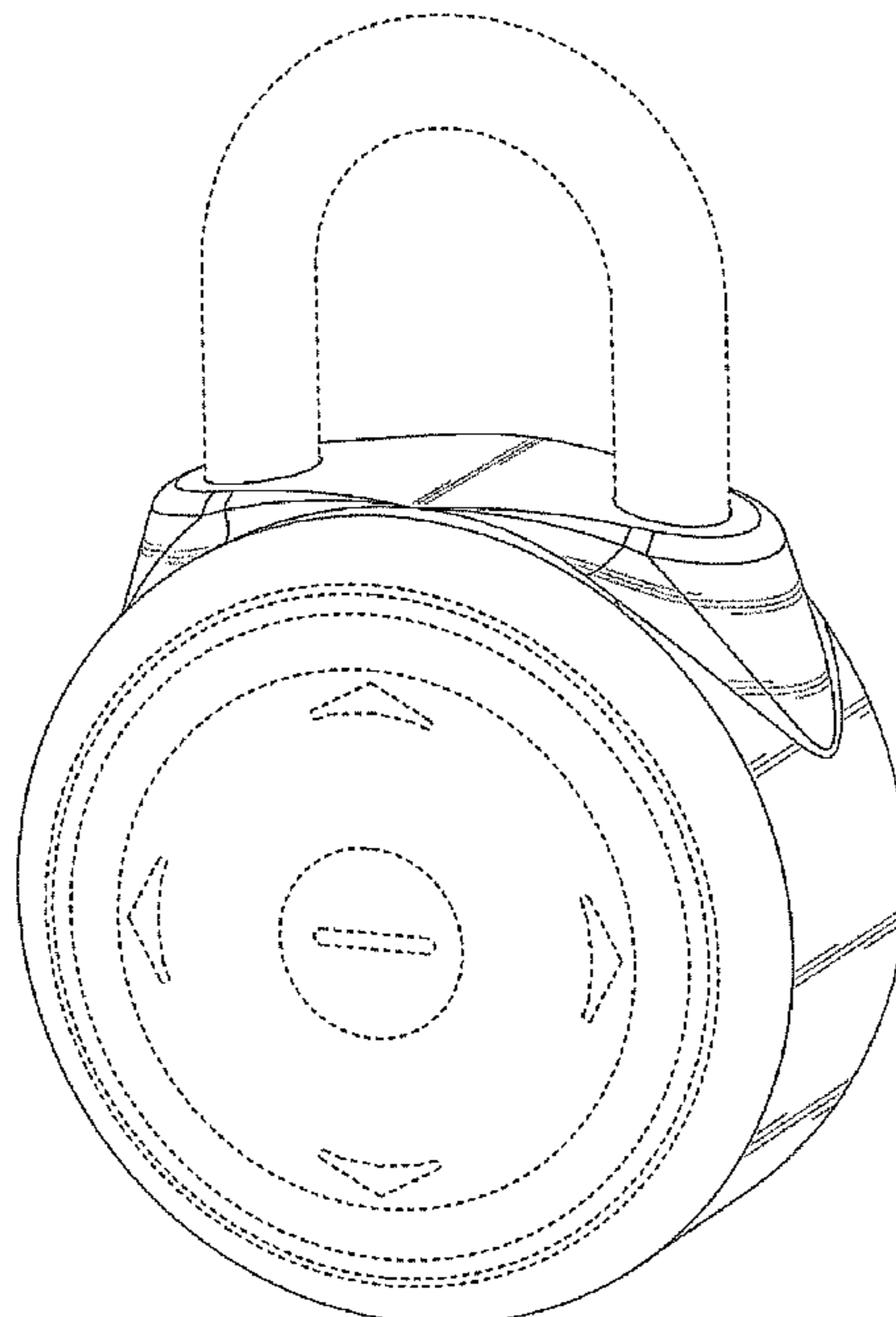
(56) **References Cited**

FIG. 1 is a front perspective view of a lock showing the new
design;
FIG. 2 is a top view of the lock of FIG. 1;
FIG. 3 is a front view of the lock of FIG. 1;
FIG. 4 is a rear view of the lock of FIG. 1;
FIG. 5 is a bottom view of the lock of FIG. 1;
FIG. 6 is a right side view of the lock of FIG. 1; and,
FIG. 7 is a left side view of the lock of FIG. 1.
The portions of the Figures shown in broken lines are for
illustrative purpose only and form no part of the claimed
design.

U.S. PATENT DOCUMENTS

548,757 A 10/1895 Kellogg
1,239,010 A 9/1917 Hodges
1,415,327 A 5/1922 Fonos
1,866,273 A 7/1932 Sinner
1,902,214 A 3/1933 Buettner et al.
1,942,454 A * 1/1934 Samburg 70/25
2,132,201 A 10/1938 Allman
2,931,204 A 4/1969 Check
3,952,559 A 4/1976 Atkinson
4,224,813 A 9/1980 Hampton

1 Claim, 4 Drawing Sheets



US D685,250 S

Page 2

U.S. PATENT DOCUMENTS

D426,763 S	6/2000	Adler et al.	
D427,884 S	7/2000	Castellanos et al.	
D433,314 S	11/2000	Mimlitch et al.	
D435,428 S	12/2000	Ling	
6,298,694 B1	10/2001	Knoll	
D455,639 S	4/2002	McDaid et al.	
6,401,501 B1	6/2002	Kajuch et al.	
D473,446 S *	4/2003	Quan et al.	D8/343
D476,216 S	6/2003	Vito	
D488,050 S	4/2004	Fonfeder	
6,718,803 B2	4/2004	Knoll	
D512,901 S	12/2005	Haber	
6,993,943 B1	2/2006	Chang	
7,047,772 B2	5/2006	Yu	
D524,632 S *	7/2006	Kearns et al.	D8/334
D528,401 S	9/2006	Ruan	
D533,764 S	12/2006	Heppner	
D537,703 S	3/2007	Kearns et al.	
D541,228 S	4/2007	Thursfield	
D541,630 S	5/2007	Blomstrom et al.	
D545,177 S	6/2007	Vito	
D549,552 S	8/2007	Huang	
D557,107 S *	12/2007	Van Handel et al.	D8/334
D558,025 S *	12/2007	Rohde et al.	D8/334
D567,628 S	4/2008	Rohde et al.	
D569,226 S	5/2008	Brewster et al.	
D573,871 S	7/2008	Nave et al.	
D582,251 S	12/2008	Mackey et al.	
D594,731 S	6/2009	Plato	
D605,494 S	12/2009	Plato	
D629,280 S	12/2010	Plato	
D637,062 S	5/2011	Plato	
D638,279 S	5/2011	Plato	
D646,953 S	10/2011	Schmidt et al.	
D662,394 S	6/2012	Schmidt et al.	

* cited by examiner

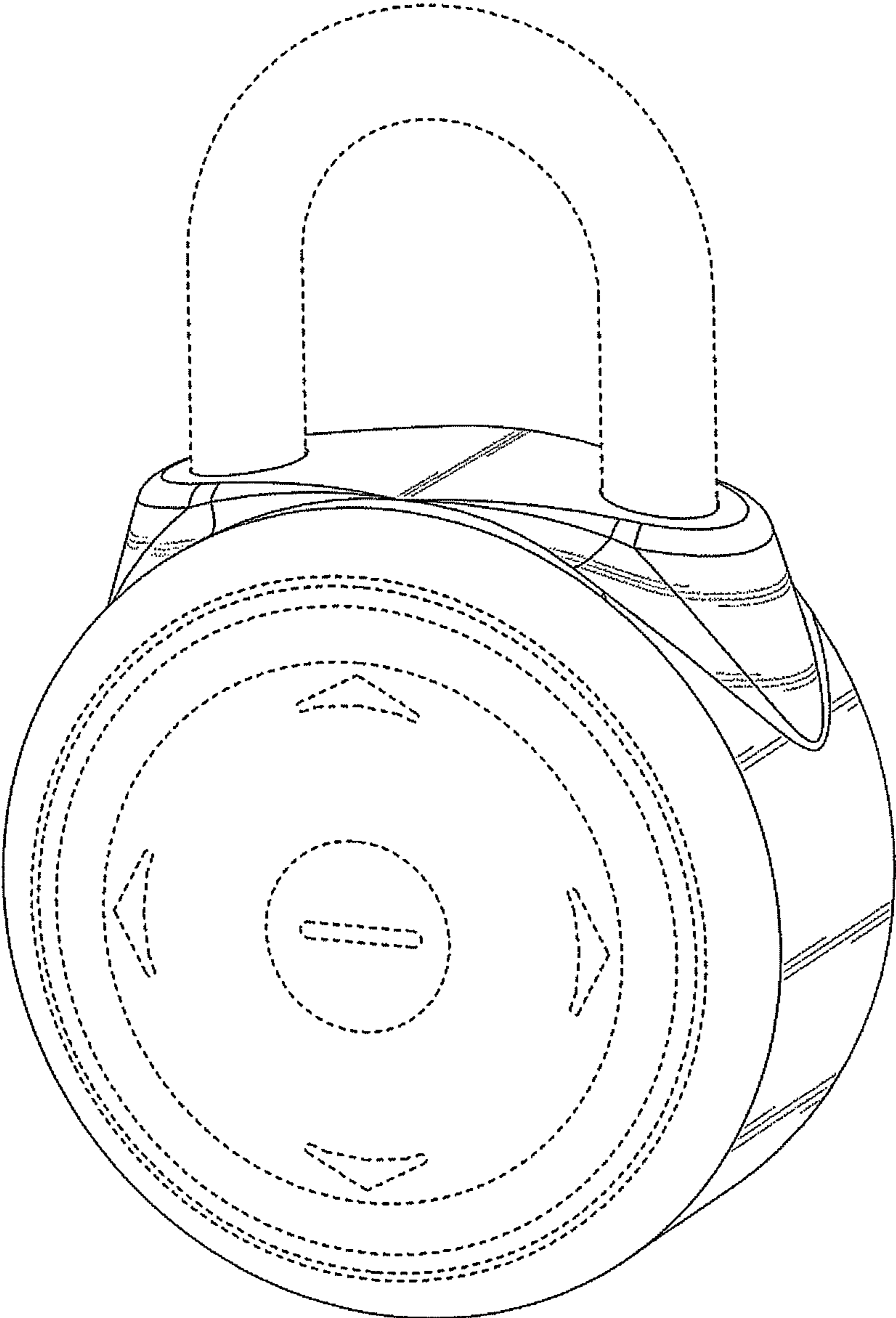


FIG. 1

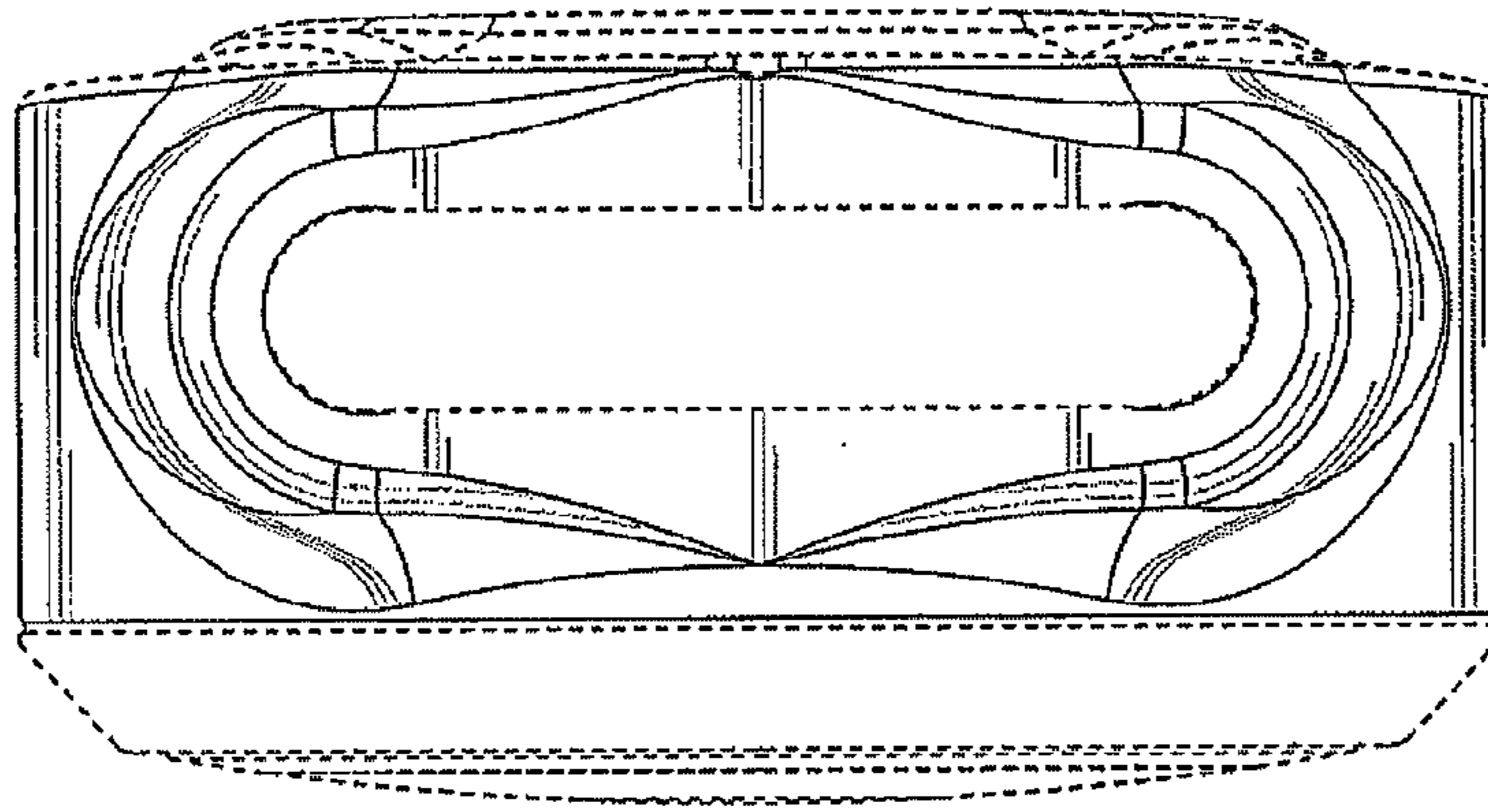


FIG. 2

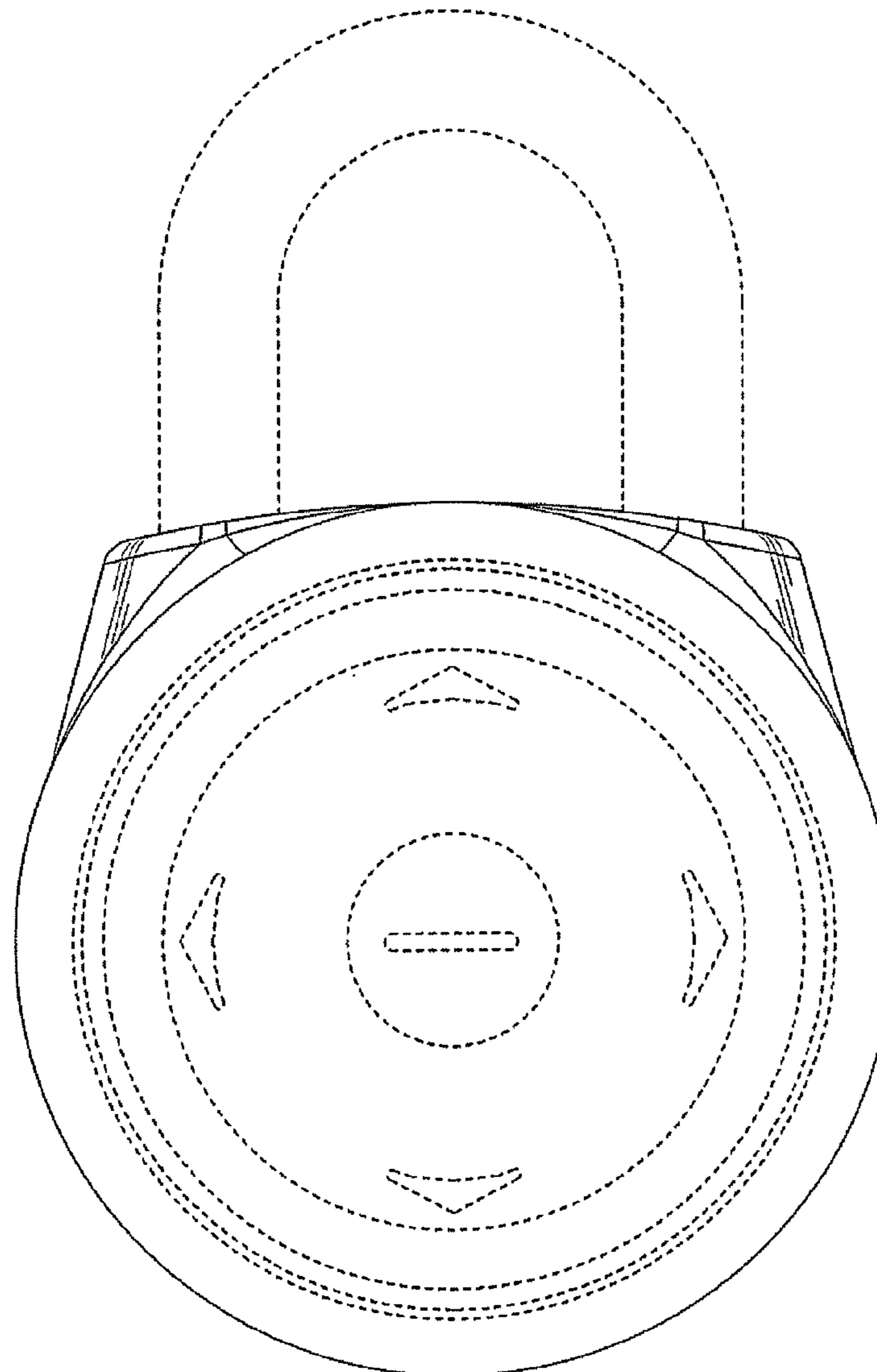


FIG. 3

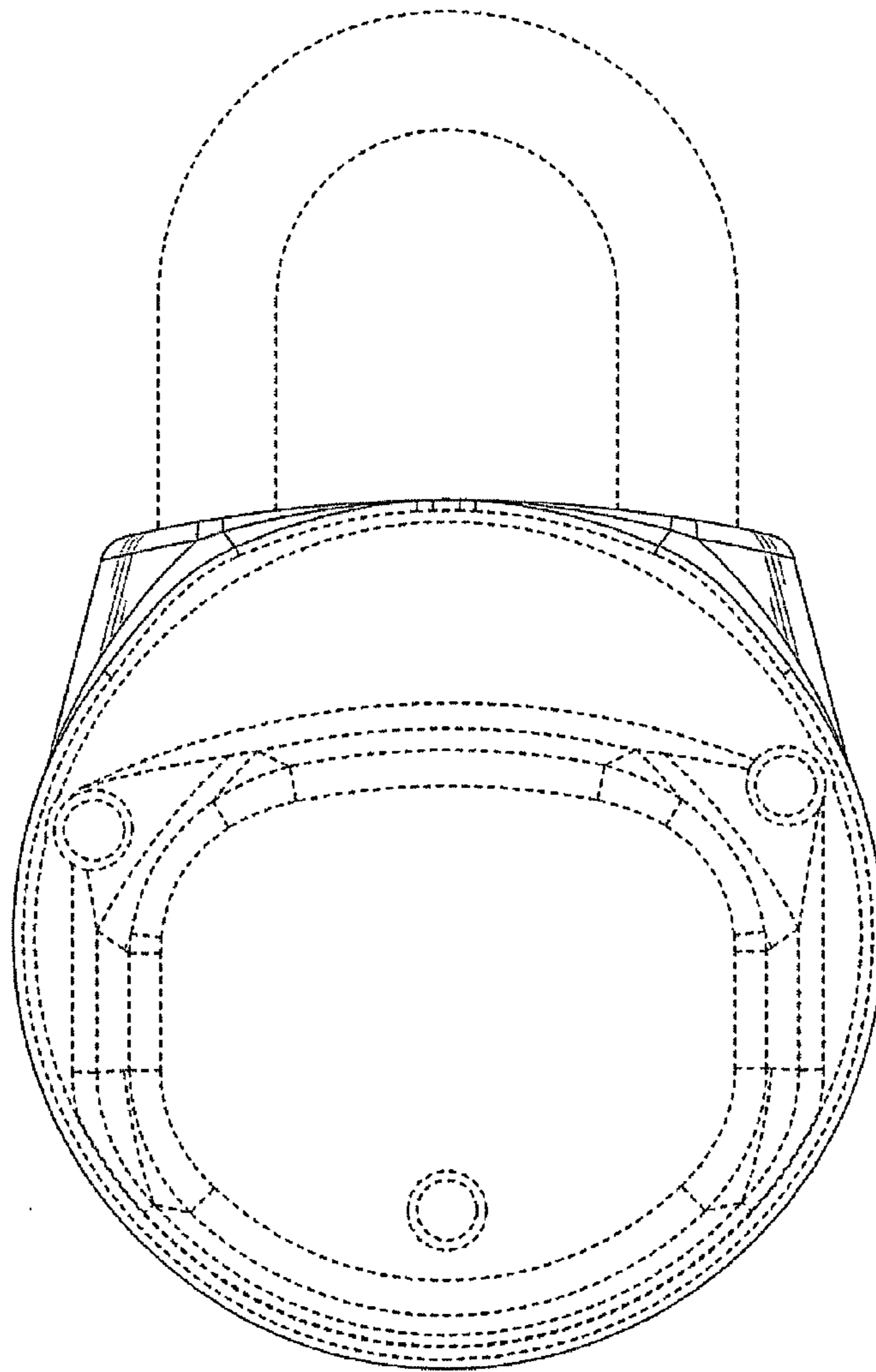


FIG. 4

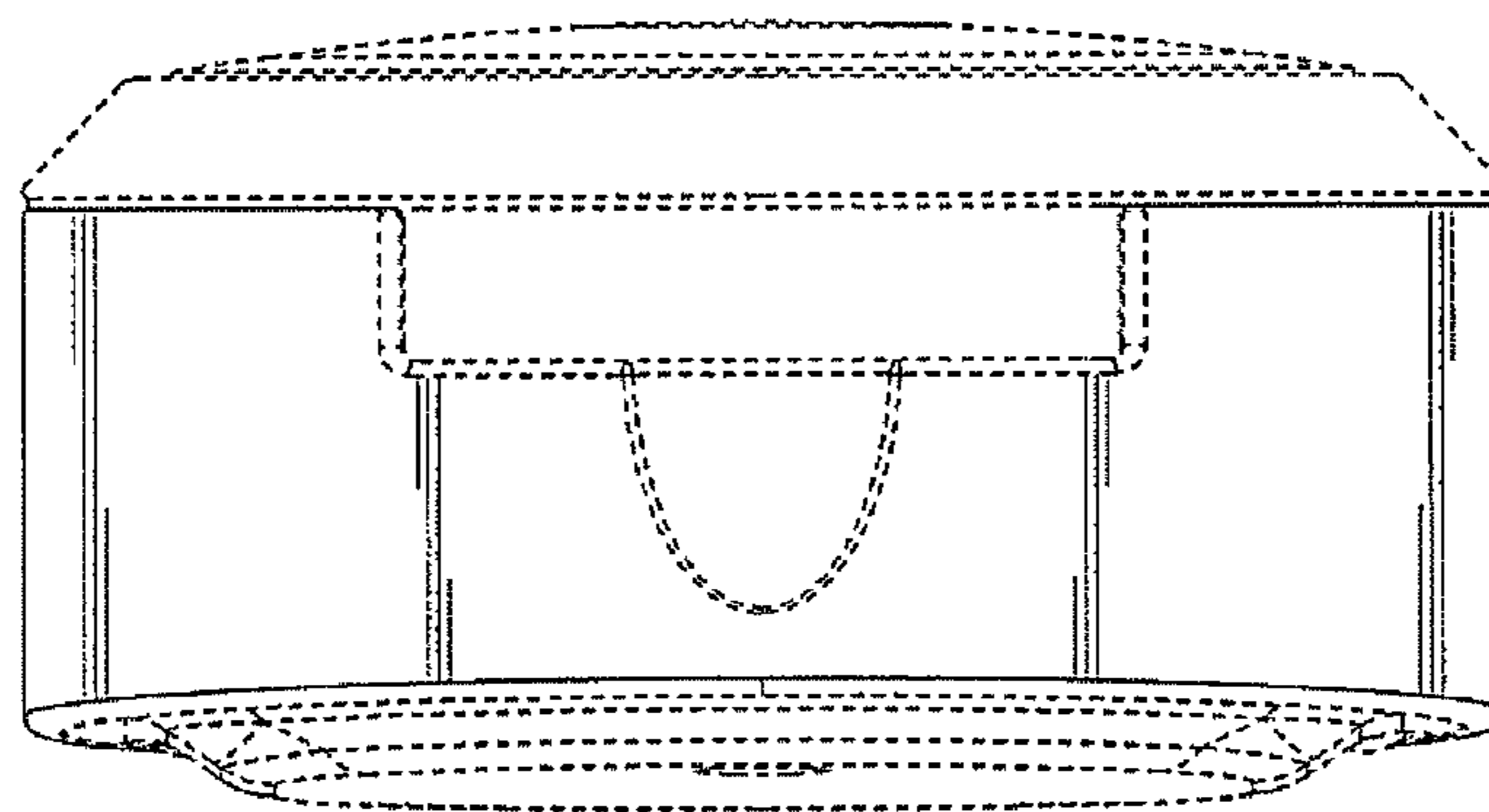


FIG. 5

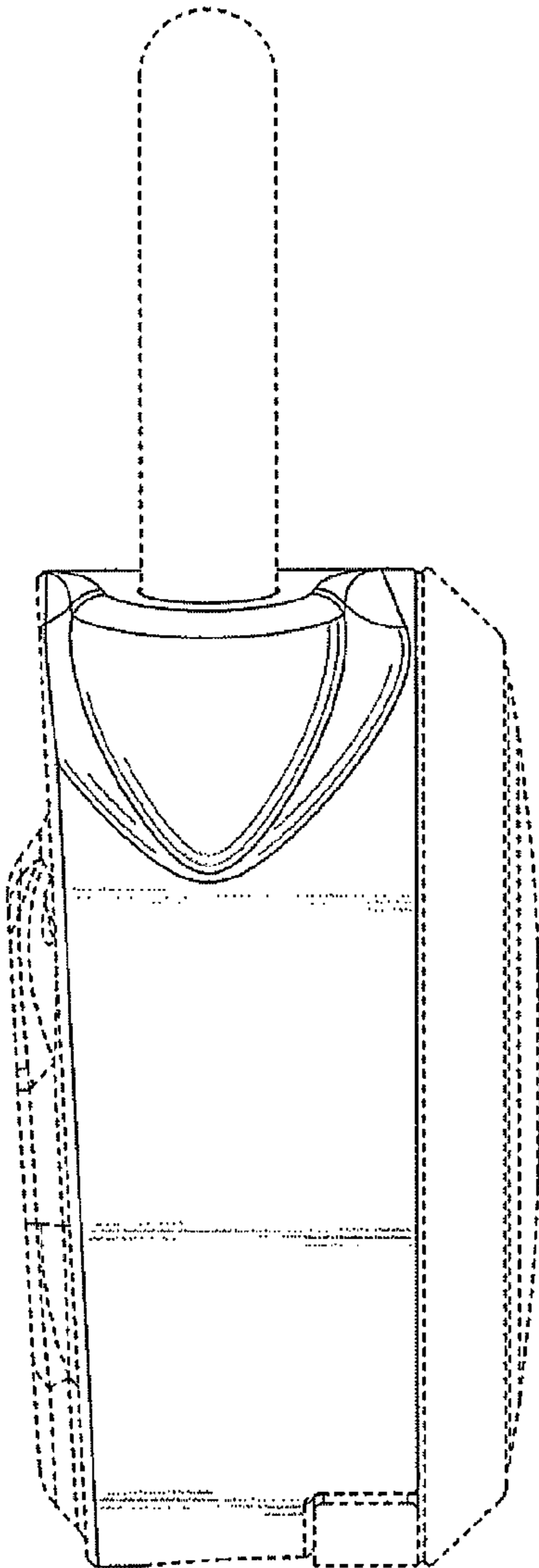


FIG. 6

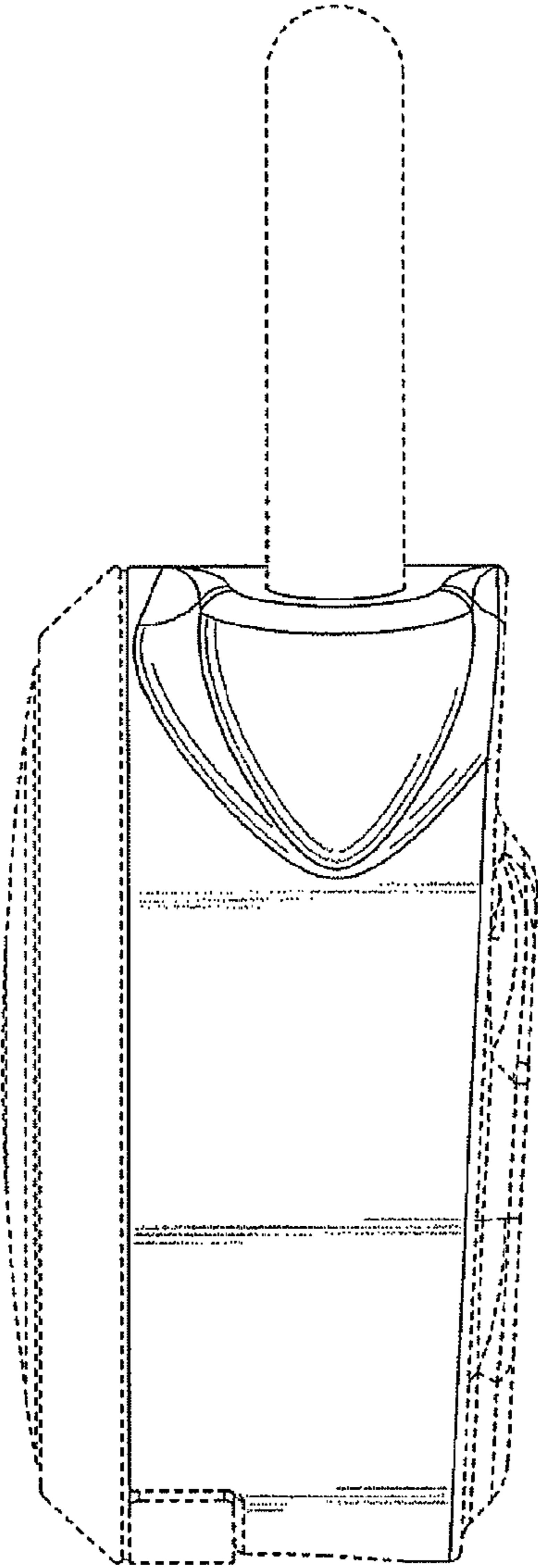


FIG. 7