



US00D685249S

(12) **United States Design Patent**
Friedli

(10) **Patent No.:** **US D685,249 S**

(45) **Date of Patent:** **** Jul. 2, 2013**

(54) **DOOR TRIM**

(75) Inventor: **Tobias Friedli**, Baden (CH)

(73) Assignees: **Inventio AG**, Hergiswil NW (CH);
Ingersoll-Rand Company, Carmel, IN (US)

(**) Term: **14 Years**

(21) Appl. No.: **29/419,289**

(22) Filed: **Apr. 26, 2012**

(30) **Foreign Application Priority Data**

Nov. 9, 2011 (CH) 138423

(51) **LOC (9) Cl.** **08-07**

(52) **U.S. Cl.**
USPC **D8/330**; D8/301

(58) **Field of Classification Search**
USPC D8/300, 301, 308, 330, 320, 350,
D8/353; D14/329; D10/108; 70/207, 208,
70/211, 214, 220, 278.1; 235/482, 382
See application file for complete search history.

(56) **References Cited**

U.S. PATENT DOCUMENTS

4,873,853	A *	10/1989	Foshee	70/452
D305,861	S *	2/1990	Kautt	D8/330
D313,926	S *	1/1991	Kautt	D8/301
5,198,643	A *	3/1993	Miron et al.	235/382
D360,124	S *	7/1995	Gartner	D8/330
5,475,996	A *	12/1995	Chen	70/279.1
D390,446	S *	2/1998	Gartner	D8/343
D429,139	S *	8/2000	Ahn	D8/301
D494,841	S *	8/2004	Moon et al.	D8/352
D501,388	S *	2/2005	Carpintero	D8/301
7,091,429	B2 *	8/2006	Case et al.	200/5 A
D533,763	S *	12/2006	Wright et al.	D8/330
7,374,084	B2 *	5/2008	Mitchell	235/382
D578,866	S *	10/2008	Kim	D8/353
D593,398	S *	6/2009	Pelletier et al.	D8/330
D609,994	S *	2/2010	Nunez et al.	D8/331
7,984,631	B2 *	7/2011	Case et al.	70/278.1

* cited by examiner

Primary Examiner — Paula Greene

(74) *Attorney, Agent, or Firm* — Stroock & Stroock & Lavan LLP

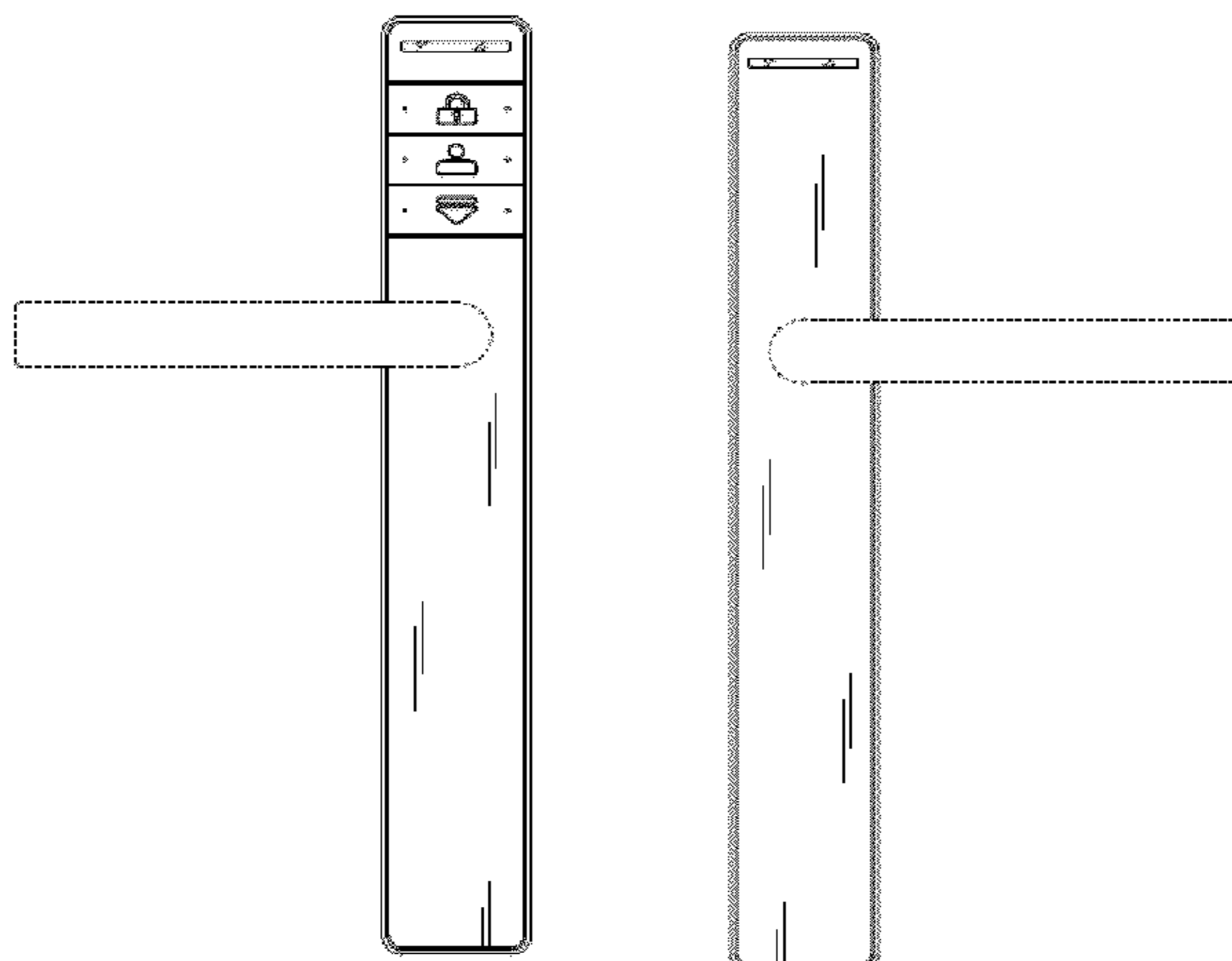
(57) **CLAIM**

The ornamental design for a door trim, as shown and described.

DESCRIPTION

FIG. 1 is a front elevation view of a first preferred embodiment of my invention;
 FIG. 2 is a rear elevation view of a first preferred embodiment of my invention;
 FIG. 3 is a top elevation view of a first preferred embodiment of my invention;
 FIG. 4 is a left-side elevation view of a first preferred embodiment of my invention;
 FIG. 5 is a right-side elevation view of a first preferred embodiment of my invention;
 FIG. 6 is a bottom elevation view of a first preferred embodiment of my invention;
 FIG. 7 is an isometric view showing the rear, top and one side of the first preferred embodiment of the design;
 FIG. 8 is a front elevation view of a second preferred embodiment of my invention;
 FIG. 9 is a rear elevation view of a second preferred embodiment of my invention;
 FIG. 10 is a top elevation view of a second preferred embodiment of my invention;
 FIG. 11 is a left-side elevation view of a second preferred embodiment of my invention;
 FIG. 12 is a right-side elevation view of a second preferred embodiment of my invention;
 FIG. 13 is a bottom elevation view of a second preferred embodiment of my invention; and,
 FIG. 14 is an isometric view showing the rear, top, and one side of a second preferred embodiment of the design.
 Those portions of the drawings shown in dotted and dashed lines are included to show background only, and form no part of the claimed design.

1 Claim, 8 Drawing Sheets



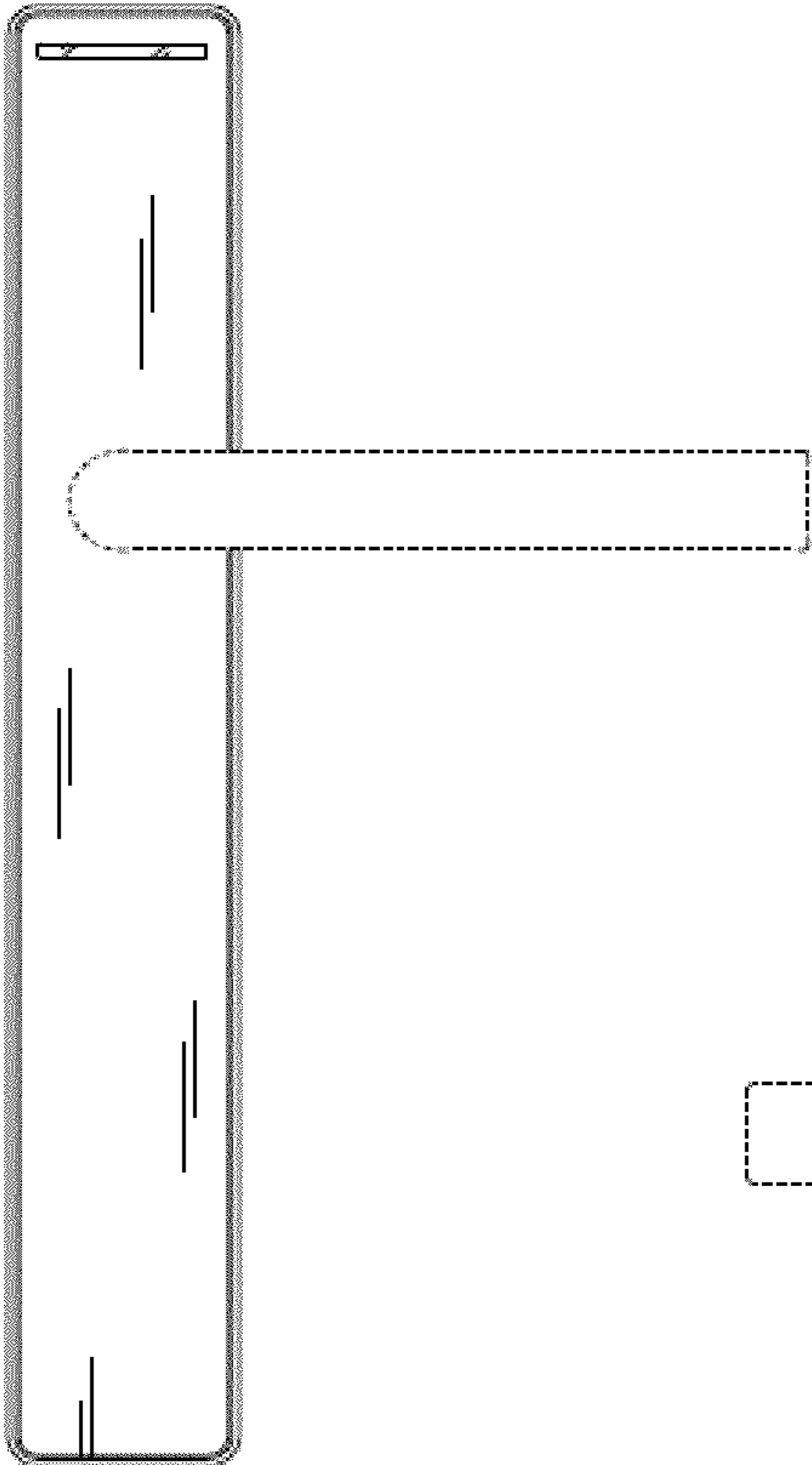


FIG. 2

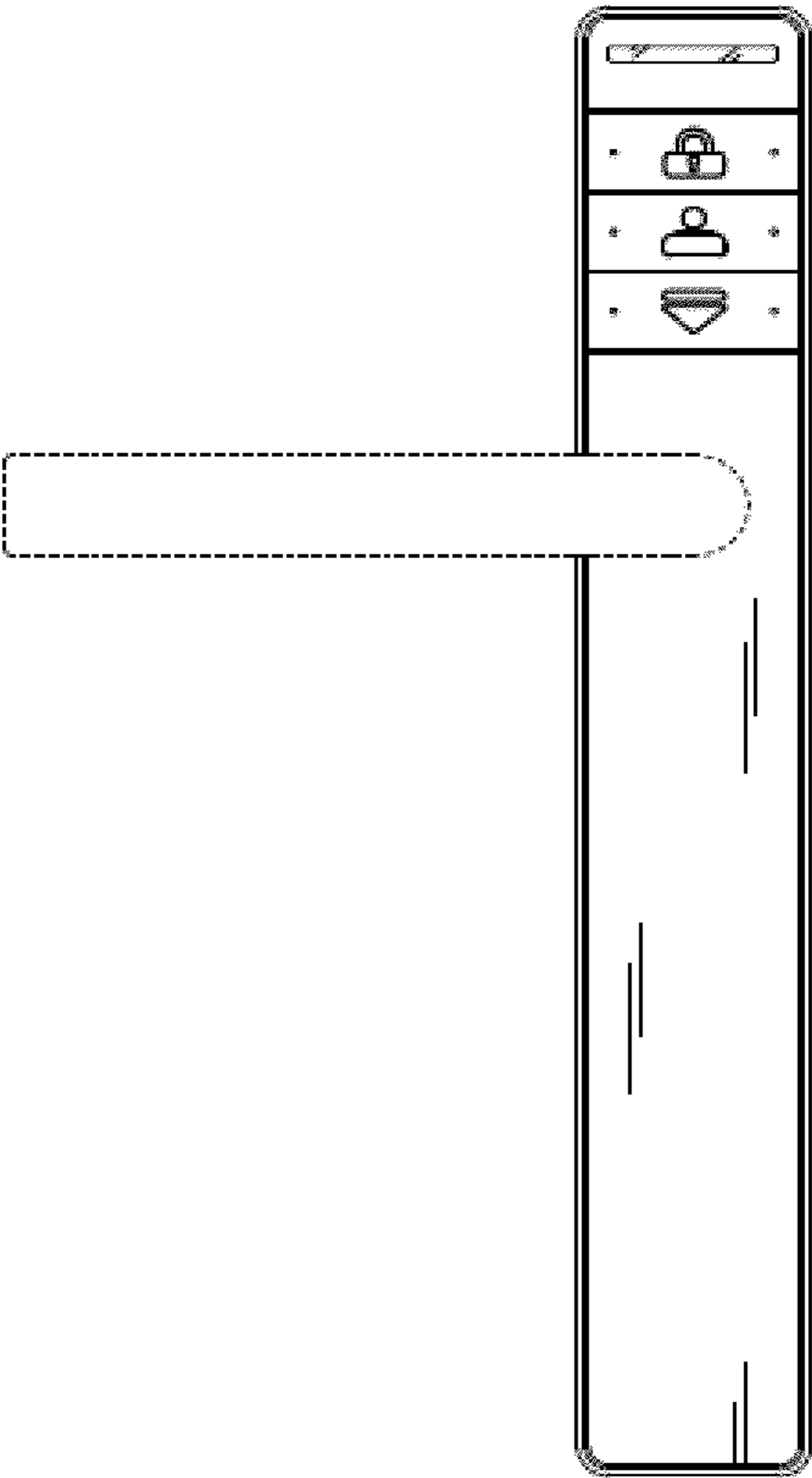


FIG. 1

FIG. 3

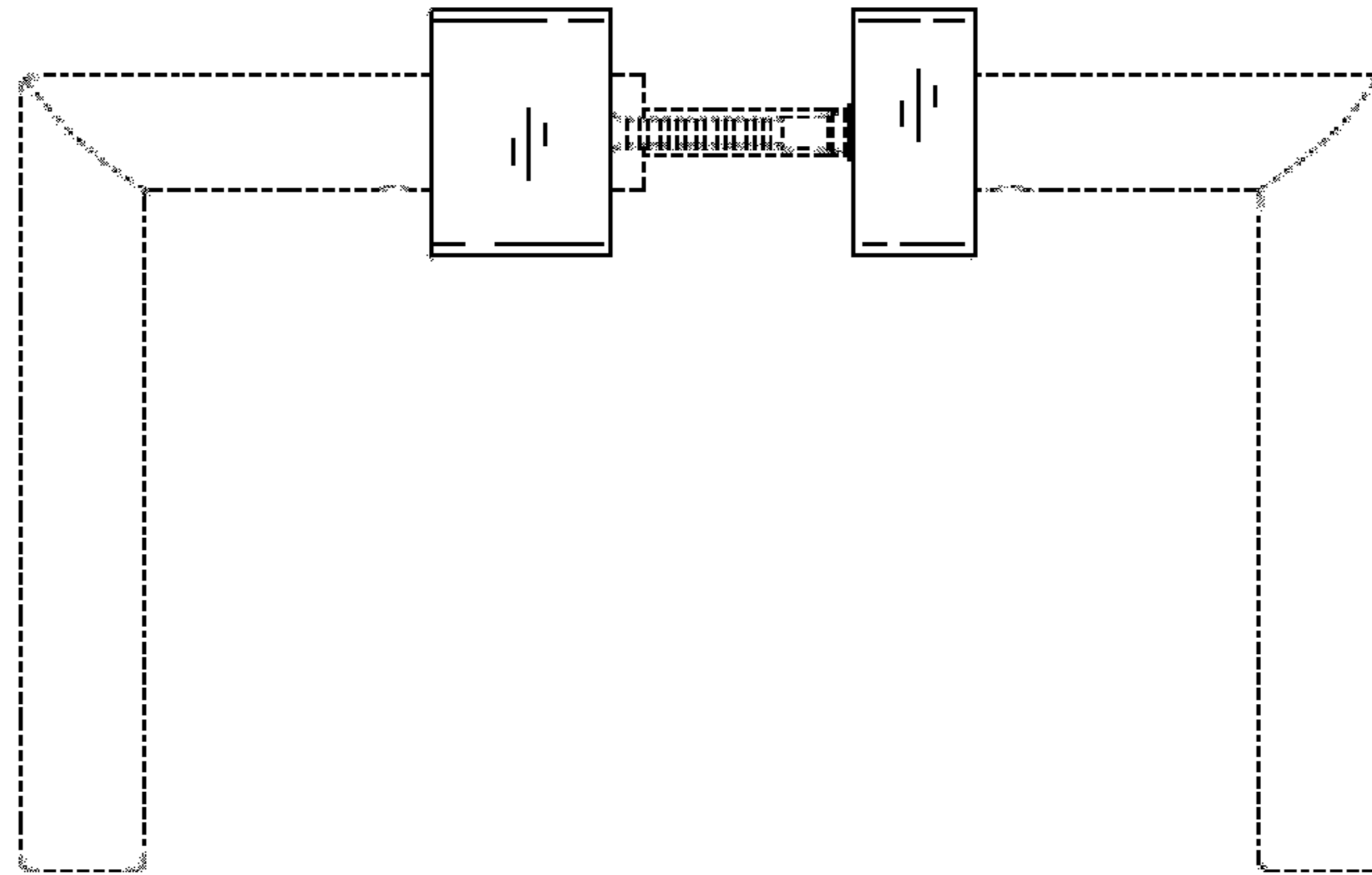


FIG. 4

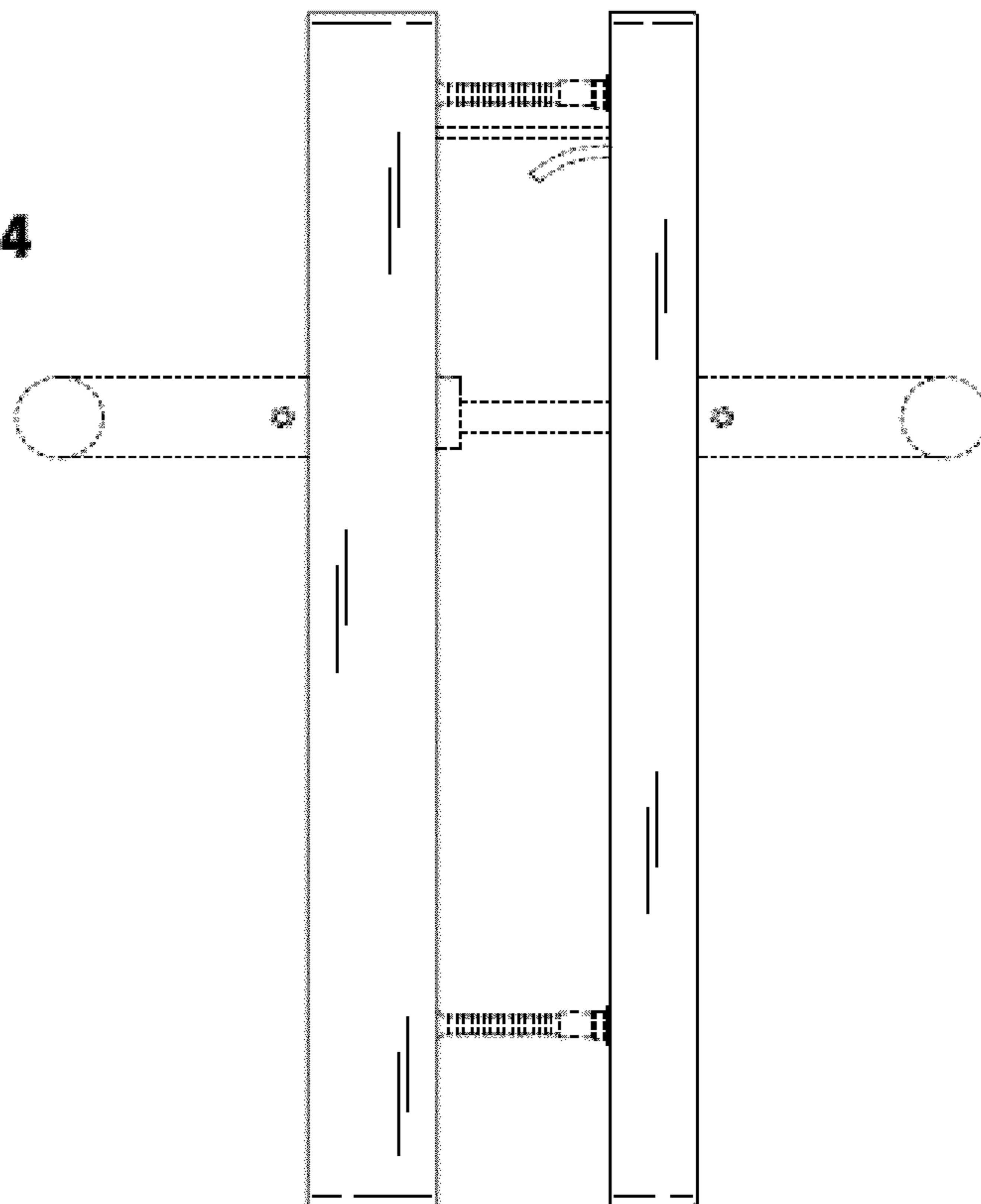


FIG. 5

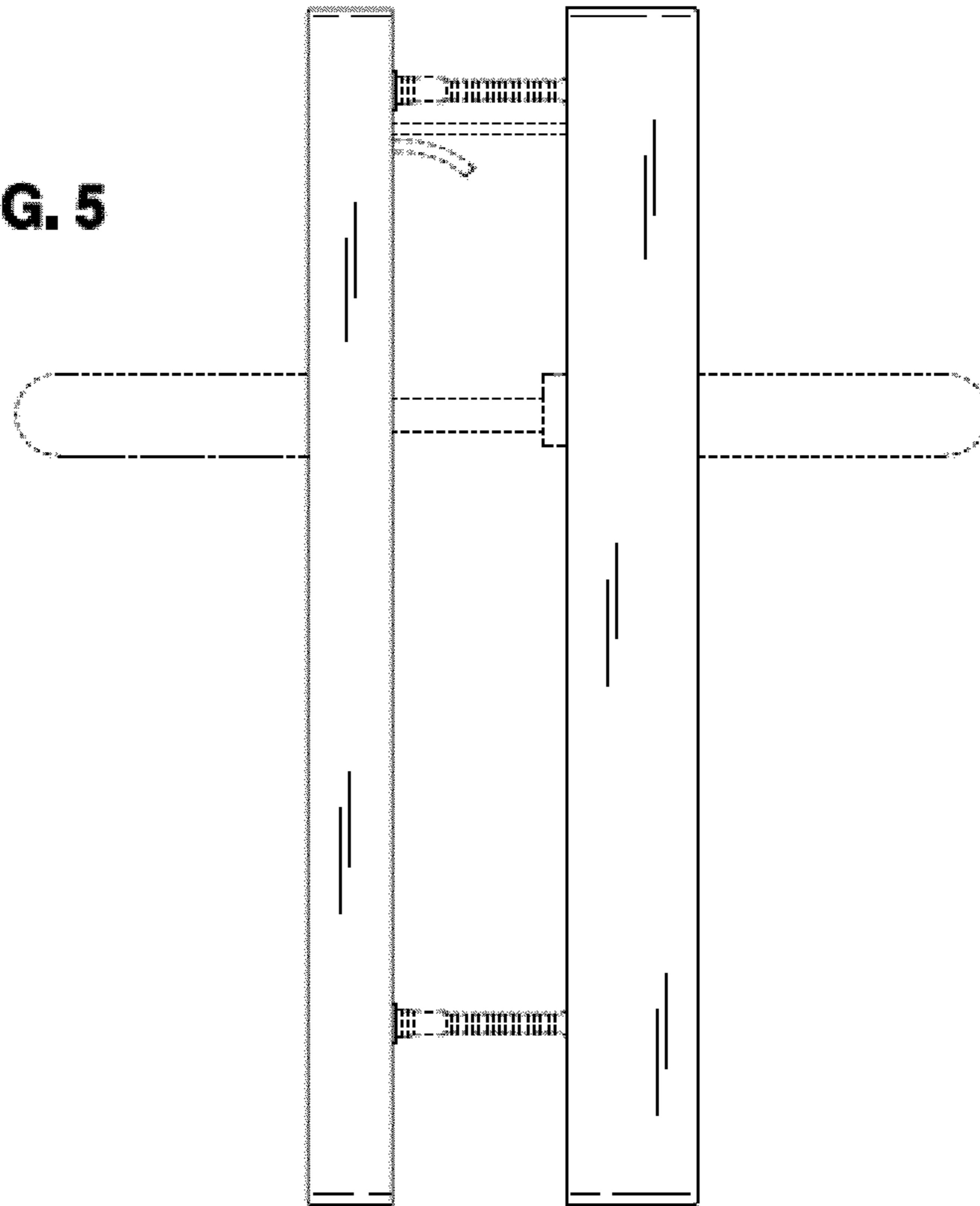
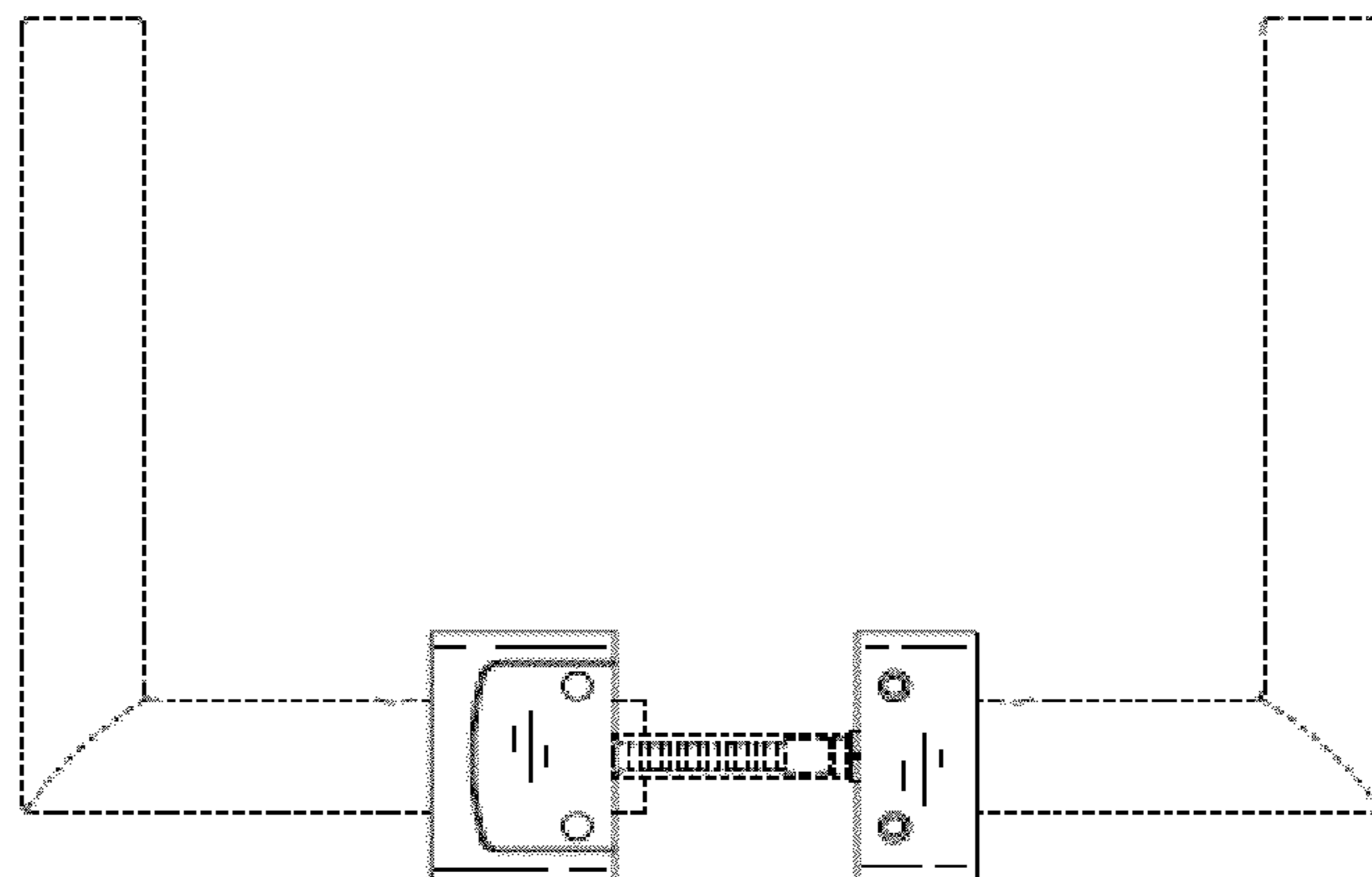


FIG. 6



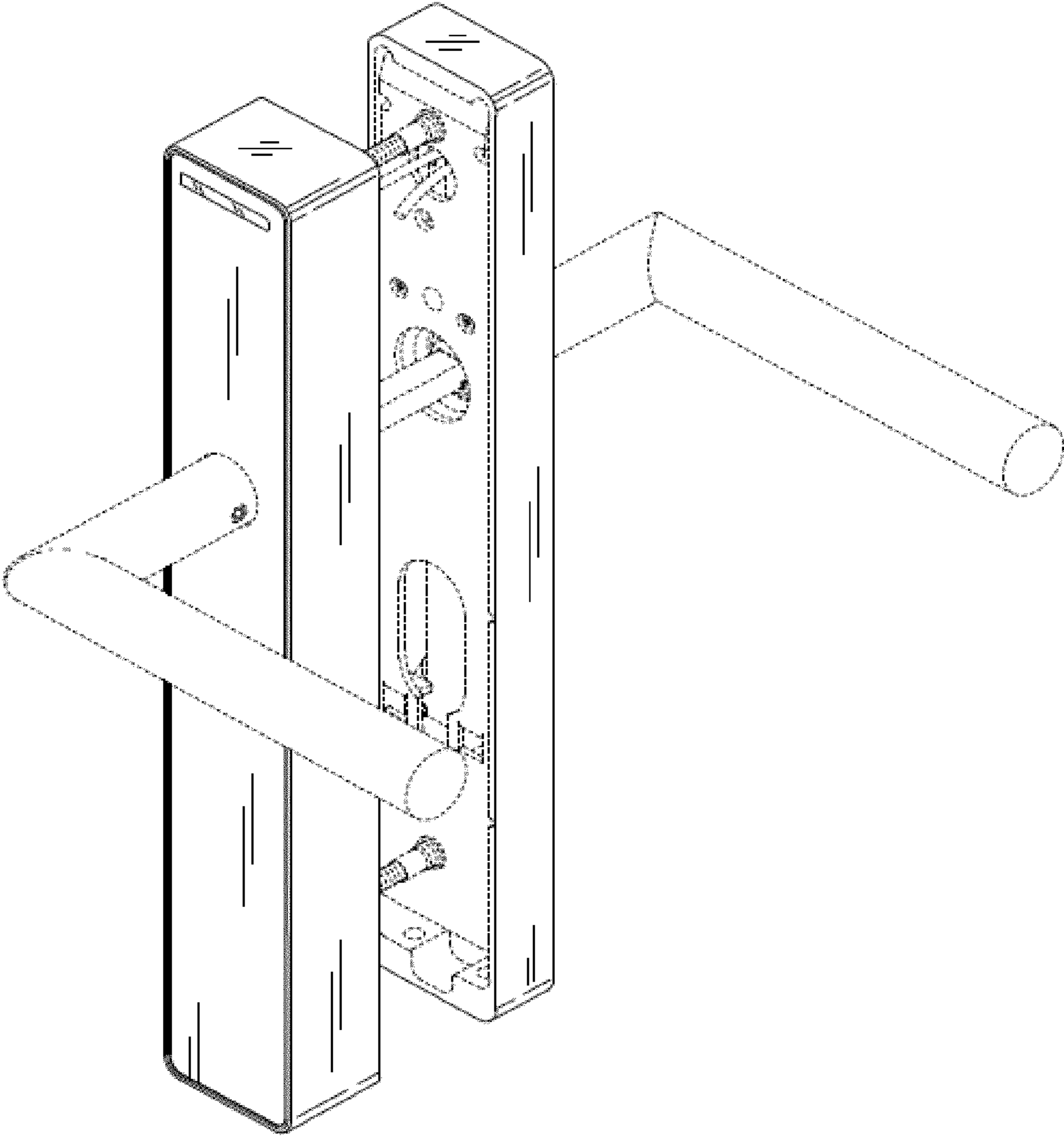


FIG. 7

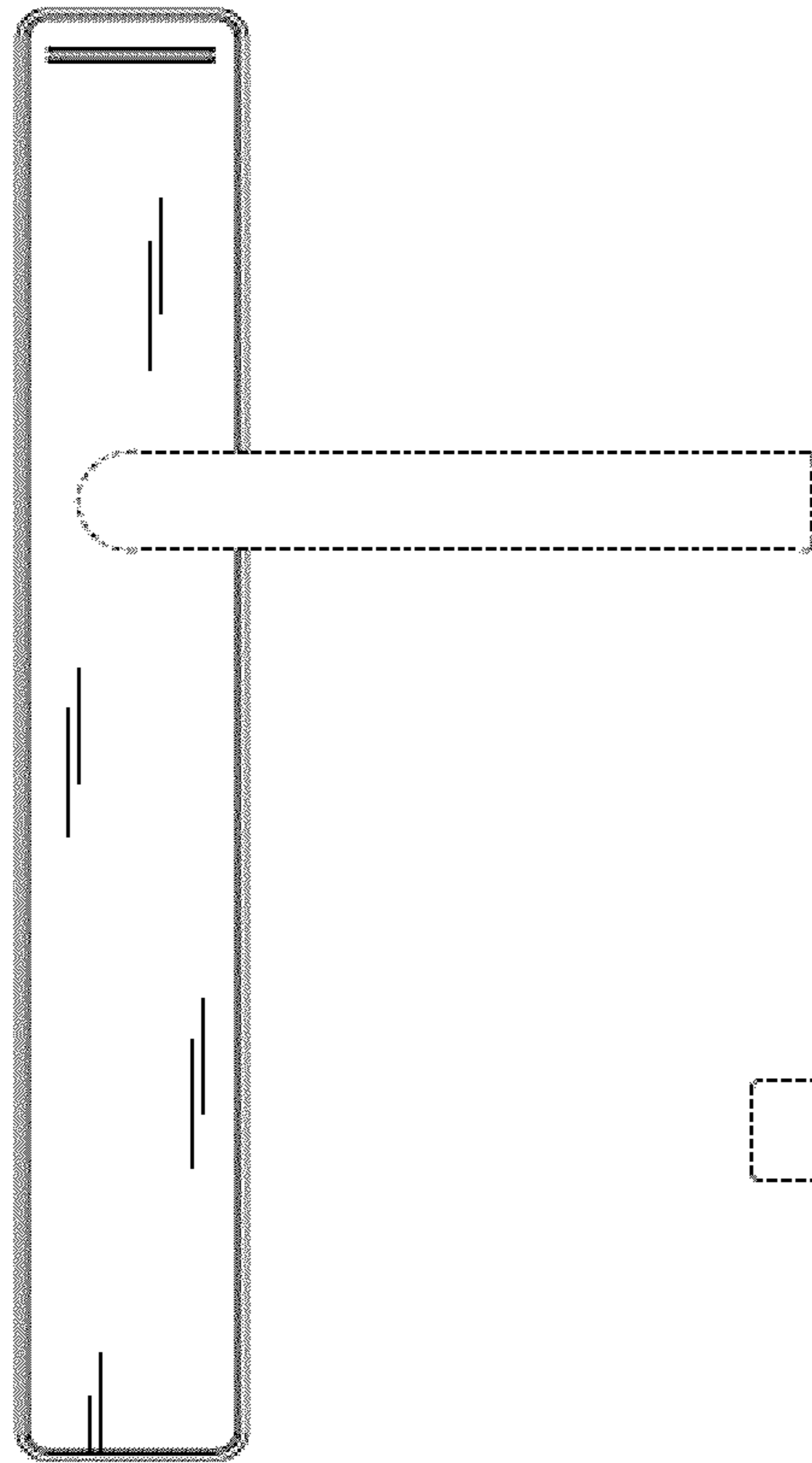


FIG. 9

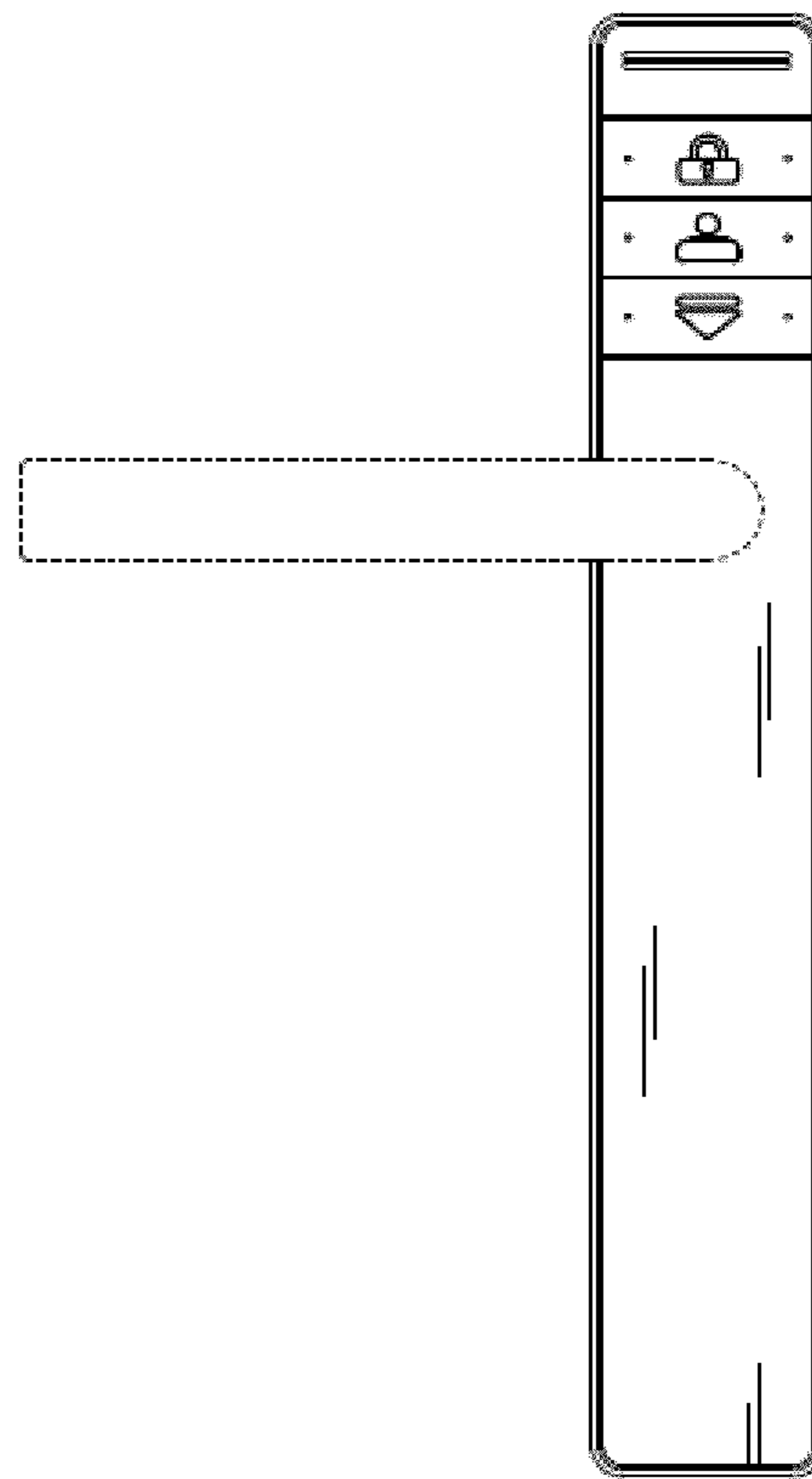


FIG. 8

FIG. 10

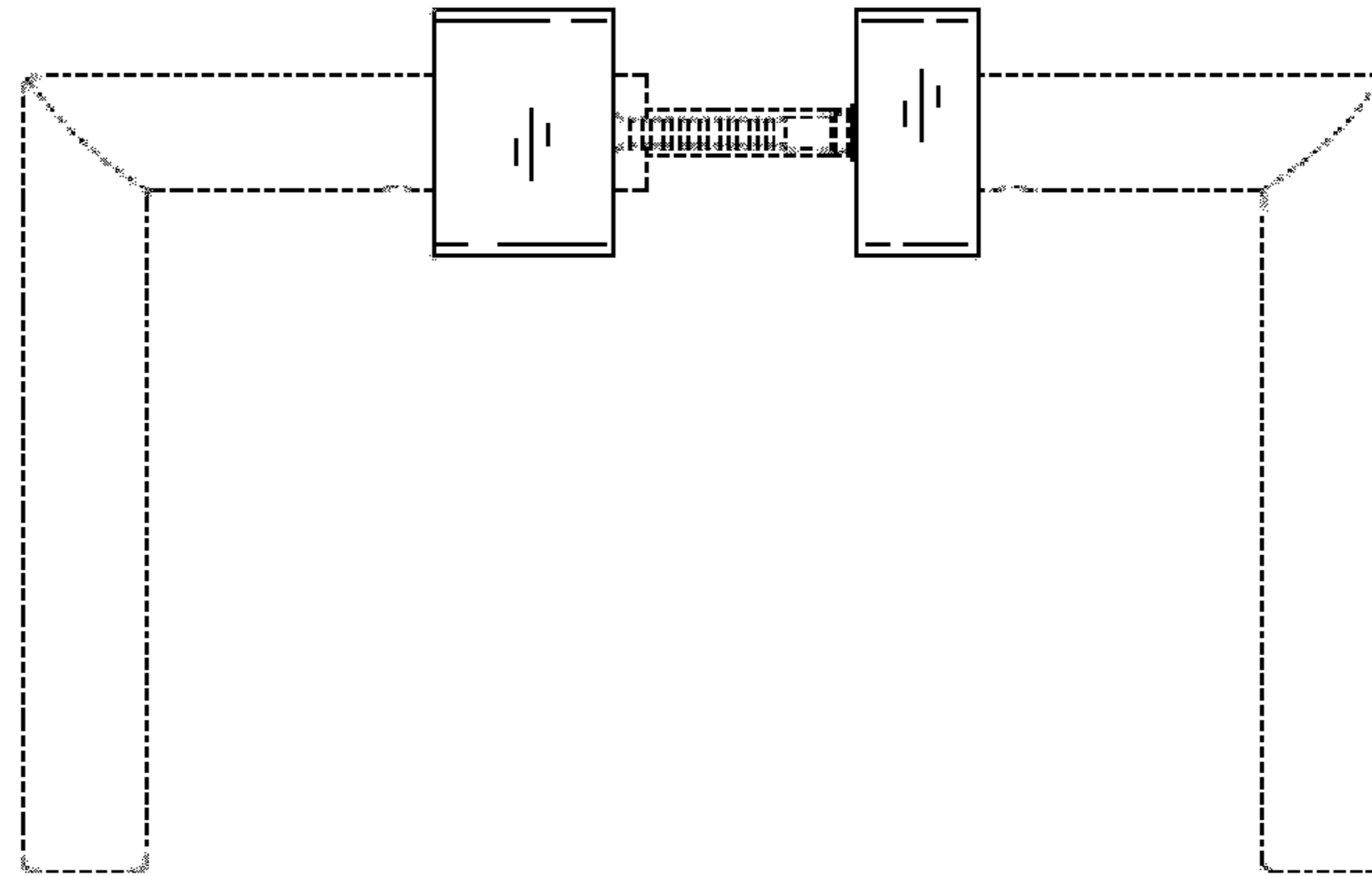


FIG. 11

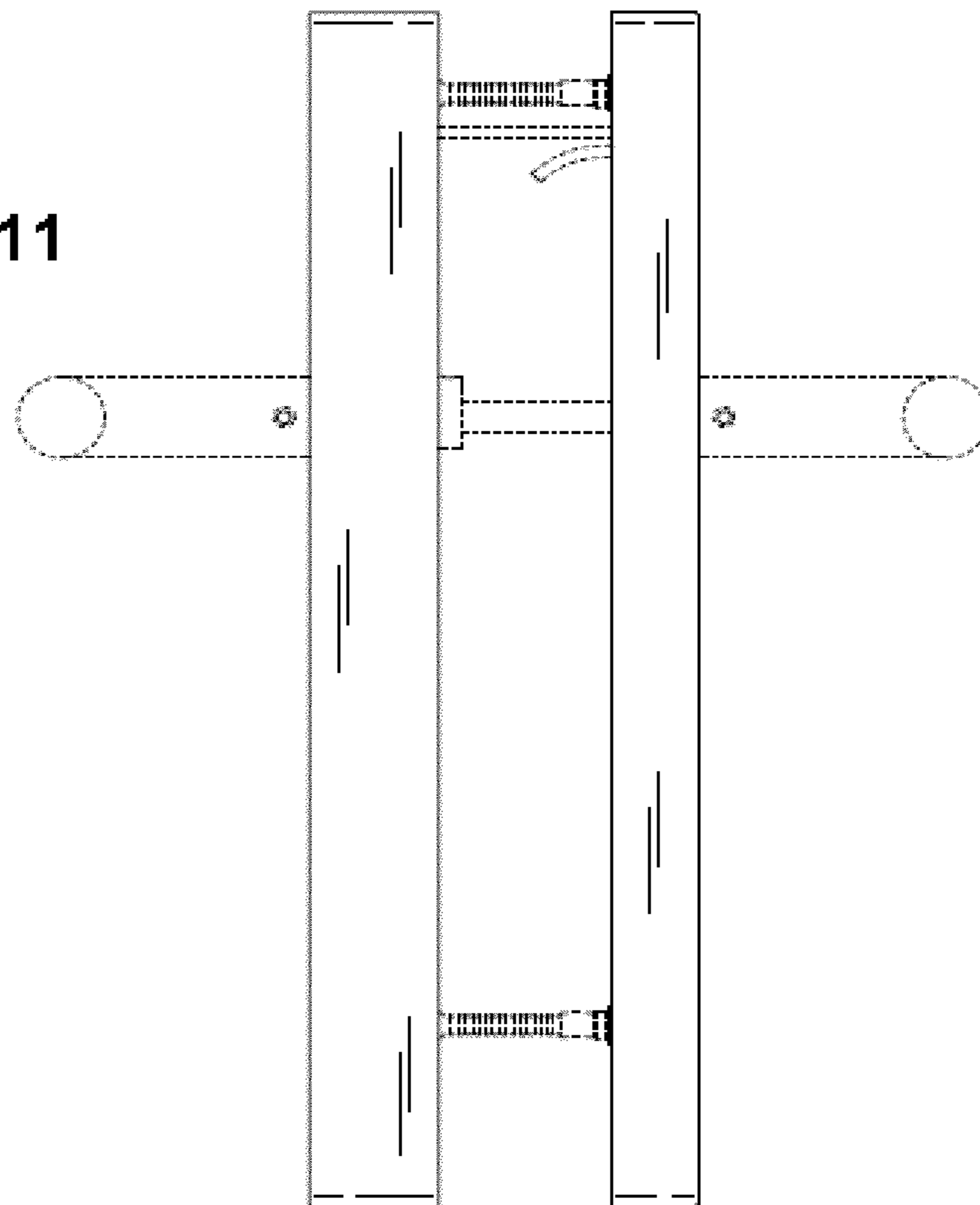


FIG. 12

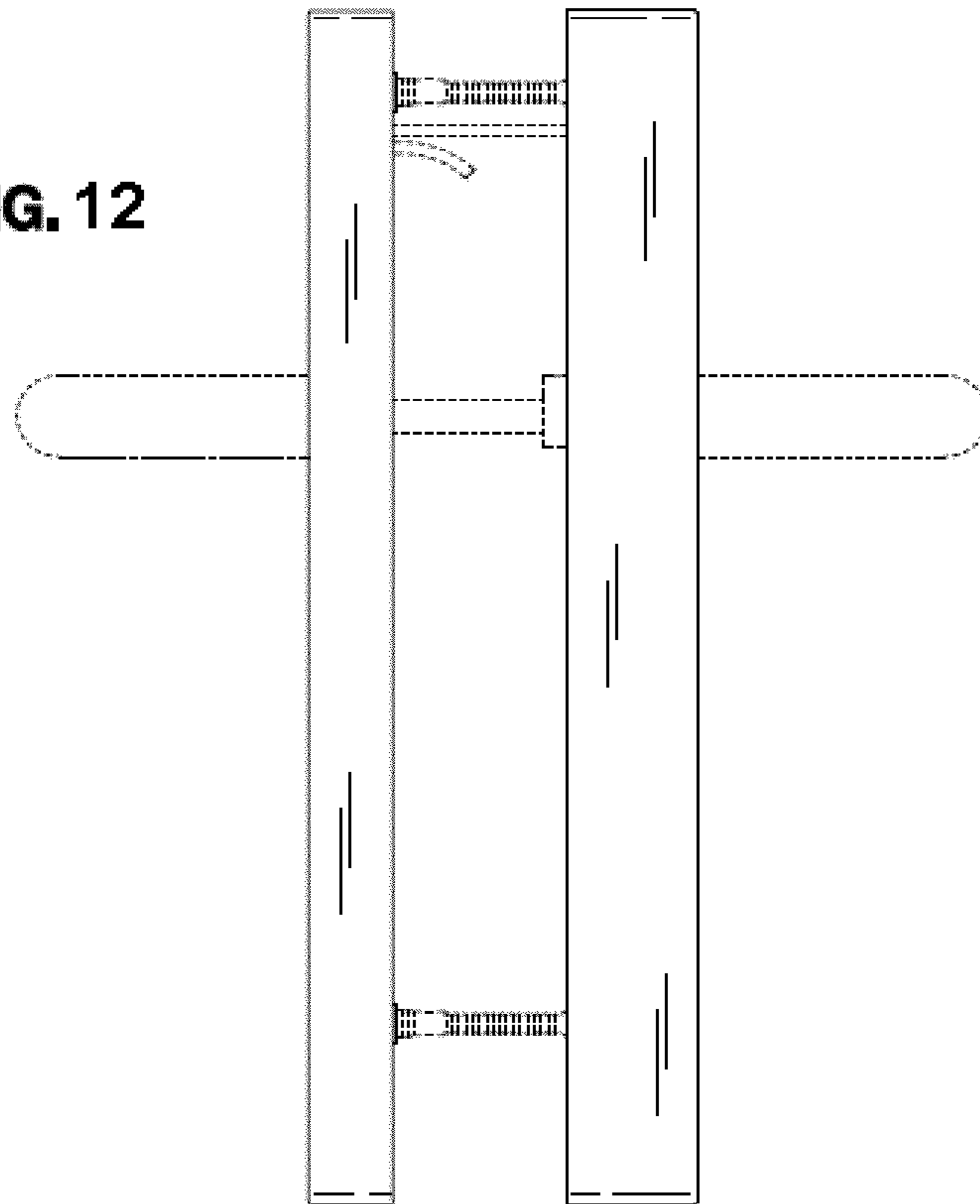
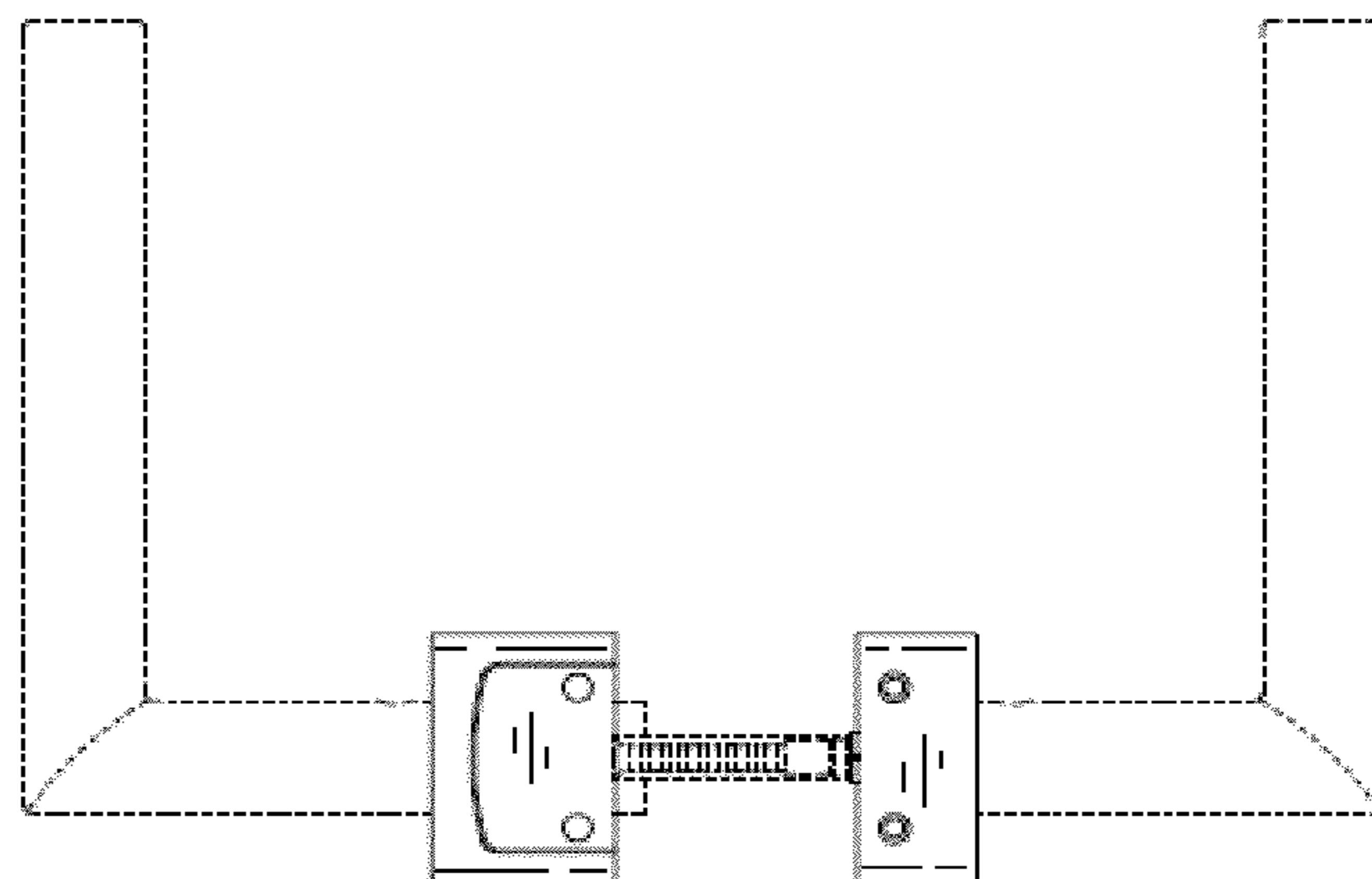


FIG. 13



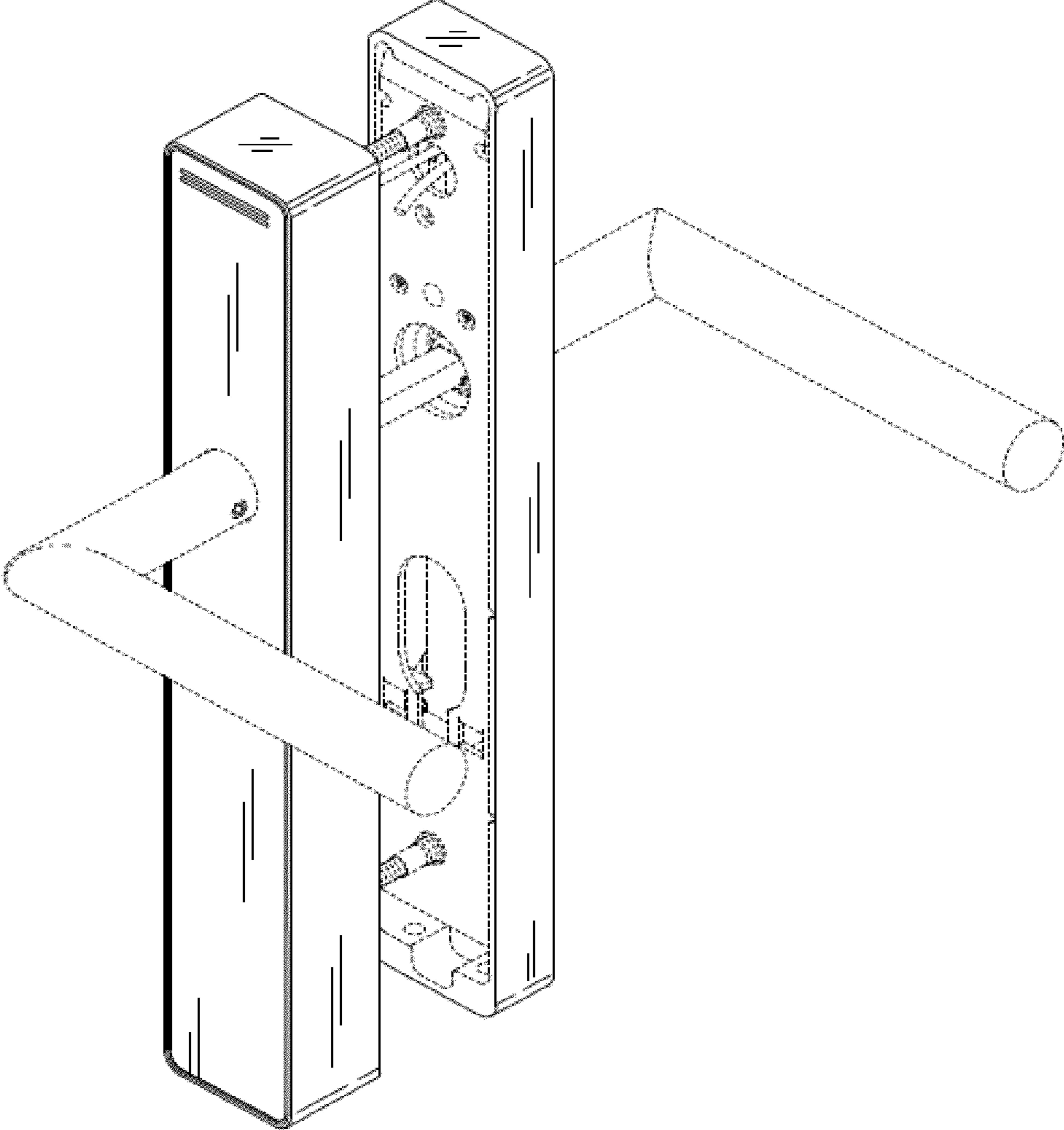


FIG.14