



US00D685248S

(12) **United States Design Patent**
Lee et al.

(10) **Patent No.:** **US D685,248 S**
(45) **Date of Patent:** **** Jul. 2, 2013**

- (54) **DRILL ATTACHMENT**
- (75) Inventors: **Alan Sian Ghee Lee**, Singapore (SG);
Henry Greaves, Watsons Bay (AU)
- (73) Assignee: **Elmich Pte Ltd**, Singapore (SG)
- (**) Term: **14 Years**
- (21) Appl. No.: **29/413,929**
- (22) Filed: **Feb. 22, 2012**
- (30) **Foreign Application Priority Data**
Sep. 5, 2011 (AU) 13915/2011
- (51) **LOC (9) Cl.** **08-02**
- (52) **U.S. Cl.**
USPC **D8/77**
- (58) **Field of Classification Search**
USPC D8/70; D32/19, 25, 31-33; 15/180,
15/230.16, 230.17, 230.19, 422; 51/356
See application file for complete search history.

- (56) **References Cited**
U.S. PATENT DOCUMENTS
2,307,312 A * 1/1943 Whiting 451/548
3,008,160 A * 11/1961 West 15/1.7
D224,718 S * 9/1972 Wahl D15/138
D292,834 S * 11/1987 Slachta D32/25
5,964,006 A * 10/1999 Holmes et al. 15/180

- 6,138,317 A * 10/2000 Holmes et al. 15/180
- D543,563 S * 5/2007 Skradski et al. D15/138
- D544,007 S * 6/2007 Marasco D15/140
- D555,180 S * 11/2007 Amamoto et al. D15/126
- D575,311 S * 8/2008 Konecny D15/138
- D597,571 S * 8/2009 Darr D15/139
- D632,941 S * 2/2011 Noniewicz D8/70

* cited by examiner

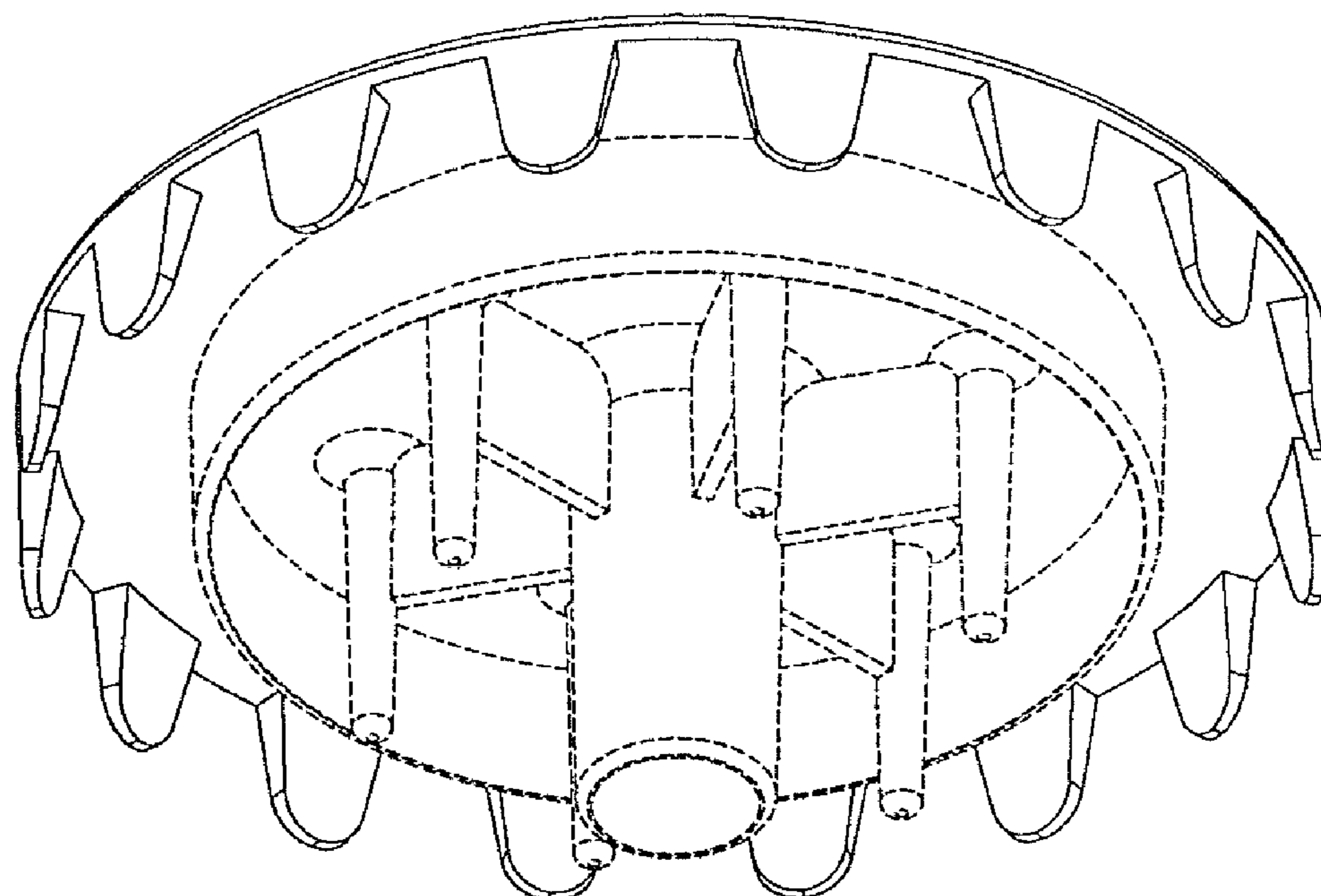
Primary Examiner — Philip S Hyder
Assistant Examiner — Darlington Ly

(57) **CLAIM**
We claim the ornamental design for a drill attachment, as shown and described.

DESCRIPTION

FIG. 1 is a bottom isometric view of a drill attachment according to the ornamental design;
FIG. 2 is a top isometric view of the drill attachment shown in FIG. 1;
FIG. 3 is a bottom view of the drill attachment shown in FIG. 1;
FIG. 4 is a side view of the drill attachment shown in FIG. 1, wherein, the rear view is a mirror image; and,
FIG. 5 is a front view of the drill attachment shown in FIG. 1.
The broken lines shown in the drawings illustrate portions of the drill attachment that form no part of the claimed design.

1 Claim, 6 Drawing Sheets



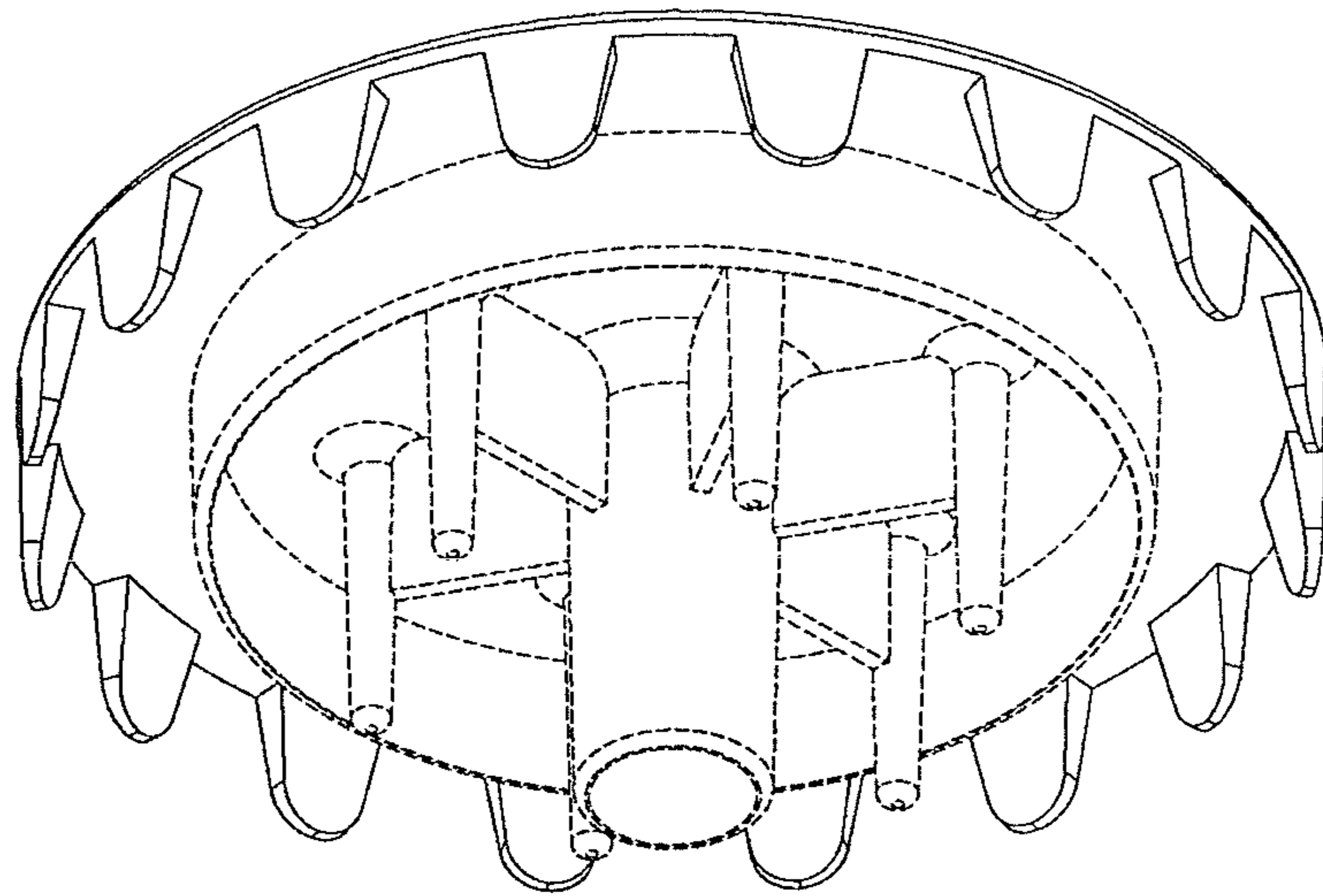


Figure 1

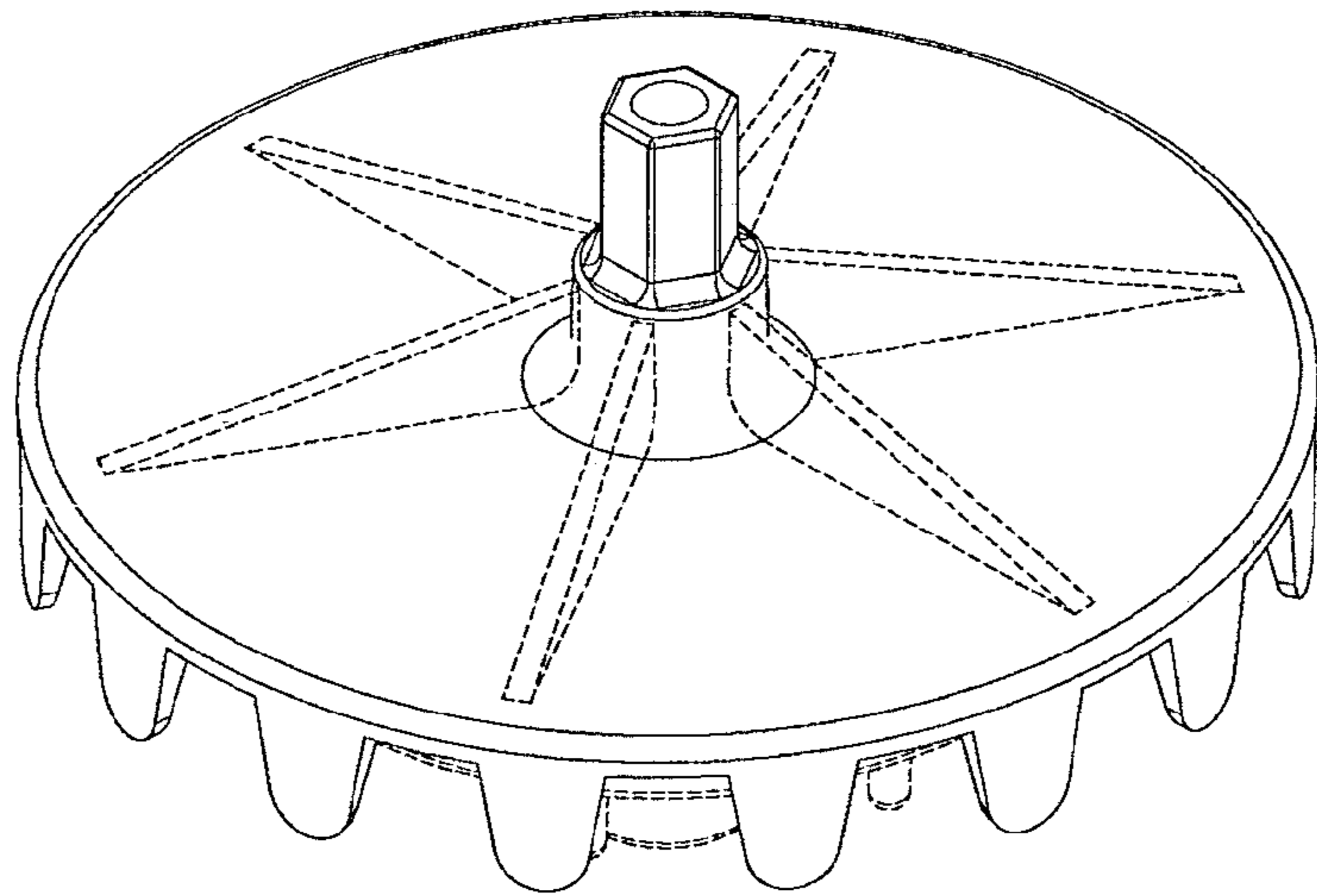


Figure 2

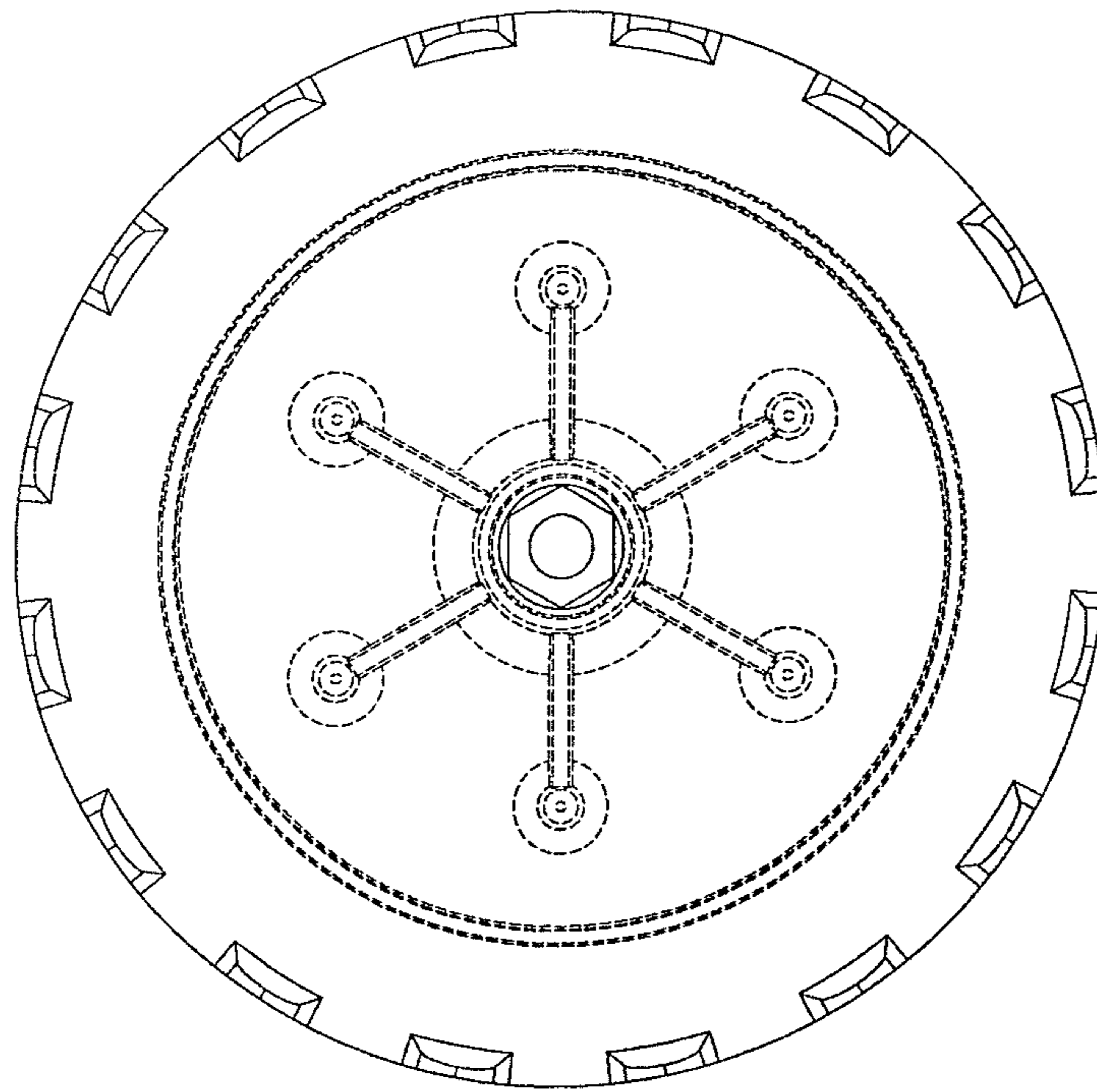


Figure 3

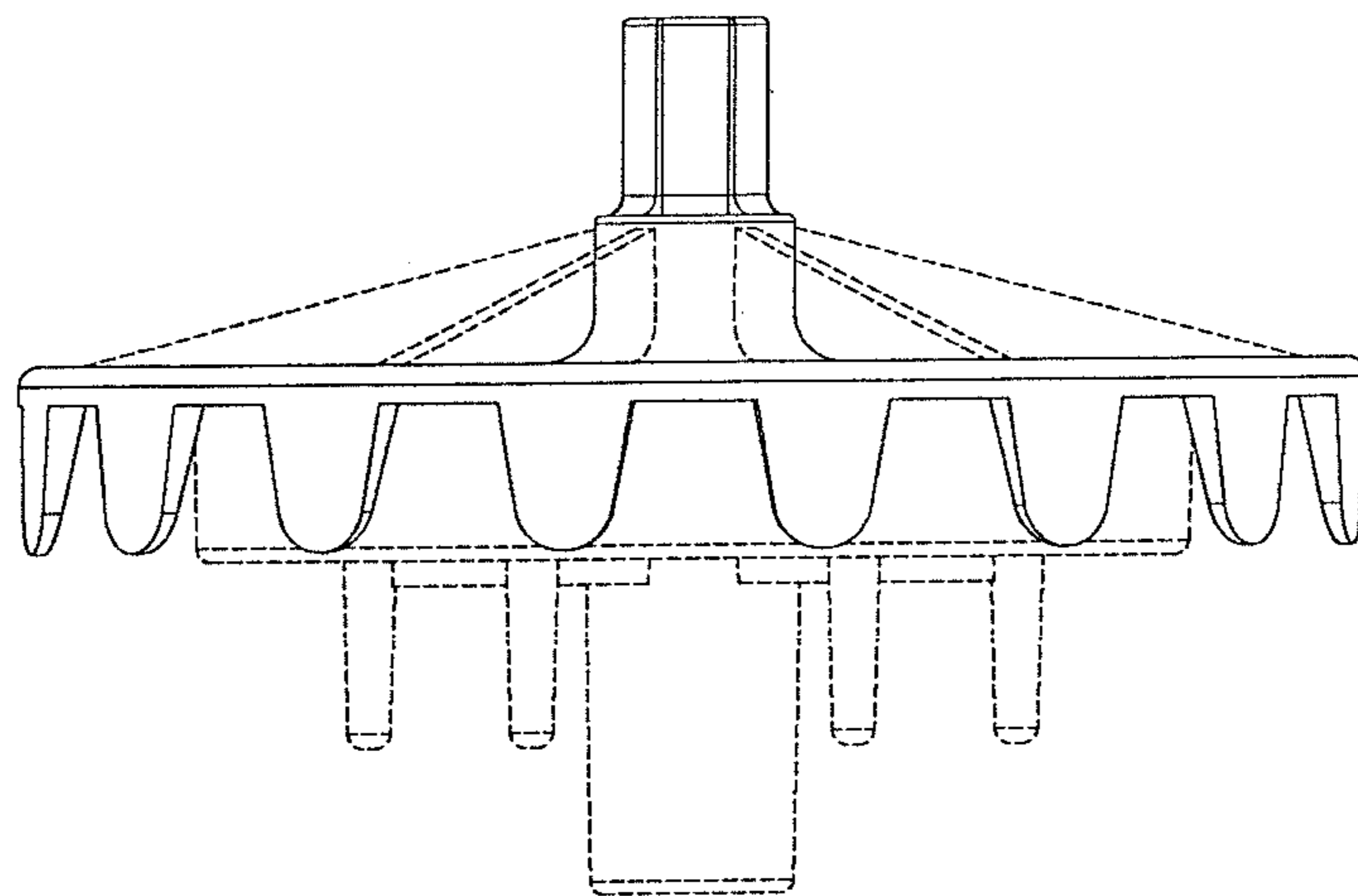


Figure 4

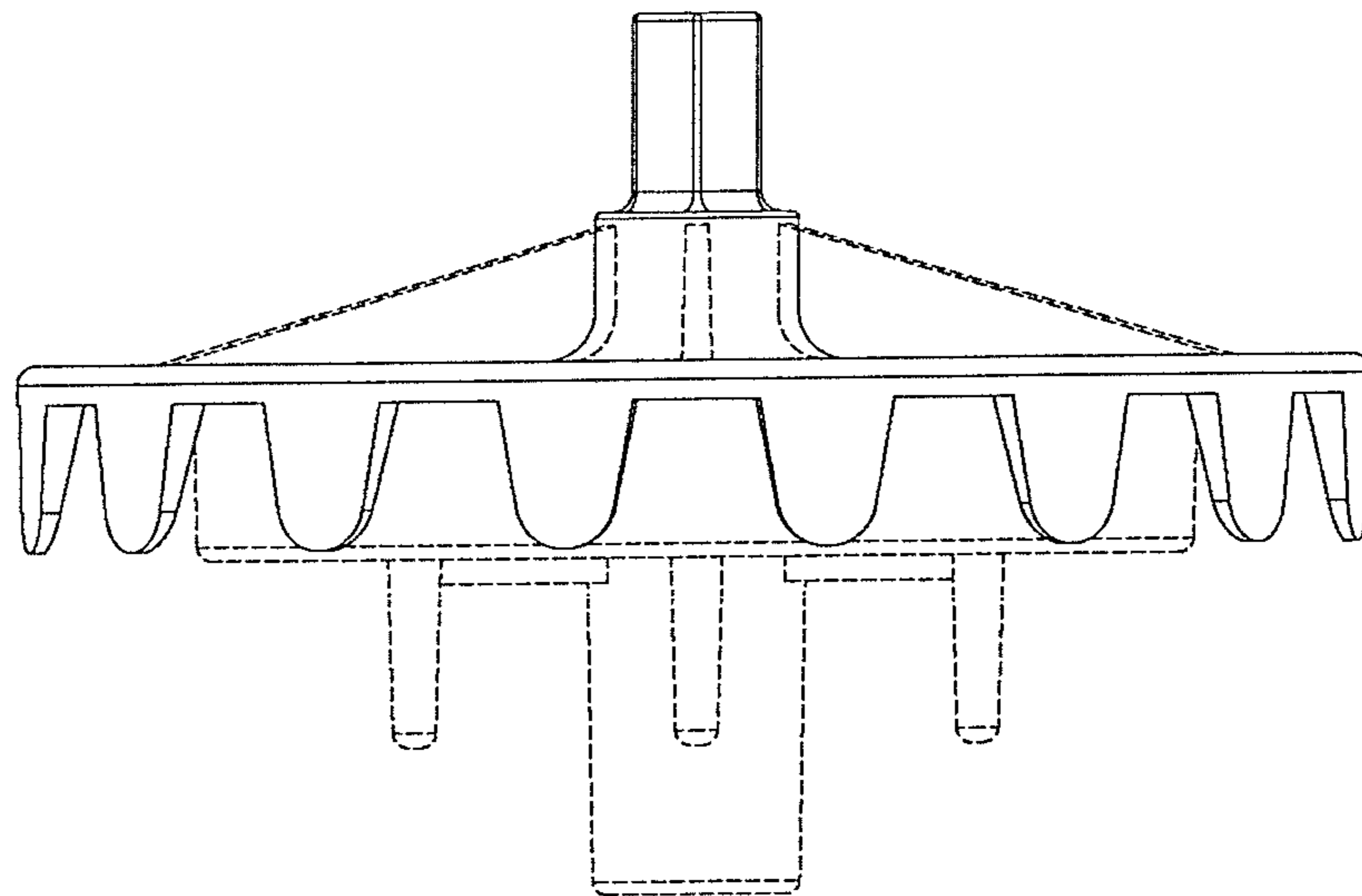


Figure 5

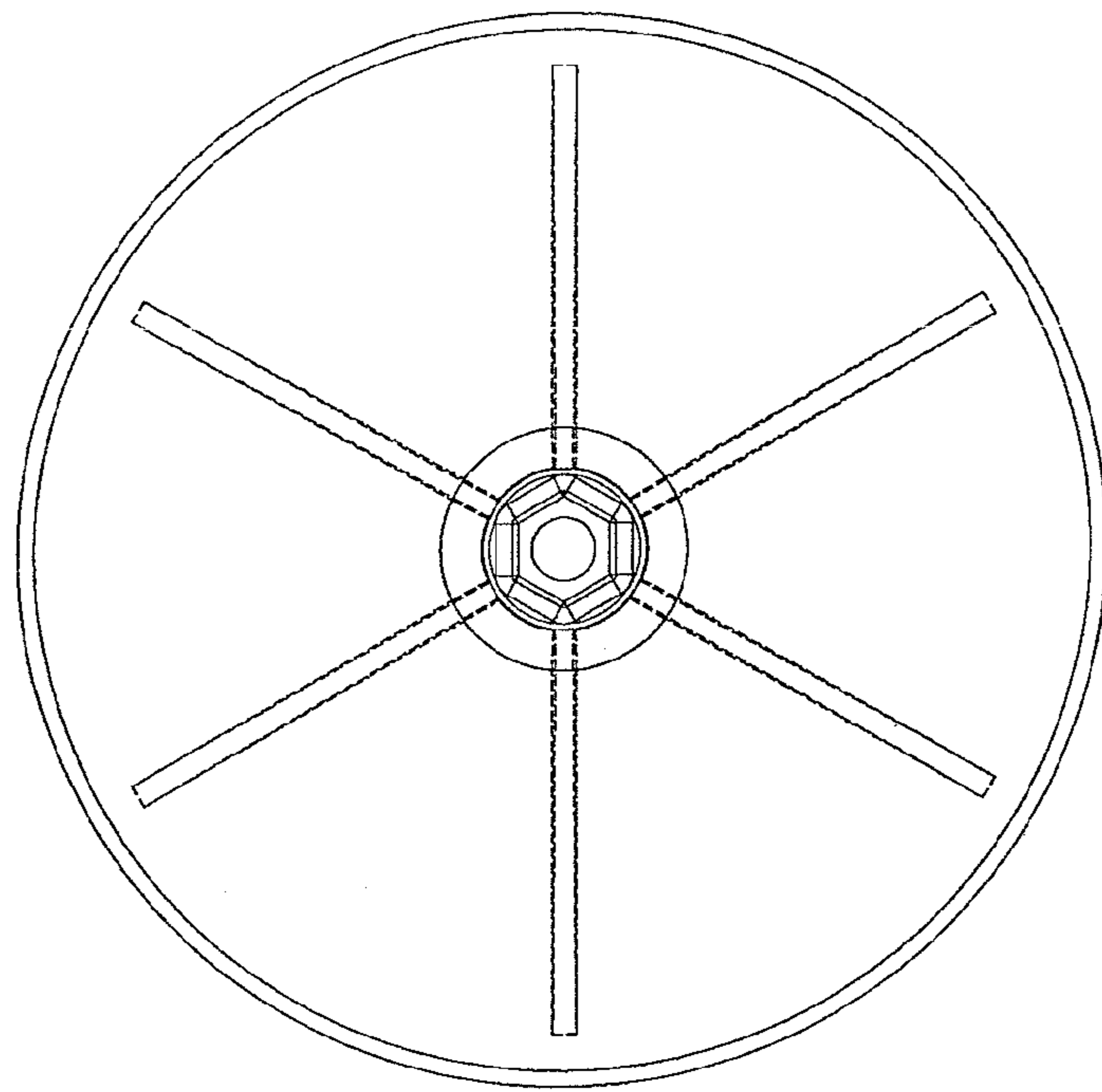


Figure 6