



US00D685247S

(12) **United States Design Patent**
Tatic

(10) **Patent No.:** **US D685,247 S**

(45) **Date of Patent:** **** Jul. 2, 2013**

(54) **AXE**

D356,480 S * 3/1995 Ronnholm et al. D8/76
D362,795 S * 10/1995 Ronnholm D8/76
D648,610 S * 11/2011 Paloheimo D8/78

(75) Inventor: **Aleksandar Tatic**, Ulm (DE)

(73) Assignee: **Gardena Manufacturing GmbH**, Ulm (DE)

(**) Term: **14 Years**

(21) Appl. No.: **29/410,817**

(22) Filed: **Jan. 12, 2012**

(30) **Foreign Application Priority Data**

Jul. 12, 2011 (EM) 001284889

(51) **LOC (9) Cl.** **08-02**

(52) **U.S. Cl.**
USPC **D8/76**

(58) **Field of Classification Search**
USPC D8/76-81, 107; 7/145, 158; 30/123,
30/308.1-308.3; 144/195.5; 76/103; D22/117,
D22/118

See application file for complete search history.

(56) **References Cited**

U.S. PATENT DOCUMENTS

327,275 A * 9/1885 Kelly 30/308.1
402,936 A * 5/1889 Kelly 30/308.1
653,234 A * 7/1900 Graham 30/308.1
910,763 A * 1/1909 Yeatts 30/308.1
1,128,871 A * 2/1915 Holik 403/243

OTHER PUBLICATIONS

Fiskars Axe Photo from Website: snagged Mar. 10, 2013 at <http://ger-de.fiskars.com/>.
Fiskars 17-Inch Splitting Axe, Downloaded from http://www.sears.com/shc/s/p_10153_12605_07102109000P?sid=IDX20070921x00003d&... On Mar. 10, 2013.*
Fiskars Spaltaxt X17. Downloaded from <http://ger-de.fiskars.com/Produkte/Holzbearbeitung/Axte/122460-Spaltaxt-X17> on Mar. 10, 2013.*

* cited by examiner

Primary Examiner — Philip S Hyder

Assistant Examiner — Roselynn Cody

(74) *Attorney, Agent, or Firm* — Nelson Mullins Riley & Scarborough LLP

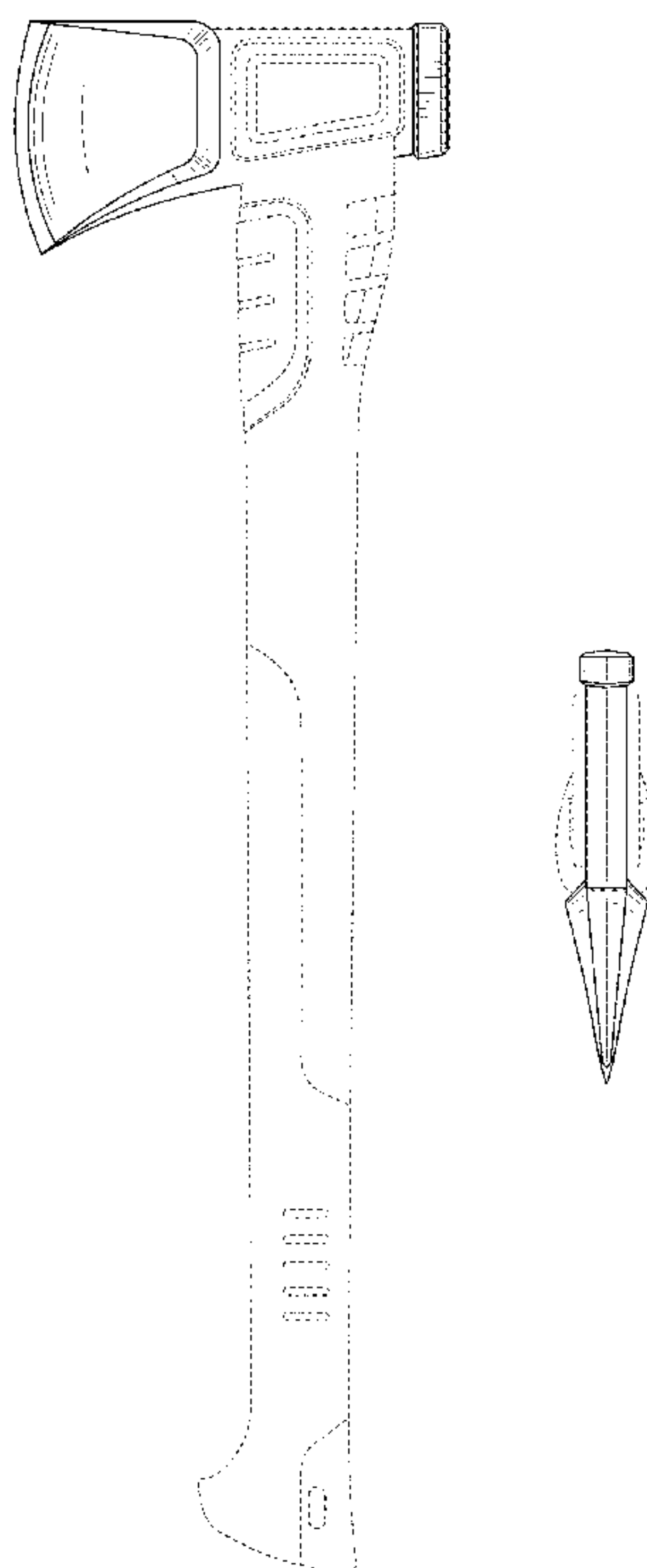
(57) **CLAIM**

The ornamental design for an axe, as shown and described.

DESCRIPTION

FIG. 1 is a perspective view of an axe in accordance with an embodiment of the present invention; and
FIG. 2 is a right side view of the axe of FIG. 1;
FIG. 3 is a left side view of the axe of FIG. 1;
FIG. 4 is a front view of the axe of FIG. 1;
FIG. 5 is a back view of the axe of FIG. 1;
FIG. 6 is a top view of the axe of FIG. 1; and
FIG. 7 is a bottom view of the axe of FIG. 1.
The broken lines of FIGS. 1-7 are illustrative of the visible environmental structure of the axe and form no part of the claimed design.

1 Claim, 6 Drawing Sheets



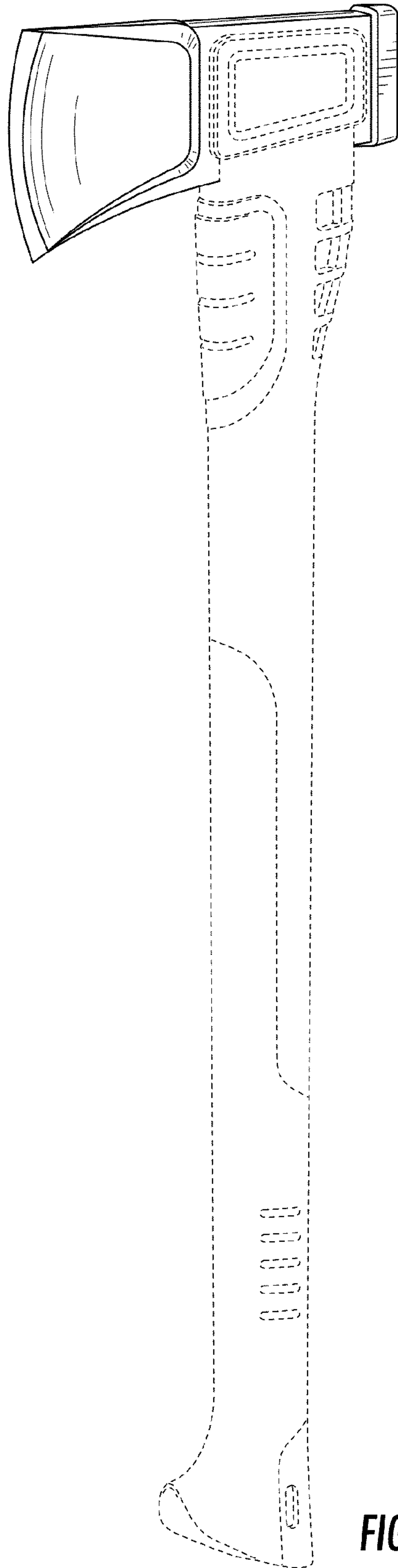


FIG. 1

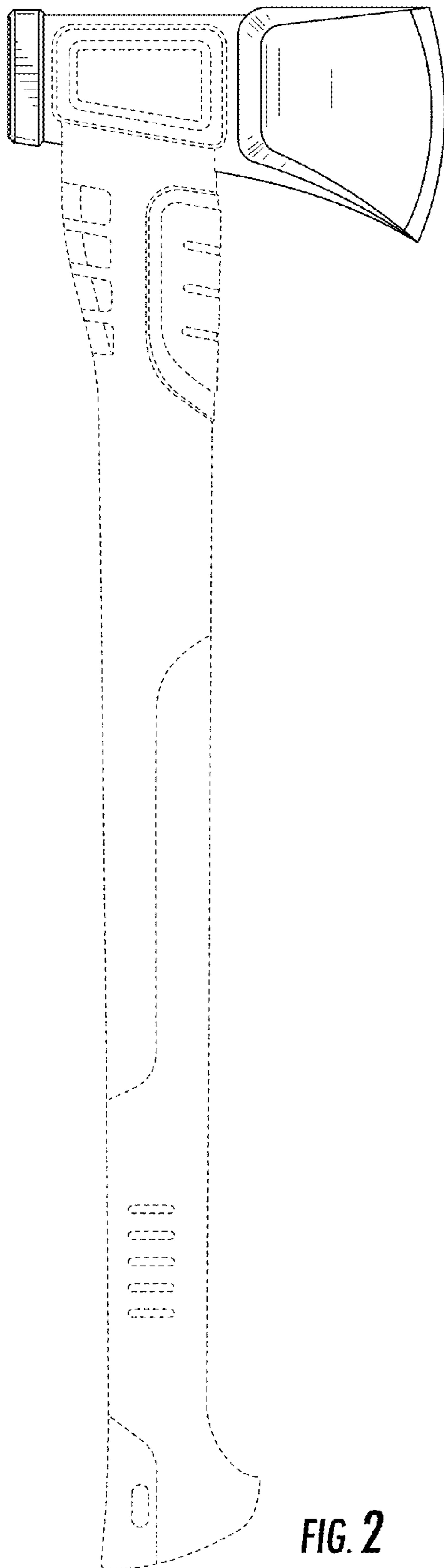


FIG. 2

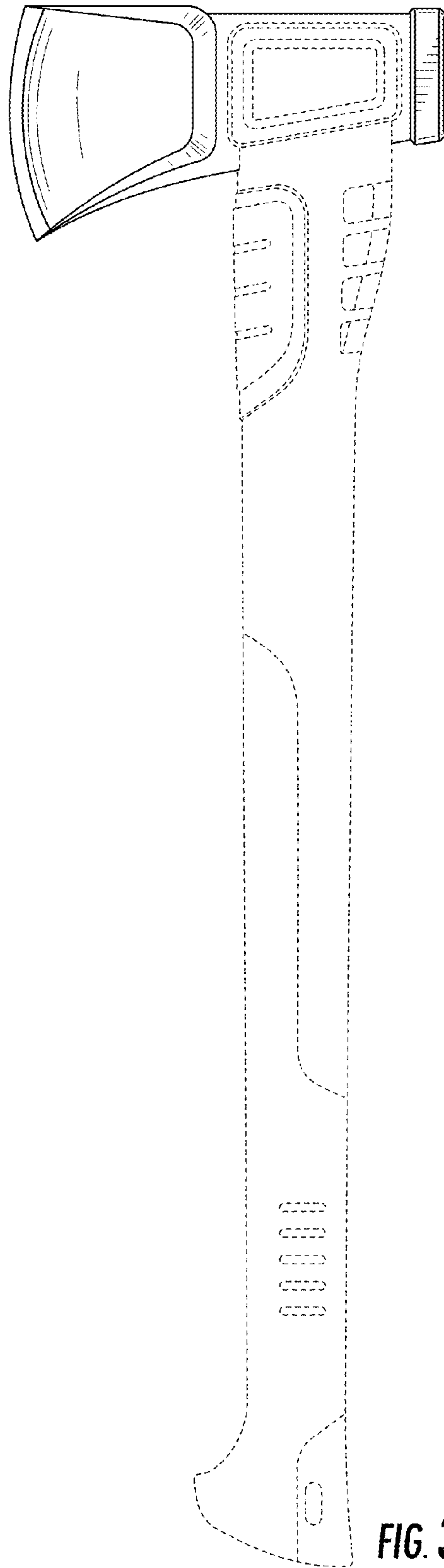


FIG. 3



FIG. 4

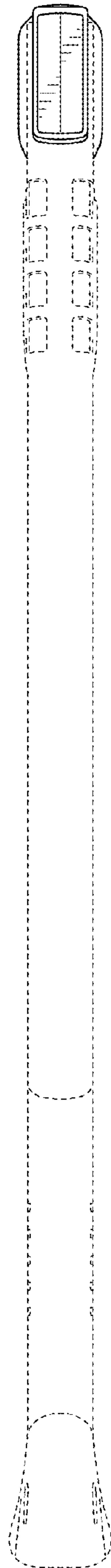


FIG. 5

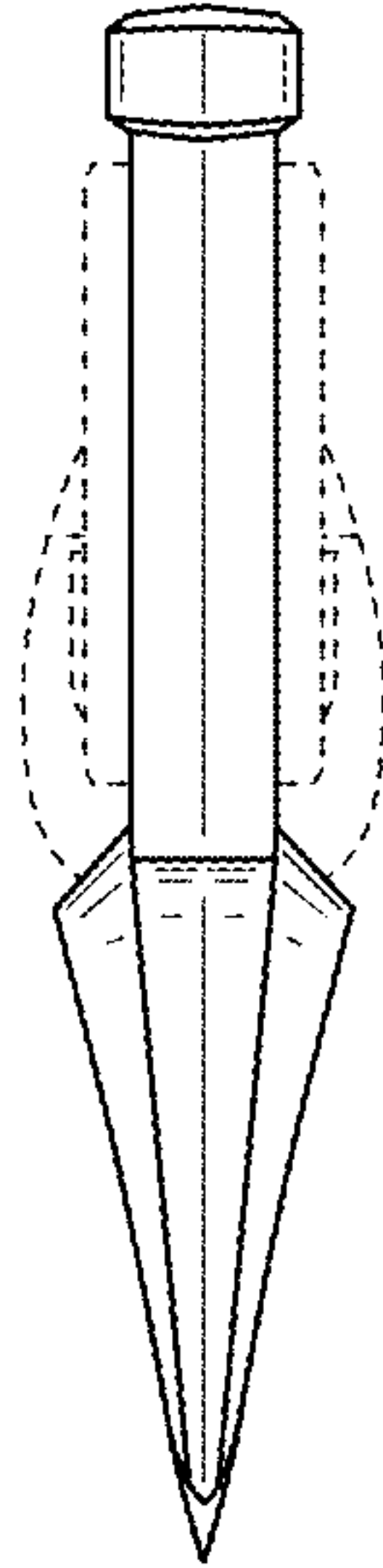


FIG. 6

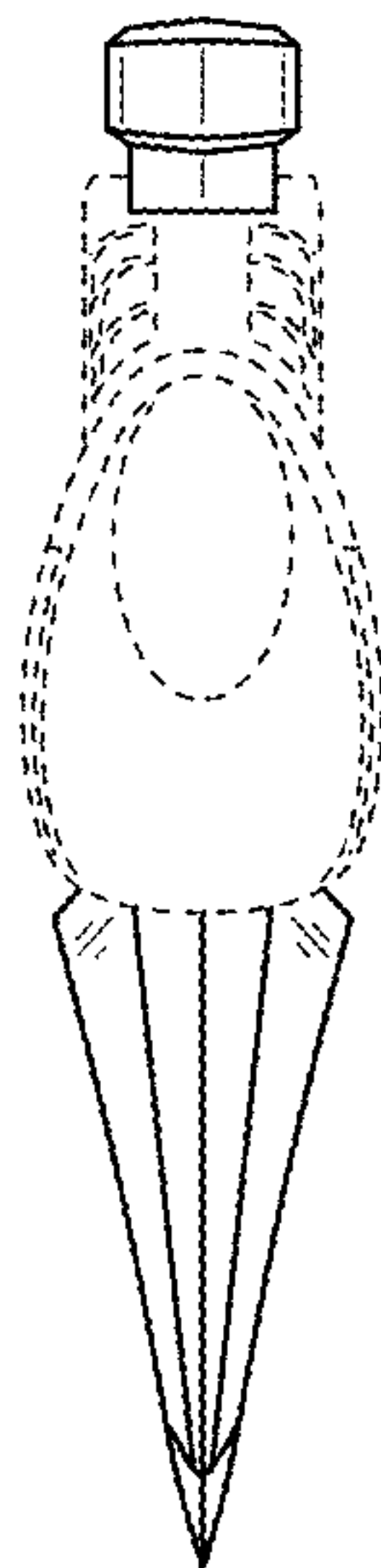


FIG. 7