



US00D685246S

(12) **United States Design Patent**
Tatic

(10) **Patent No.:** **US D685,246 S**

(45) **Date of Patent:** **** Jul. 2, 2013**

(54) **AXE**

(75) Inventor: **Aleksandar Tatic**, Ulm (DE)

(73) Assignee: **Gardena Manufacturing GmbH**, Ulm (DE)

(**) Term: **14 Years**

(21) Appl. No.: **29/410,797**

(22) Filed: **Jan. 12, 2012**

(30) **Foreign Application Priority Data**

Jul. 12, 2011 (EM) 001284889

(51) **LOC (9) Cl.** **08-02**

(52) **U.S. Cl.**
USPC **D8/76**

(58) **Field of Classification Search**
USPC D8/76-81, 107; 7/145, 158; 30/123,
30/308.1-308.3; 144/195.5; 76/103; D22/117,
D22/118

See application file for complete search history.

(56) **References Cited**

U.S. PATENT DOCUMENTS

1,264,776	A *	4/1918	Cox	30/308.1
D117,803	S *	11/1939	Vaughan	D8/76
2,738,815	A *	3/1956	Hoeldtke	30/308.1
D183,411	S *	8/1958	Tretheway	D8/76
D209,381	S *	11/1967	Reuterfors	D8/76
D243,314	S *	2/1977	Hedvall	D8/76
5,141,353	A *	8/1992	Meredith et al.	403/267
D354,212	S *	1/1995	Ronnholm et al.	D8/76
5,701,675	A *	12/1997	Hall et al.	30/123
D402,874	S *	12/1998	Hall et al.	D8/76

D519,813	S *	5/2006	Hung	D8/76
D521,843	S *	5/2006	Hung	D8/78
D607,295	S *	1/2010	Knight	D8/78
2005/0102845	A1 *	5/2005	Dallas et al.	30/308.1

OTHER PUBLICATIONS

Fiskars 17-Inch Splitting Axe. Downloaded from http://www.sears.com/shc/s/p_10153_12605_07102109000P?sid=IDx20070921x00003d&... on Mar. 10, 2013.*

Fiskars Universalaxt X15. Downloaded from <http://ger-de.fiskars.com/Produkte/Holzbearbeitung/Axte/121460-Universalaxt-X15> on Mar. 10, 2013.*

* cited by examiner

Primary Examiner — Philip S Hyder

Assistant Examiner — Roselynn Cody

(74) *Attorney, Agent, or Firm* — Nelson Mullins Riley & Scarborough LLP

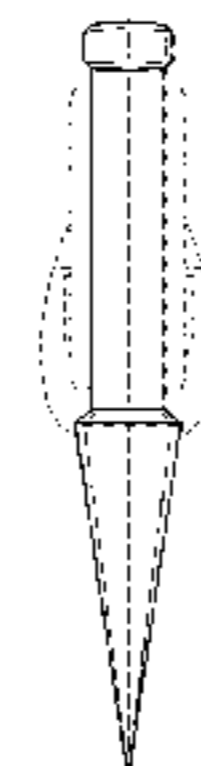
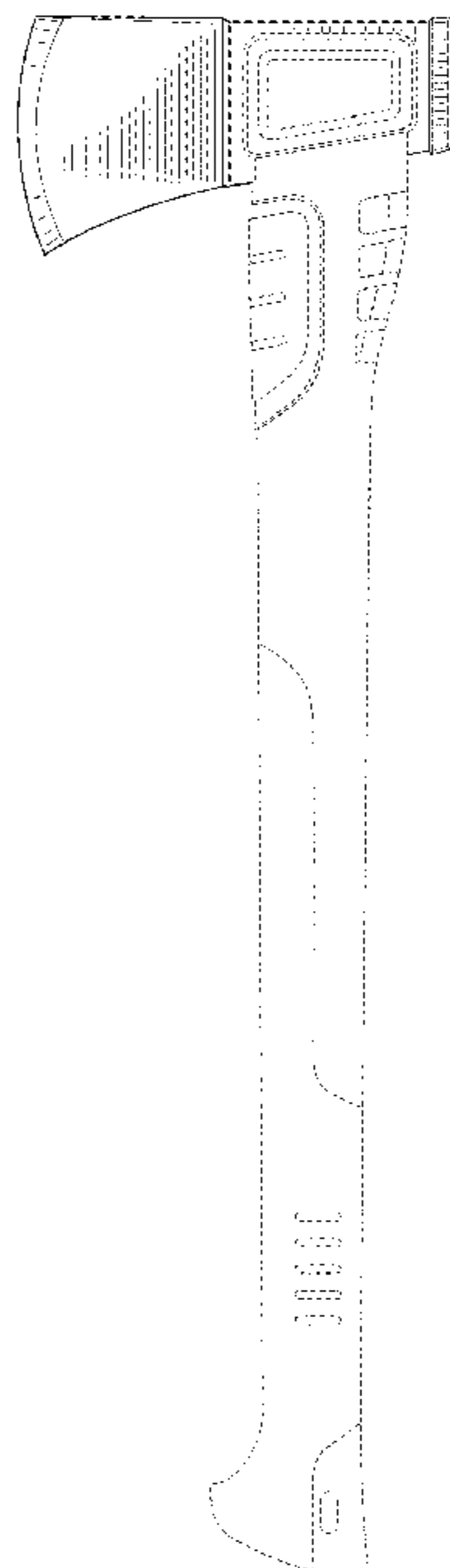
(57) **CLAIM**

The ornamental design for an axe, as shown and described.

DESCRIPTION

FIG. 1 is a perspective view of an axe in accordance with an embodiment of the present invention; and FIG. 2 is a right side view of the axe of FIG. 1; FIG. 3 is a left side view of the axe of FIG. 1; FIG. 4 is a front view of the axe of FIG. 1; FIG. 5 is a back view of the axe of FIG. 1; FIG. 6 is a top view of the axe of FIG. 1; and, FIG. 7 is a bottom view of the axe of FIG. 1. The broken lines of FIGS. 1-7 are illustrative of the visible environmental structure of the axe and form no part of the claimed design.

1 Claim, 6 Drawing Sheets



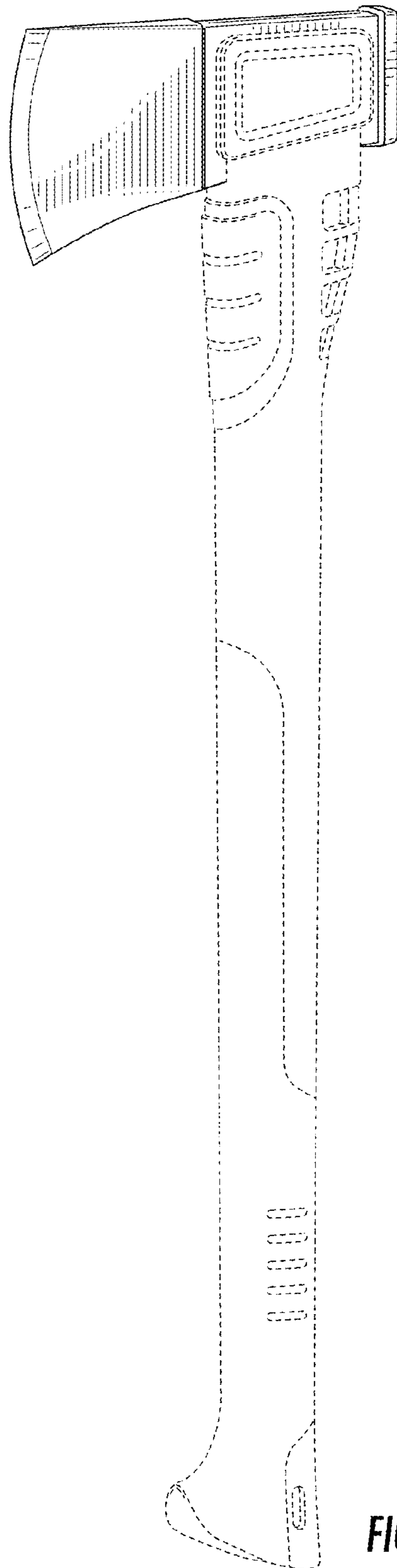


FIG. 1

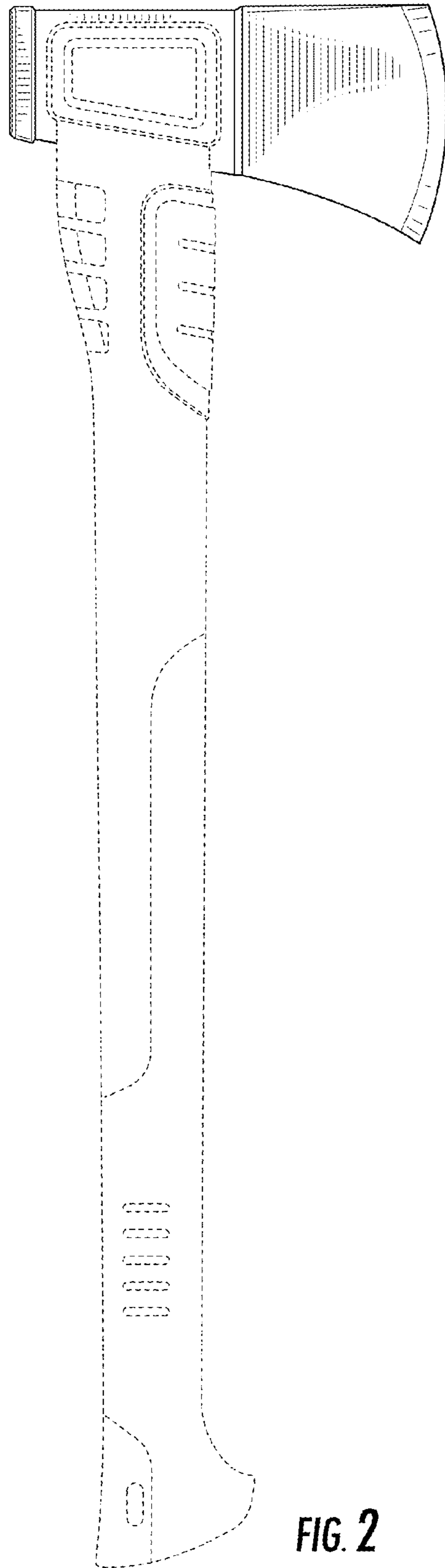


FIG. 2

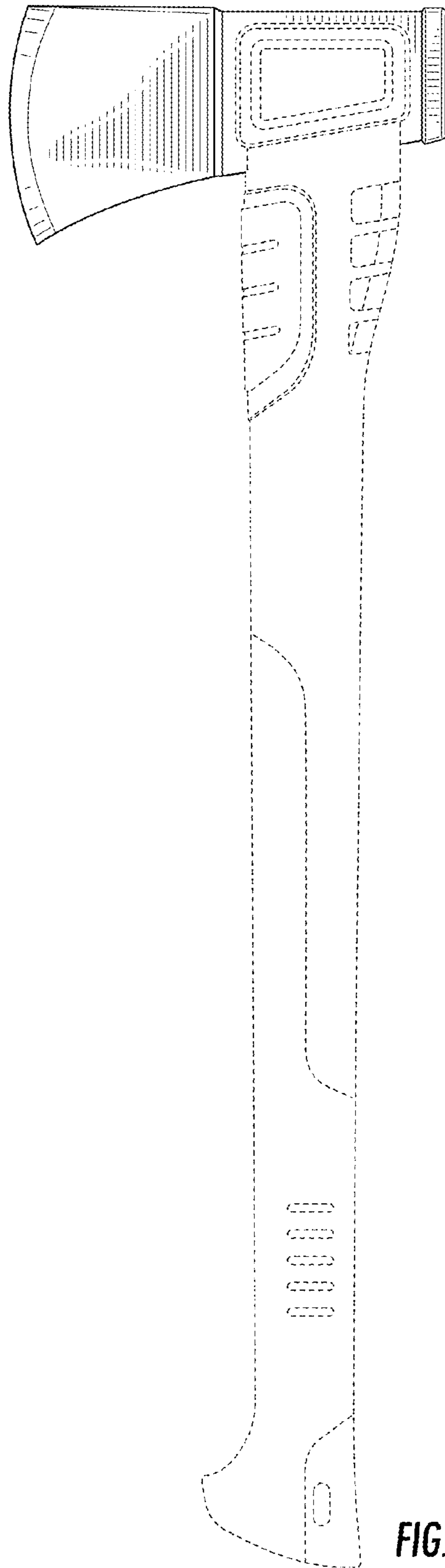


FIG. 3

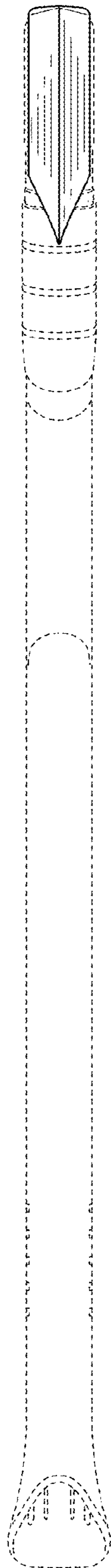


FIG. 4

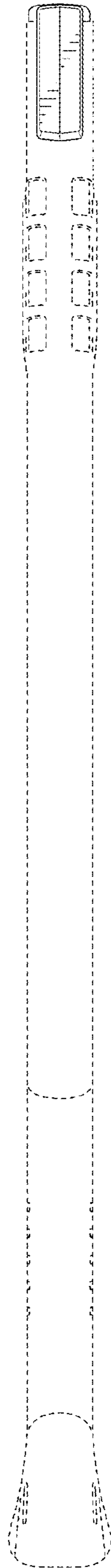


FIG. 5

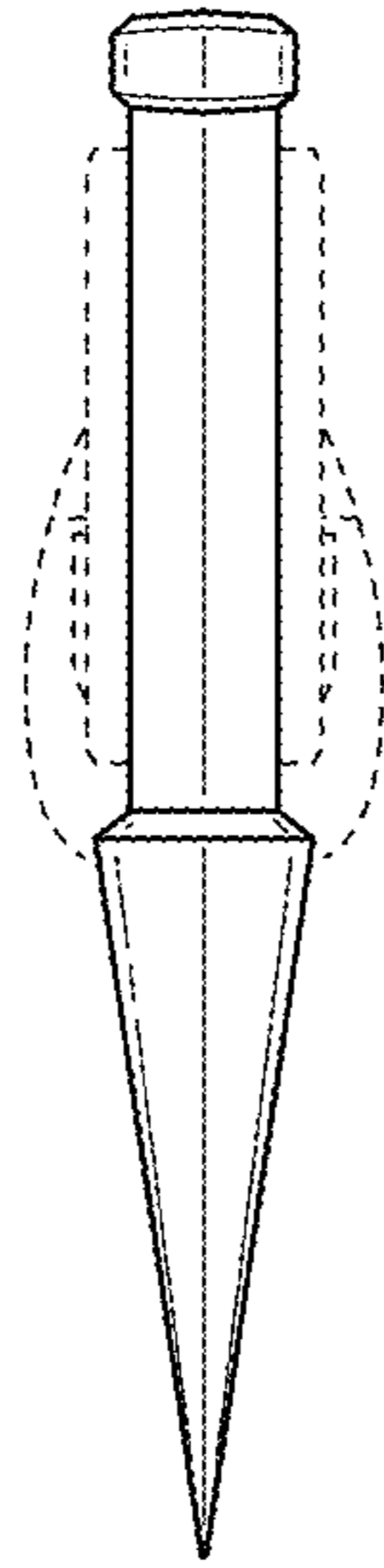


FIG. 6

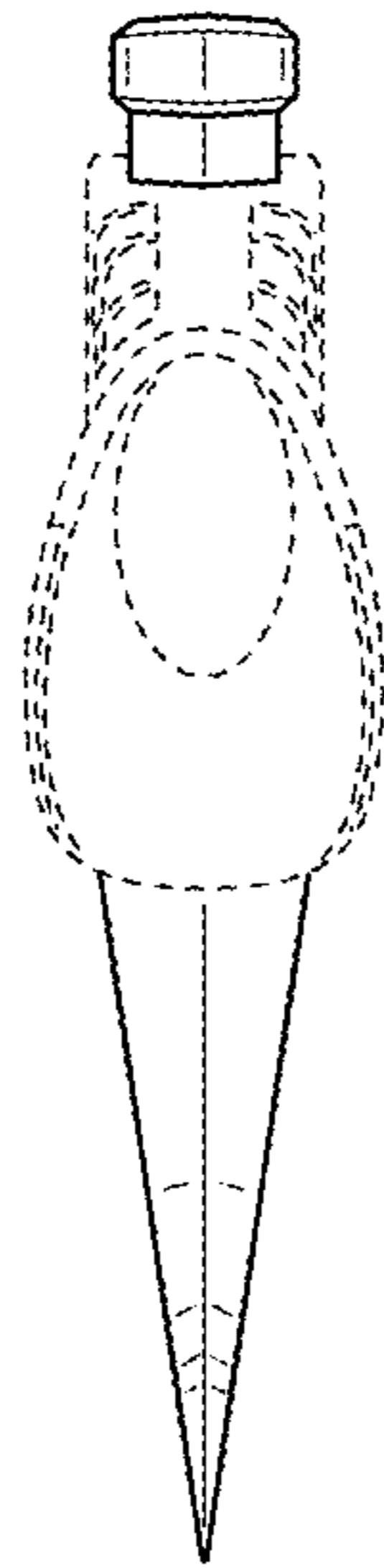


FIG. 7