



US00D685245S

(12) **United States Design Patent**
Tirone et al.

(10) **Patent No.:** **US D685,245 S**
(45) **Date of Patent:** **** Jul. 2, 2013**

(54) **DRILL**

(75) Inventors: **James C. Tirone**, Baltimore, MD (US);
David A. Miller, Baltimore, MD (US);
John Burnie, Baltimore, MD (US);
Robert B. Schoch, Baltimore, MD (US)

(73) Assignee: **Black & Decker Inc.**, Newark, DE (US)

(**) Term: **14 Years**

(21) Appl. No.: **29/427,509**

(22) Filed: **Jul. 19, 2012**

(51) **LOC (9) Cl.** **08-03**

(52) **U.S. Cl.**
USPC **D8/68**

(58) **Field of Classification Search**
USPC ... D8/61, 67, 68; 81/57.11, 429, 469; 173/13,
173/104, 178, 213, 216, 217; 408/20, 124,
408/125, 234, 241 R
See application file for complete search history.

(56) **References Cited**

U.S. PATENT DOCUMENTS

D332,040 S * 12/1992 Hoshino et al. D8/70
D404,275 S * 1/1999 Bunyea et al. D8/68
D423,527 S * 4/2000 Sakamaki D15/140

D489,078 S * 4/2004 Roy D15/140
D542,814 S * 5/2007 Concari D15/140
D599,639 S * 9/2009 Bradford et al. D8/68
D611,319 S * 3/2010 Van Wambeke et al. D8/68
D617,622 S * 6/2010 Lopano D8/68
7,766,097 B2 * 8/2010 Kondo 173/217
D626,394 S * 11/2010 Lopano D8/68
D642,037 S * 7/2011 Miller et al. D8/68
2003/0143042 A1 * 7/2003 Doyle et al. 408/124
2011/0220379 A1 * 9/2011 Bixler et al. 173/216

* cited by examiner

Primary Examiner — Philip S Hyder

Assistant Examiner — Darlington Ly

(74) *Attorney, Agent, or Firm* — Stephen R. Valancius

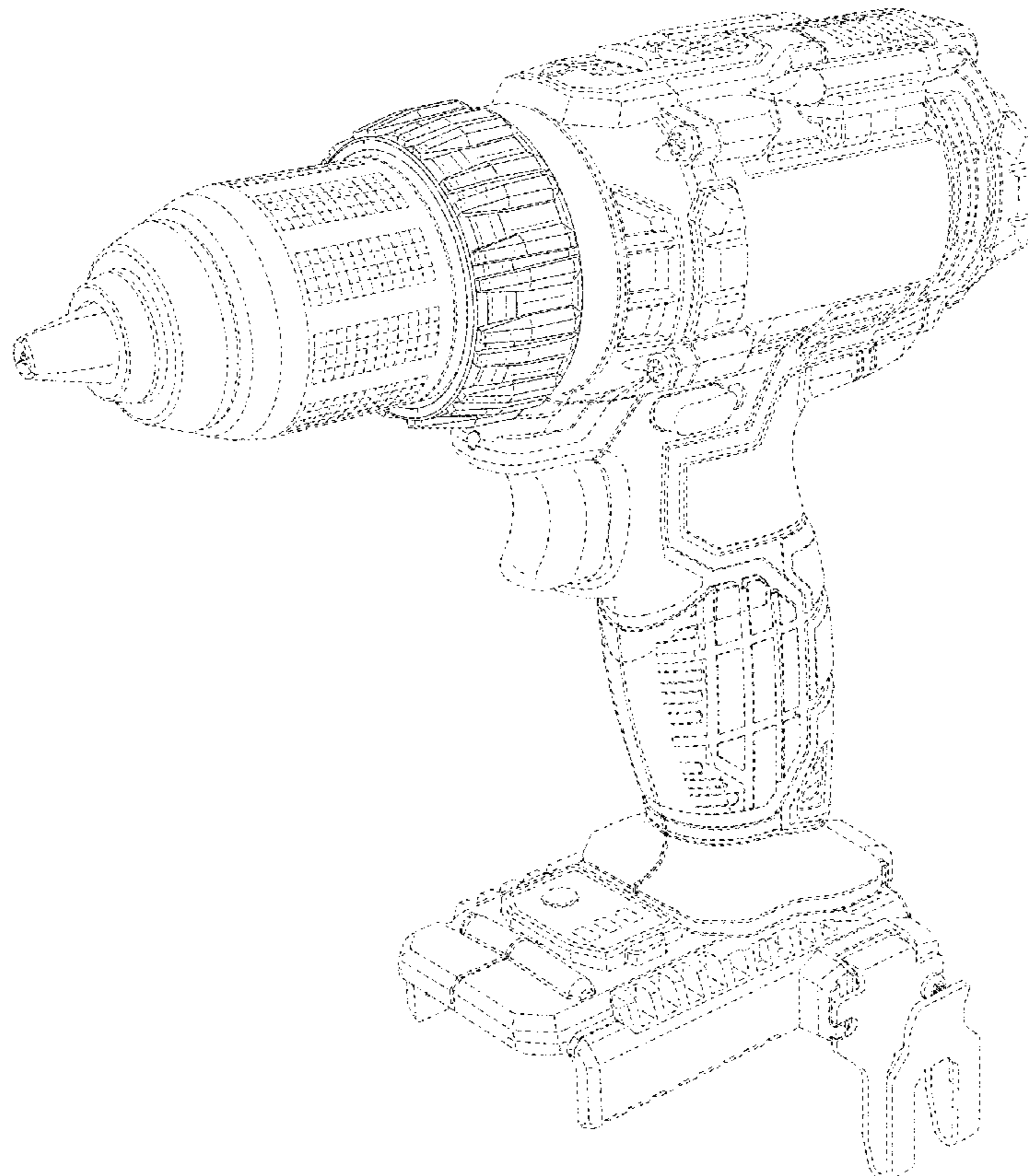
(57) **CLAIM**

The ornamental design for a drill, as shown and described.

DESCRIPTION

FIG. 1 is a perspective view of a drill showing our new design;
FIG. 2 is a front view thereof
FIG. 3 is a rear view thereof;
FIG. 4 is a left side view thereof;
FIG. 5 is a right side view thereof;
FIG. 6 is a top plan view thereof; and,
FIG. 7 is a bottom plan view thereof.
In the above drawings, the broken lines and the areas within
the broken lines form no part of the claimed design.

1 Claim, 7 Drawing Sheets



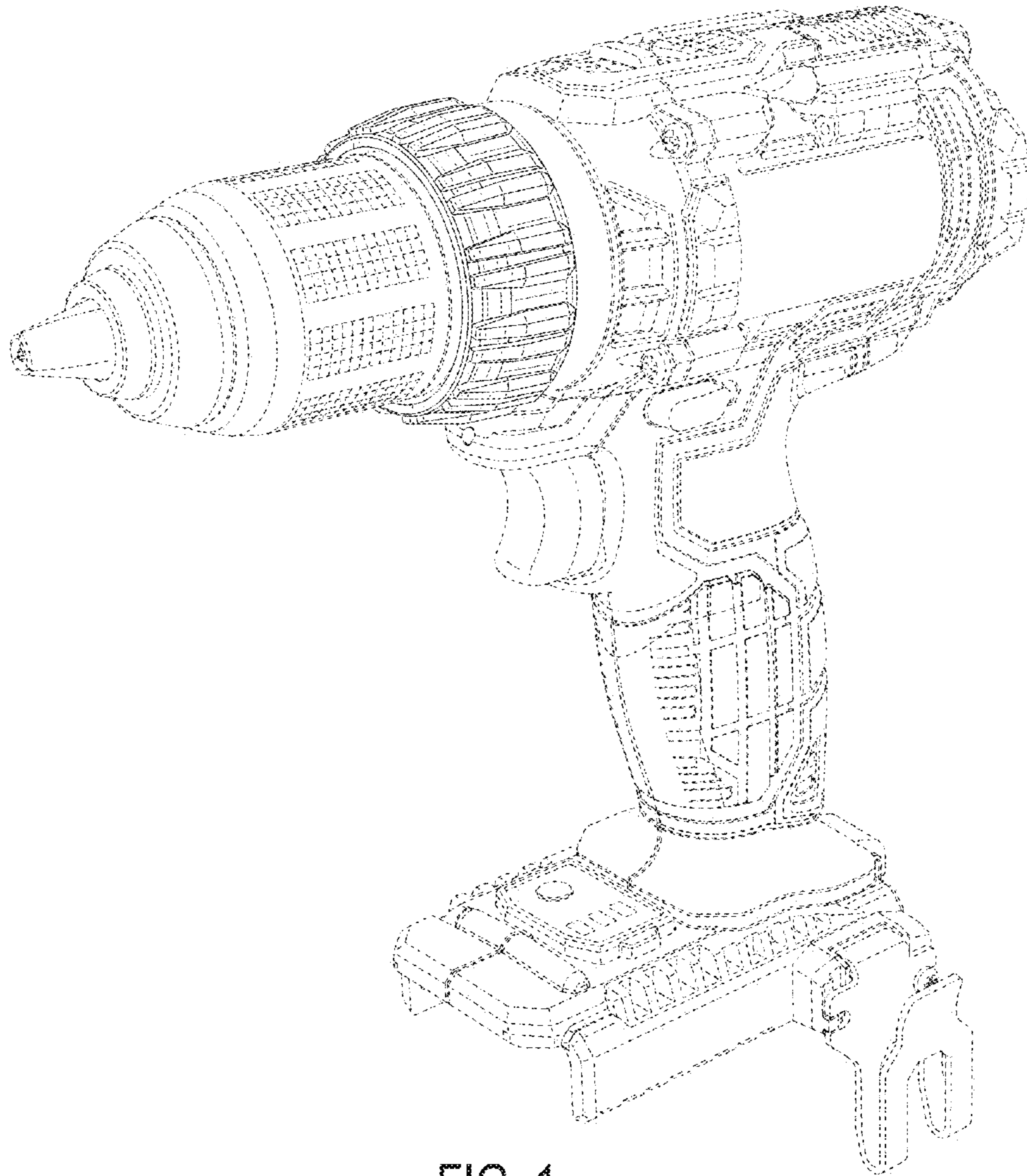


FIG. 1

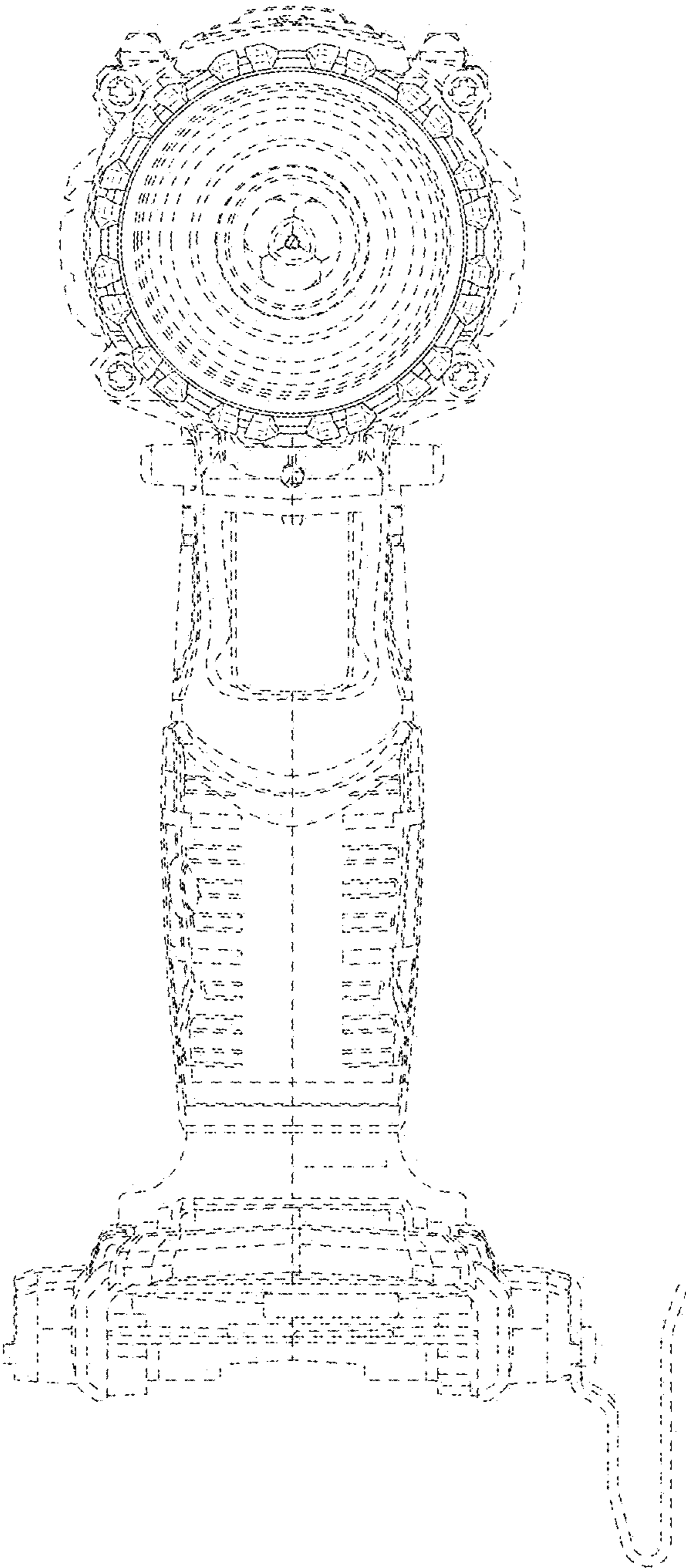


FIG. 2

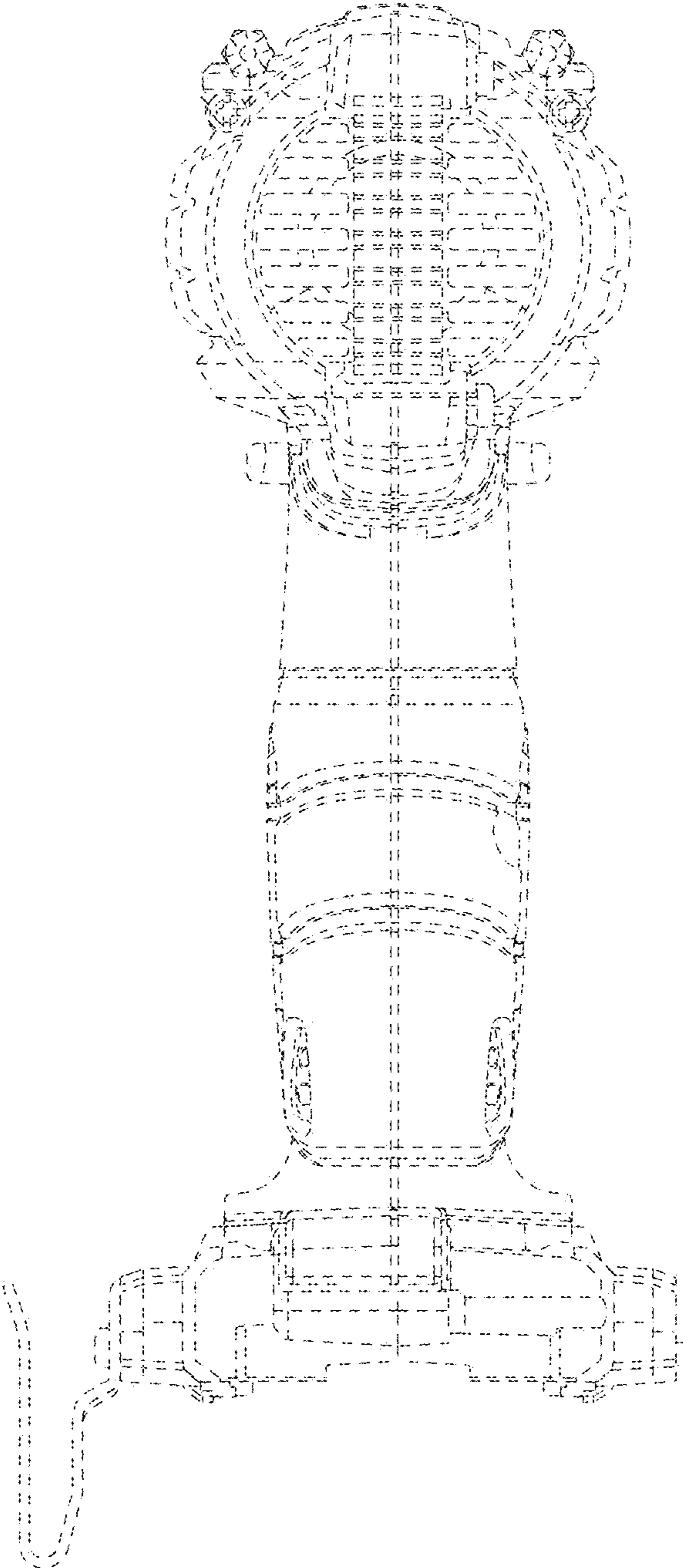


FIG. 3

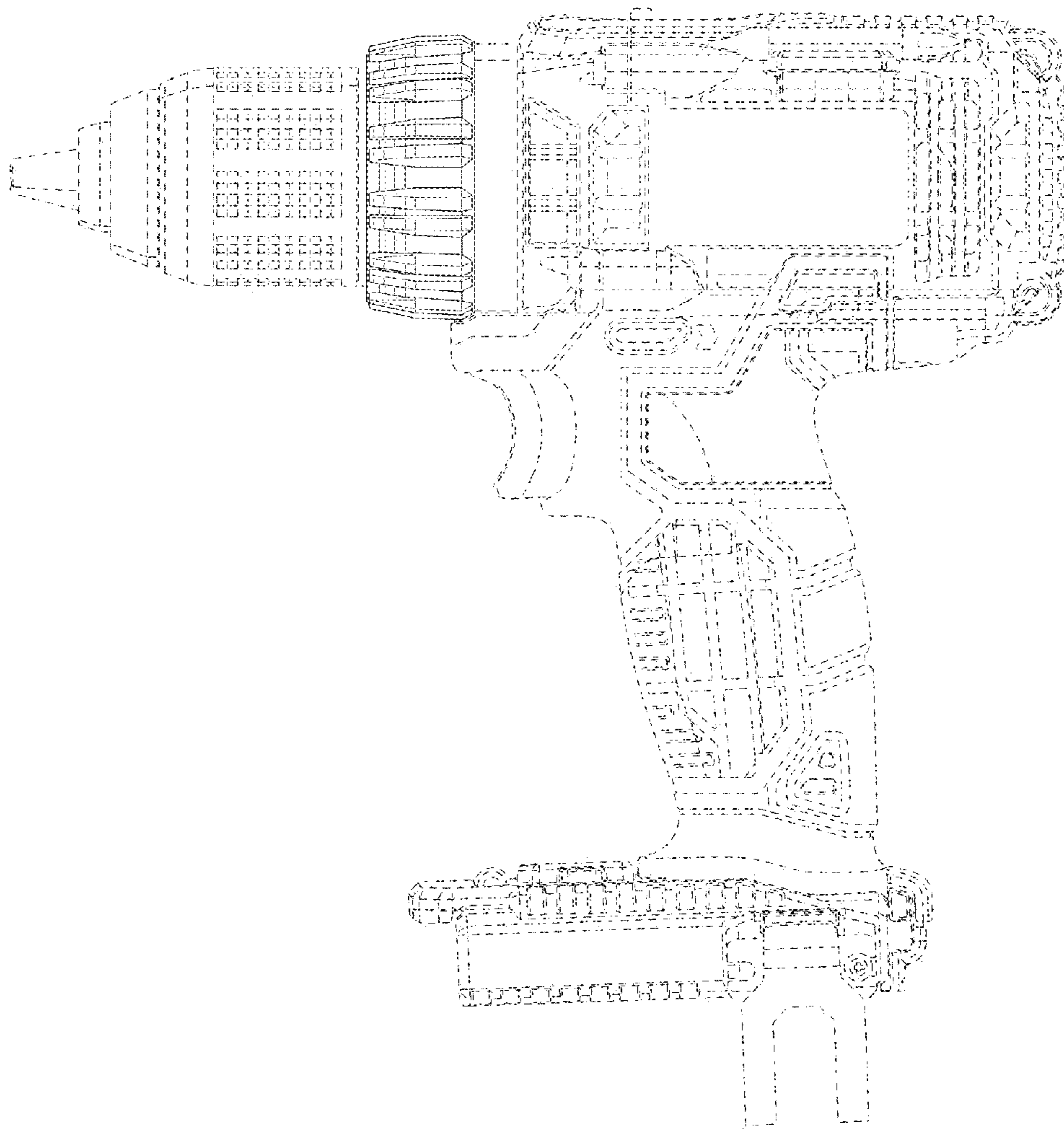


FIG. 4

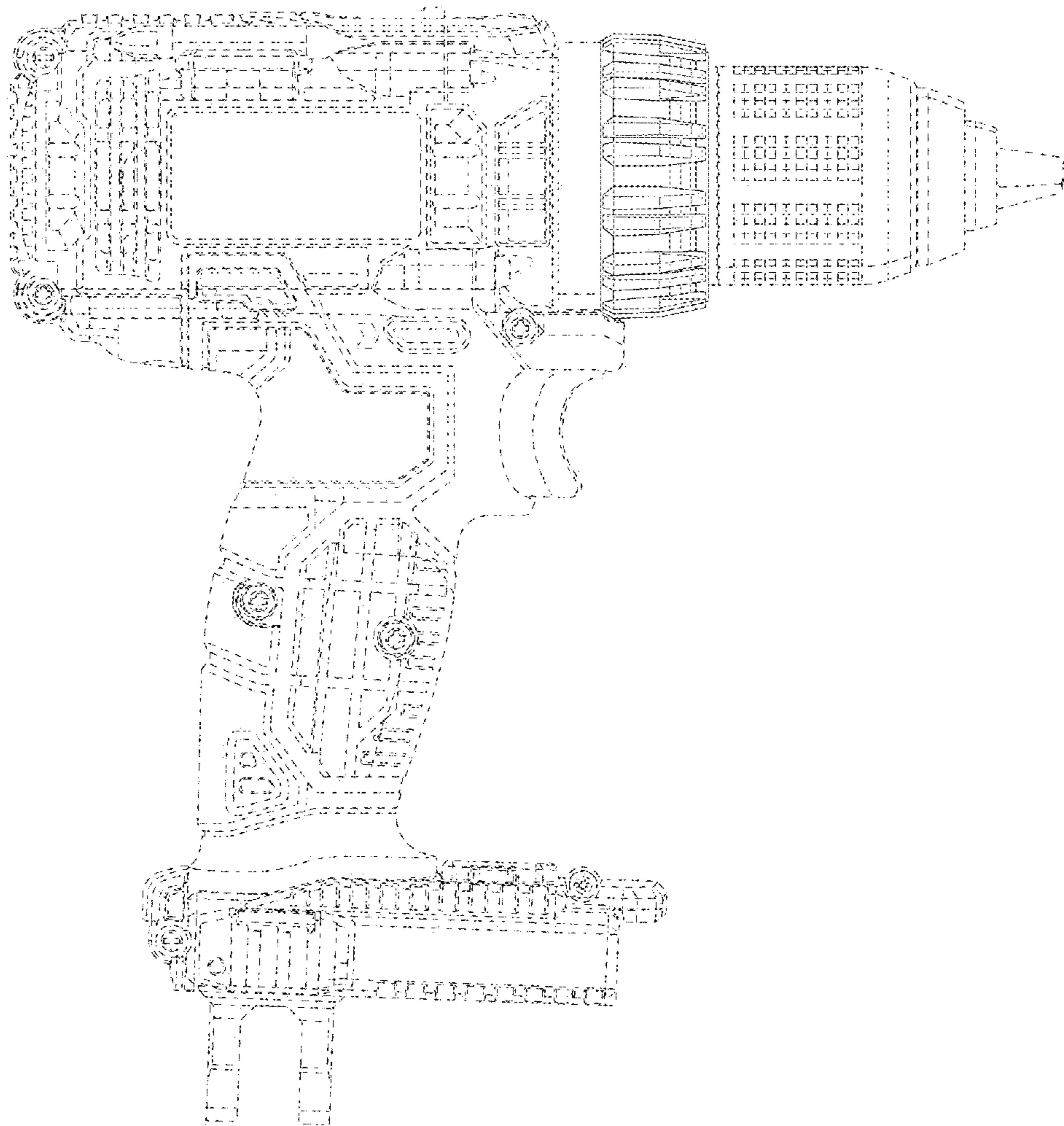


FIG. 5

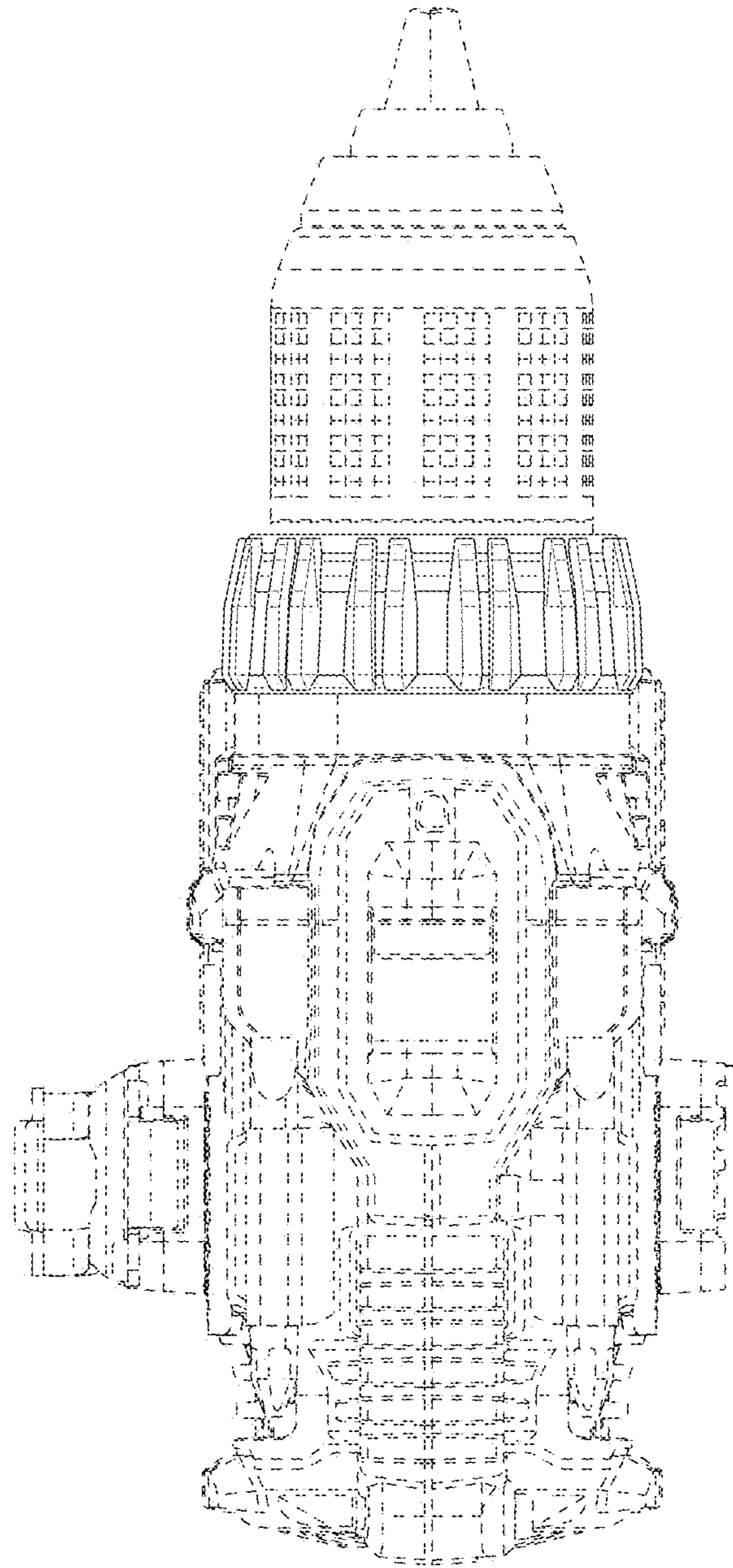


FIG. 6

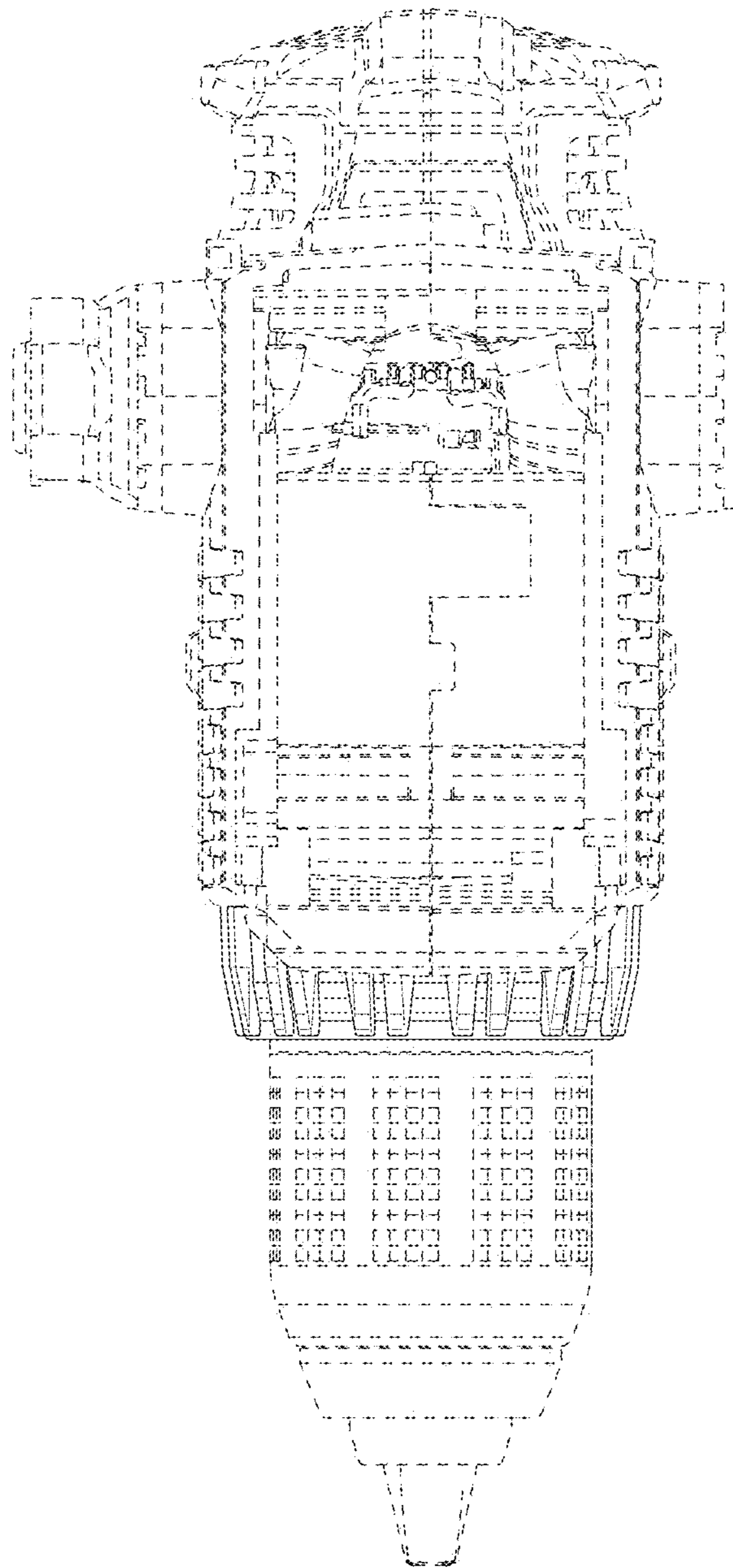


FIG. 7