



US00D685243S

(12) **United States Design Patent**
Waldron

(10) **Patent No.:** **US D685,243 S**

(45) **Date of Patent:** **** Jul. 2, 2013**

(54) **CIRCULAR SAW**

(75) Inventor: **Michael Waldron**, Pocklington (GB)

(73) Assignee: **Hutchin Exports Ltd.**, Tortola (VG)

(**) Term: **14 Years**

(21) Appl. No.: **29/429,732**

(22) Filed: **Aug. 15, 2012**

(51) **LOC (9) Cl.** **08-03**

(52) **U.S. Cl.**
USPC **D8/66**

(58) **Field of Classification Search**
USPC D8/69, 68, 67, 66, 64, 61, 70; 83/698.41,
83/747, 166.3, 374, 373, 375, 376, 391, 377,
83/390, 388, 389; 125/13.01; 144/218
See application file for complete search history.

(56) **References Cited**

U.S. PATENT DOCUMENTS

D421,885 S *	3/2000	Zurwelle et al.	D8/70
D474,952 S *	5/2003	Andriolo	D8/66
D502,073 S *	2/2005	Andriolo	D8/66
D521,836 S *	5/2006	Hastie	D8/66
D522,832 S *	6/2006	Hastie	D8/66
D525,504 S *	7/2006	Corcoran	D8/66
D538,124 S *	3/2007	Yamamoto et al.	D8/66
D552,953 S *	10/2007	Jones	D8/66

D555,450 S *	11/2007	Van Wambeke	D8/66
D596,006 S *	7/2009	Van Wambeke	D8/66
D632,940 S *	2/2011	Yamamoto et al.	D8/66
D638,681 S *	5/2011	Yamada et al.	D8/66
D654,340 S *	2/2012	Kawase et al.	D8/66

* cited by examiner

Primary Examiner — Austin Murphy

(74) *Attorney, Agent, or Firm* — Buchanan Nipper

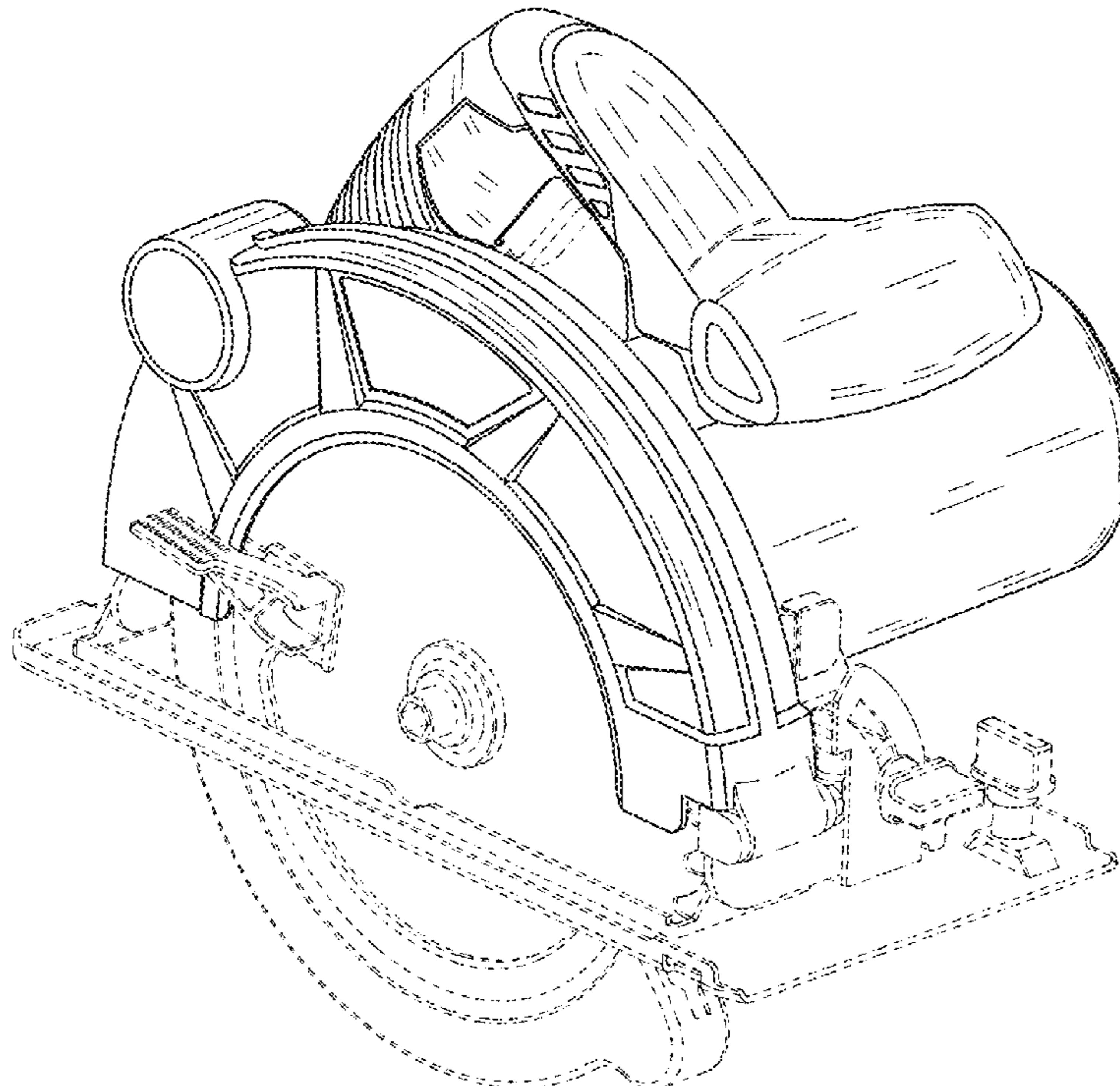
(57) **CLAIM**

I claim the ornamental design for a circular saw, substantially as shown and described.

DESCRIPTION

FIG. 1 is a front perspective view of a circular saw showing my design;
FIG. 2 is a left side view thereof;
FIG. 3 is a right side view thereof;
FIG. 4 is a top plan view thereof;
FIG. 5 is a bottom plan view thereof;
FIG. 6 is a front side view thereof; and,
FIG. 7 is a back side view thereof.
Features shown in dashed lines are for illustrative purposes only, and form no part of the claimed design.
The shade lines in the Figures show contour and not surface ornamentation, and form no part of the claimed design.

1 Claim, 7 Drawing Sheets



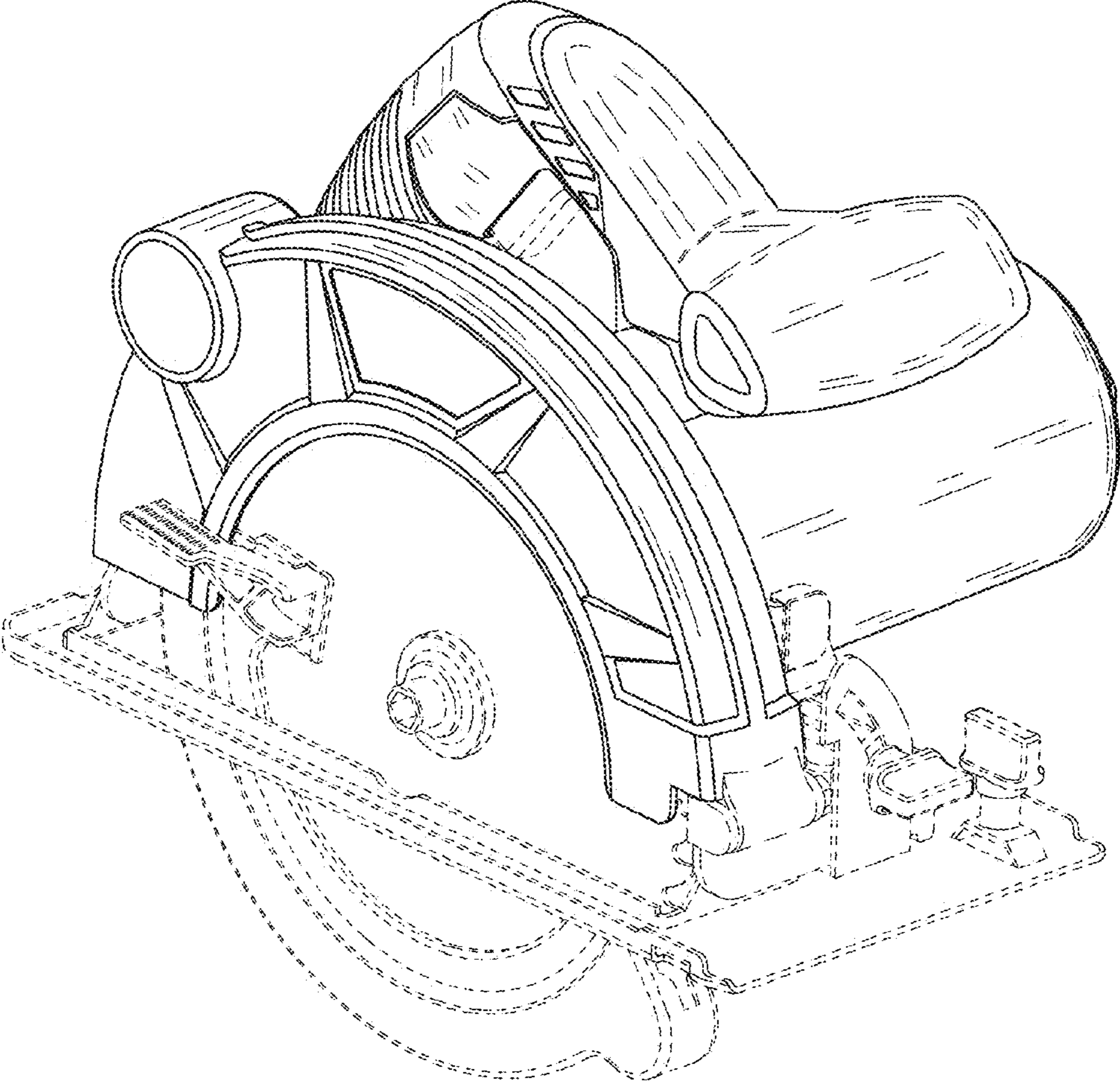


FIG.1

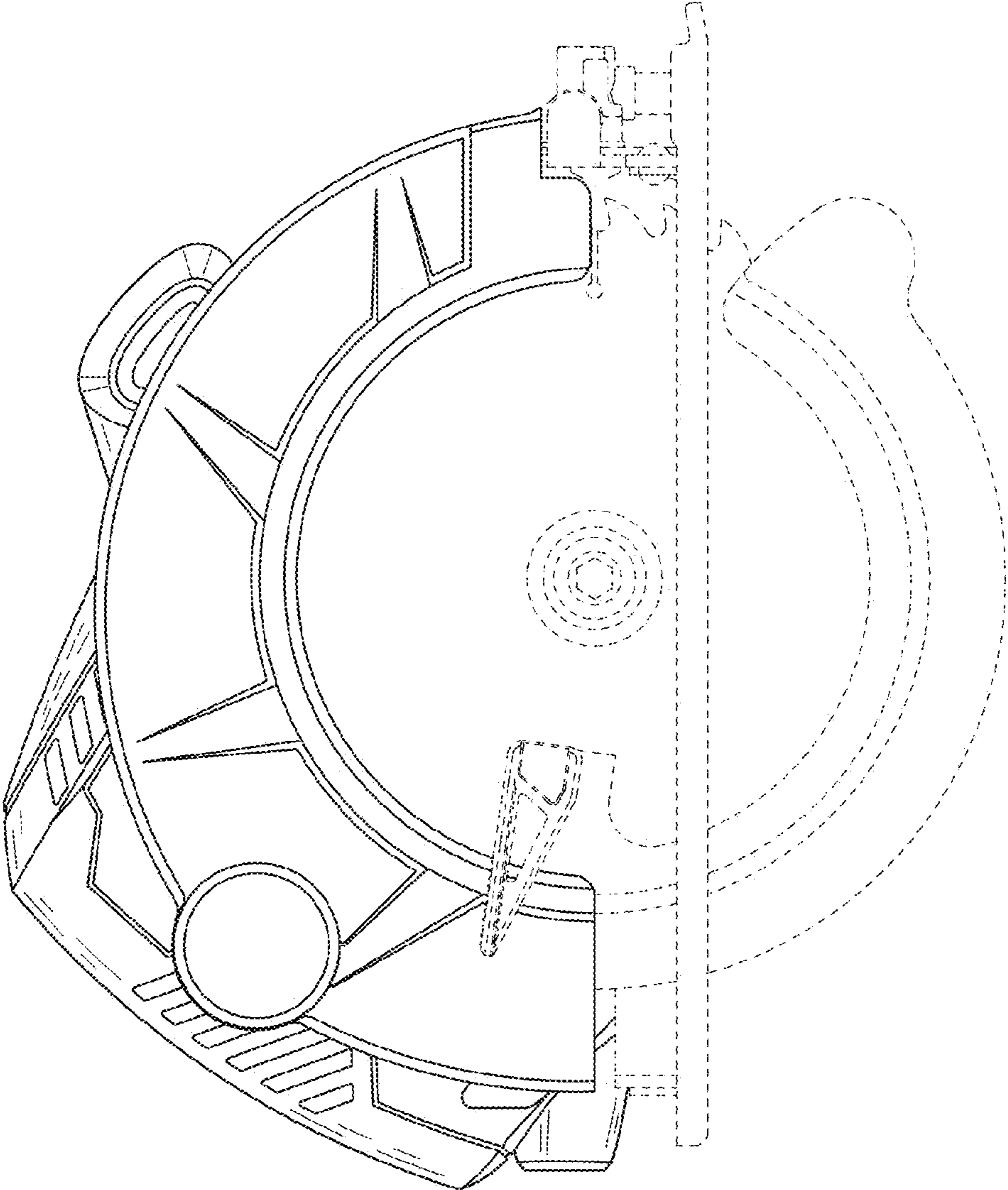


FIG.2

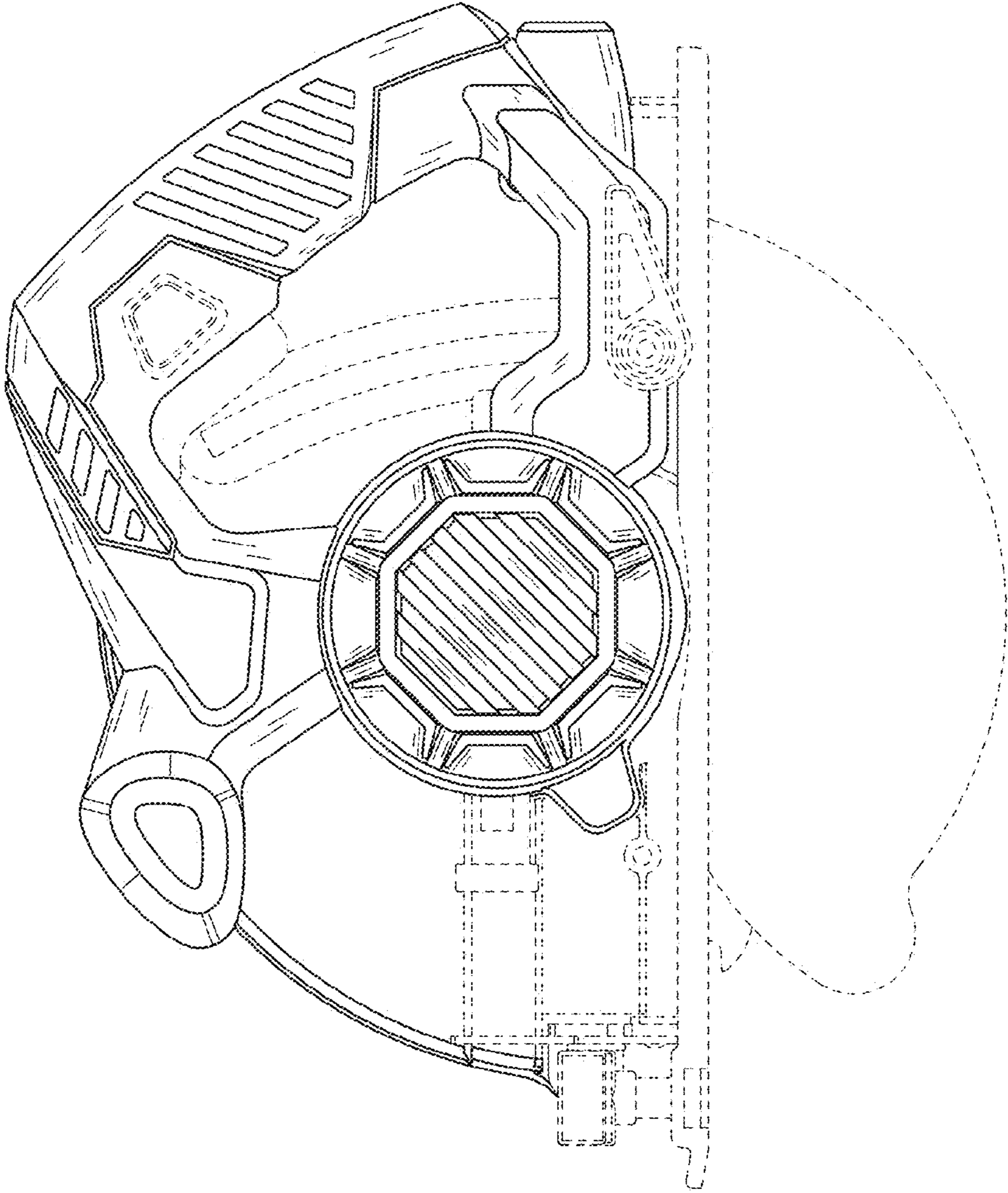


FIG.3

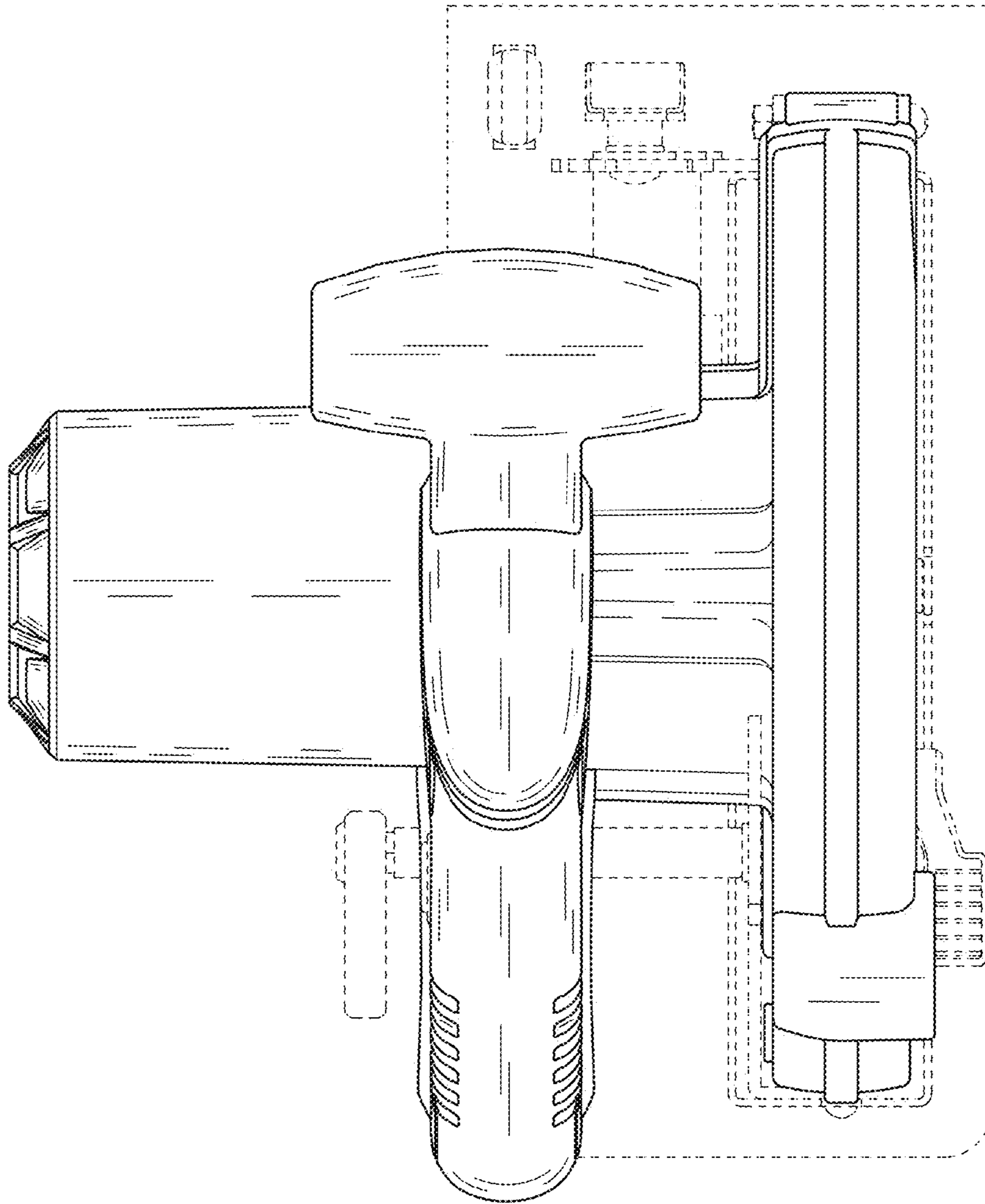


FIG.4

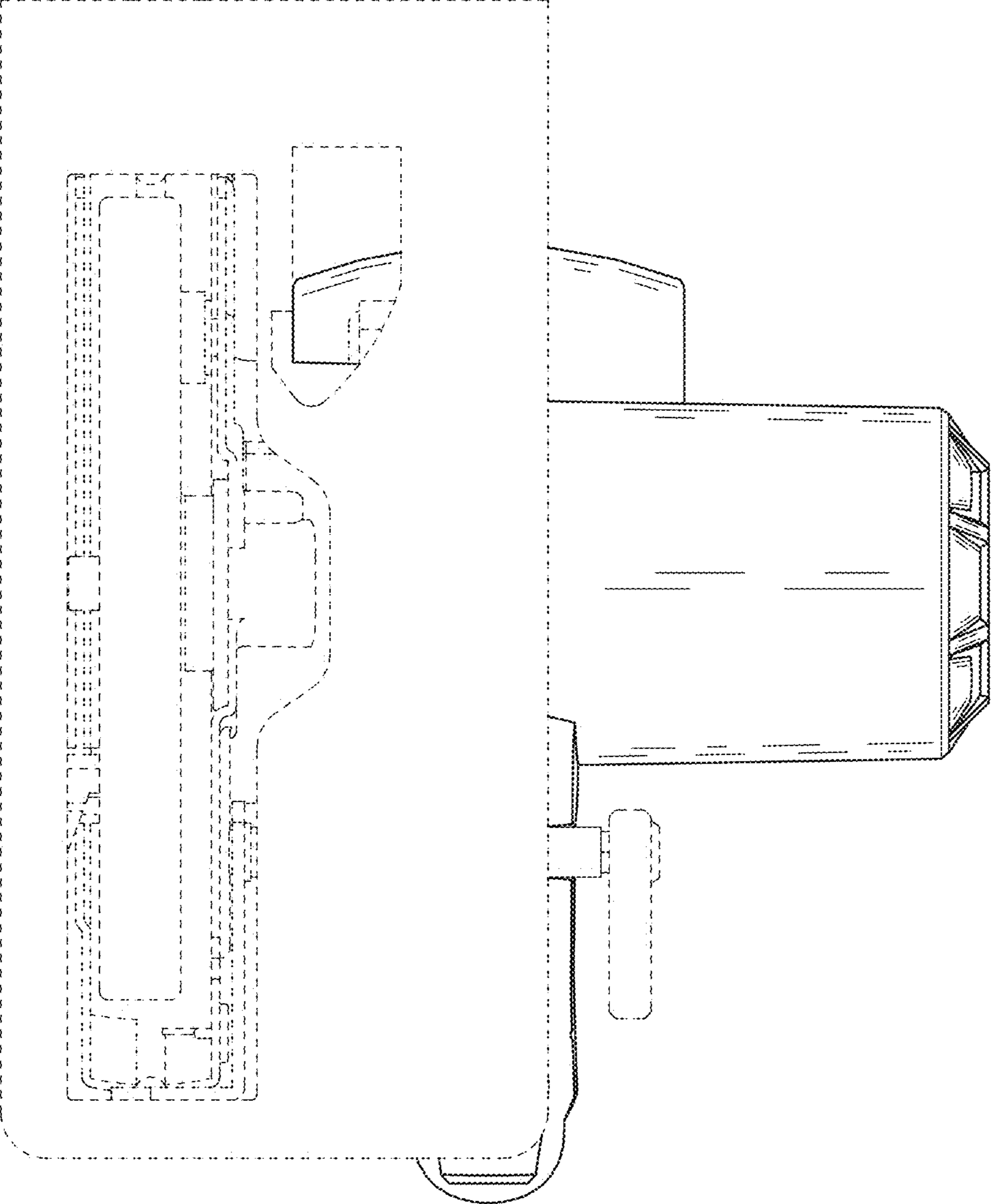


FIG.5

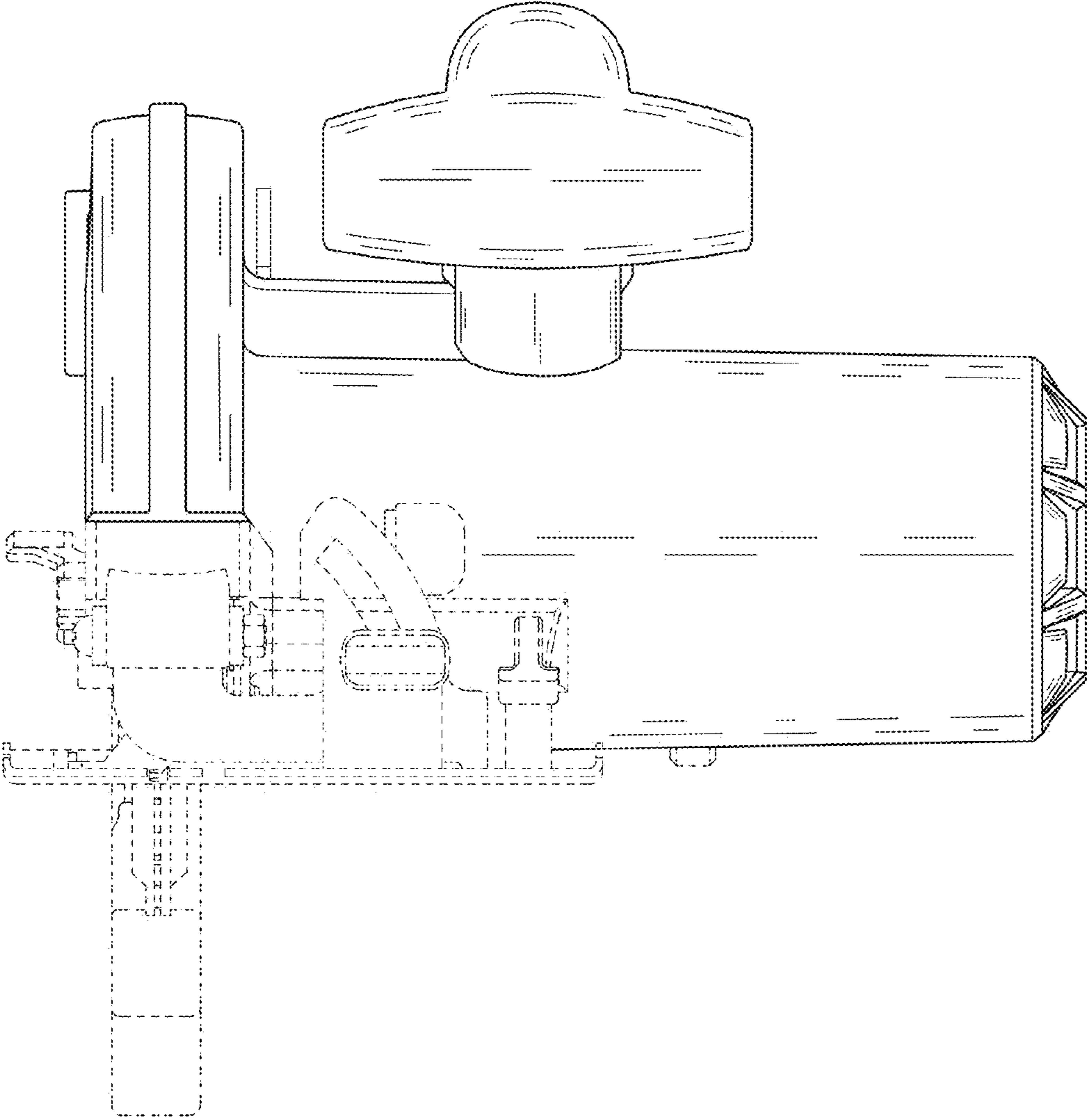


FIG.6

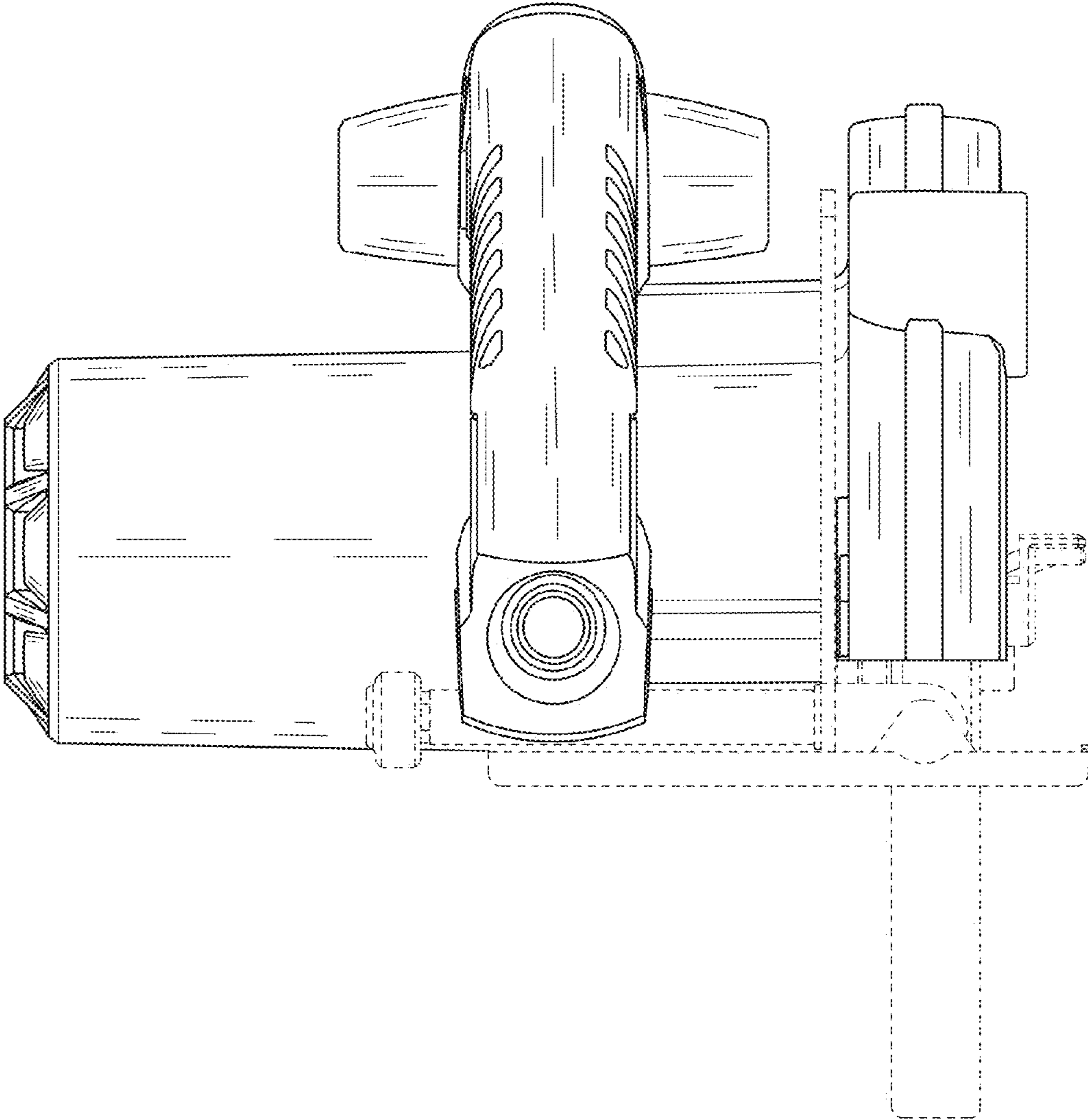


FIG.7