

US00D685242S

(12) **United States Design Patent**
Vitantonio et al.

(10) **Patent No.:** **US D685,242 S**

(45) **Date of Patent:** **** Jul. 2, 2013**

(54) **DUAL RECIPROCATING SAW**

(75) Inventors: **Marc Vitantonio**, South Russell, OH (US); **Trevor Jackson**, Kirtland, OH (US); **John Nottingham**, Bratenahl, OH (US); **Donald C. Fuchs, Jr.**, Mentor, OH (US); **Robert Soreo**, Cleveland Hts., OH (US); **John Spirk**, Gates Mills, OH (US)

(73) Assignee: **Infusion Brands, Inc.**, Clearwater, FL (US)

(**) Term: **14 Years**

(21) Appl. No.: **29/413,966**

(22) Filed: **Feb. 23, 2012**

(51) **LOC (9) Cl.** **08-03**

(52) **U.S. Cl.**
USPC **D8/64**

(58) **Field of Classification Search**
USPC D8/69, 68, 67, 66, 65, 64, 62, 61; 30/92, 30/394, 393, 392, 377, 376, 371; 74/50, 49; 173/217, 216; 83/699.21; 446/145
See application file for complete search history.

(56) **References Cited**

U.S. PATENT DOCUMENTS

D408,699	S *	4/1999	Zurwelle	D8/64
6,286,609	B1 *	9/2001	Carrier et al.	173/1
D504,603	S *	5/2005	Xiaoxian	D8/64
6,912,790	B2 *	7/2005	James et al.	30/392
D524,130	S *	7/2006	Wolf et al.	D8/64
D525,842	S *	8/2006	Andriolo	D8/64
D527,596	S *	9/2006	Andriolo	D8/64
D527,597	S *	9/2006	Andriolo	D8/64

7,168,169	B2 *	1/2007	Moreno	30/394
7,204,026	B2 *	4/2007	Phillips et al.	30/394
D591,574	S *	5/2009	DiPasquale et al.	D8/64
D596,005	S *	7/2009	Schoch	D8/64
D612,700	S *	3/2010	McRoberts et al.	D8/64
8,166,660	B2 *	5/2012	Zhou	30/393
8,307,910	B2 *	11/2012	Holmes et al.	173/19

* cited by examiner

Primary Examiner — Austin Murphy

(74) *Attorney, Agent, or Firm* — Fay Sharpe LLP

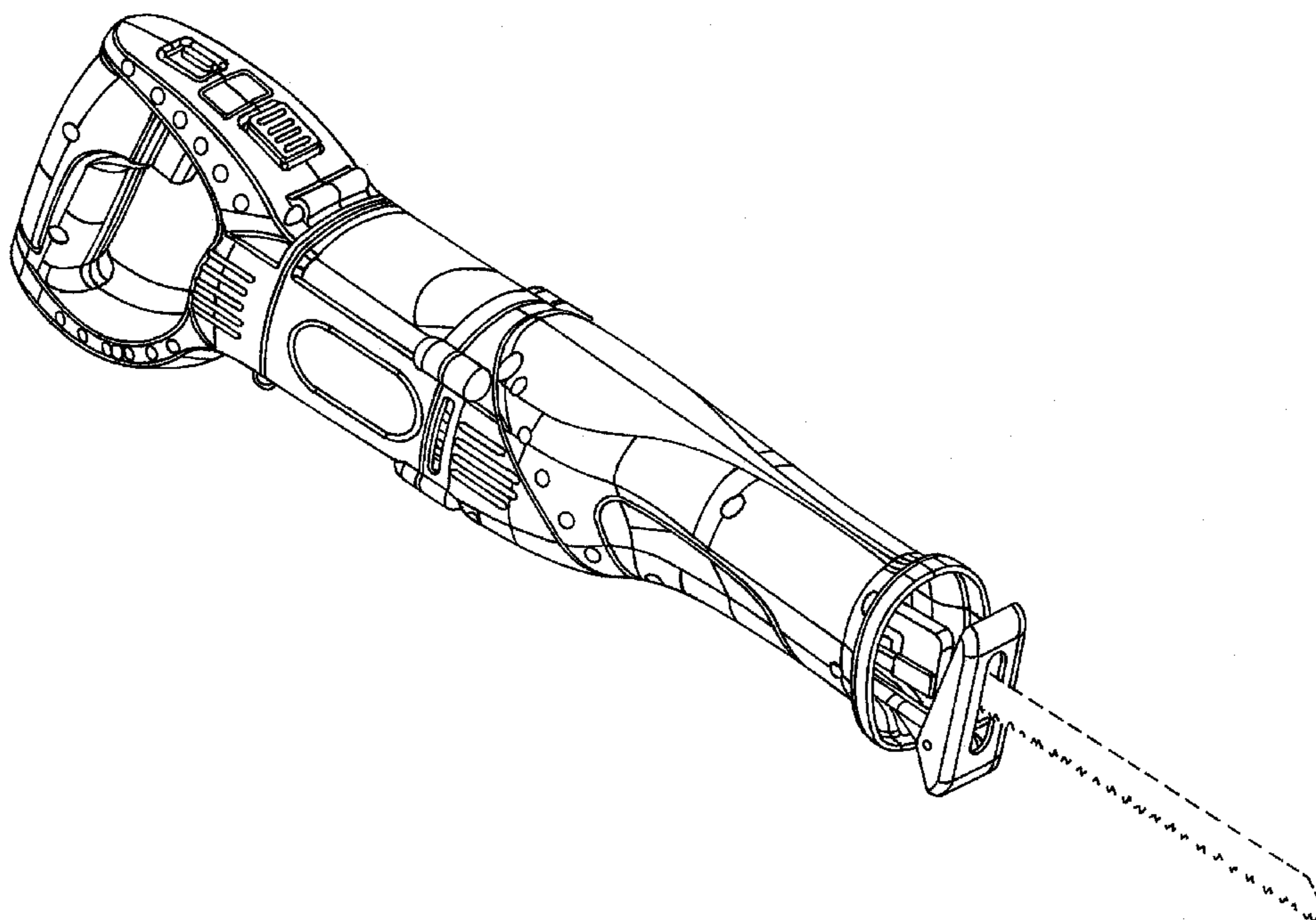
(57) **CLAIM**

The ornamental design for a dual reciprocating saw, as shown and described.

DESCRIPTION

FIG. 1 is a front elevation view of a dual reciprocating saw showing my new design;
FIG. 2 is an opposite side front elevation view of a dual reciprocating saw of FIG. 1;
FIG. 3 is a front end view of the dual reciprocating saw of FIG. 1;
FIG. 4 is a side plan view of the dual reciprocating saw of FIG. 1;
FIG. 5 is an opposite side plan view of the dual reciprocating saw of FIG. 1;
FIG. 6 is a top view of the dual reciprocating saw of FIG. 1;
FIG. 7 is a bottom view of the dual reciprocating saw of FIG. 1; and,
FIG. 8 is a back end view of the dual reciprocating saw of FIG. 1.
The broken lines are included for the purpose of illustrating non-claimed subject matter and form no part of the claimed design.

1 Claim, 8 Drawing Sheets



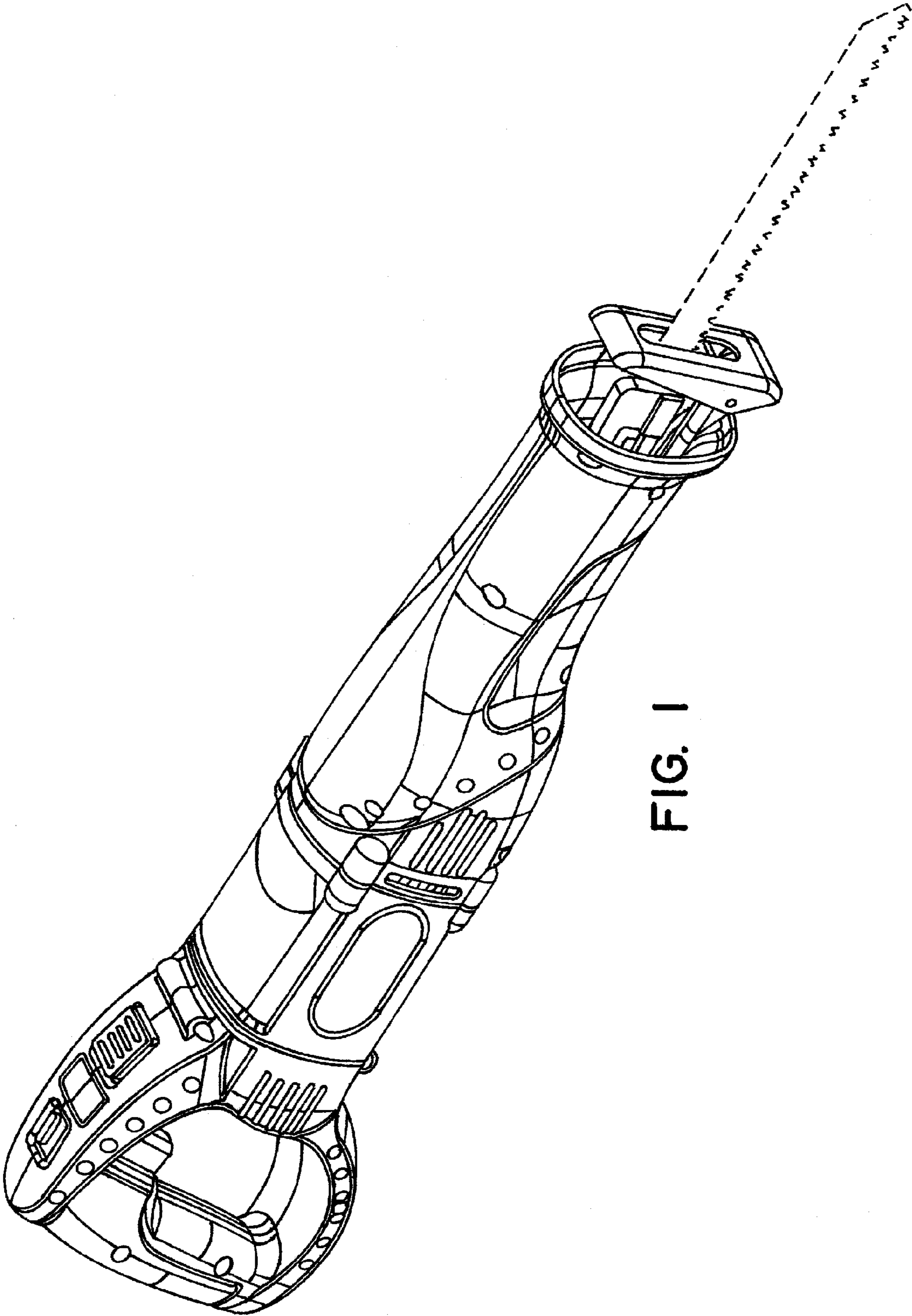
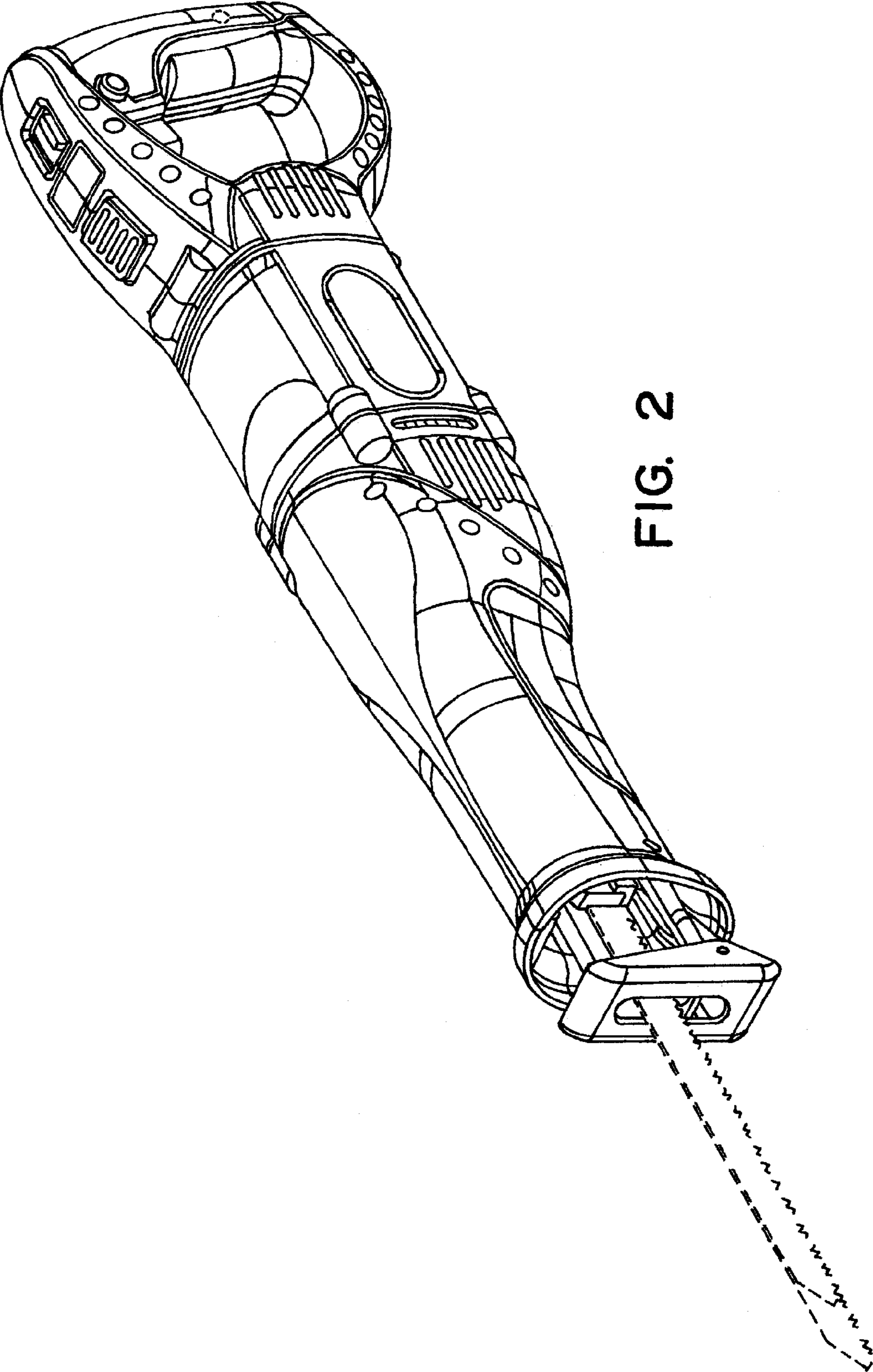


FIG. 1



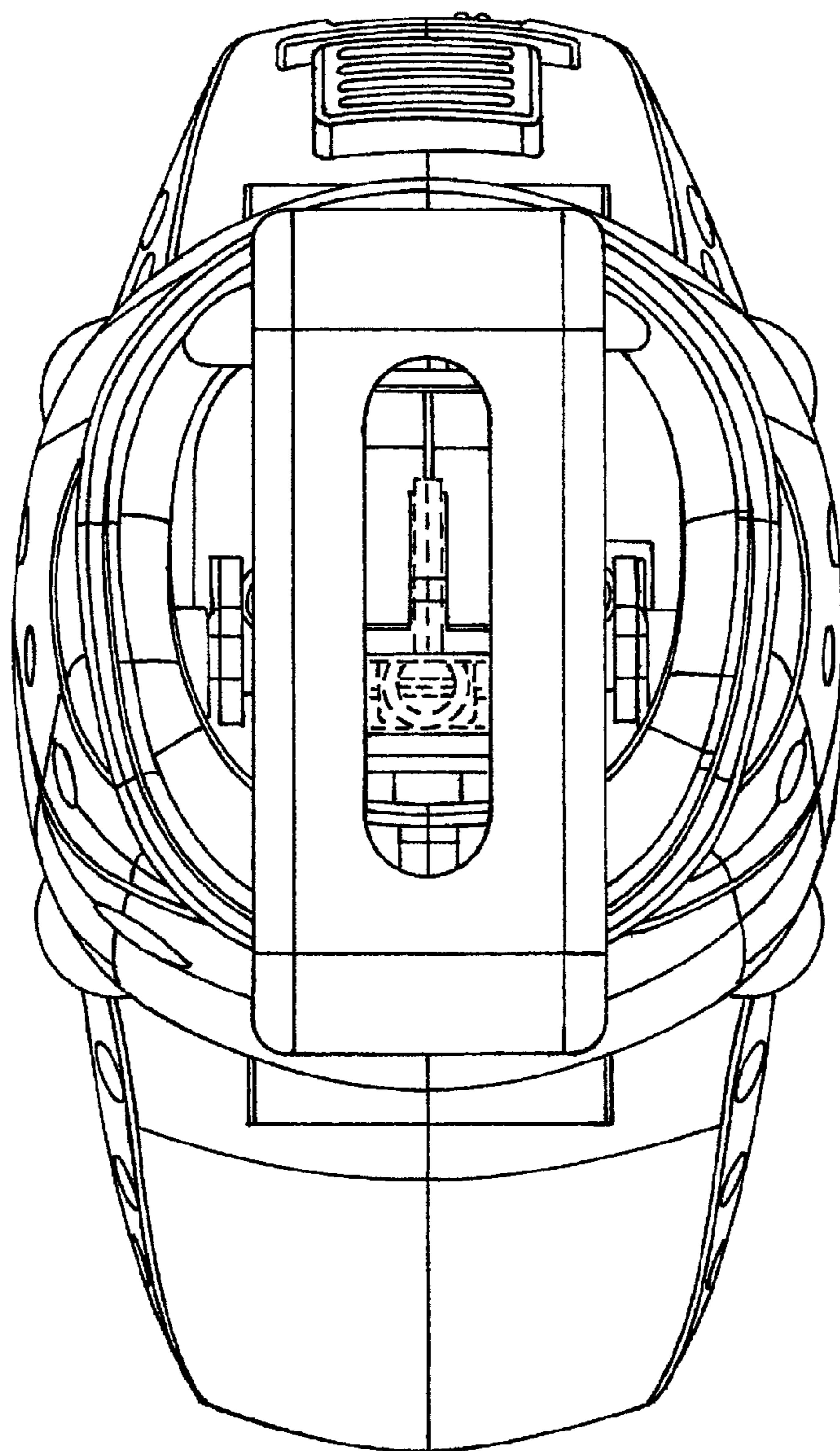


FIG. 3

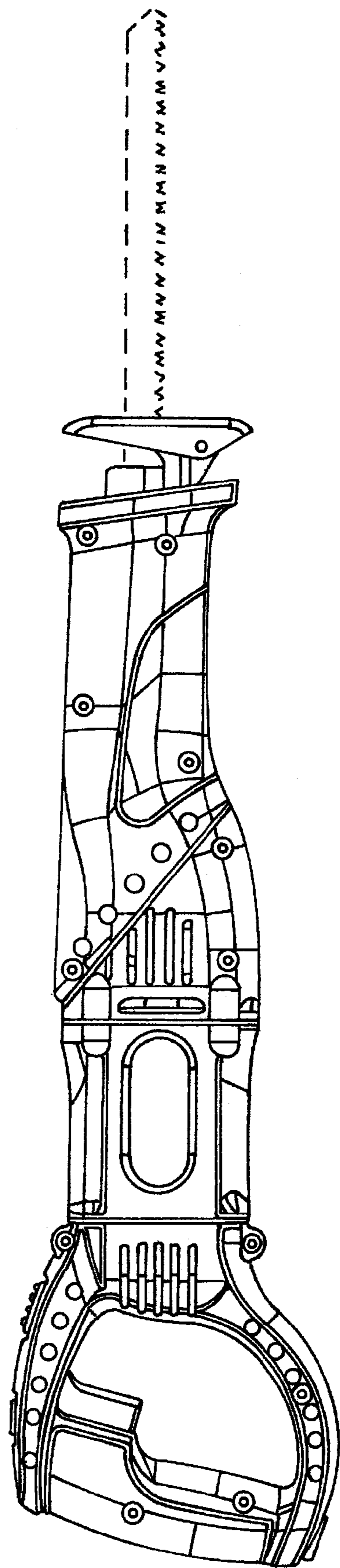


FIG. 4

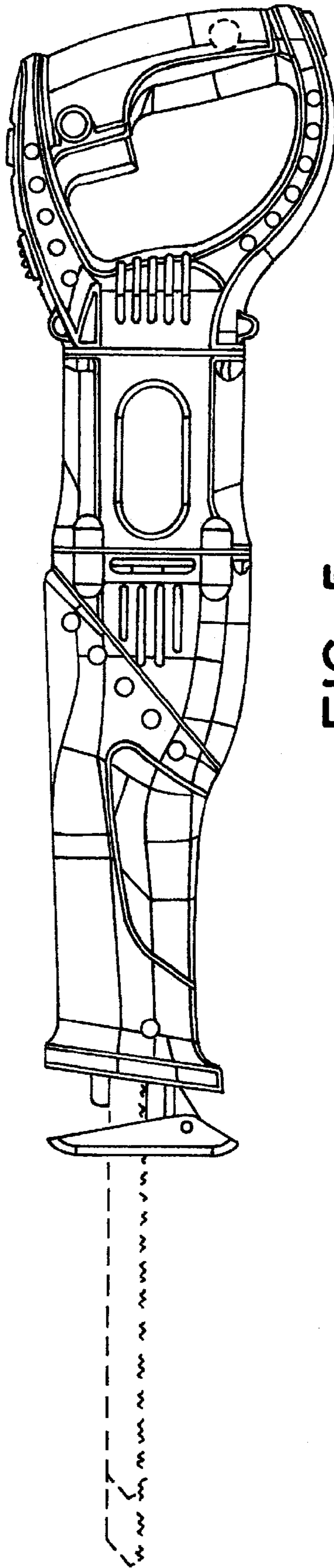


FIG. 5

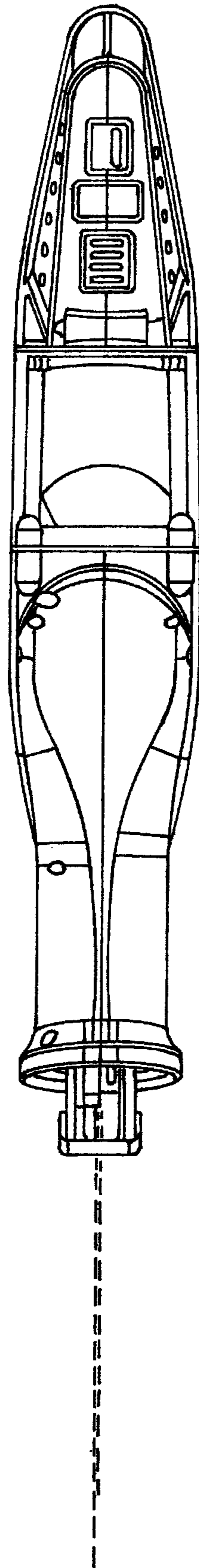


FIG. 6

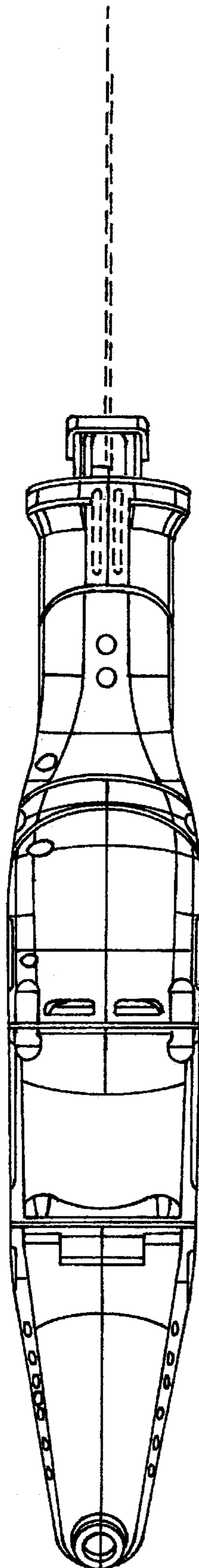


FIG. 7

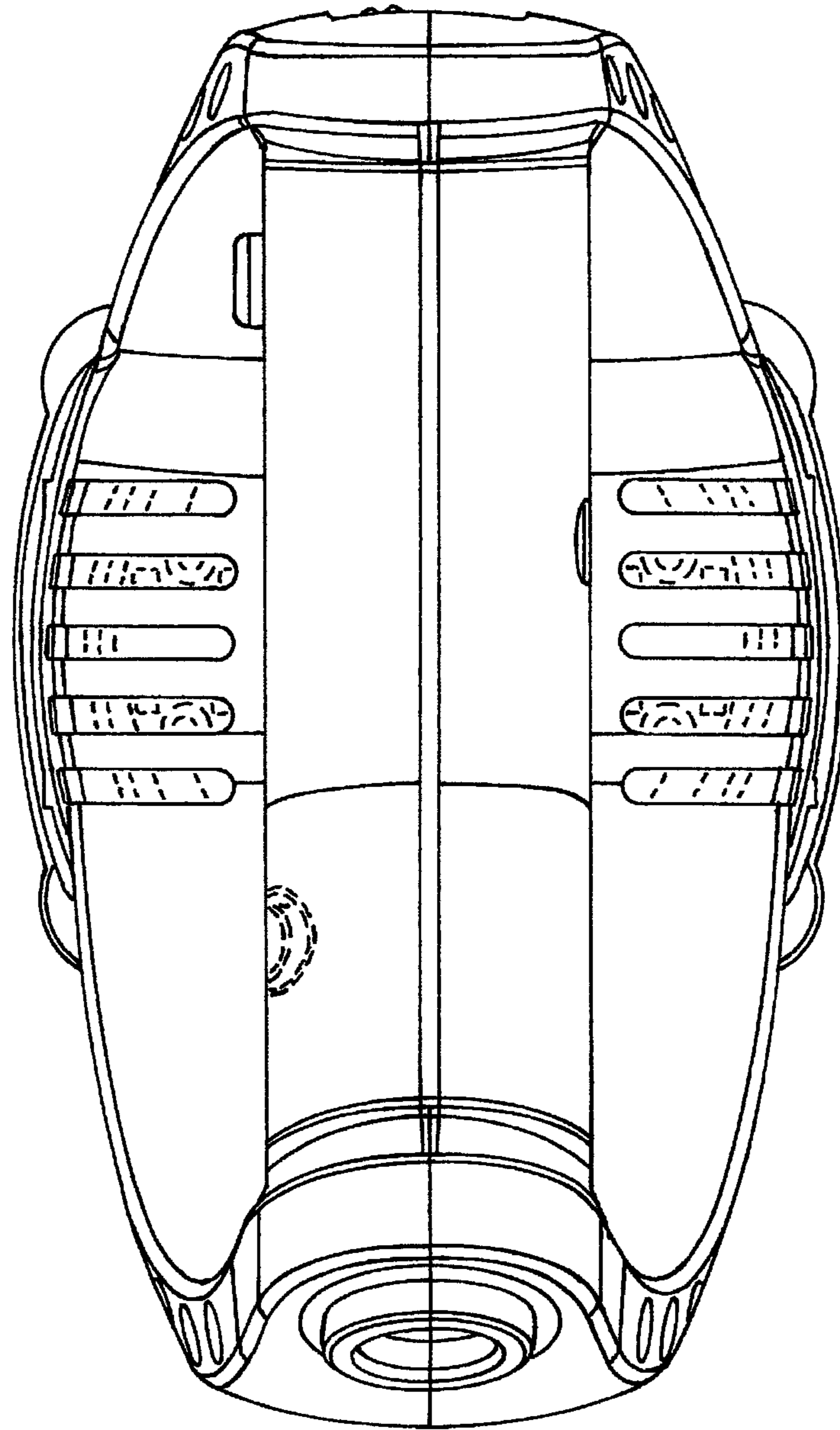


FIG. 8