



US00D685241S

(12) **United States Design Patent**
Waldron

(10) **Patent No.:** **US D685,241 S**
(45) **Date of Patent:** **** Jul. 2, 2013**

(54) **ANGLE GRINDER**

(75) Inventor: **Michael Waldron**, Pocklington (GB)

(73) Assignee: **Hutchin Exports Ltd.**, Tortola (VG)

(**) Term: **14 Years**

(21) Appl. No.: **29/429,723**

(22) Filed: **Aug. 15, 2012**

(51) **LOC (9) Cl.** **08-01**

(52) **U.S. Cl.**
USPC **D8/62**

(58) **Field of Classification Search**
USPC D32/15, 17, 19; D8/67, 62, 61; D4/102;
451/456, 451, 359, 358, 357, 356, 355, 354,
451/353, 351, 344; 310/50; 173/170
See application file for complete search history.

(56) **References Cited**

U.S. PATENT DOCUMENTS

D408,244 S *	4/1999	Price	D8/62
D453,098 S *	1/2002	Pretzell	D8/62
D479,969 S *	9/2003	Robson et al.	D8/62
D511,285 S *	11/2005	Henssler et al.	D8/62
D522,826 S *	6/2006	Aglassinger	D8/62

D528,389 S *	9/2006	Wu	D8/62
D544,326 S *	6/2007	Sterpka et al.	D8/62
D593,826 S *	6/2009	Aglassinger	D8/62

* cited by examiner

Primary Examiner — Austin Murphy

(74) *Attorney, Agent, or Firm* — Buchanan Nipper

(57) **CLAIM**

I claim the ornamental design for an angle grinder, substantially as shown and described.

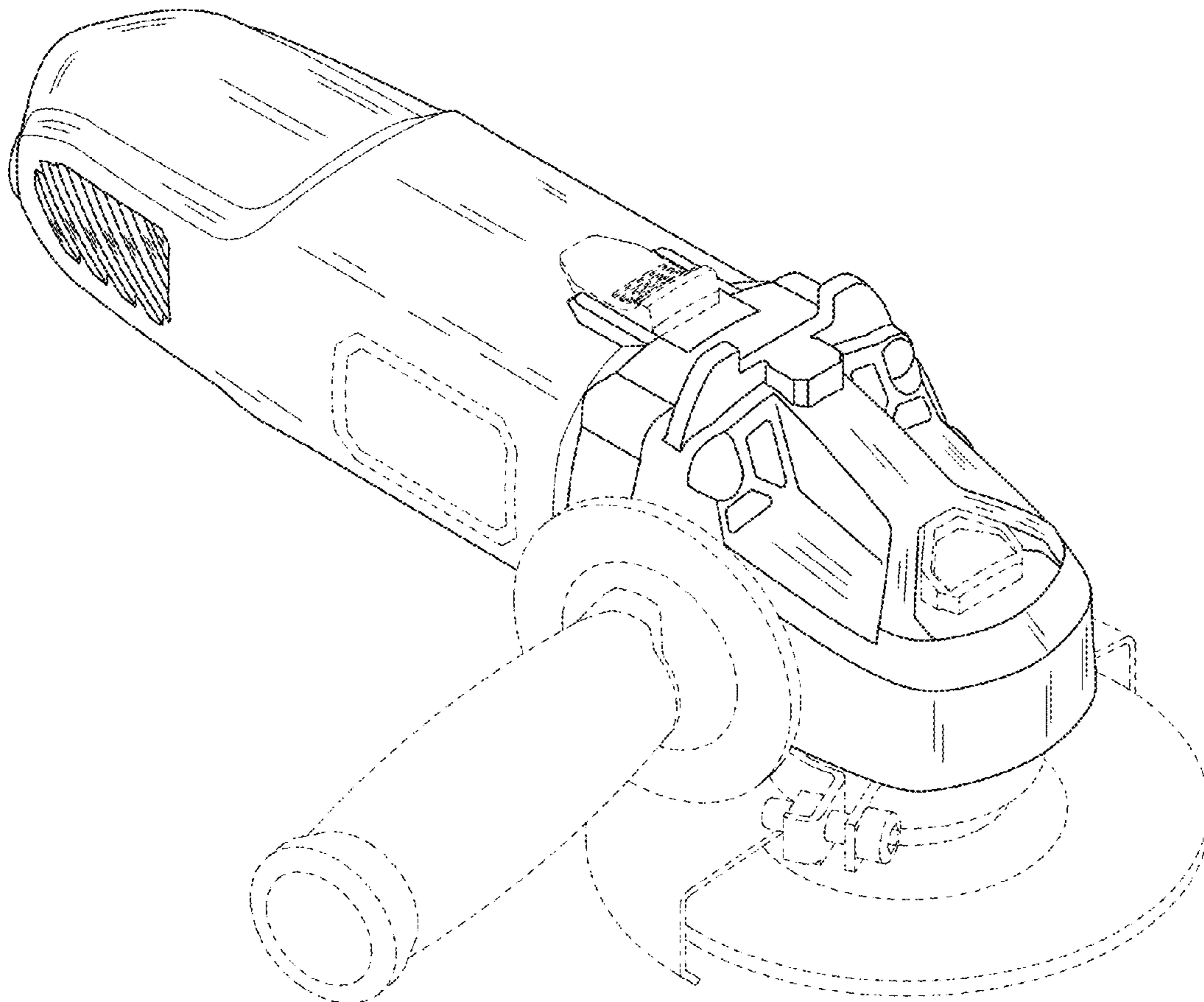
DESCRIPTION

FIG. 1 is a front perspective view of an angle grinder showing my design;
FIG. 2 is a left side view thereof;
FIG. 3 is a right side view thereof;
FIG. 4 is a top plan view thereof;
FIG. 5 is a bottom plan view thereof;
FIG. 6 is a back side view thereof; and,
FIG. 7 is a front side view thereof.

Features shown in dashed lines are for illustrative purposes only, and form no part of the claimed design.

The shade lines in the Figures show contour and not surface ornamentation, and form no part of the claimed design.

1 Claim, 7 Drawing Sheets



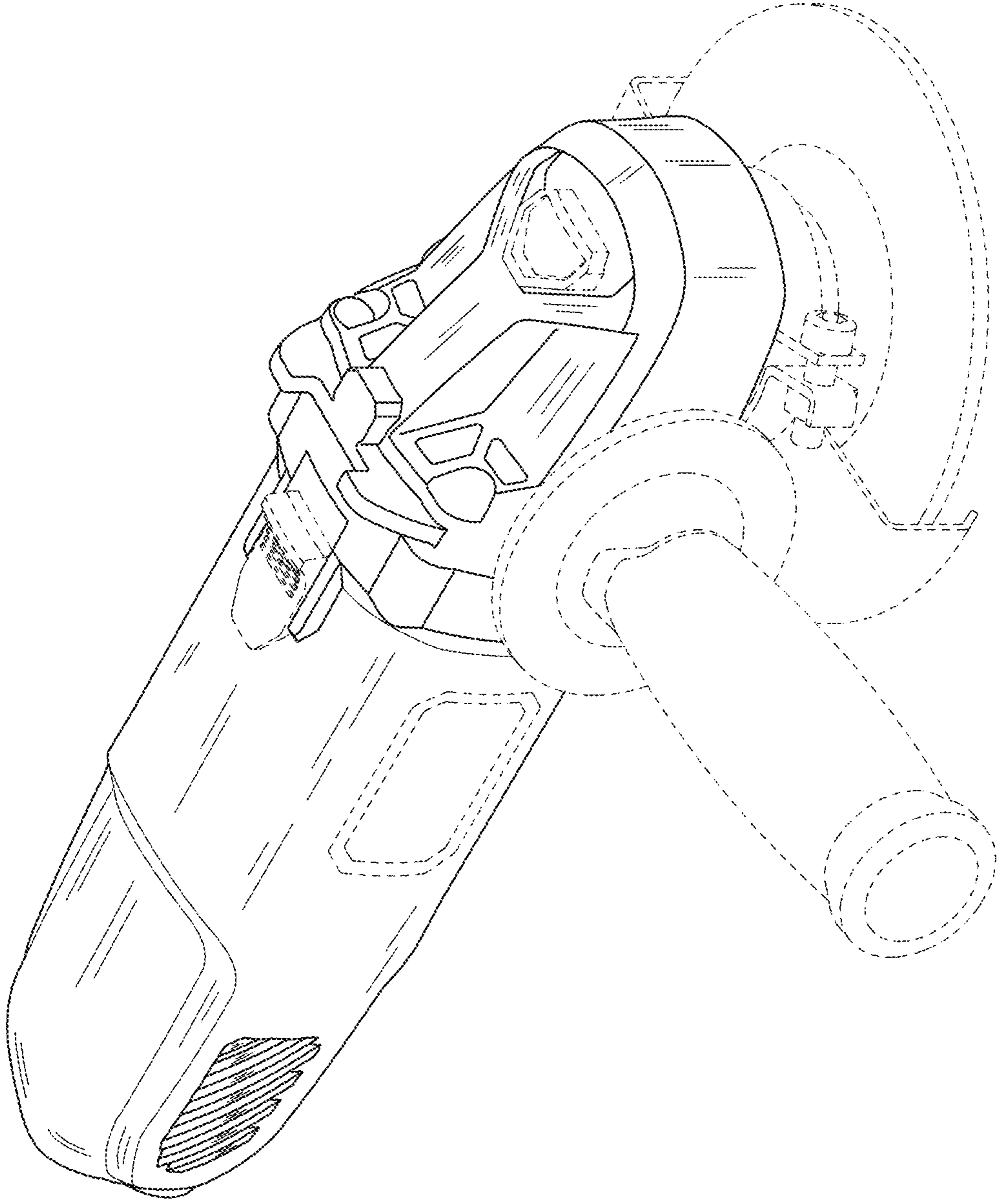


FIG.1

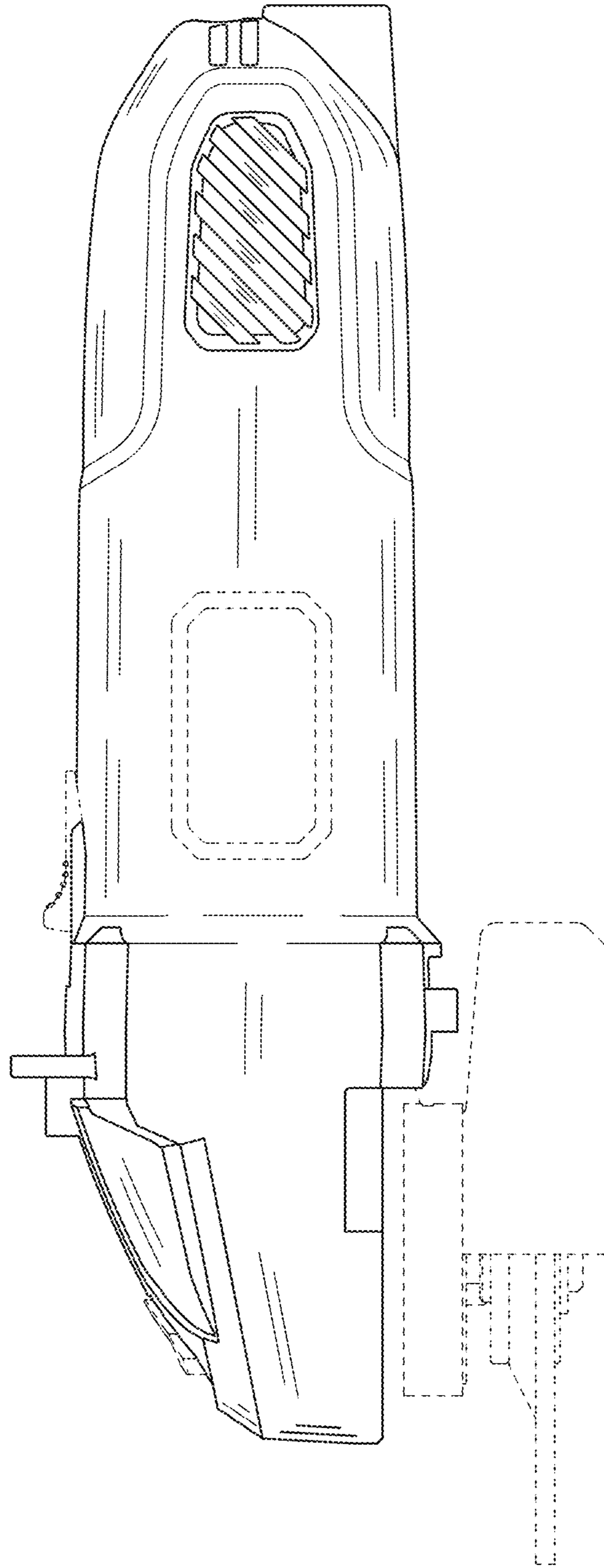


FIG. 2

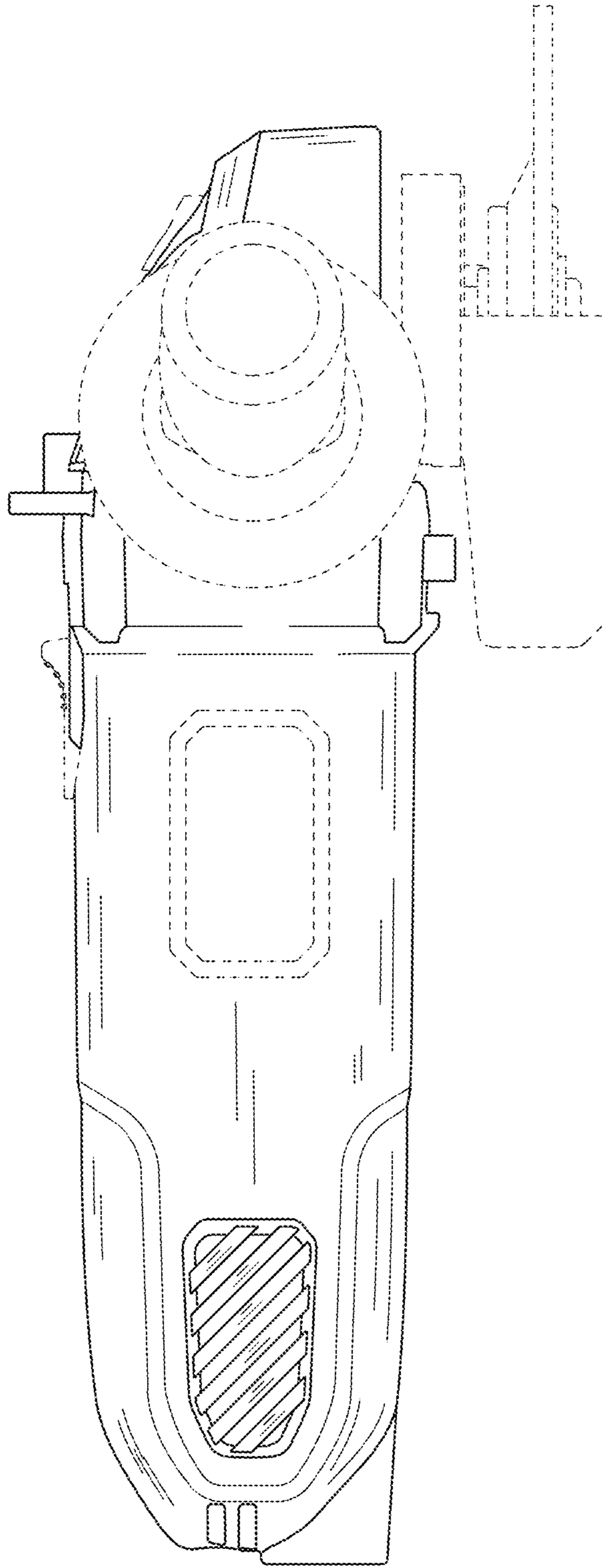


FIG.3

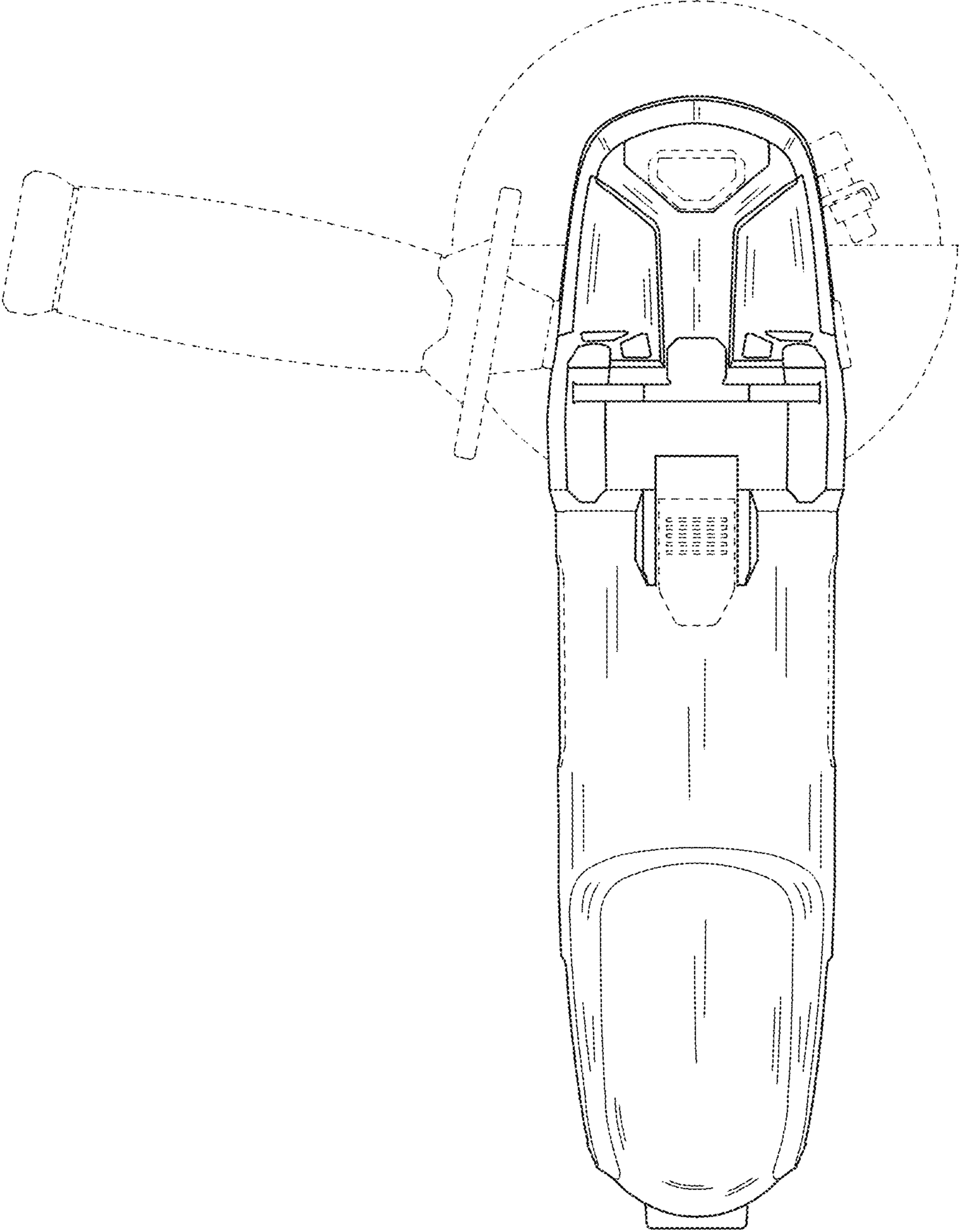


FIG.4

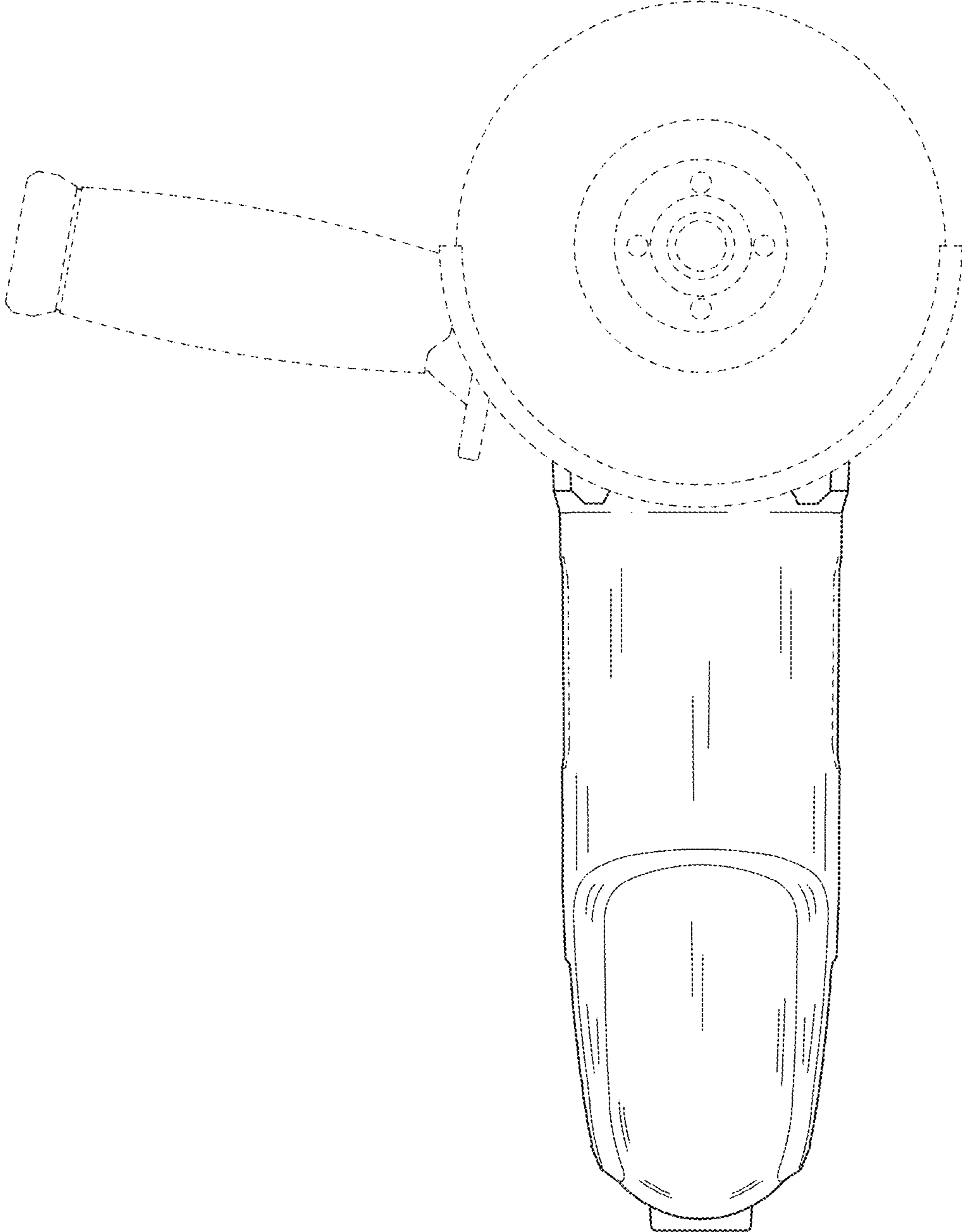


FIG.5

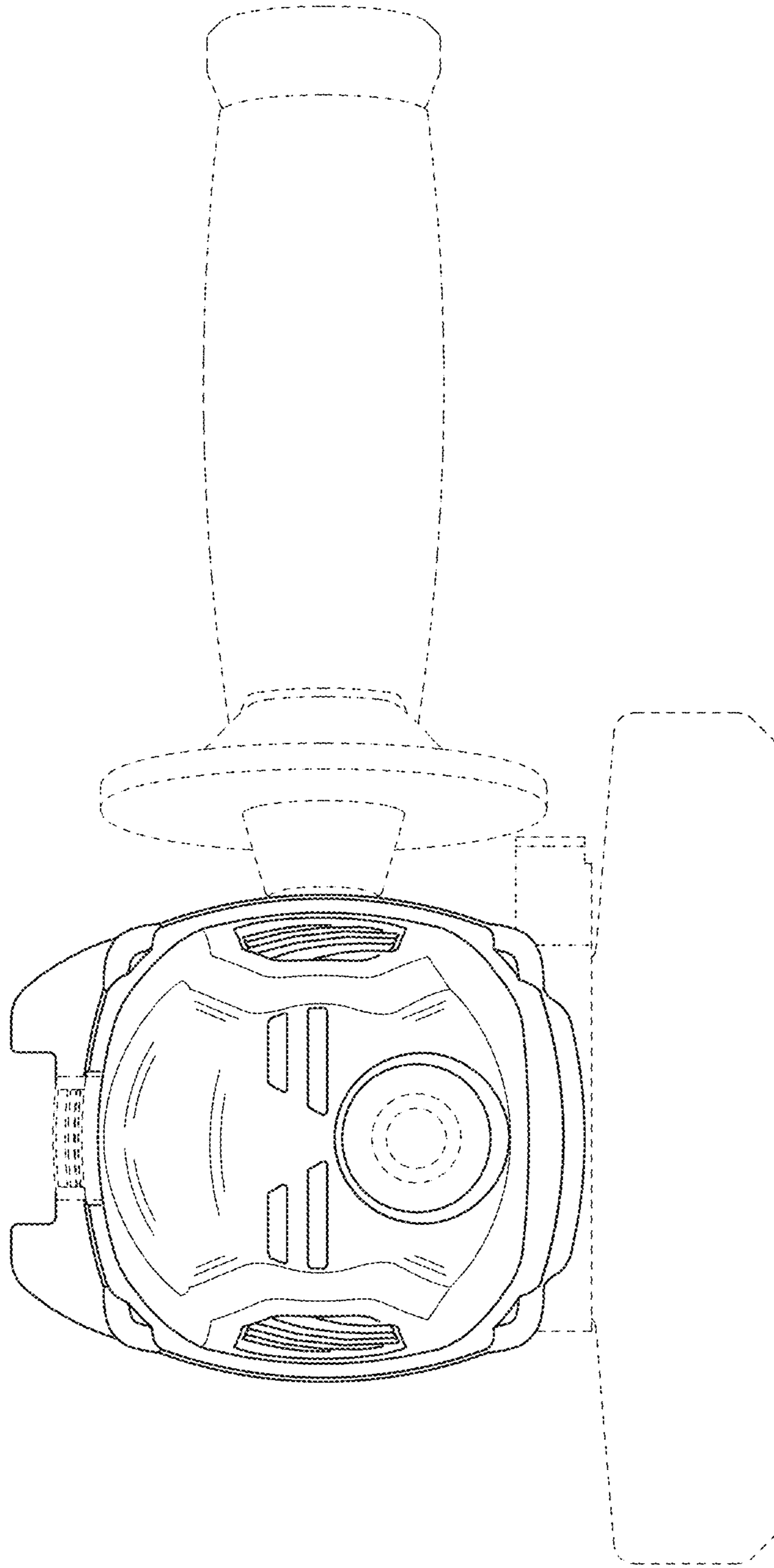


FIG.6

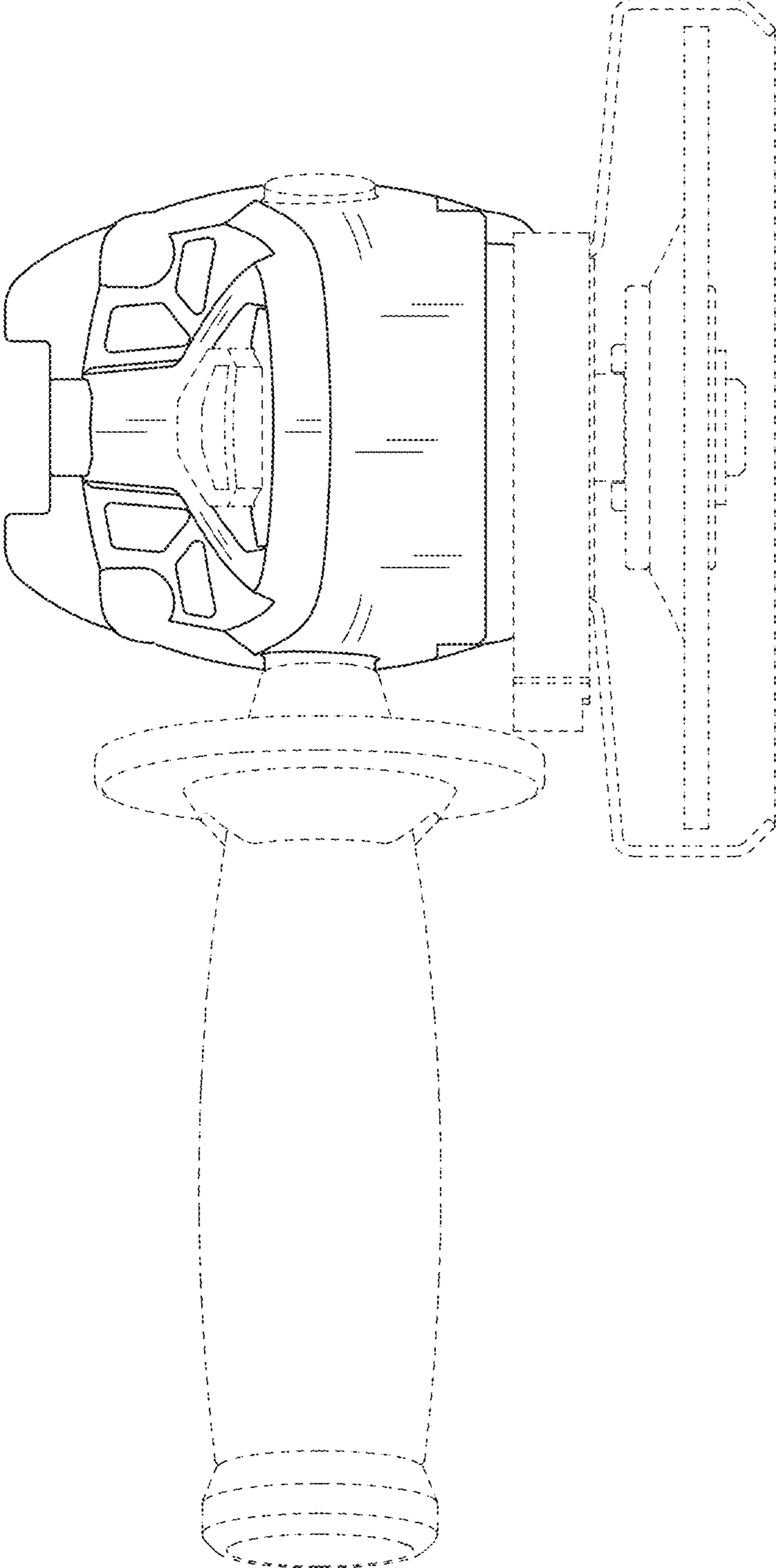


FIG.7