



US00D685240S

(12) **United States Design Patent**  
**Waldron**

(10) **Patent No.:** **US D685,240 S**  
(45) **Date of Patent:** **\*\* Jul. 2, 2013**

(54) **ANGLE GRINDER**

(75) Inventor: **Michael Waldron**, Pocklington (GB)

(73) Assignee: **Hutchin Exports Ltd.**, Tortola (VG)

(\*\*) Term: **14 Years**

(21) Appl. No.: **29/429,716**

(22) Filed: **Aug. 15, 2012**

(51) **LOC (9) Cl.** ..... **08-01**

(52) **U.S. Cl.**  
USPC ..... **D8/62**

(58) **Field of Classification Search**

USPC ..... D32/15, 17, 19; D8/67, 62, 61; D4/102;  
451/456, 451, 359, 358, 357, 356, 355, 354,  
451/353, 351, 344; 310/50; 173/170  
See application file for complete search history.

(56) **References Cited**

**U.S. PATENT DOCUMENTS**

D475,263 S *	6/2003	Andriolo	.....	D8/62
D494,827 S *	8/2004	Liu	.....	D8/62
D498,653 S *	11/2004	Wu	.....	D8/62
D522,827 S *	6/2006	Corcoran	.....	D8/62
D523,308 S *	6/2006	Corcoran	.....	D8/62
D524,129 S *	7/2006	Waldron	.....	D8/62
D558,016 S *	12/2007	Aglassinger	.....	D8/62

D564,321 S *	3/2008	Huguet et al.	.....	D8/62
D581,759 S *	12/2008	Aglassinger	.....	D8/62
D609,542 S *	2/2010	Misaki et al.	.....	D8/62
D632,152 S *	2/2011	Okuda	.....	D8/62
D660,118 S *	5/2012	Bast	.....	D8/62

\* cited by examiner

*Primary Examiner* — Austin Murphy

(74) *Attorney, Agent, or Firm* — Buchanan Nipper

(57) **CLAIM**

I claim the ornamental design for an angle grinder, substantially as shown and described:

**DESCRIPTION**

FIG. 1 is a front perspective view of an angle grinder showing my design;

FIG. 2 is a left side view thereof;

FIG. 3 is a top plan view thereof;

FIG. 4 is a right side view thereof;

FIG. 5 is a bottom plan view thereof;

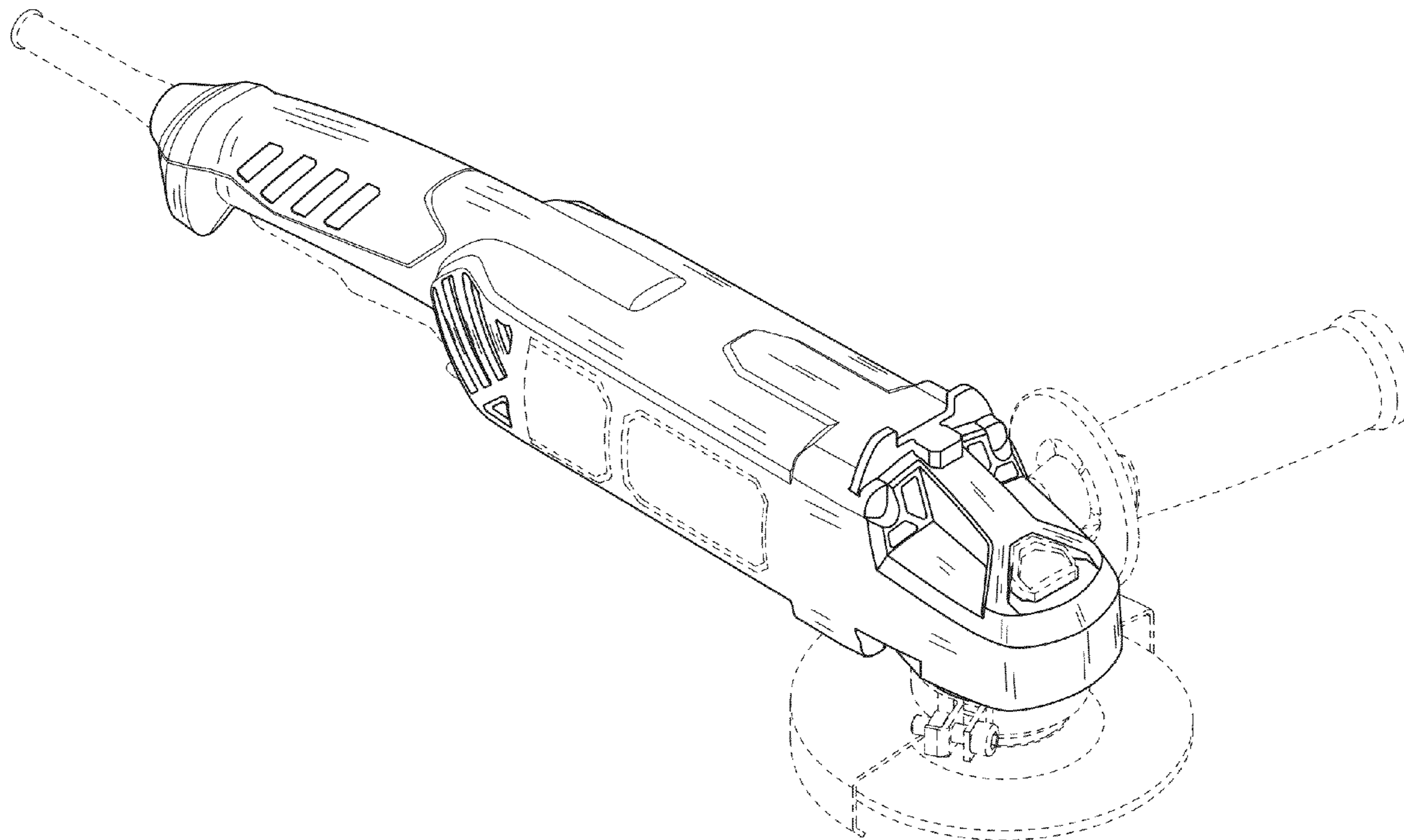
FIG. 6 is a front side view thereof; and,

FIG. 7 is a back side view thereof.

Features shown in dashed lines are for illustrative purposes only, and form no part of the claimed design.

The shade lines in the Figures show contour and not surface ornamentation, and form no part of the claimed design.

**1 Claim, 7 Drawing Sheets**



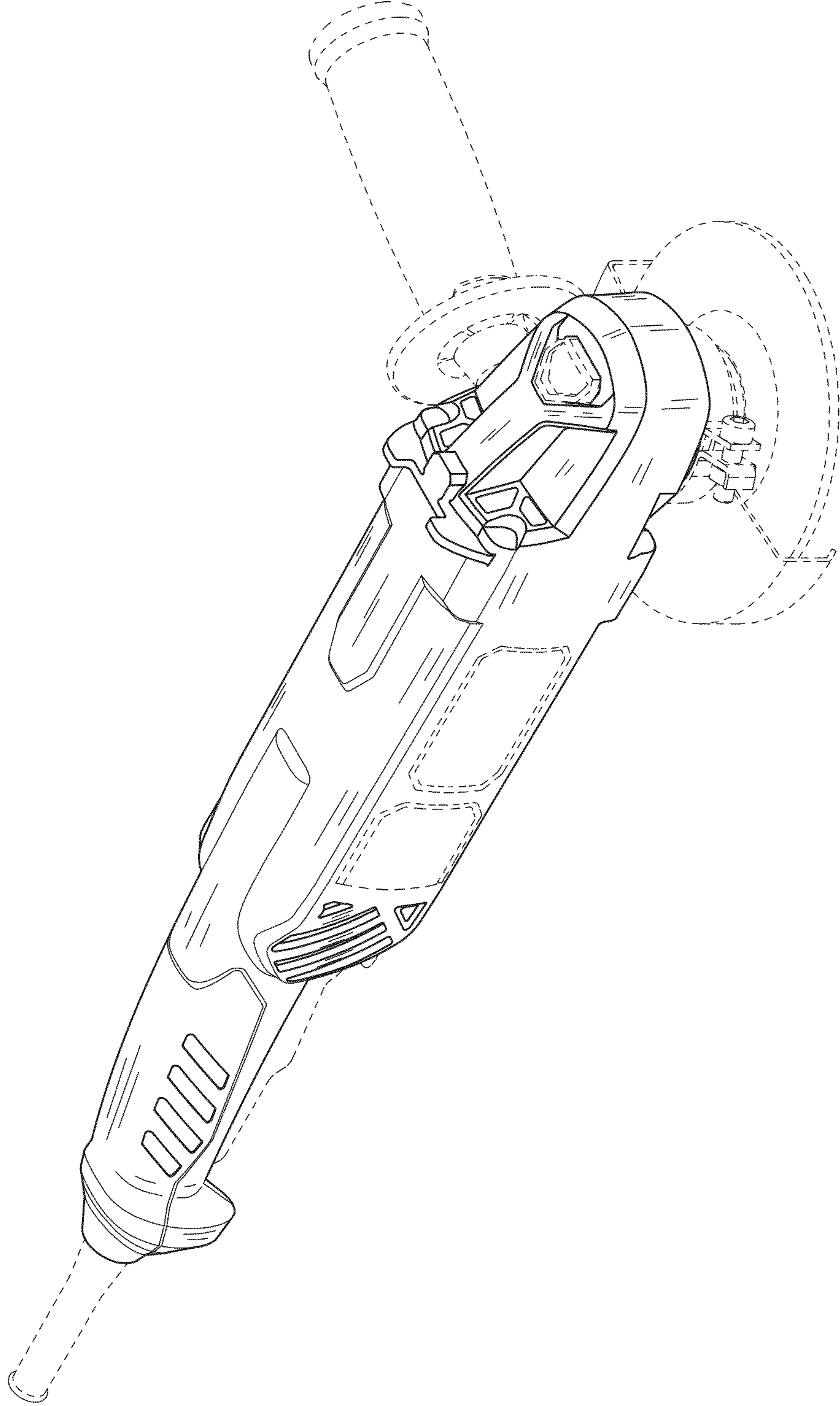


FIG.1

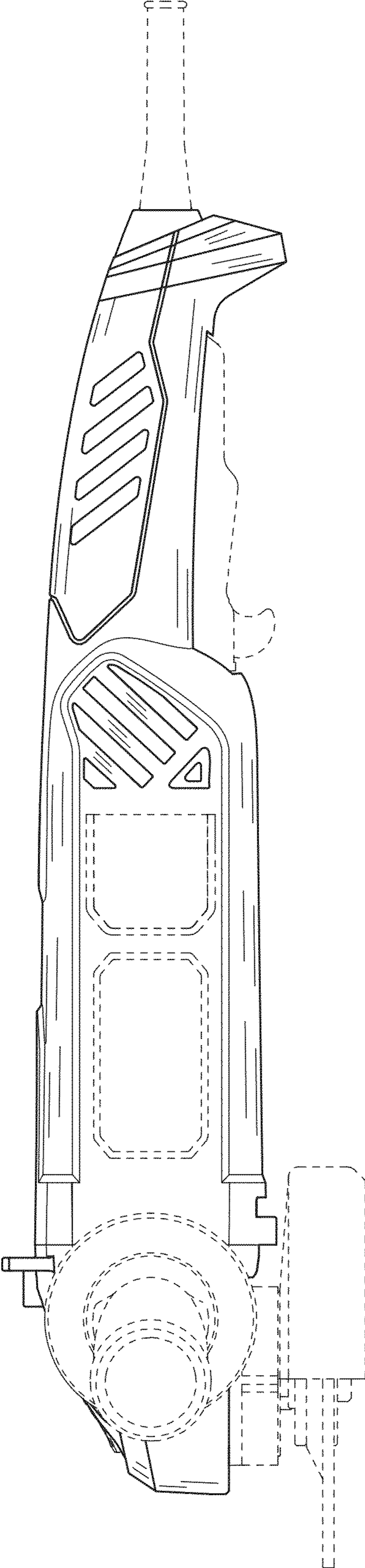


FIG.2

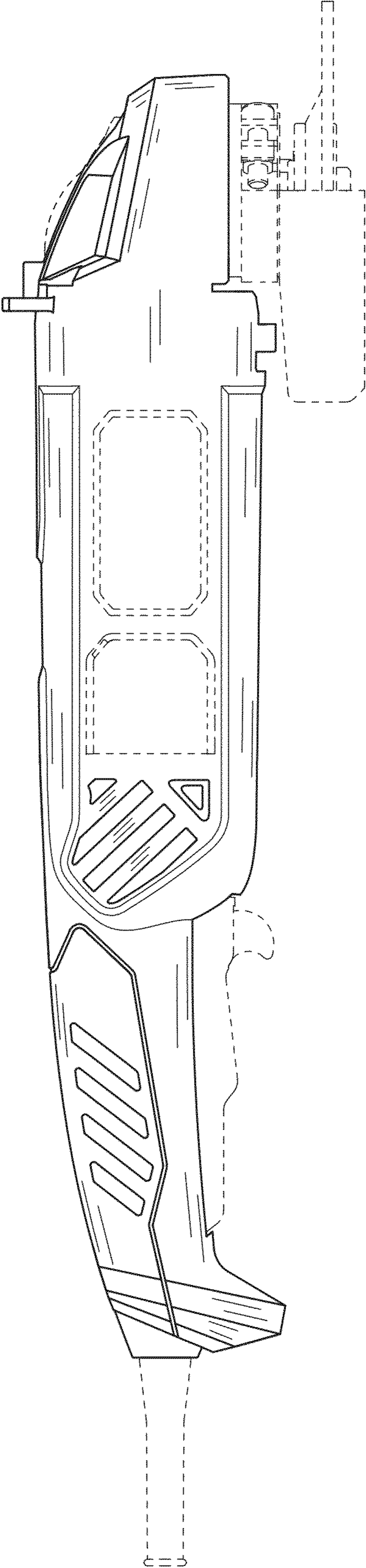


FIG.3

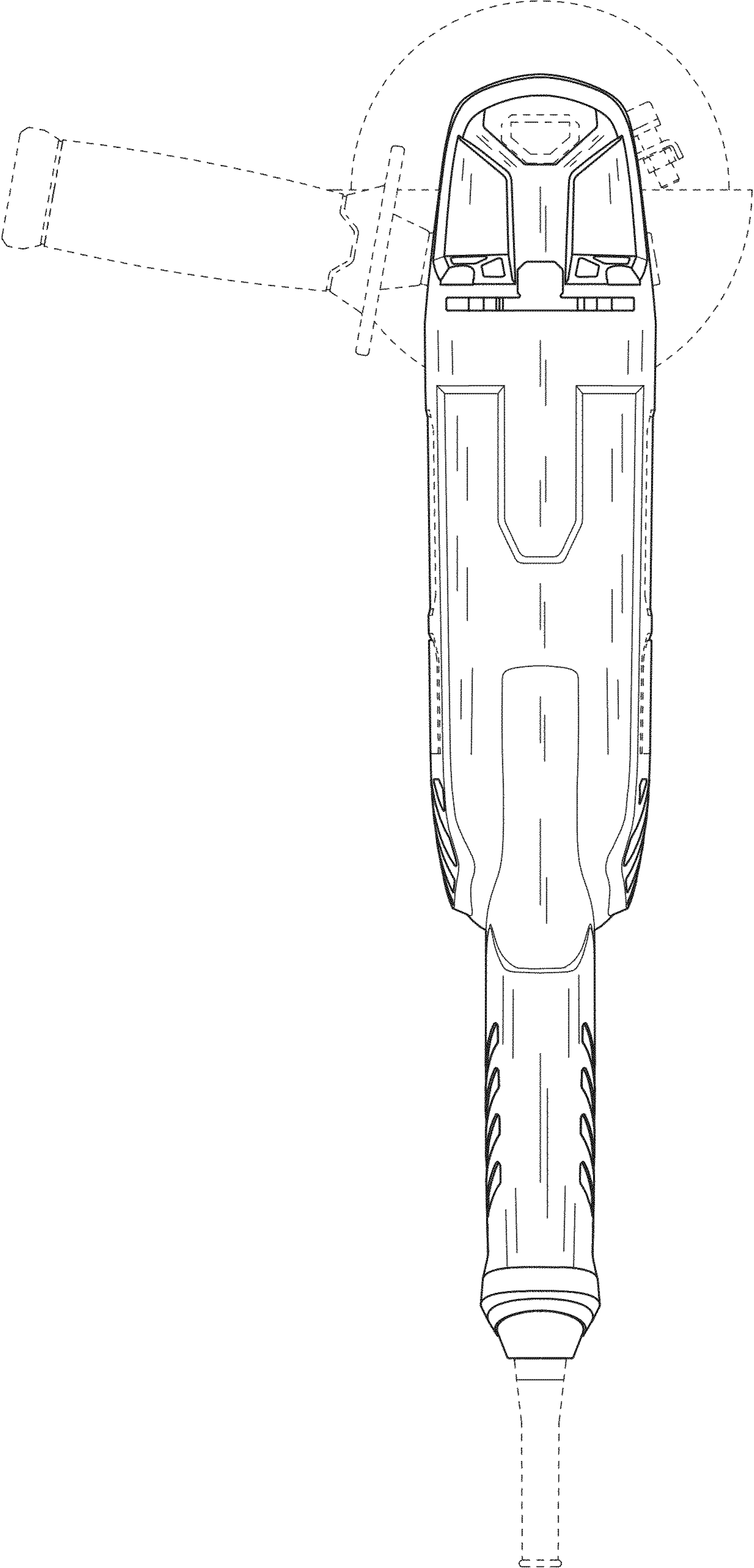


FIG.4

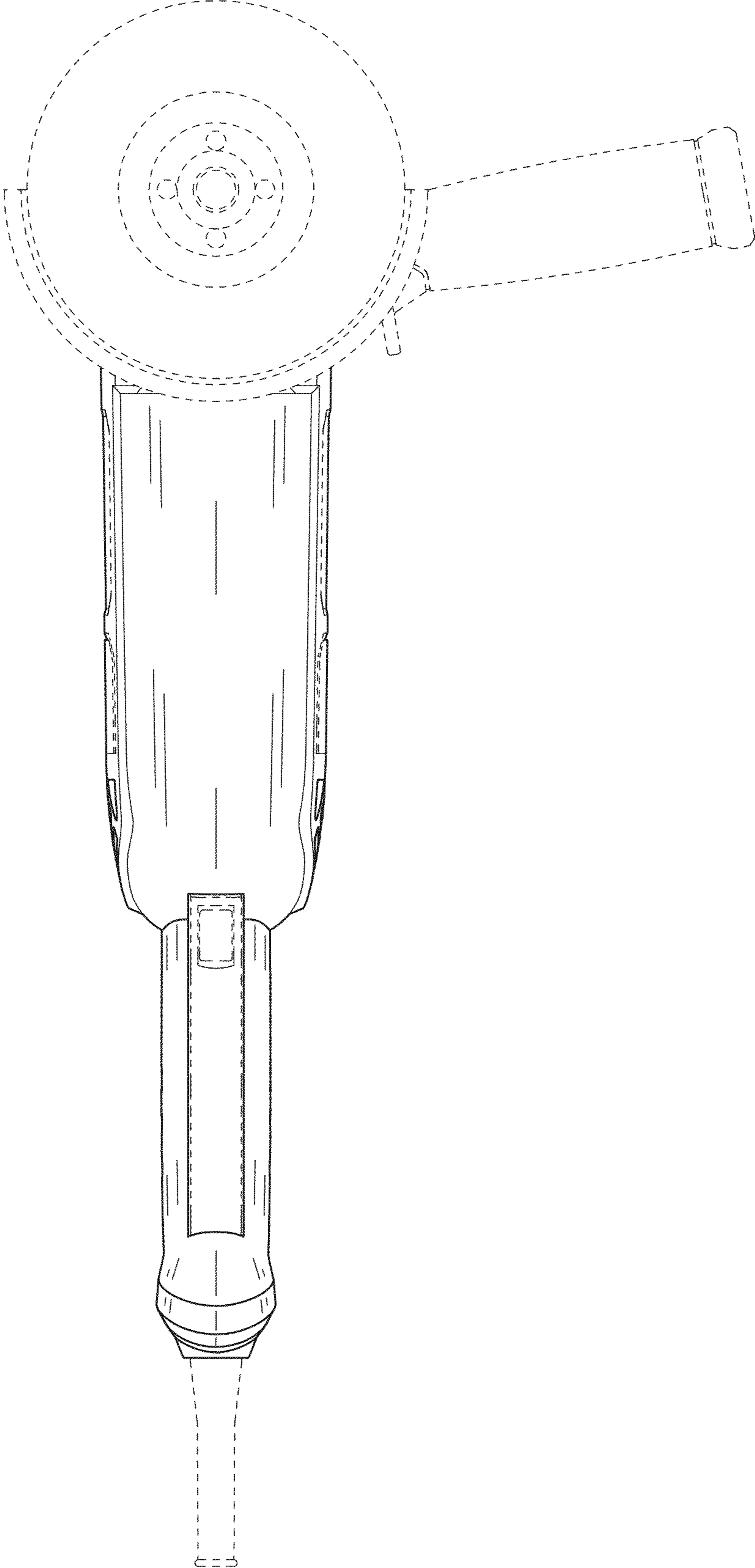


FIG.5

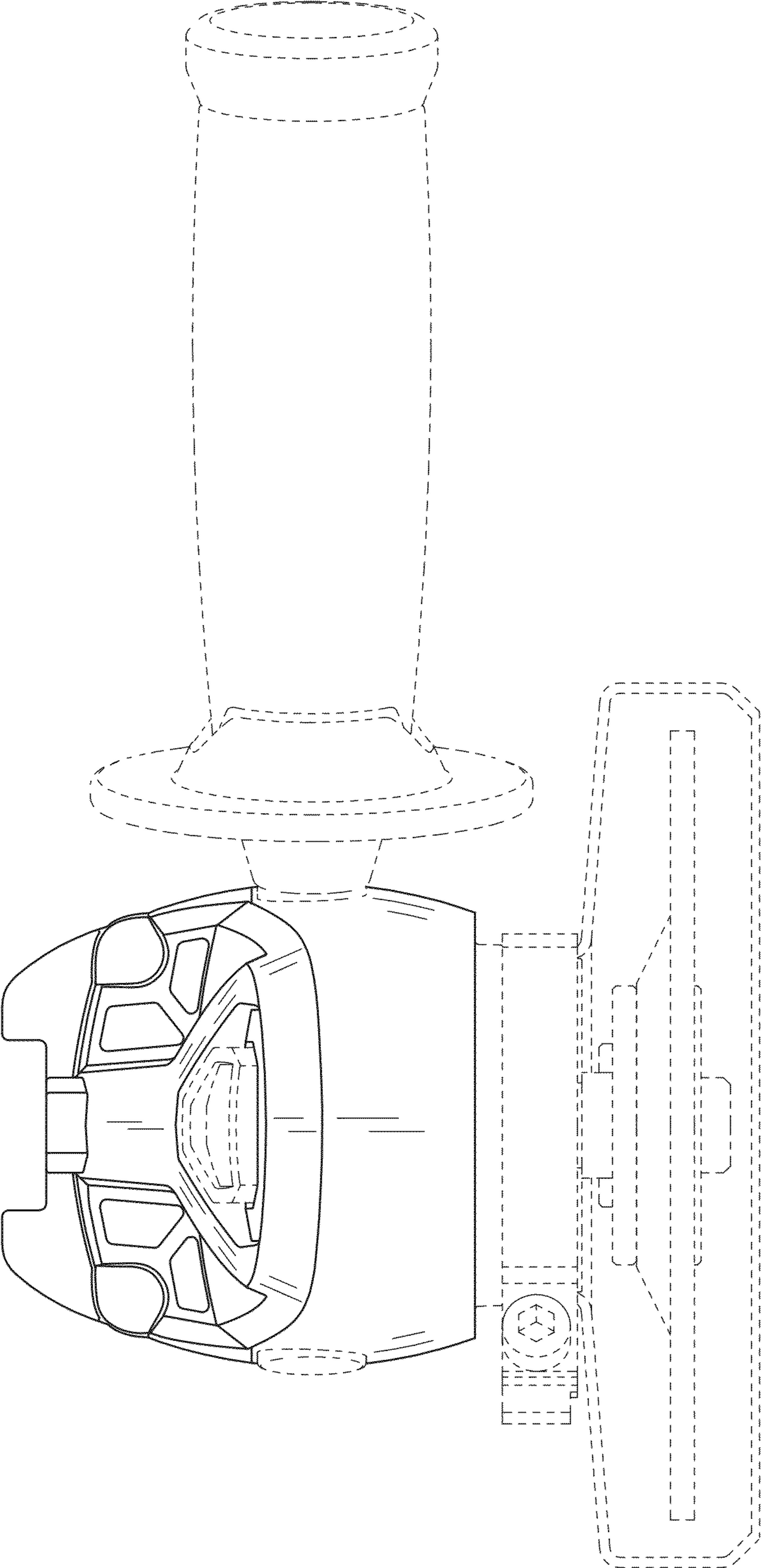


FIG.6

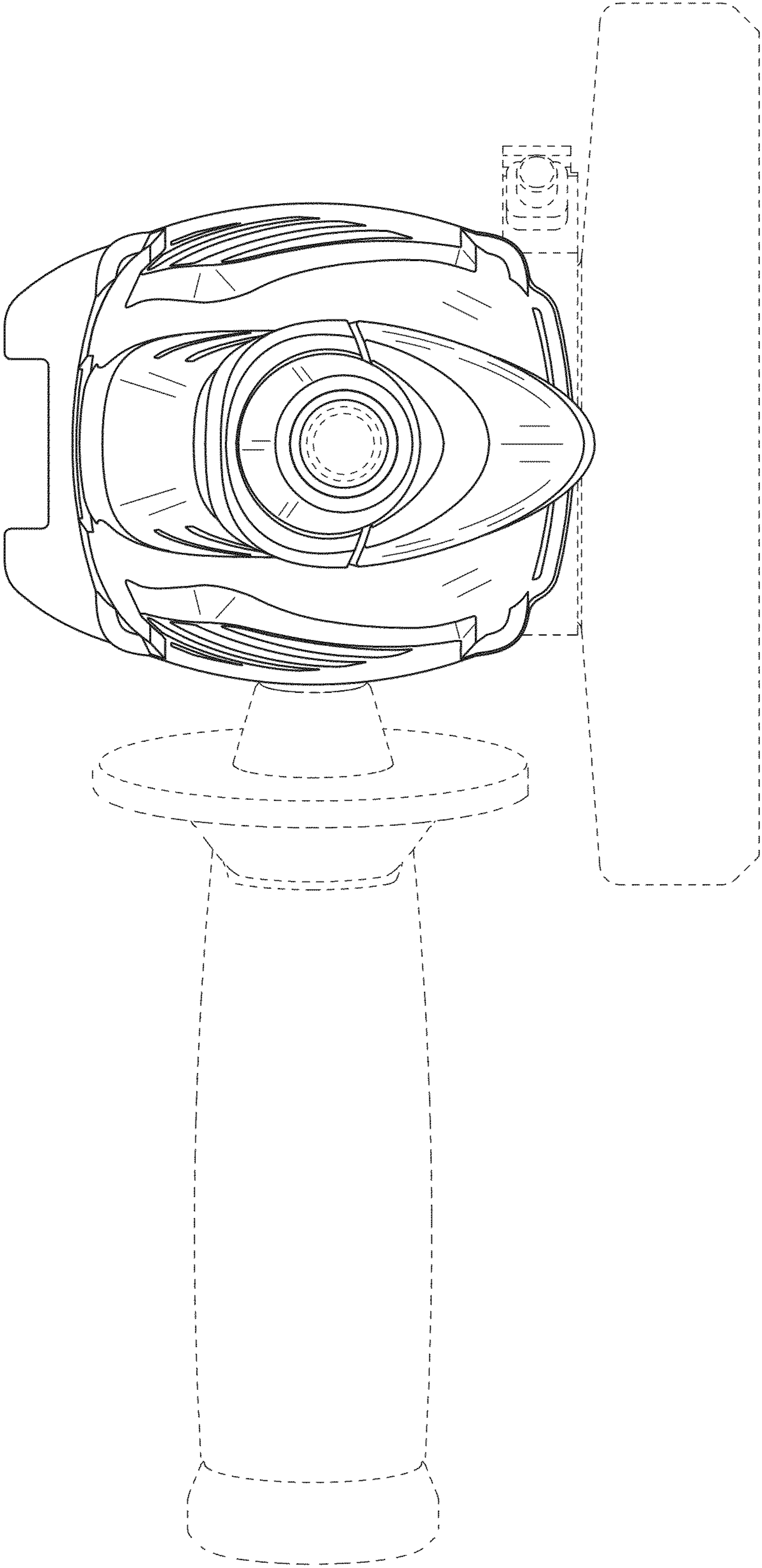


FIG.7