



US00D685239S

(12) **United States Design Patent**
Steiner et al.

(10) **Patent No.:** **US D685,239 S**
(45) **Date of Patent:** **** Jul. 2, 2013**

(54) **CRIMPING TOOL**

(75) Inventors: **Richard A. Steiner**, East Haddam, CT (US); **Joseph Krzyzanski**, New Haven, CT (US)

(73) Assignee: **Rostra Tool Company**, Branford, CT (US)

(**) Term: **14 Years**

(21) Appl. No.: **29/400,832**

(22) Filed: **Sep. 1, 2011**

(51) **LOC (9) Cl.** **08-05**

(52) **U.S. Cl.**
USPC **D8/56**

(58) **Field of Classification Search**
USPC D8/51-56, 60; 29/566.4, 751, 758, 29/237, 268, 270, 234; 72/409.1-409.19
See application file for complete search history.

(56) **References Cited**

U.S. PATENT DOCUMENTS

839,651	A	*	12/1906	Sayer	470/191
D213,848	S	*	4/1969	Hindenburg	D8/58
D232,906	S		9/1974	Lawson		
D289,005	S	*	3/1987	Babb	D8/72
D400,893	S		11/1998	Peterson		
D534,412	S		1/2007	Steiner		
D604,578	S		11/2009	Feliciano		
D628,036	S		11/2010	Steiner		
D646,537	S		10/2011	Kidd		

* cited by examiner

Primary Examiner — Sheryl Lane

(74) *Attorney, Agent, or Firm* — Cantor Colburn LLP

(57) **CLAIM**

We claim, the ornamental design for a crimping tool, as shown and described.

DESCRIPTION

FIG. 1 is a top plan view of an exemplary embodiment of the invention, the bottom plan view being a mirror image thereof; FIG. 2 is a first side elevation view of the exemplary embodiment of FIG. 1, the second side elevation view being a mirror image thereof;

FIG. 3 is a perspective view of the exemplary embodiment of FIG. 1;

FIG. 4 is a top plan view of a second embodiment of the invention, the bottom plan view being a mirror image thereof, the first side elevation view being the same as FIG. 2;

FIG. 5 is a perspective view of the embodiment of FIG. 4;

FIG. 6 is a top plan view of a third embodiment of the invention, the bottom plan view being a mirror image thereof, the first side elevation view being the same as FIG. 2; and,

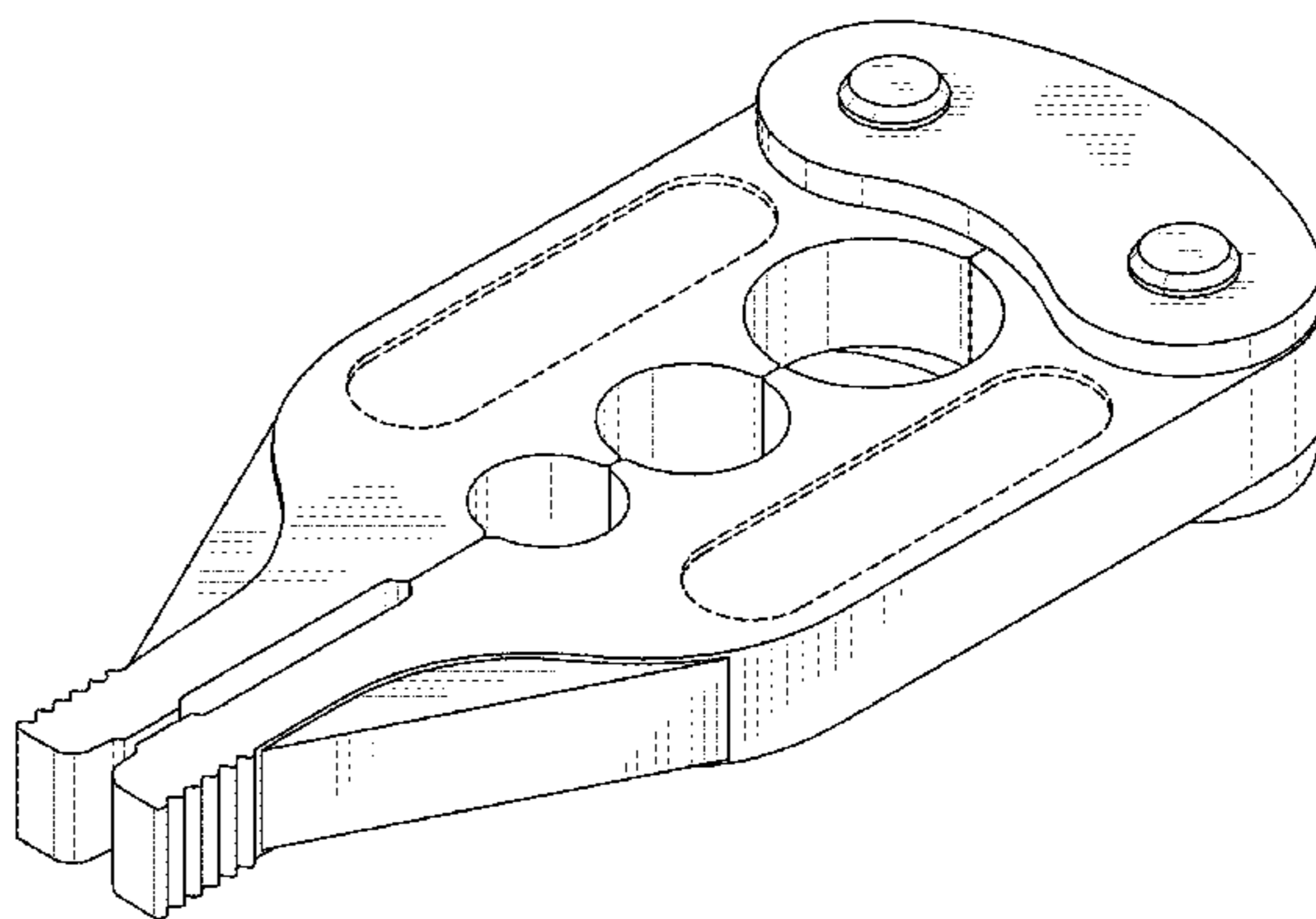
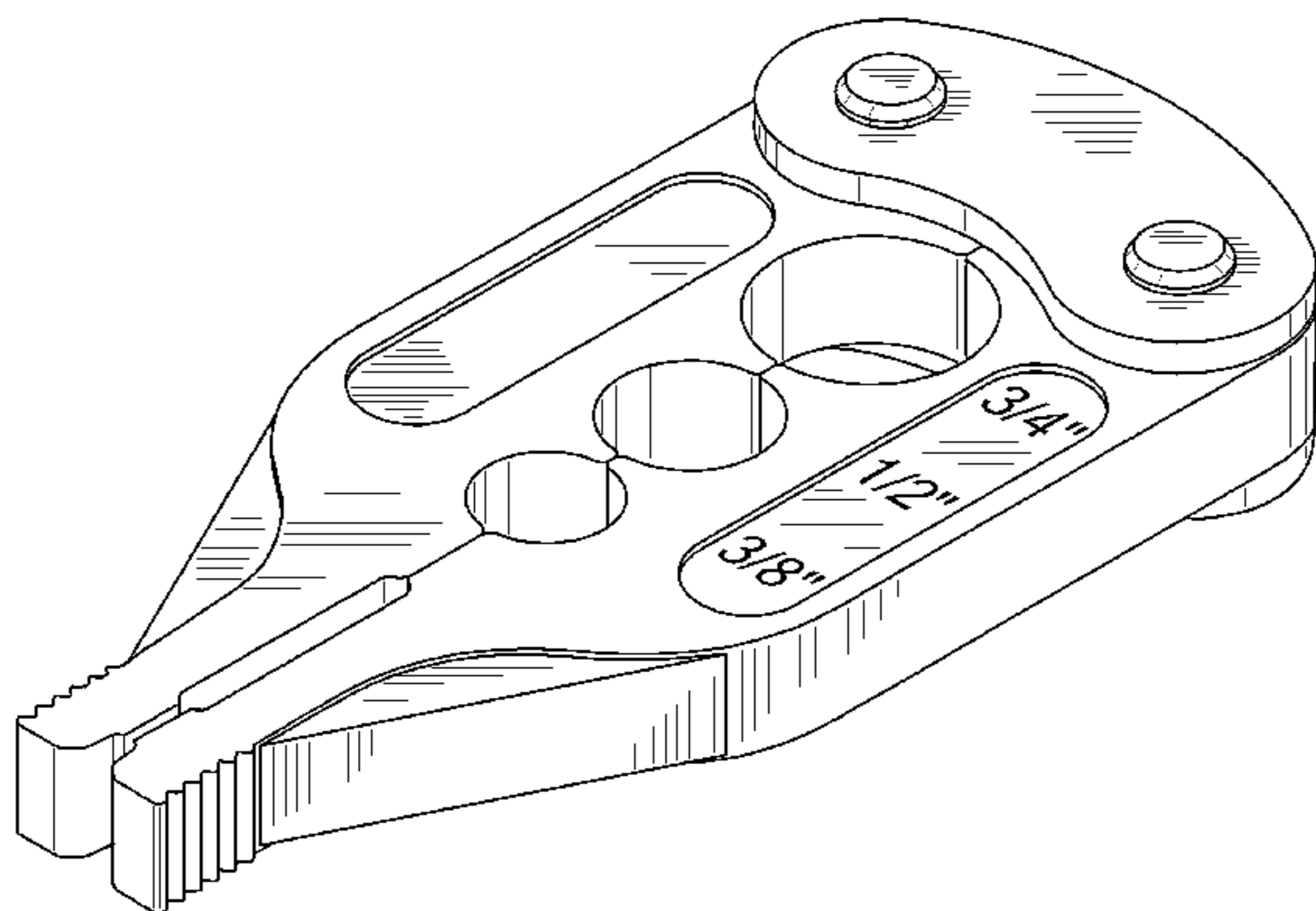
FIG. 7 is a perspective view of the embodiment of FIG. 6.

The phantom lines shown in FIG. 6-FIG. 7 are environmental and not part of the claimed design.

References to “side”, “top”, and “bottom” in the figure descriptions are not meant to require certain in-use orientation; a crimping tool according to the claimed design may be used in any orientation.

The broken line showing of crimping tool is included for the purpose of illustrating portions of the tool and forms no part of the claimed design.

1 Claim, 6 Drawing Sheets



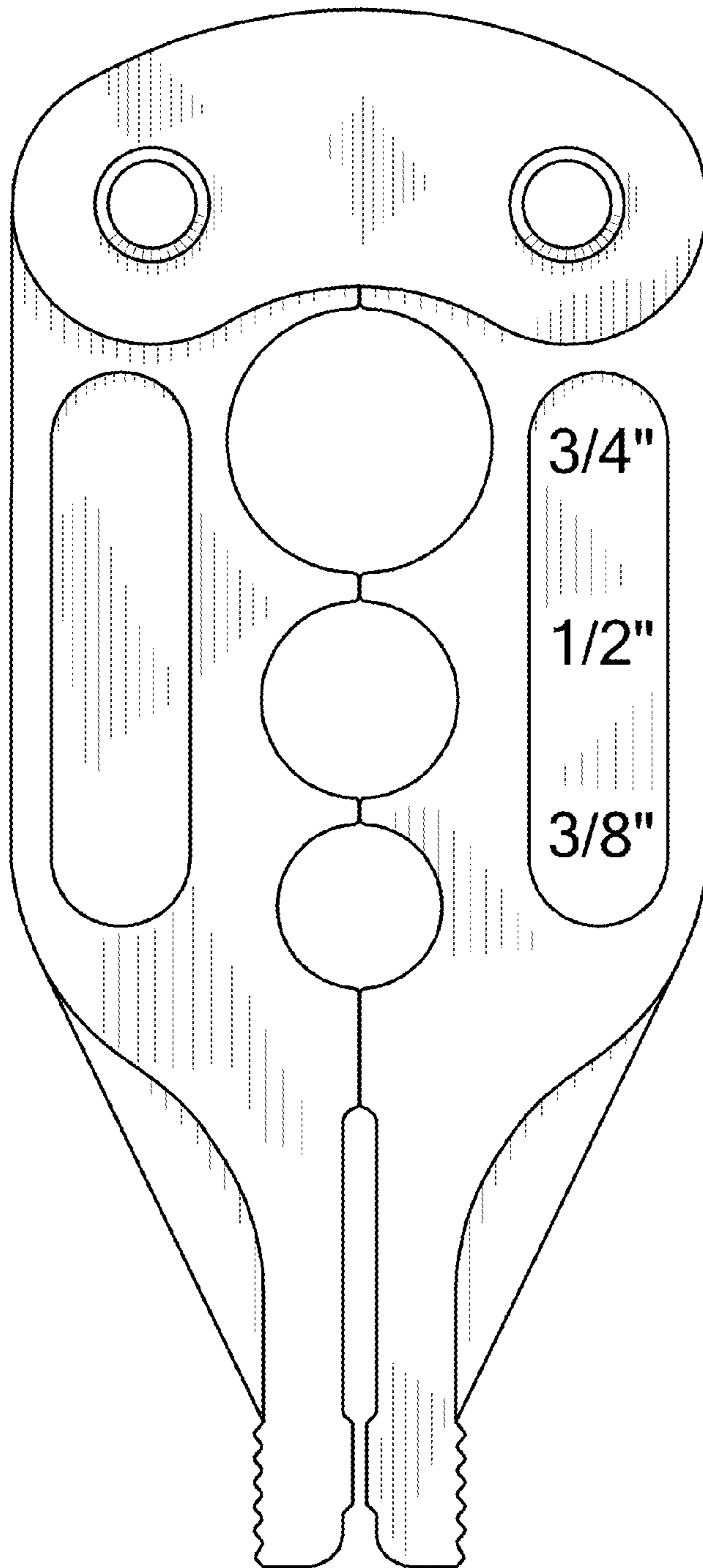


FIG. 1

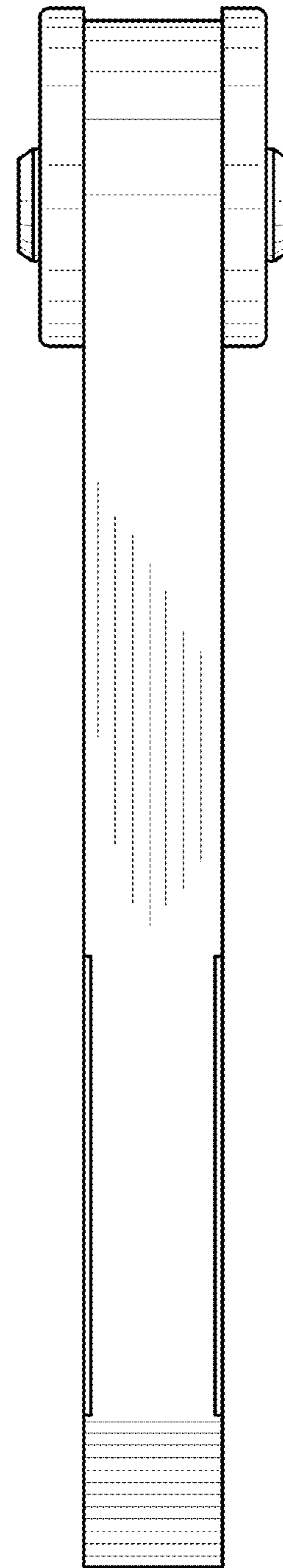


FIG. 2

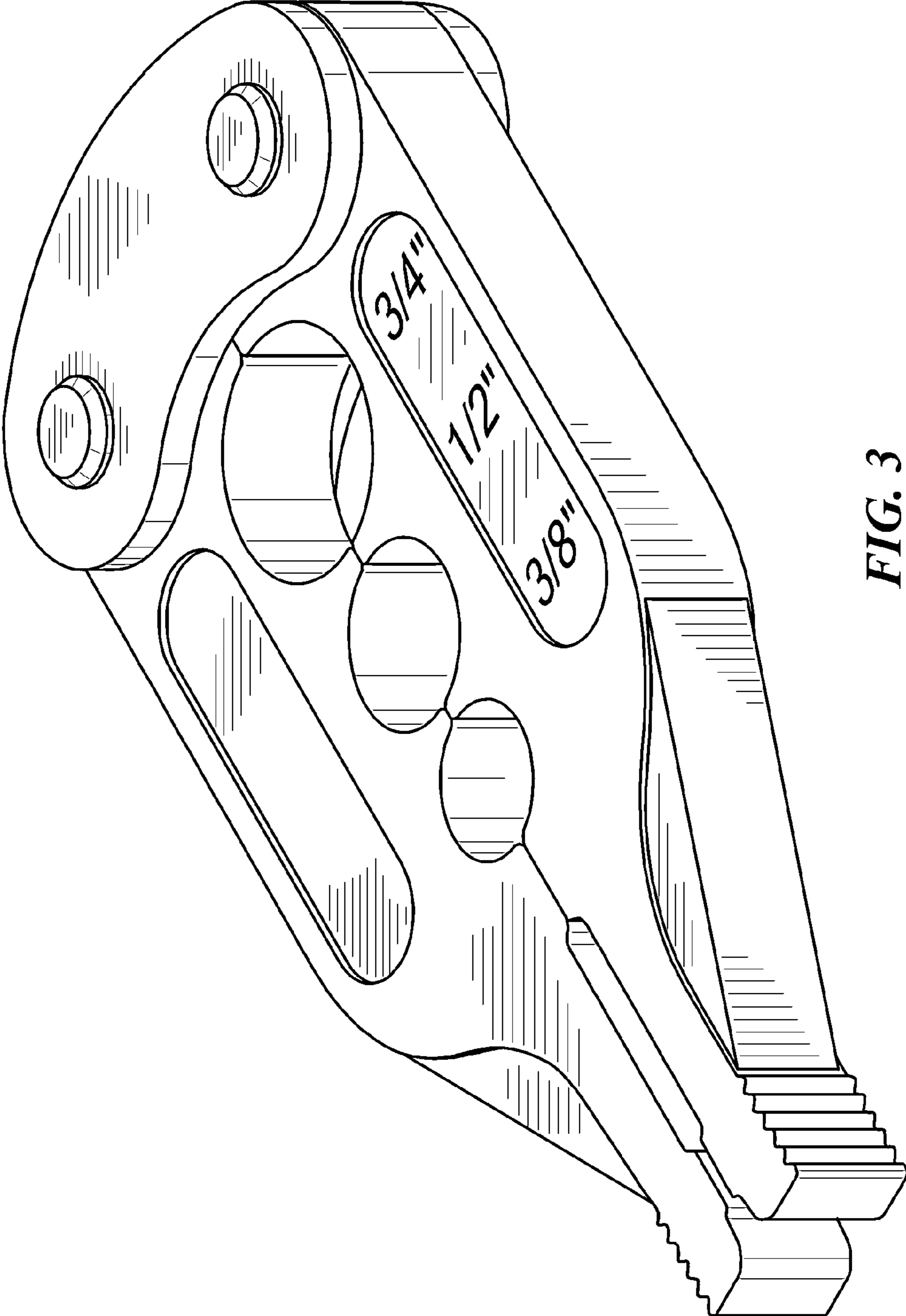


FIG. 3

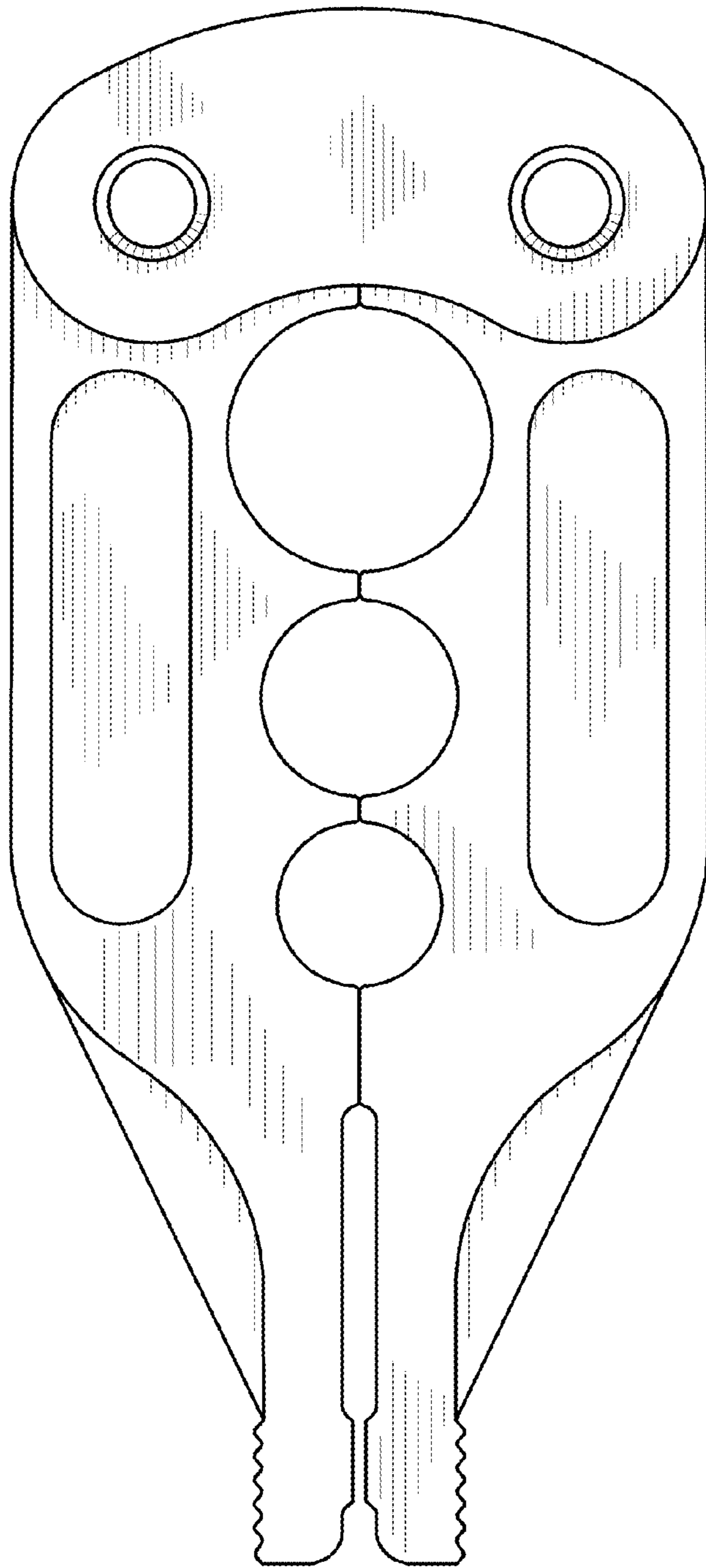


FIG. 4

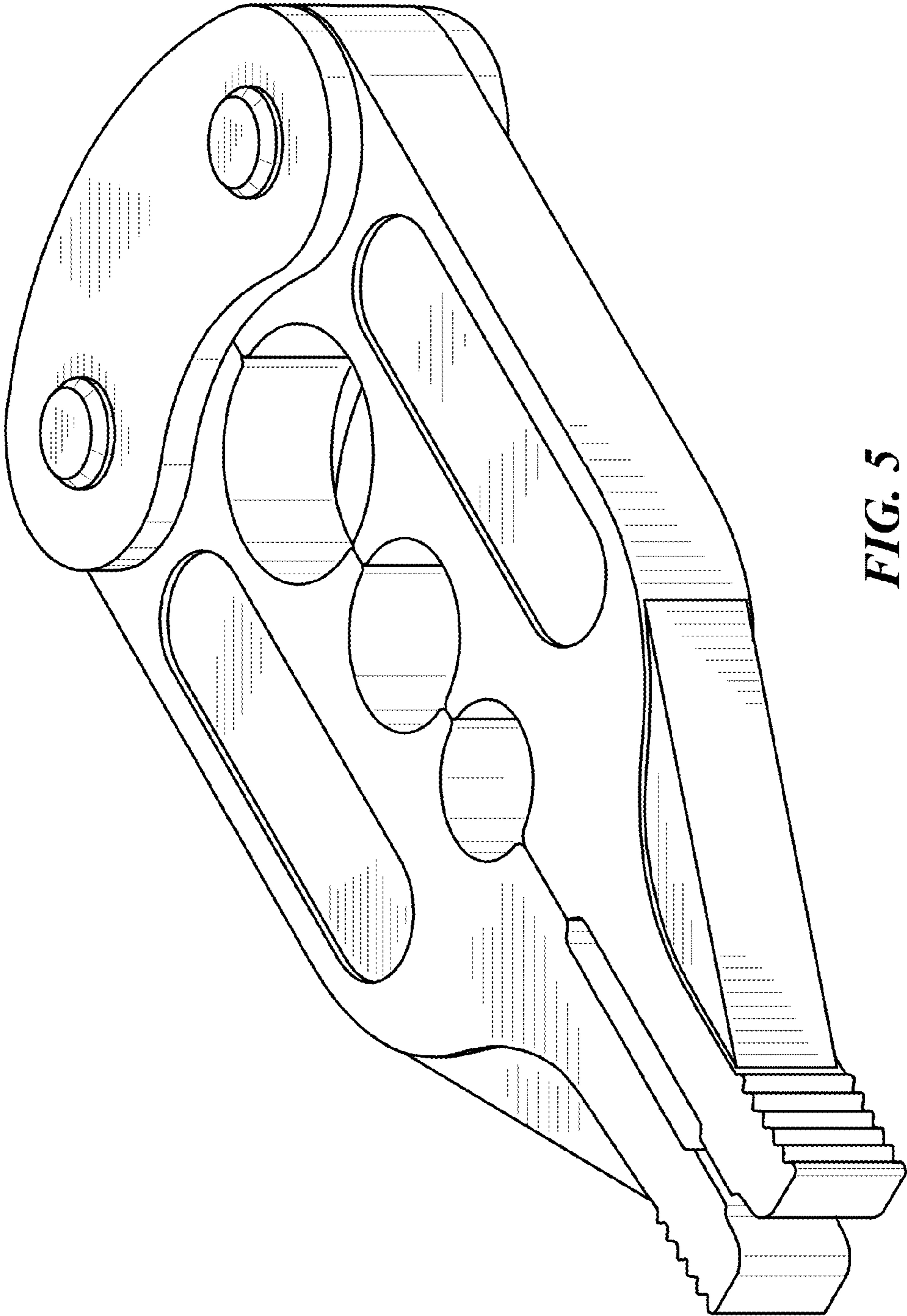


FIG. 5

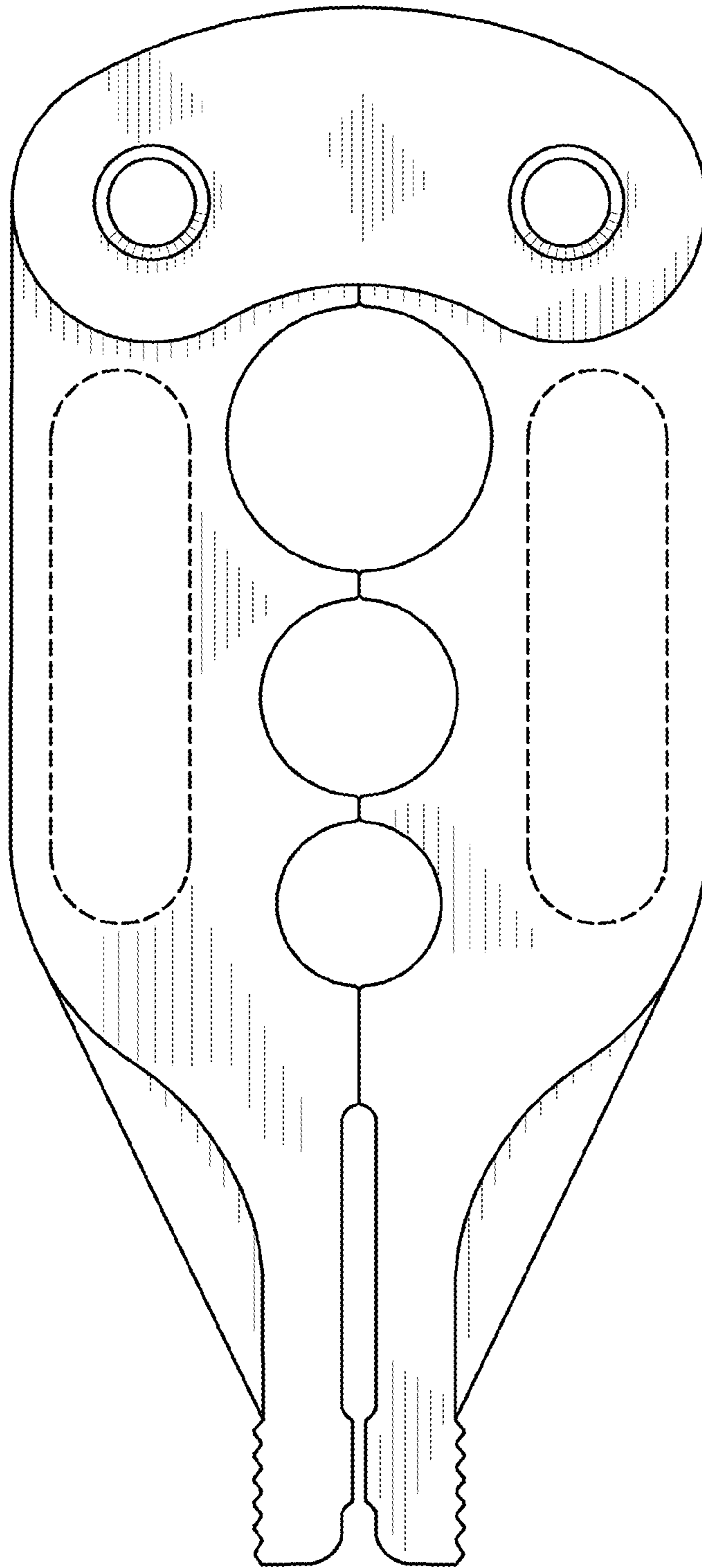


FIG. 6

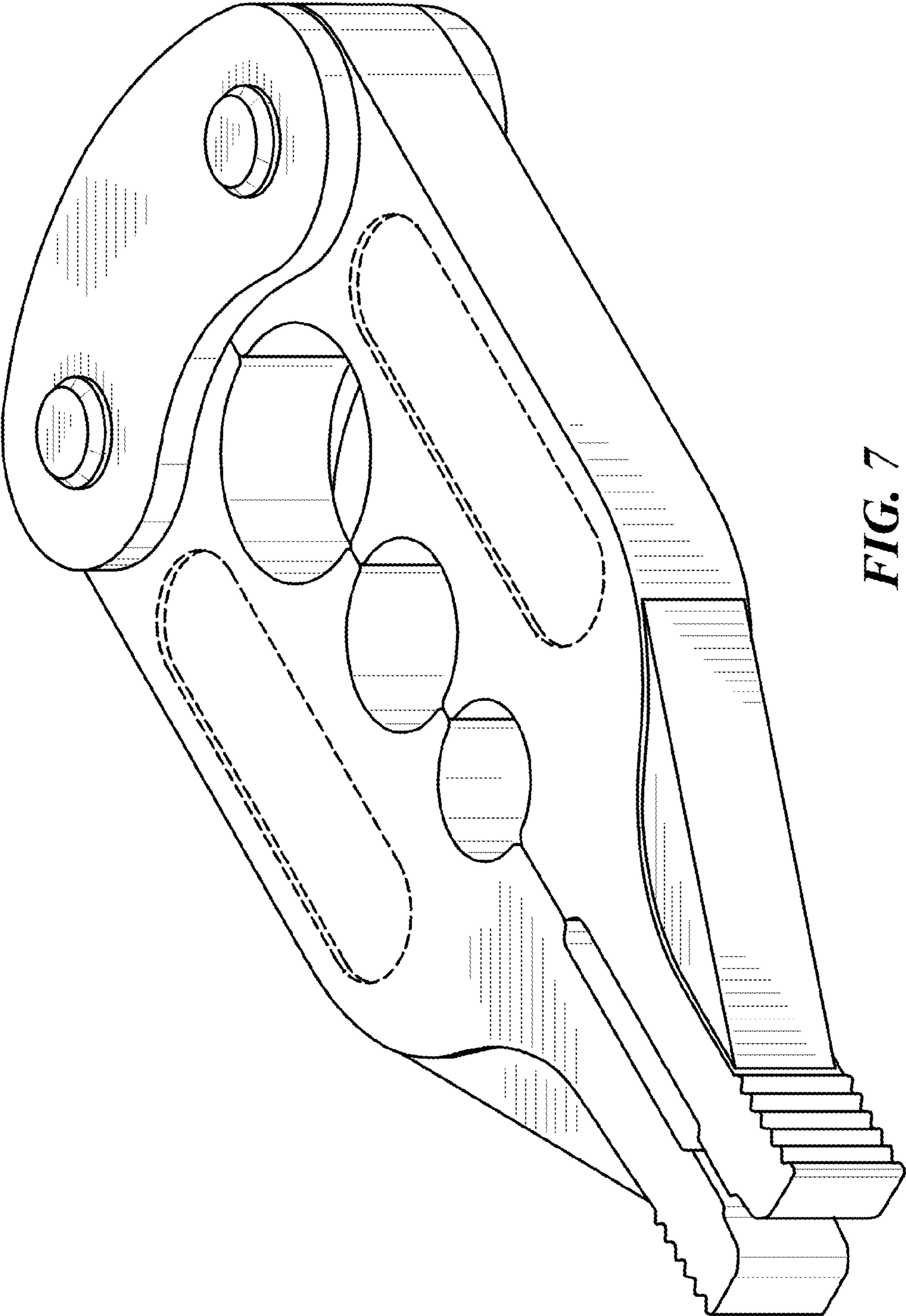


FIG. 7