

US00D685238S

(12) **United States Design Patent**
Rabenstein

(10) **Patent No.:** **US D685,238 S**

(45) **Date of Patent:** **** Jul. 2, 2013**

(54) **BOTTLE OPENER**

(75) Inventor: **Jeffrey Alan Rabenstein**, Peoria, AZ
(US)

(73) Assignee: **Graphic, Inc.**, Peoria, AZ (US)

(**) Term: **14 Years**

(21) Appl. No.: **29/413,943**

(22) Filed: **Feb. 22, 2012**

(51) **LOC (9) Cl.** **07-99**

(52) **U.S. Cl.**

USPC **D8/40**

(58) **Field of Classification Search**

USPC ... D8/14, 16-19, 333-43, 88, 89, 105; 7/113,
7/151-156; 30/400-410, 416-430, 433, 434,
30/443, 450; 81/3.07, 3.09, 3.2, 3.27, 3.29,
81/3.31, 3.35, 3.37, 3.4, 3.45, 3.48, 3.49,
81/3.55

See application file for complete search history.

(56) **References Cited**

U.S. PATENT DOCUMENTS

D87,567 S *	8/1932	Flauder	D8/38
D391,134 S *	2/1998	Laib	D8/40
D394,790 S *	6/1998	Joergensen	D8/33
D434,623 S *	12/2000	Cheng	D8/40
D458,097 S *	6/2002	de la Guardia	D8/33
D473,118 S *	4/2003	Lovegrove	D8/40
D480,935 S *	10/2003	Farce	D8/40
D495,572 S *	9/2004	Yeung	D8/40
D504,290 S *	4/2005	Lockhart	D8/38
D505,847 S *	6/2005	Kelleghan	D8/40
D519,011 S *	4/2006	Lister	D8/40
D519,343 S *	4/2006	Mazzei	D8/40
D591,118 S *	4/2009	Eide et al.	D8/40

* cited by examiner

Primary Examiner — Garth Rademaker

(74) *Attorney, Agent, or Firm* — Booth Udall Fullert, PLC

(57) **CLAIM**

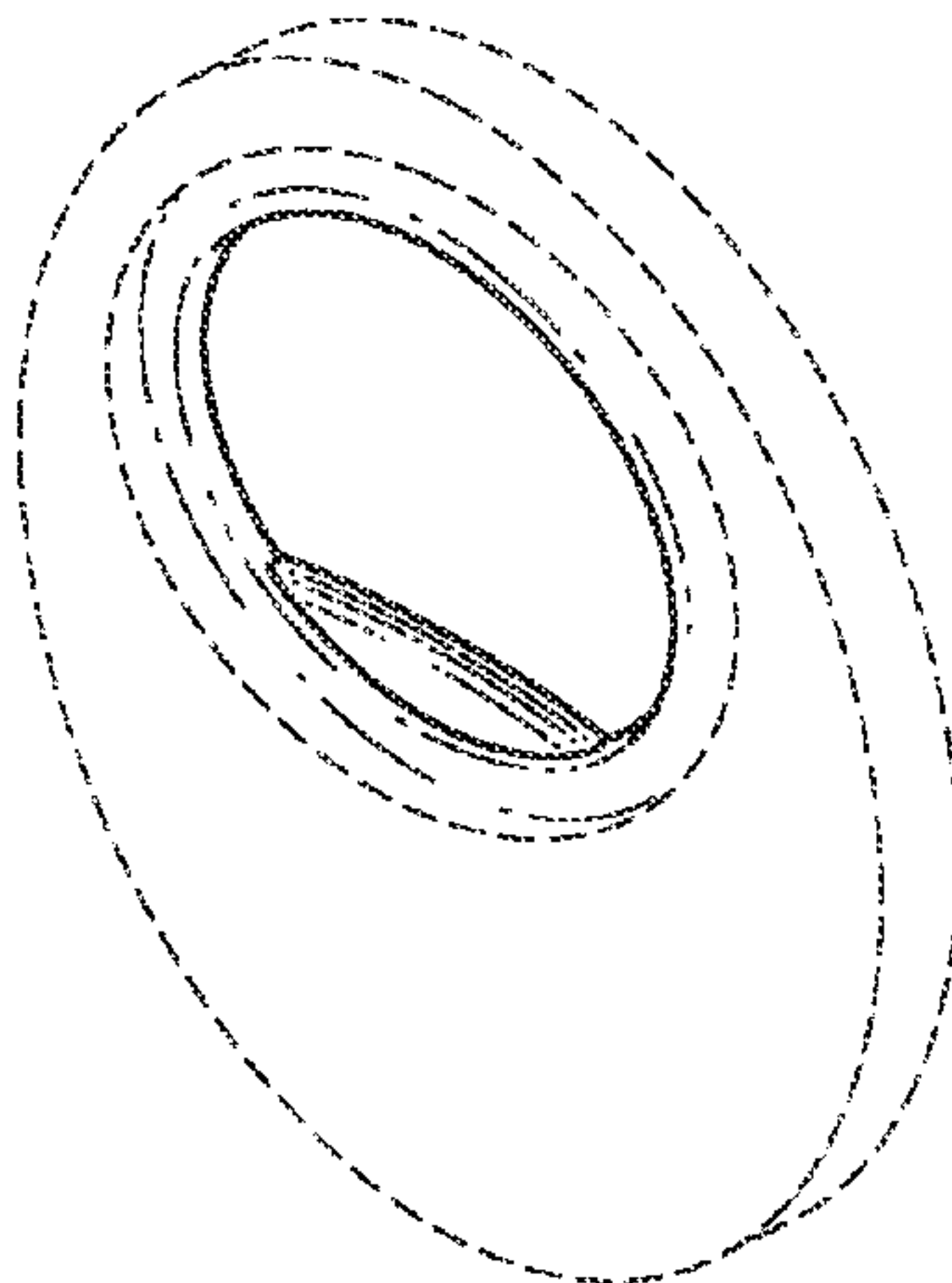
The ornamental design for a bottle opener, as shown and described.

DESCRIPTION

FIG. 1 is a front view of a bottle opener;
 FIG. 2 is a left side view thereof, the right side view, top side view and bottom side view being identical to the left side view;
 FIG. 3 is a perspective view thereof;
 FIG. 4 is a front view thereof, shown in a second environment of use;
 FIG. 5 is a left side view thereof, the right side view, top side view and bottom side view being identical to the left side view;
 FIG. 6 is a perspective view thereof;
 FIG. 7 is a front view thereof, shown in a third environment of use;
 FIG. 8 is a left side view thereof, the right side view, top side view and bottom side view being identical to the left side view;
 FIG. 9 is a perspective view thereof;
 FIG. 10 is a front view thereof, shown in a fourth environment of use;
 FIG. 11 is a left side view thereof, the right side view being identical to the left side view;
 FIG. 12 is a bottom view thereof, the top view being identical to the bottom view;
 FIG. 13 is a perspective view thereof;
 FIG. 14 is a front view thereof, shown in a fifth environment of use;
 FIG. 15 is a bottom view thereof, the top view being identical to the bottom view;
 FIG. 16 is a left side view thereof, the right side view being identical to the left side view; and,
 FIG. 17 is a perspective view thereof.

The broken lines surrounding solid line portions of the drawings illustrate the boundaries of the claimed design. Other broken lines depict environmental subject matter only. None of the broken lines form any part of the claimed design.

1 Claim, 5 Drawing Sheets



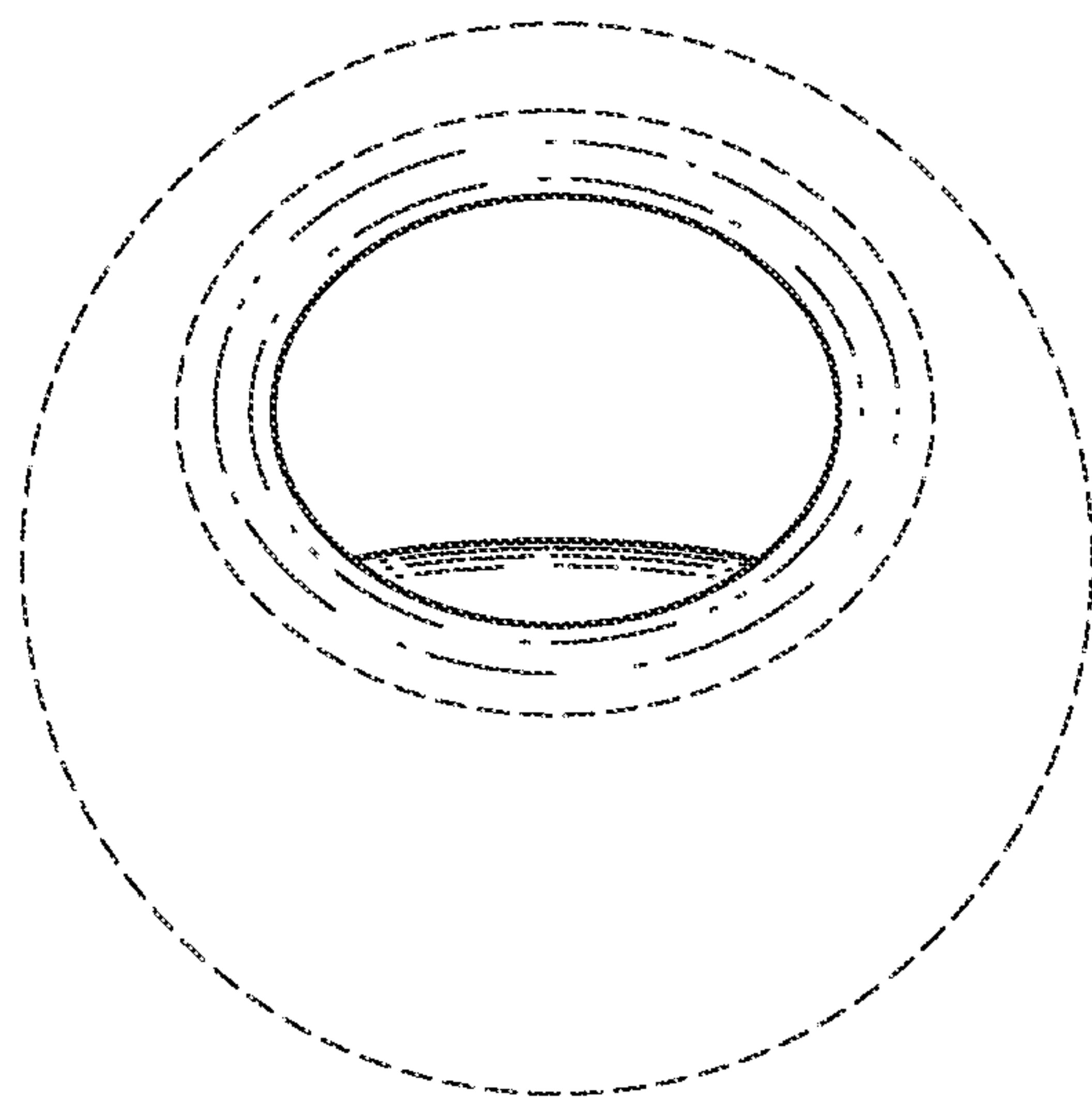


FIG. 1



FIG. 2

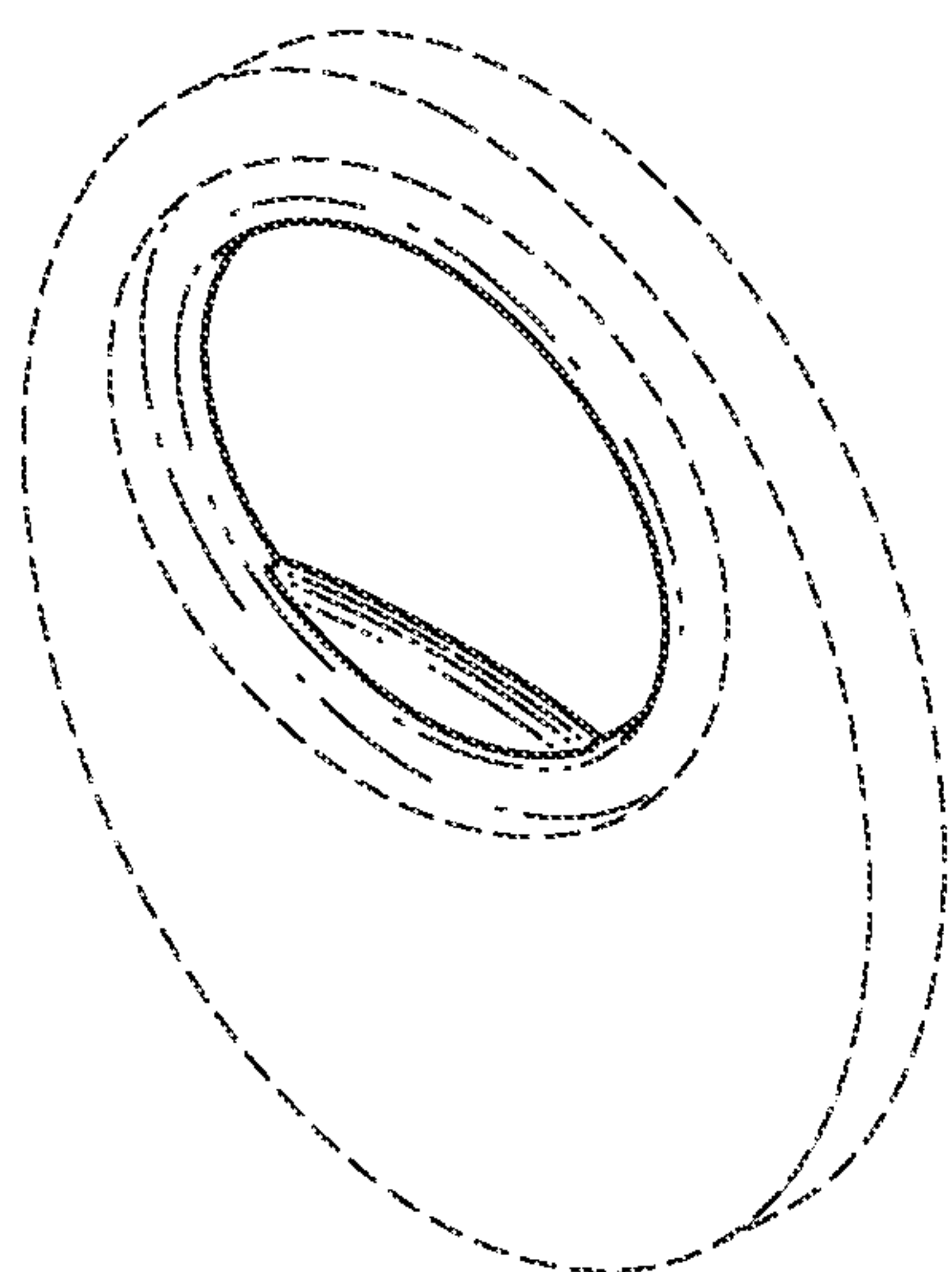


FIG. 3

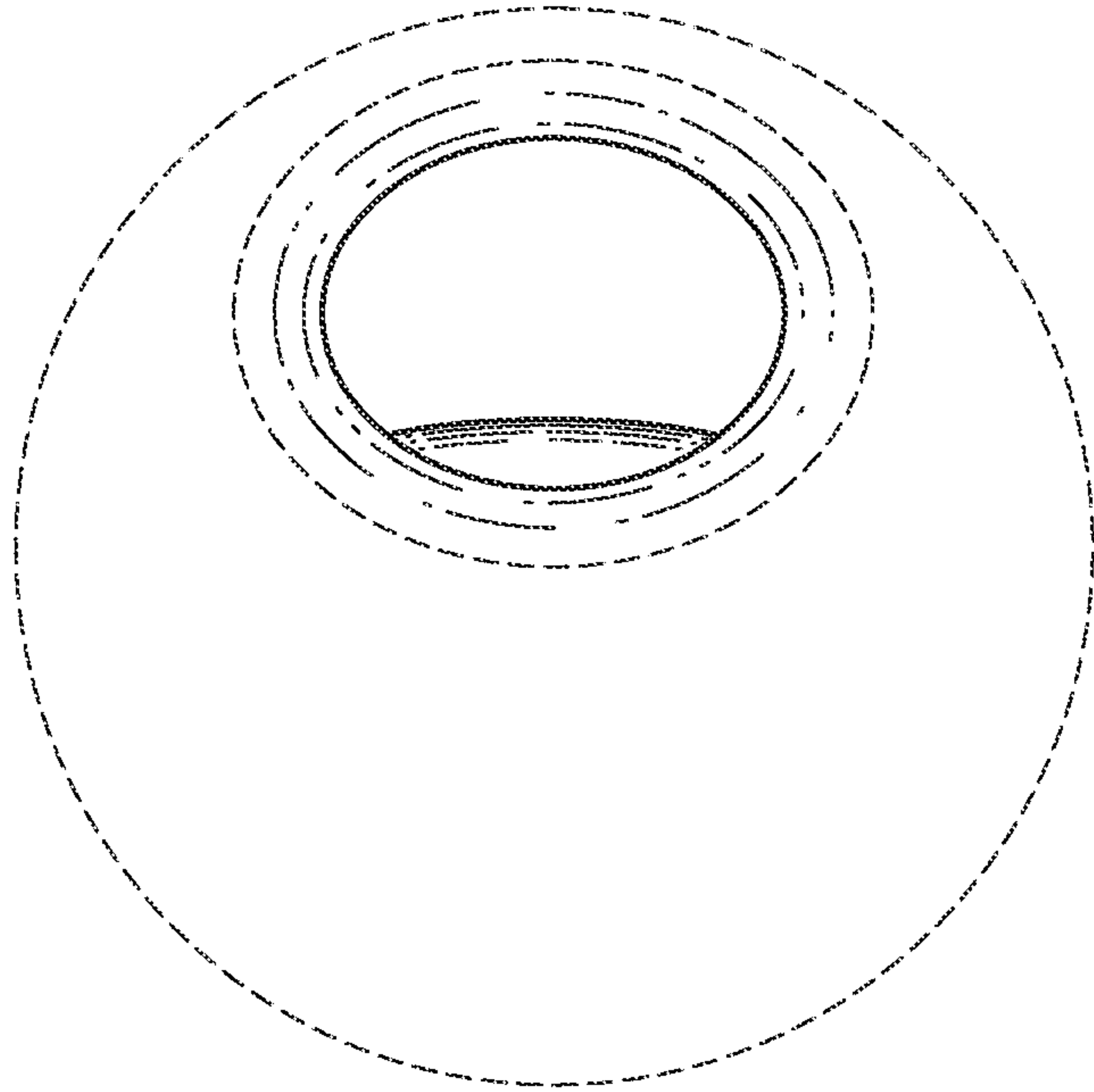


FIG. 4

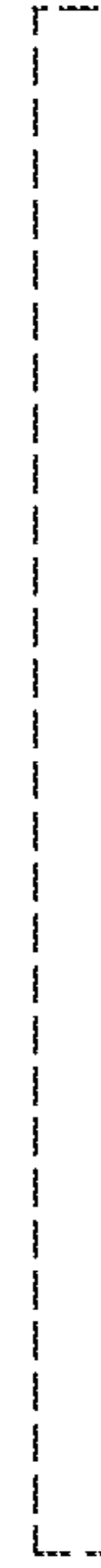


FIG. 5

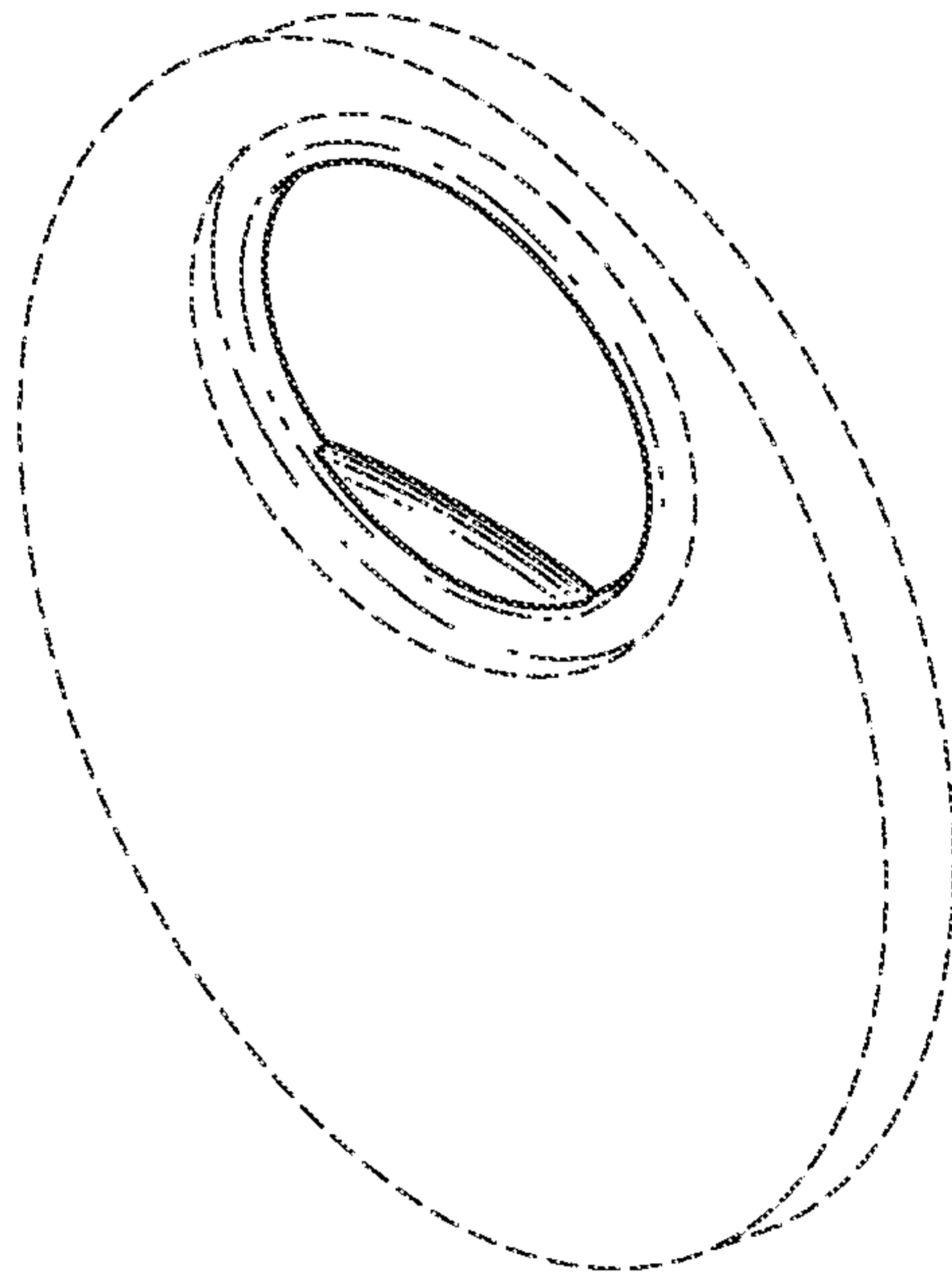


FIG. 6

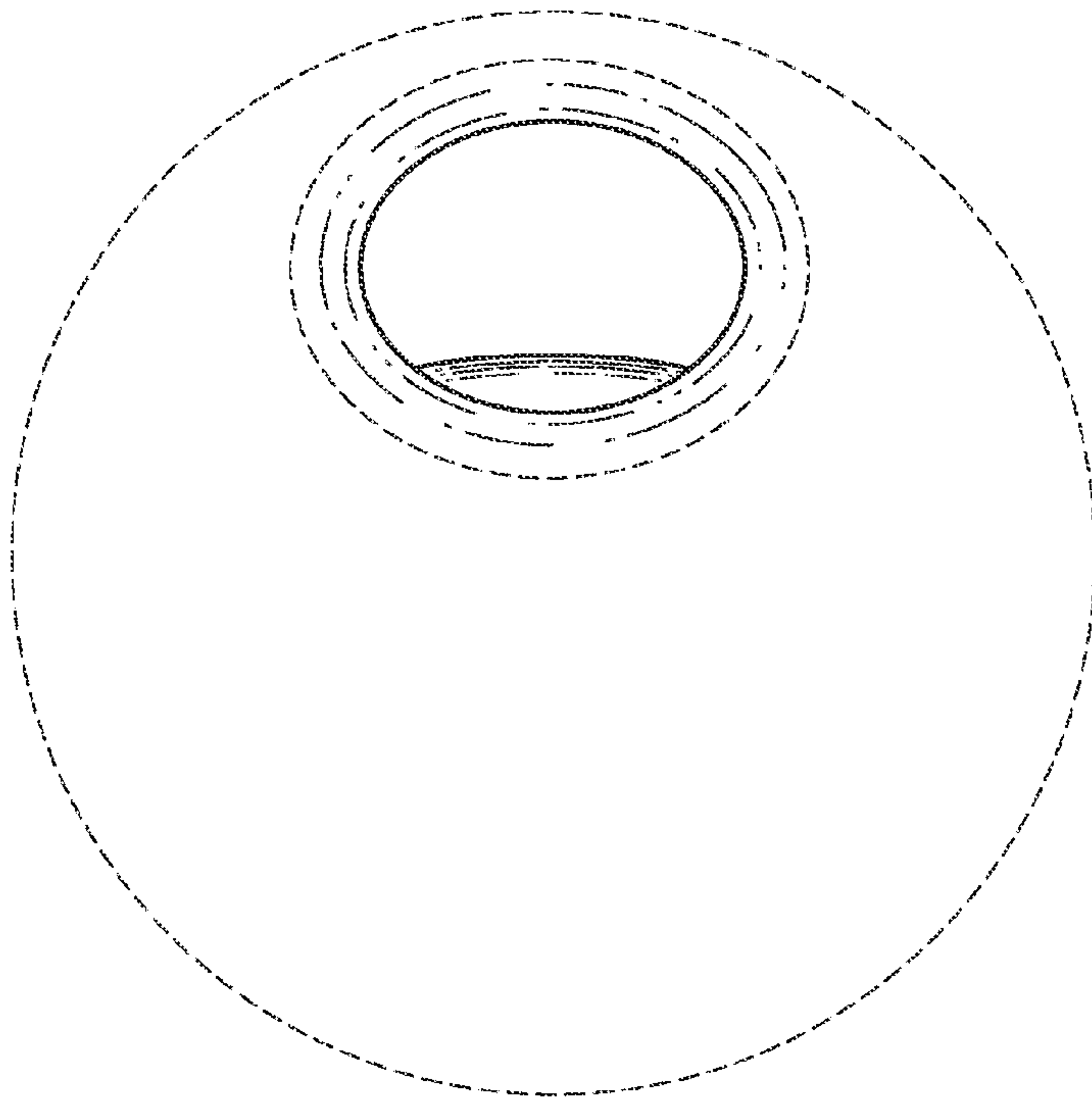


FIG. 7

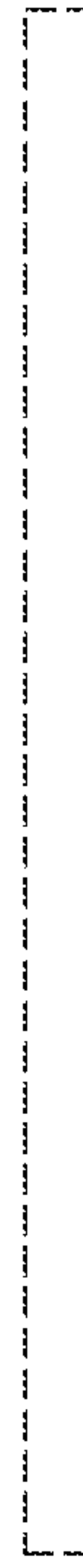


FIG. 8

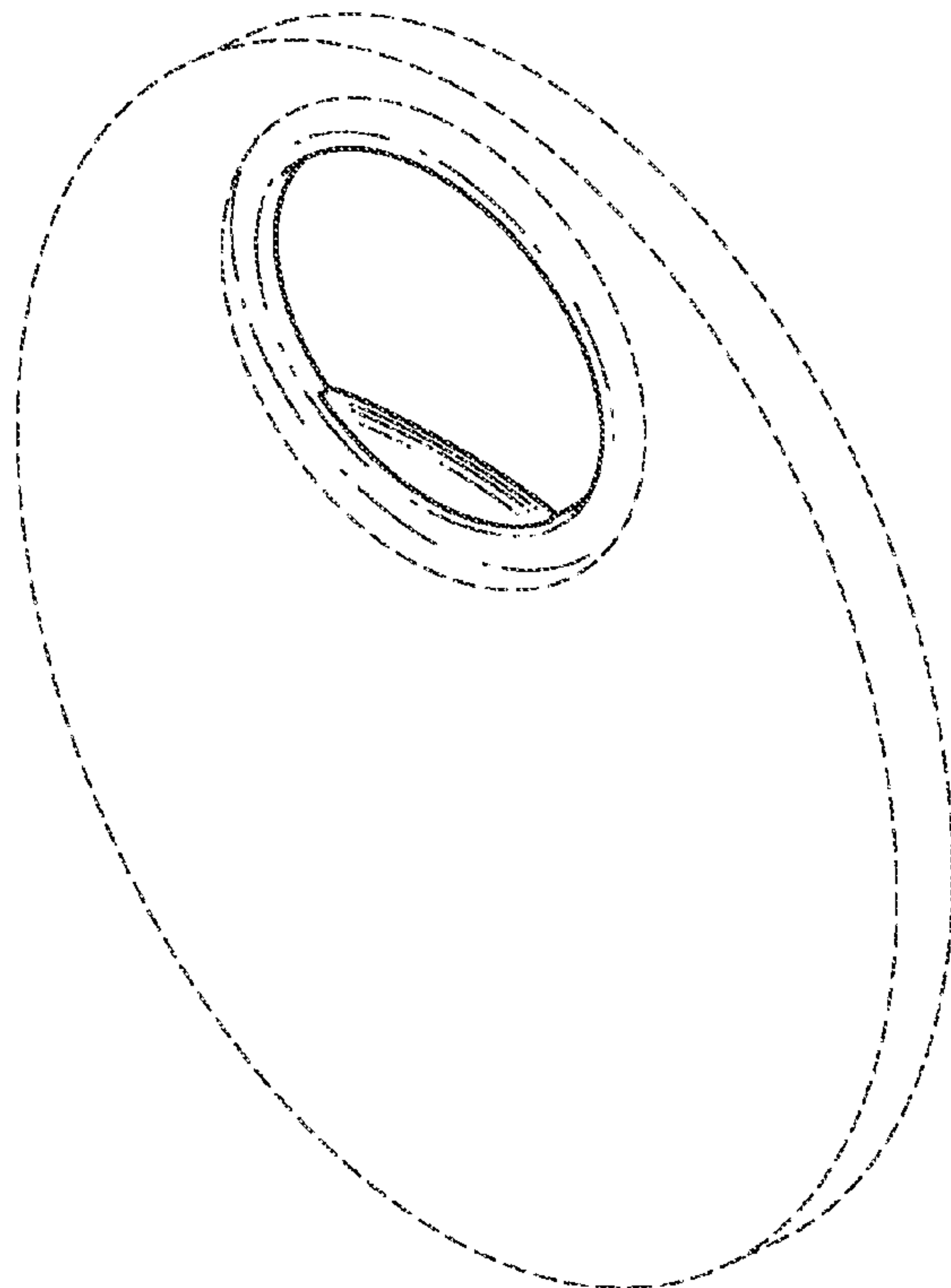


FIG. 9

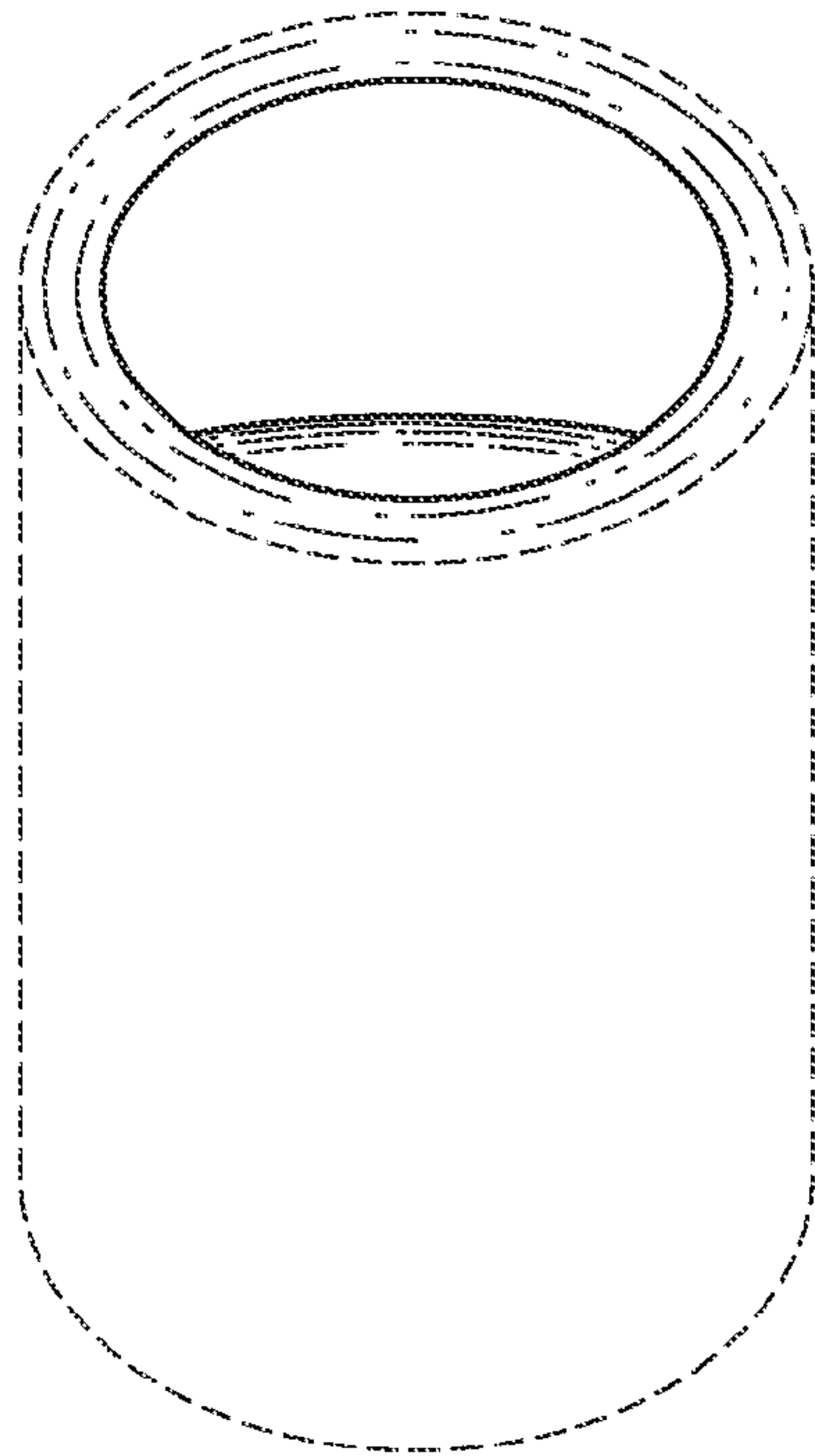


FIG. 10



FIG. 11



FIG. 12

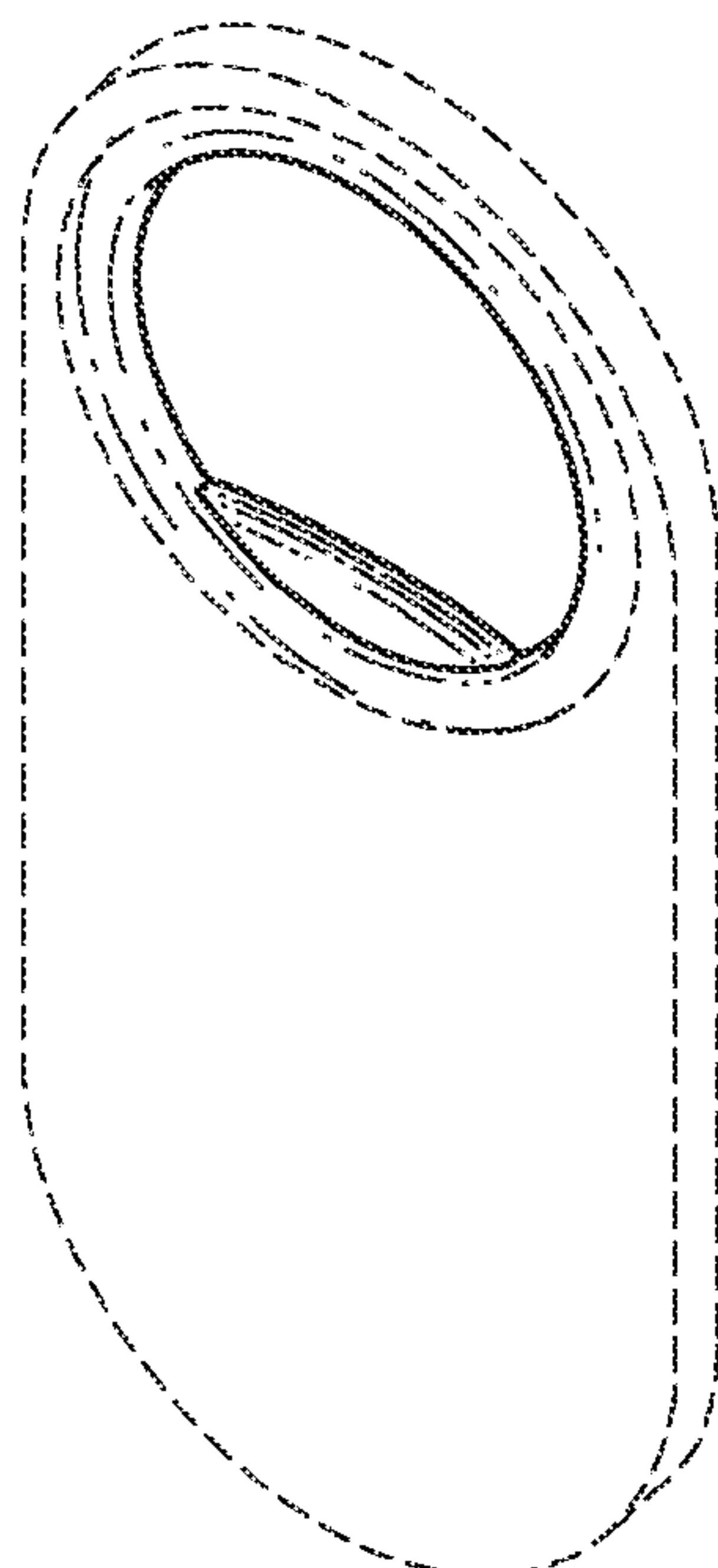


FIG. 13



FIG. 14



FIG. 15

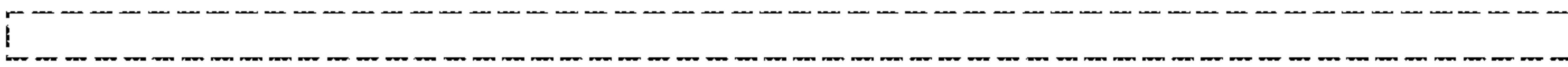


FIG. 16

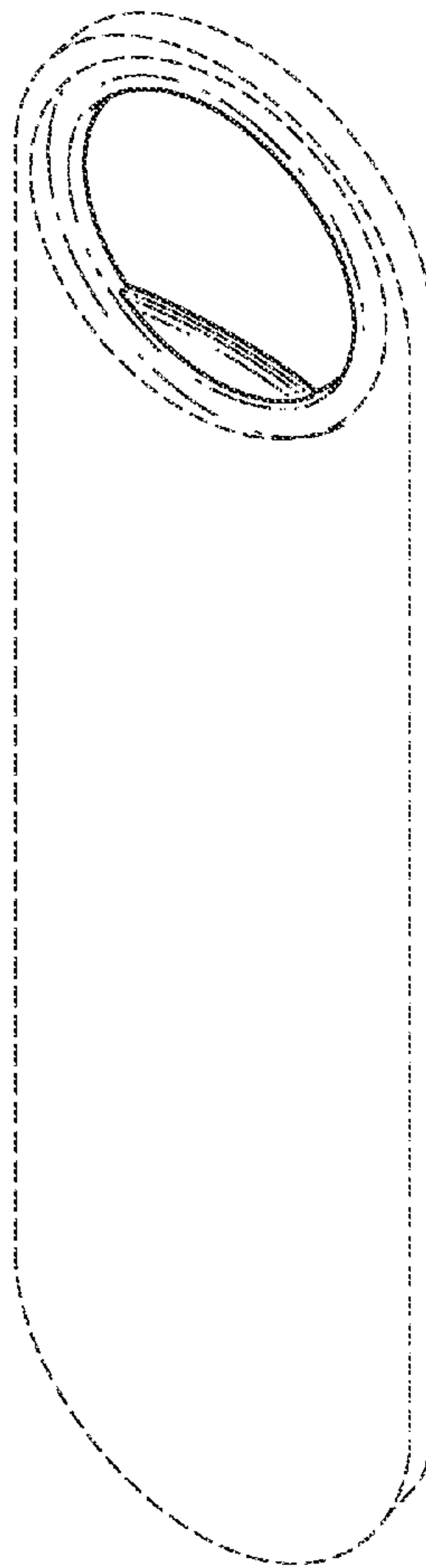


FIG. 17