



US00D685237S

(12) **United States Design Patent**  
**Super**

(10) **Patent No.:** **US D685,237 S**

(45) **Date of Patent:** **\*\* Jul. 2, 2013**

(54) **SOCKET**

(75) Inventor: **Orion J. Super**, Miramar, FL (US)

(73) Assignee: **International Specialty Services, Inc.**,  
Travlers Rest, SC (US)

(\*\*) Term: **14 Years**

(21) Appl. No.: **29/426,065**

(22) Filed: **Jun. 29, 2012**

**Related U.S. Application Data**

(63) Continuation of application No. 29/379,379, filed on Nov. 18, 2010, now abandoned, which is a continuation of application No. 29/331,803, filed on Feb. 2, 2009, now abandoned.

(51) **LOC (9) Cl.** ..... **08-05**

(52) **U.S. Cl.**  
USPC ..... **D8/29**

(58) **Field of Classification Search**  
USPC ..... D8/21-29; 81/58.3-59.16, 177.1,  
81/177.85, 121.1, 124.3, 165-170, 110.1,  
81/176.2, 124.6, 176.1, 176.15, 177.2;  
16/110.1; D15/144.1; 219/75, 227, 229, 121.16,  
219/121.18

See application file for complete search history.

(56) **References Cited**

**U.S. PATENT DOCUMENTS**

5,448,930	A *	9/1995	Miner et al.	81/57.39
6,601,477	B2 *	8/2003	Huang	81/63.2
D500,436	S *	1/2005	Chen	D8/29
7,249,638	B2 *	7/2007	Bodine et al.	173/93
D567,605	S *	4/2008	Yu	D8/29
8,176,817	B2 *	5/2012	Liu	81/177.75
8,342,061	B2 *	1/2013	Super	81/177.85

2006/0175773 A1\* 8/2006 Tsai et al. .... 279/143

\* cited by examiner

*Primary Examiner* — Raphael Barkai  
*Assistant Examiner* — Randall Gholson

(74) *Attorney, Agent, or Firm* — J. Bennett Mullinax, LLC

(57) **CLAIM**

The ornamental design for a socket, as shown and described.

**DESCRIPTION**

FIG. 1 is a perspective view of the socket according to a first embodiment of the present design;

FIG. 2 is a front elevation view of the socket as shown in FIG. 1;

FIG. 3 is a rear elevation view of the socket as shown in FIG. 1;

FIG. 4 is a left side elevation view of the socket as shown in FIG. 1;

FIG. 5 is a right side elevation view of the socket as shown in FIG. 1;

FIG. 6 is a top plan view of the socket as shown in FIG. 1;

FIG. 7 is a bottom plan view of the socket as shown in FIG. 1;

FIG. 8 is a perspective view of the socket according to a second embodiment of the present design;

FIG. 9 is a front elevation view of the socket as shown in FIG. 8;

FIG. 10 is a rear elevation view of the socket as shown in FIG. 8;

FIG. 11 is a left side elevation view of the socket as shown in FIG. 8;

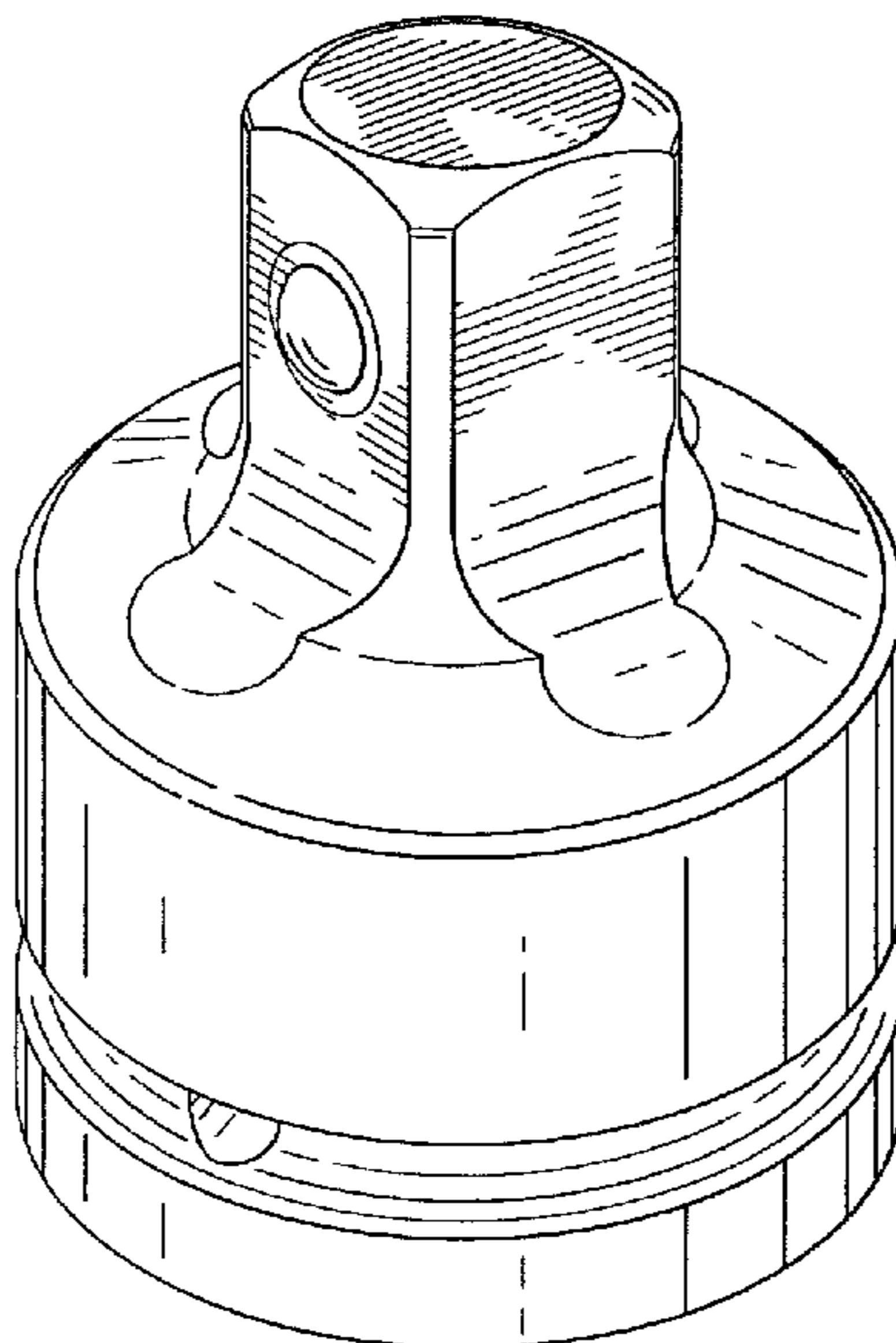
FIG. 12 is a right side elevation view of the socket as shown in FIG. 8;

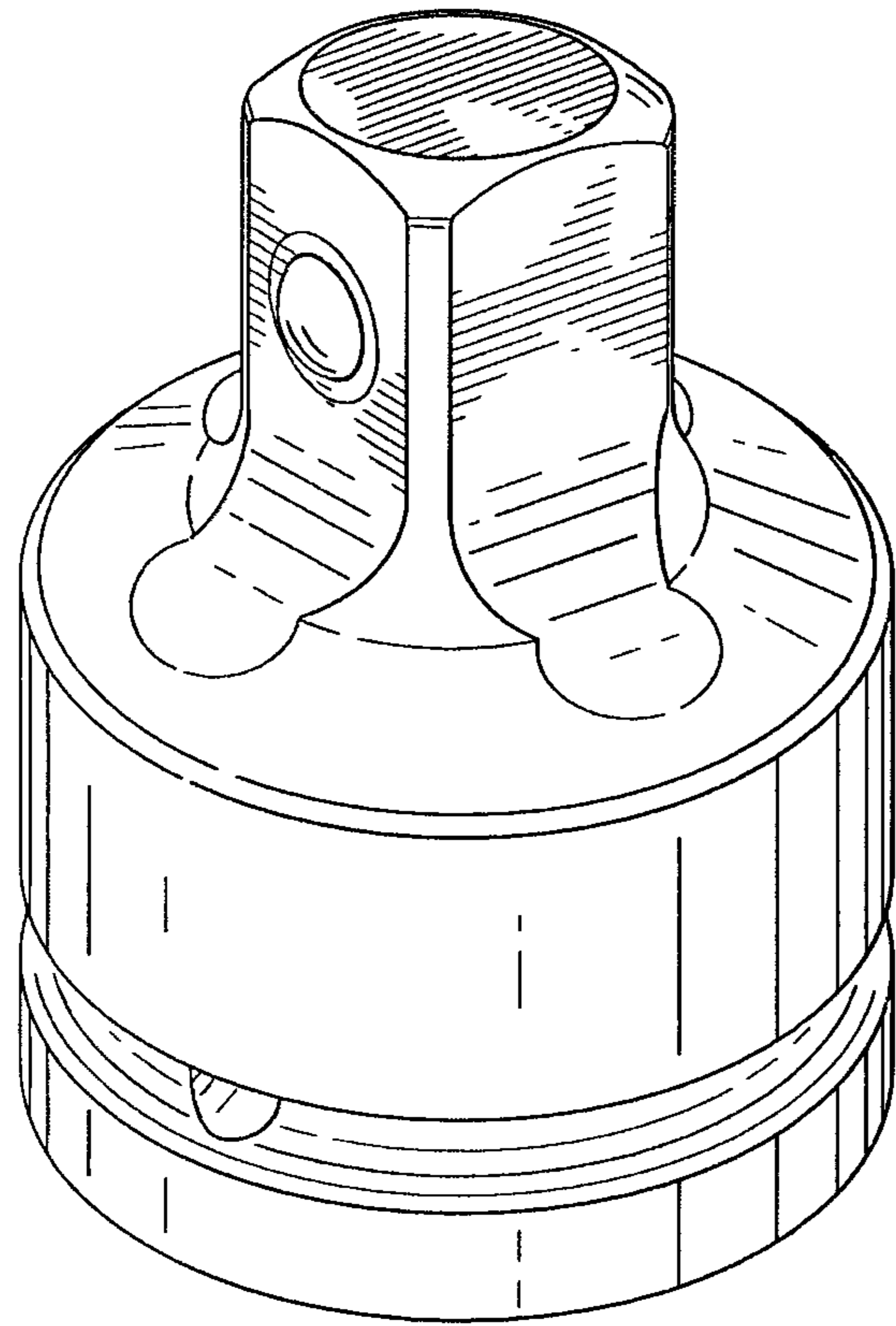
FIG. 13 is a top plan view of the socket as shown in FIG. 8; and,

FIG. 14 is a bottom plan view of the socket shown in FIG. 8.

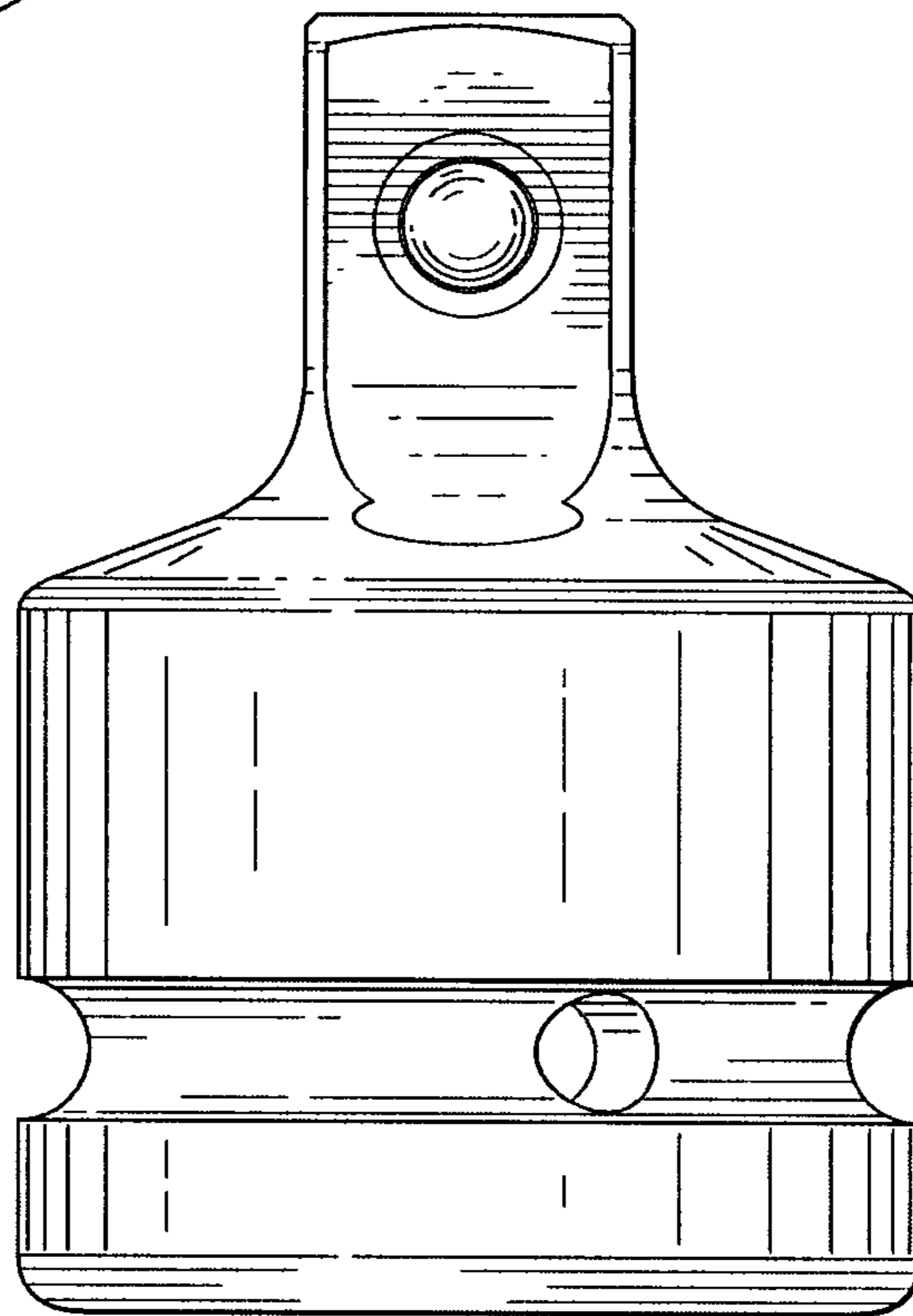
The features shown in broken lines depict portions of the socket that form no part of the claimed design.

**1 Claim, 6 Drawing Sheets**

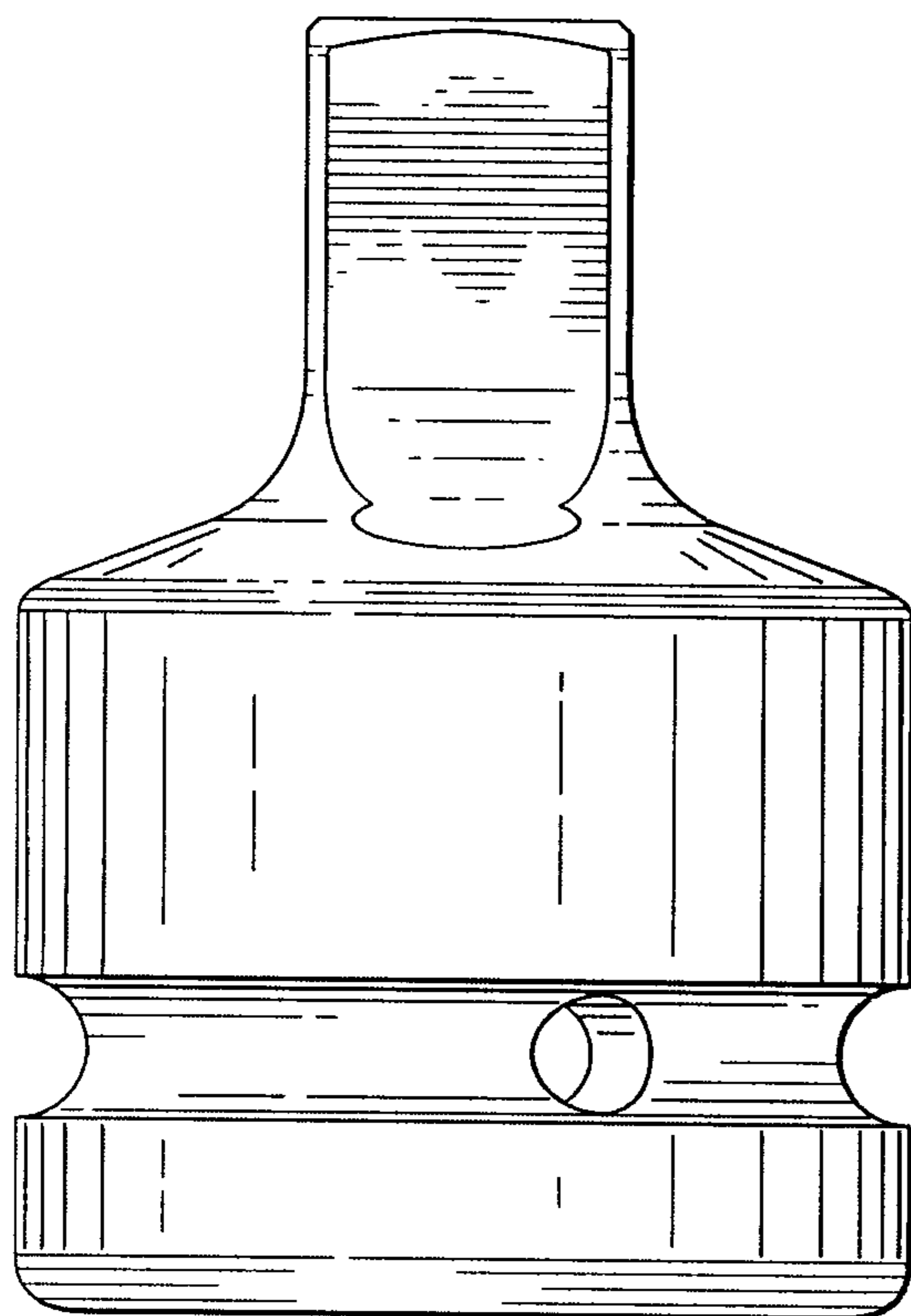




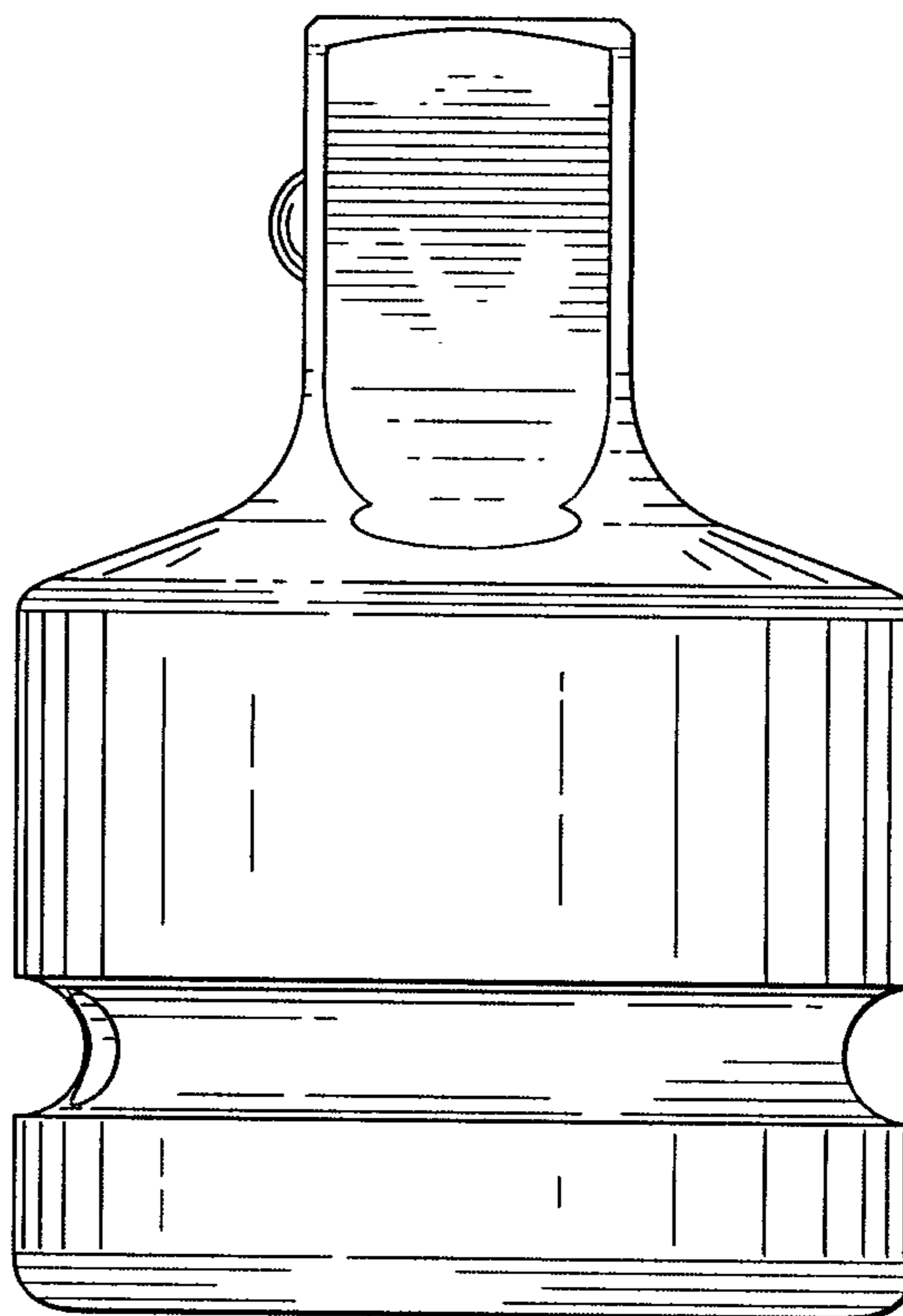
**FIG. 1**



**FIG. 2**



**FIG. 3**



**FIG. 4**

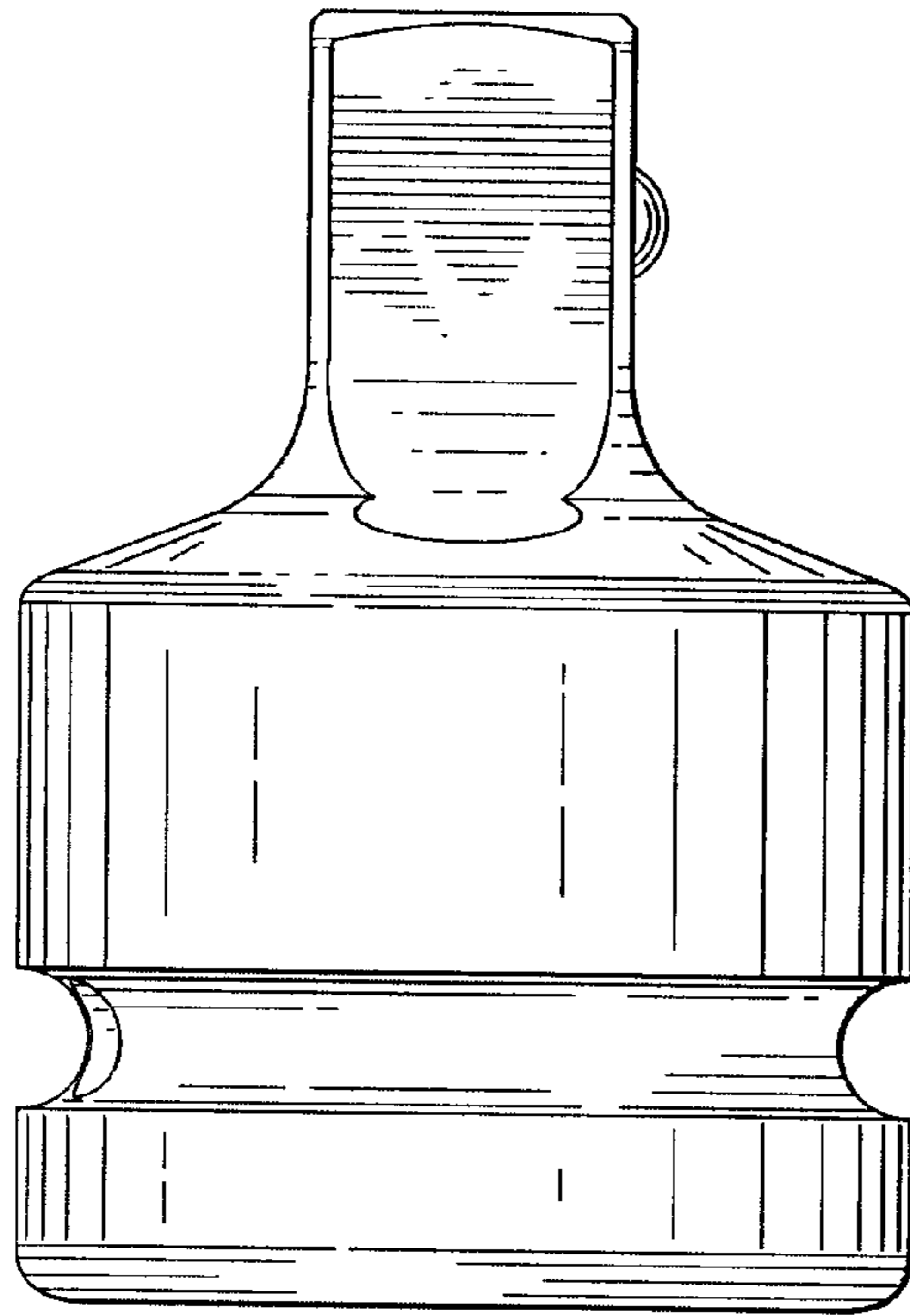


FIG. 5

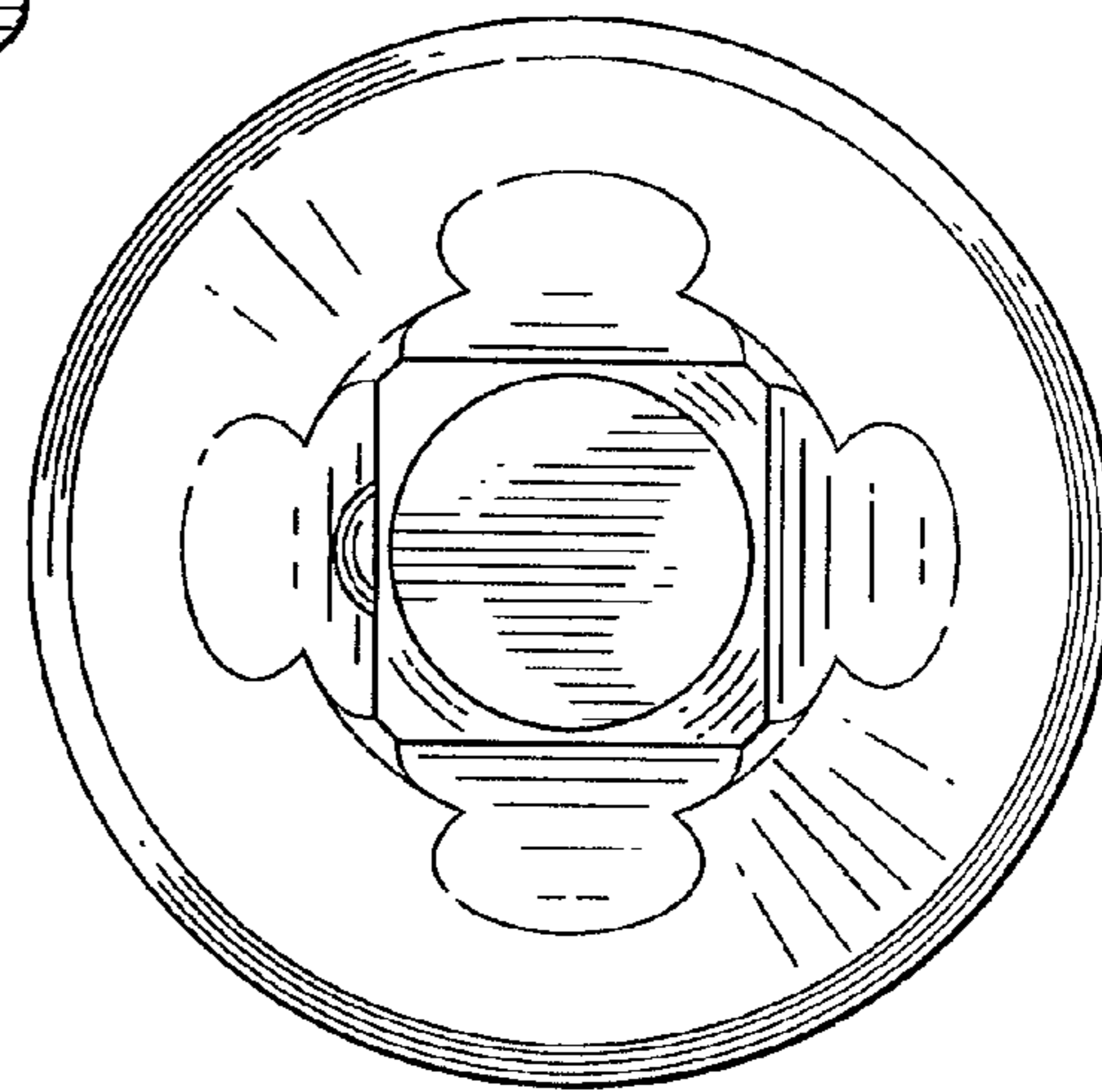


FIG. 6

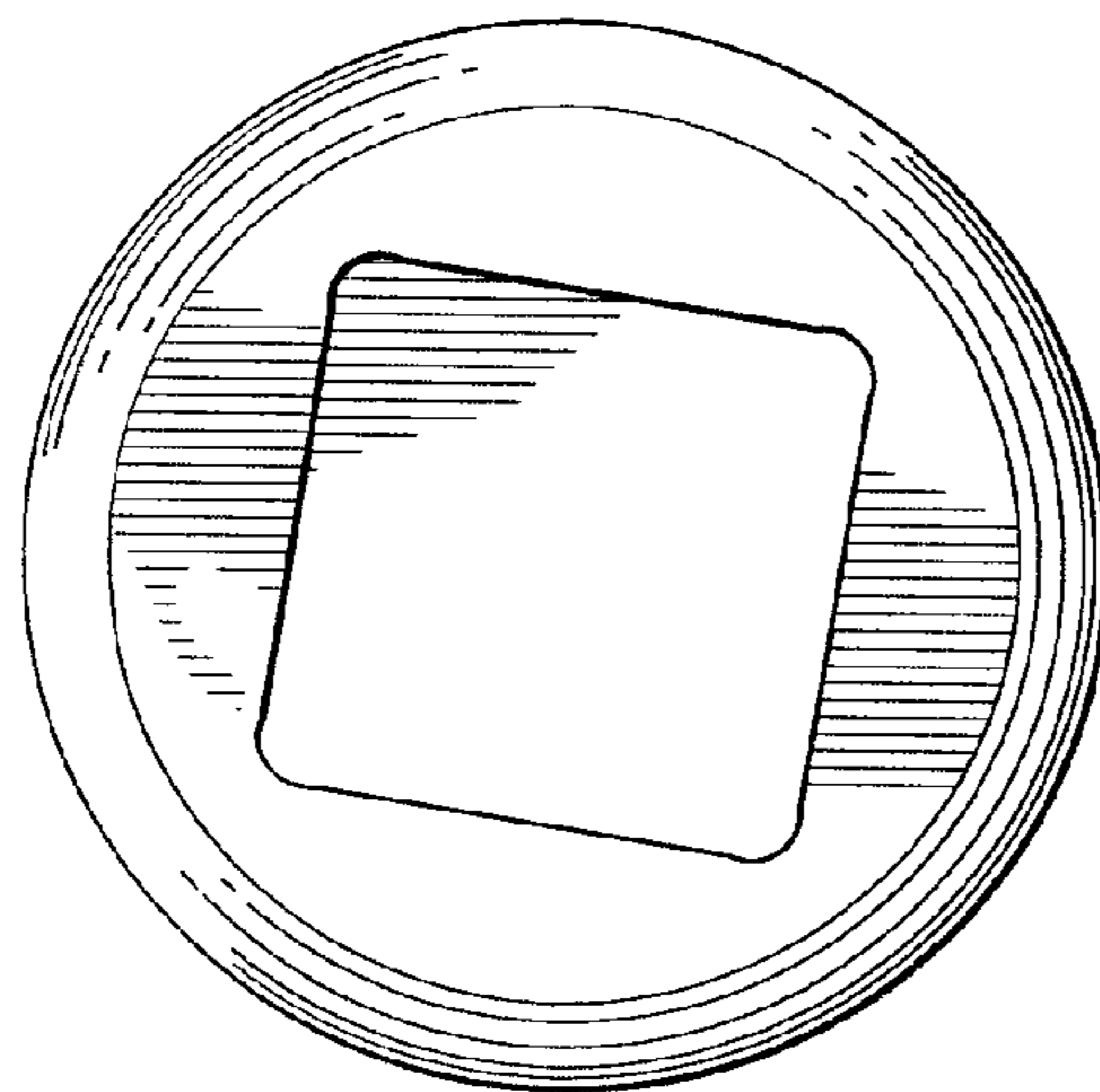
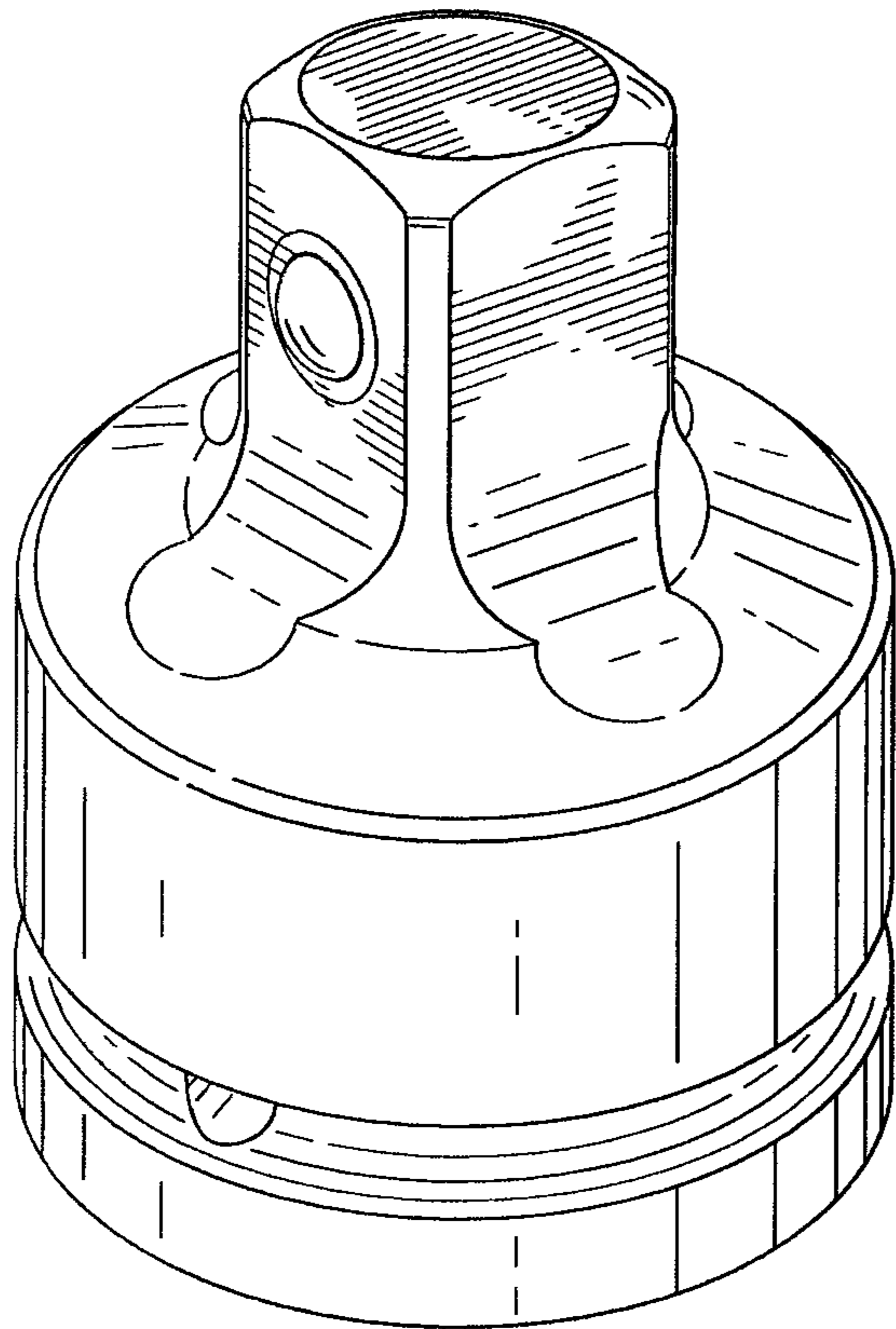
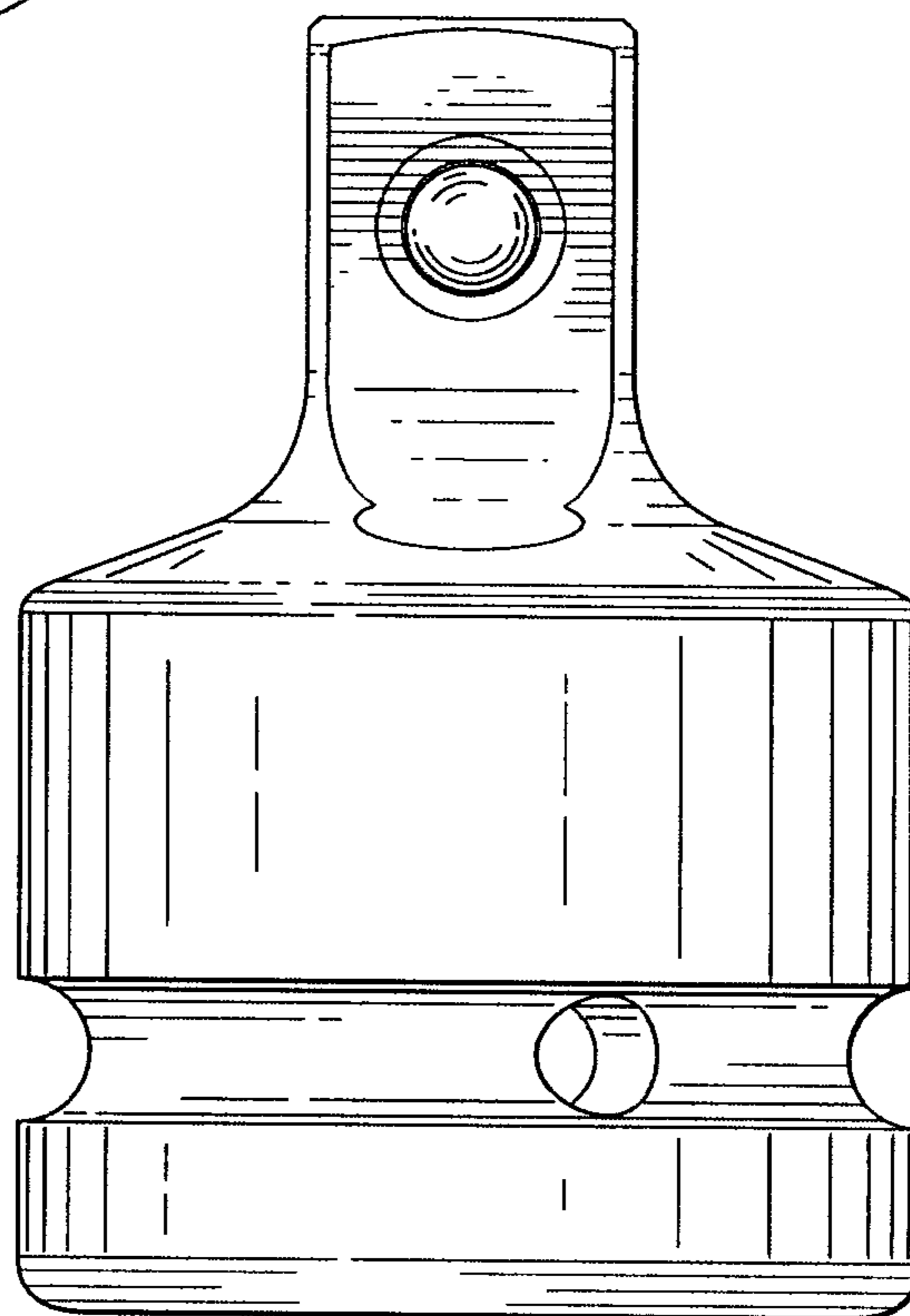


FIG. 7

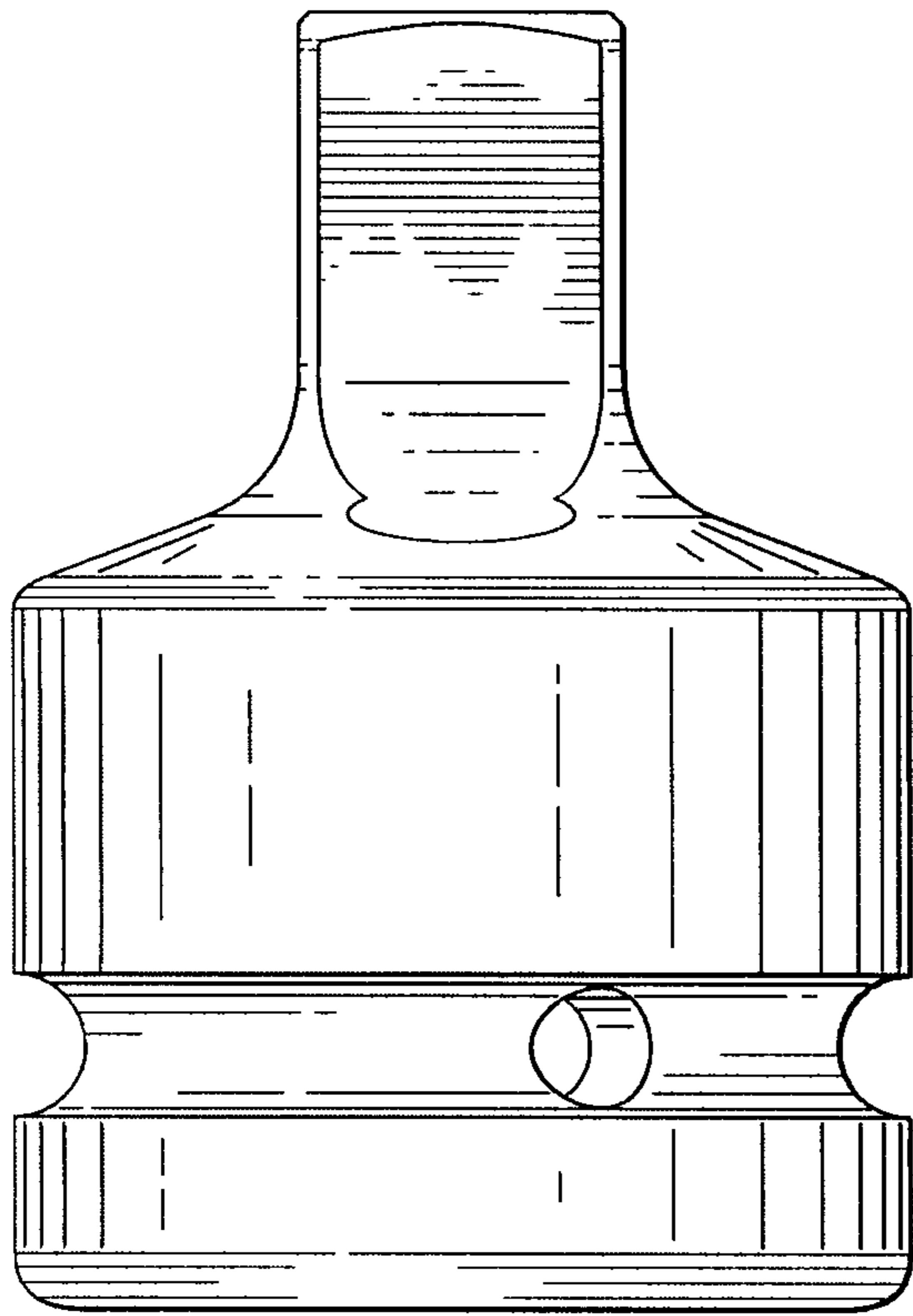




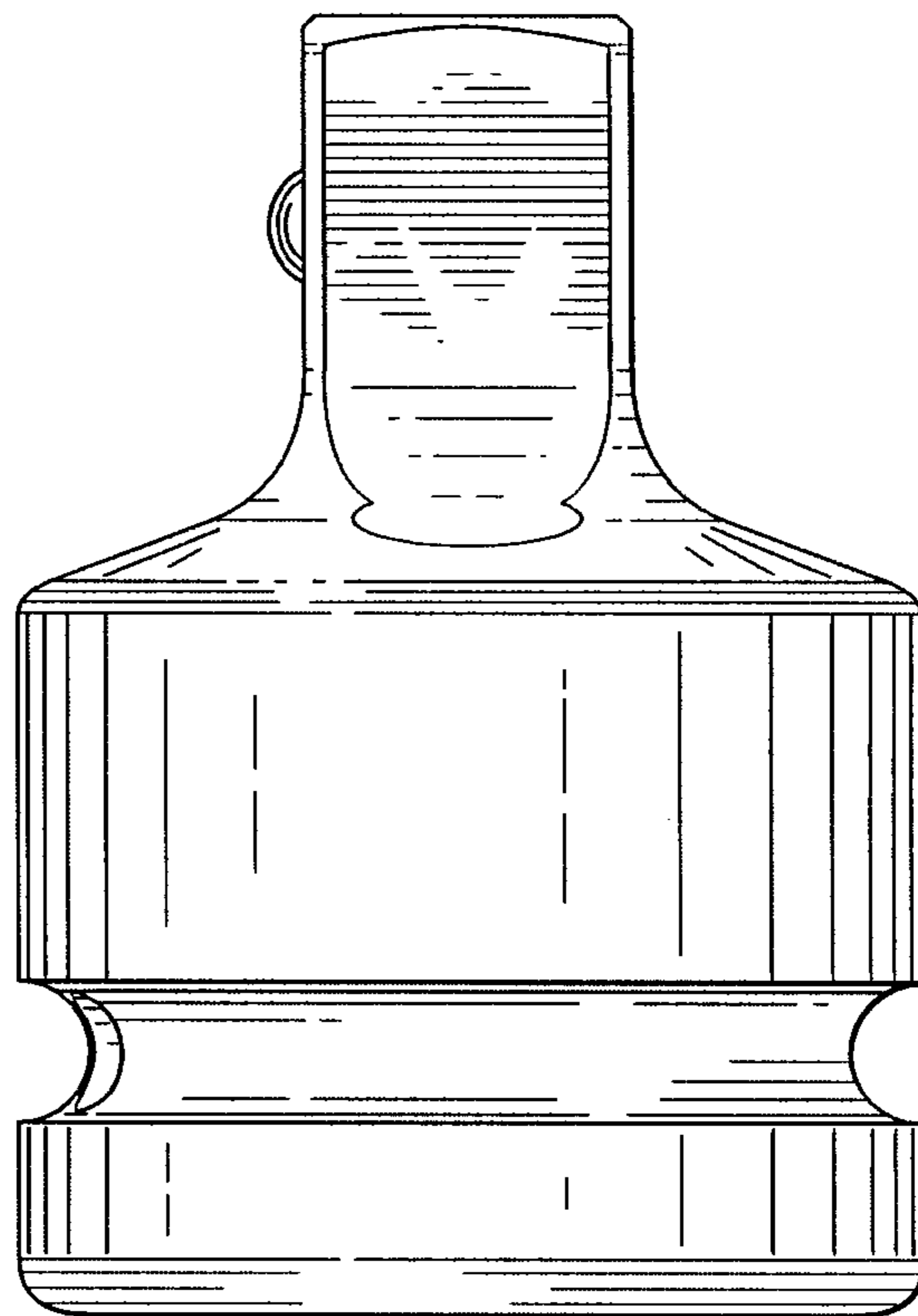
**FIG. 8**



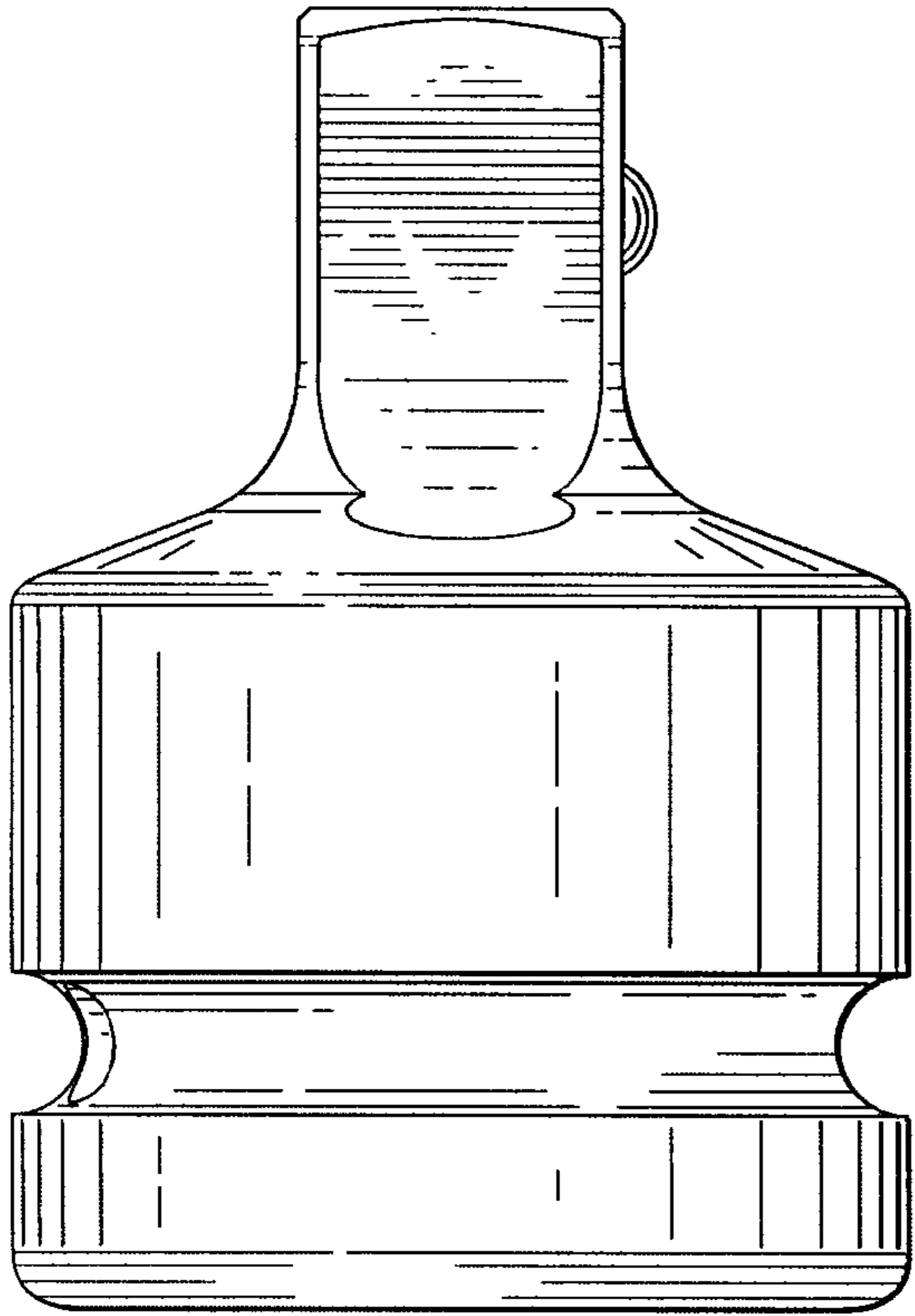
**FIG. 9**



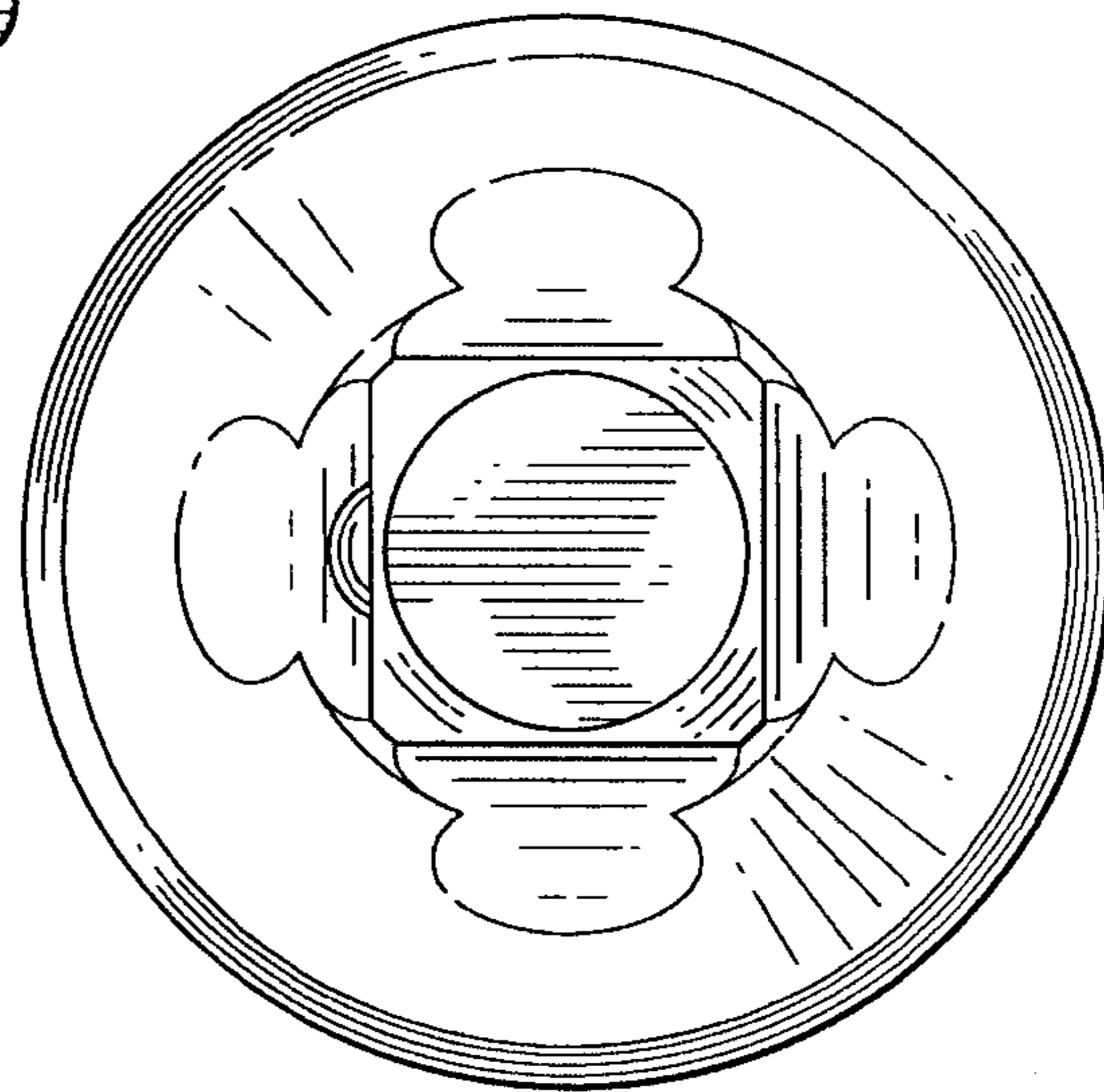
**FIG. 10**



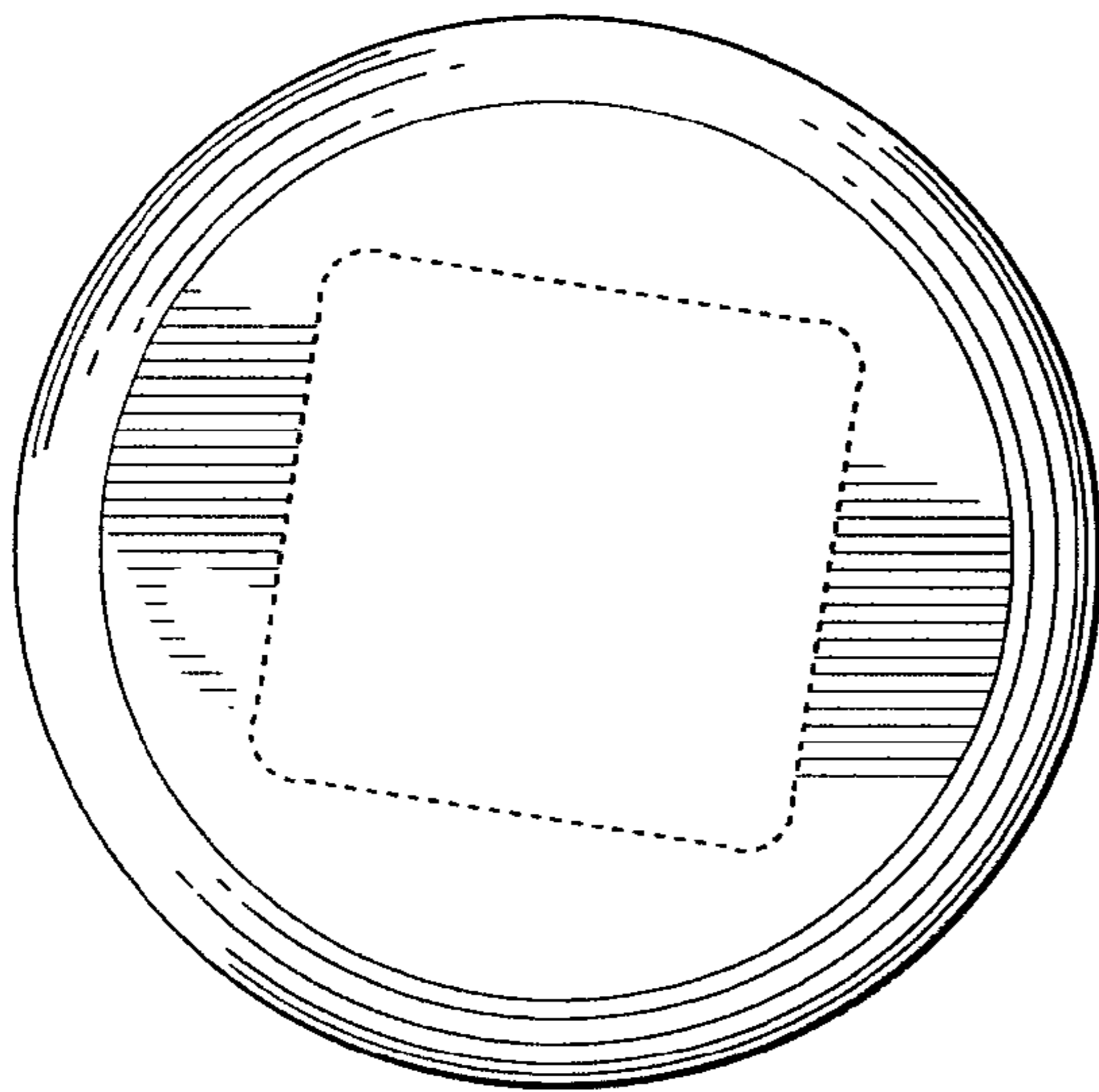
**FIG. 11**



**FIG. 12**



**FIG. 13**



**FIG. 14**