



US00D685234S

(12) **United States Design Patent**
Goodman

(10) **Patent No.:** **US D685,234 S**
(45) **Date of Patent:** **** Jul. 2, 2013**

(54) **NAPKIN/COASTER HOLDER**
(71) Applicant: **Spectrum Diversified Designs, Inc.**,
Streetsboro, OH (US)
(72) Inventor: **Sheldon Goodman**, Solon, OH (US)
(73) Assignee: **Spectrum Diversified Designs, Inc.**,
Streetsboro, OH (US)

(**) Term: **14 Years**
(21) Appl. No.: **29/446,240**

(22) Filed: **Feb. 21, 2013**
(51) **LOC (9) Cl.** **07-06**
(52) **U.S. Cl.**
USPC **D7/632**
(58) **Field of Classification Search**
USPC D7/631-634, 619.1, 704, 600.1-600.4;
D6/677.5, 678.4, 678, 676.5; D19/90, 75,
D19/86; 211/181.1, 85.31, 13.1, 41.1-41.4,
211/11, 126.9, 133.5
See application file for complete search history.

(56) **References Cited**

U.S. PATENT DOCUMENTS

D405,322 S * 2/1999 Goodman et al. D7/631
D416,449 S * 11/1999 Goodman et al. D7/631
D421,062 S * 2/2000 Goodman et al. D19/90
D436,463 S * 1/2001 Goodman et al. D6/462
D456,177 S * 4/2002 Walker D6/462

D479,100 S * 9/2003 Ancona D7/631
D479,101 S * 9/2003 Ancona D7/631
D479,443 S * 9/2003 Ancona D7/631
D484,008 S * 12/2003 Goodman et al. D7/631
D519,000 S * 4/2006 Goodman et al. D7/631
D594,286 S * 6/2009 Goodman et al. D7/631

* cited by examiner

Primary Examiner — Terry H. Wallace

(74) *Attorney, Agent, or Firm* — Pearne & Gordon LLP

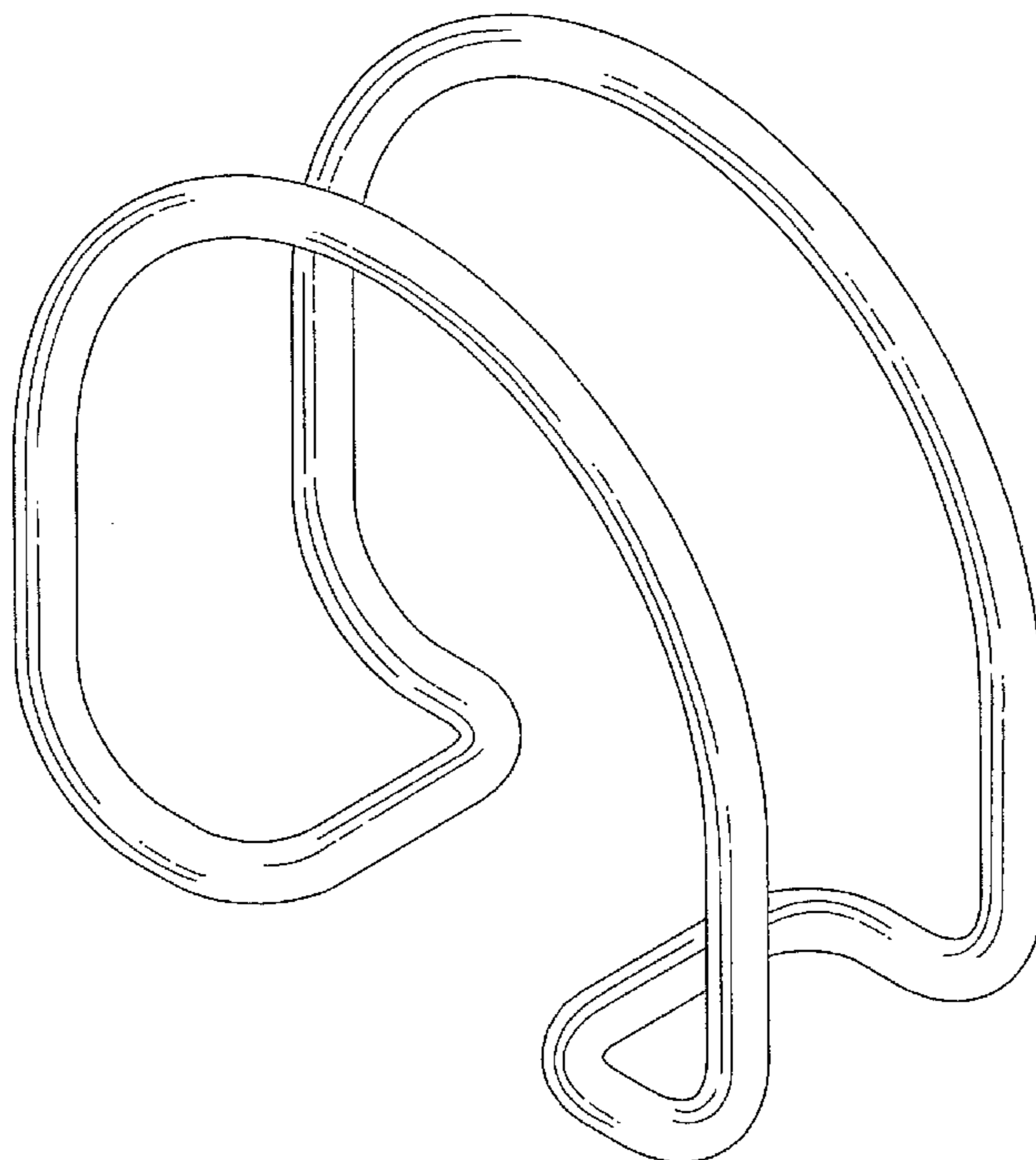
(57) **CLAIM**

The ornamental design for a napkin/coaster holder, as shown and described.

DESCRIPTION

FIG. 1 is a perspective view of a first embodiment of a napkin/coaster holder, showing my new design;
FIG. 2 is a front view, the back view being a mirror image thereof;
FIG. 3 is a left side view, the right side view being a mirror image thereof;
FIG. 4 is a bottom view thereof;
FIG. 5 is top view thereof;
FIG. 6 is a front-right perspective view of a second embodiment of a napkin/coaster holder according to the invention;
FIG. 7 is a front view, the back view being a mirror image thereof;
FIG. 8 is a left side view, the right side view being a mirror image thereof;
FIG. 9 is a top view thereof; and,
FIG. 10 is a bottom view thereof.

1 Claim, 4 Drawing Sheets



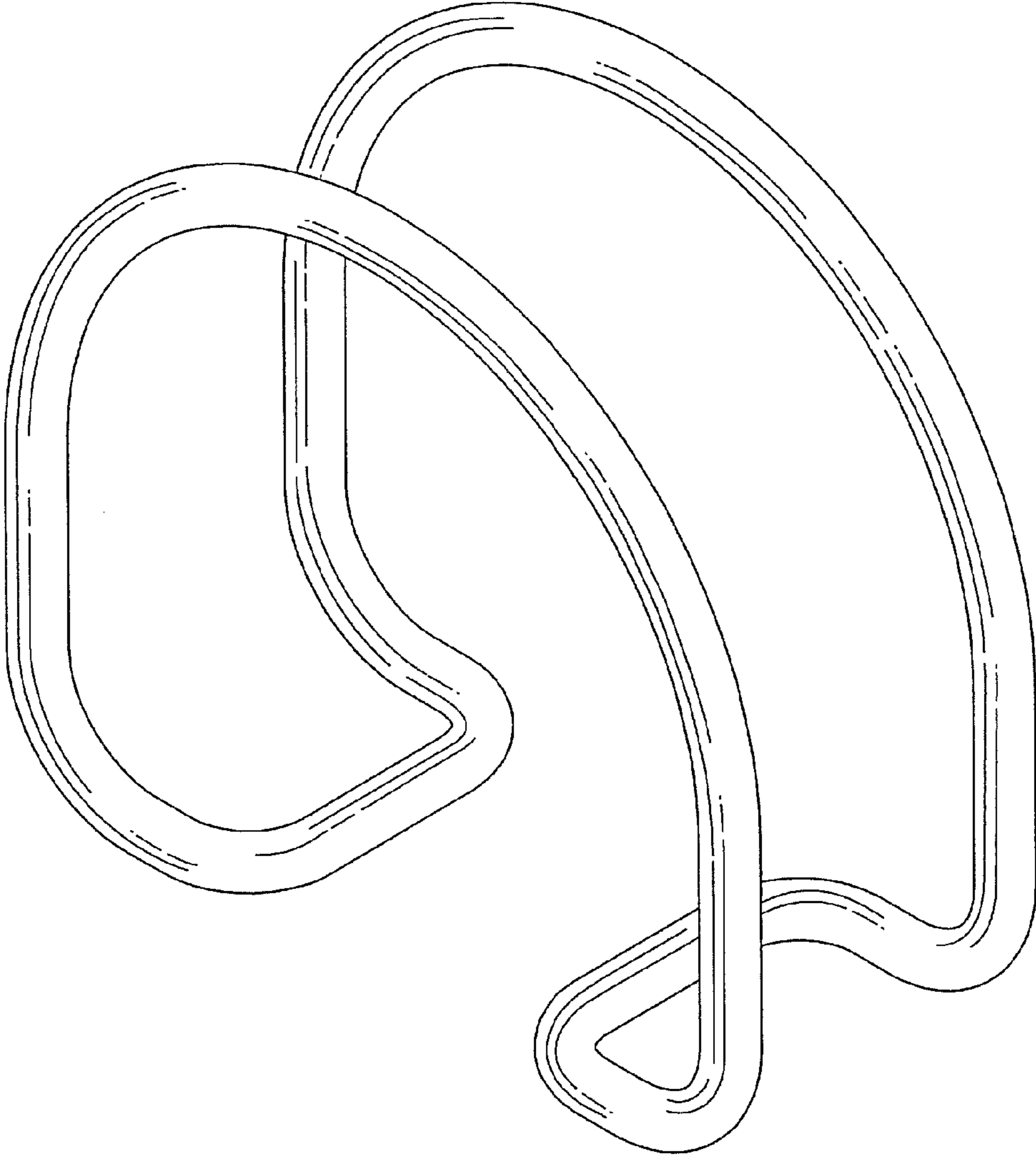


FIG 1

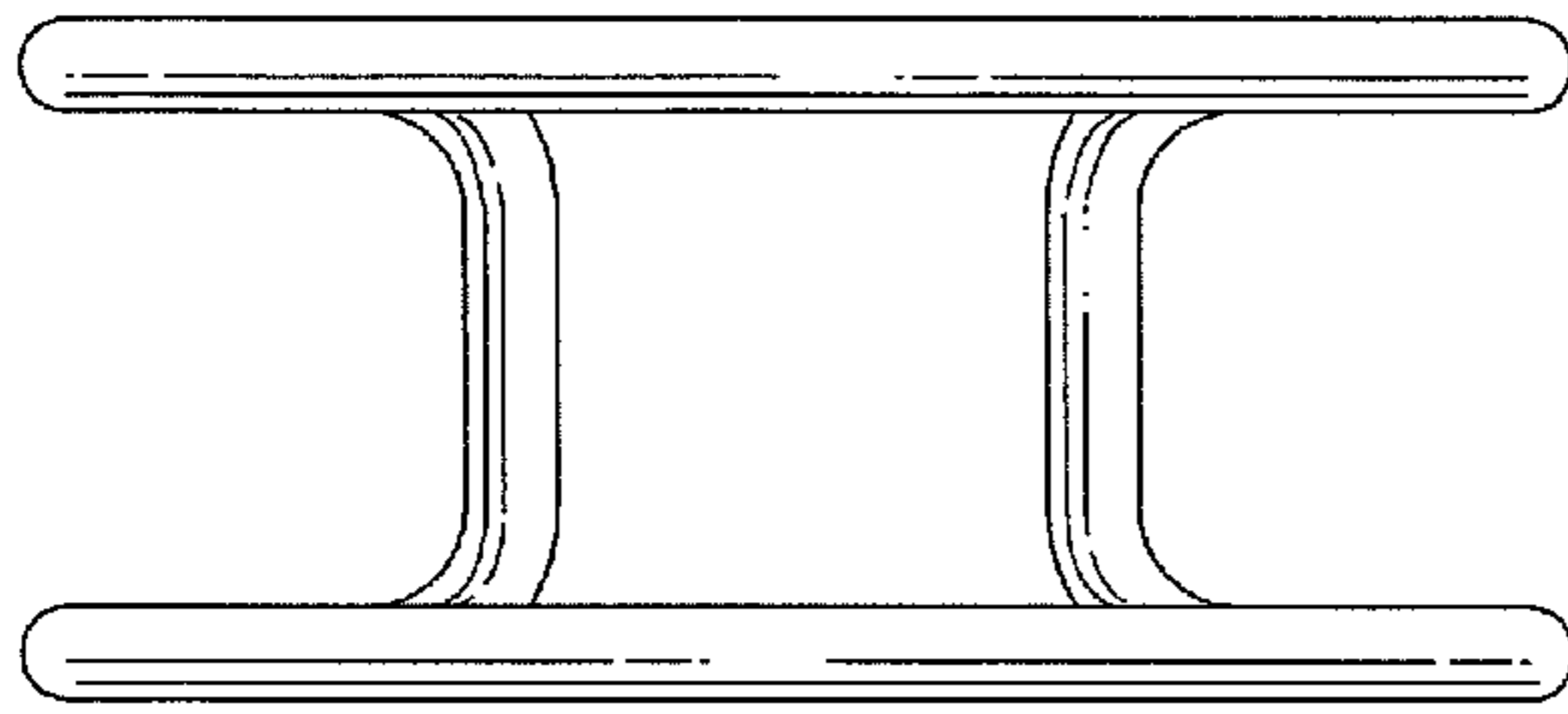


FIG 5

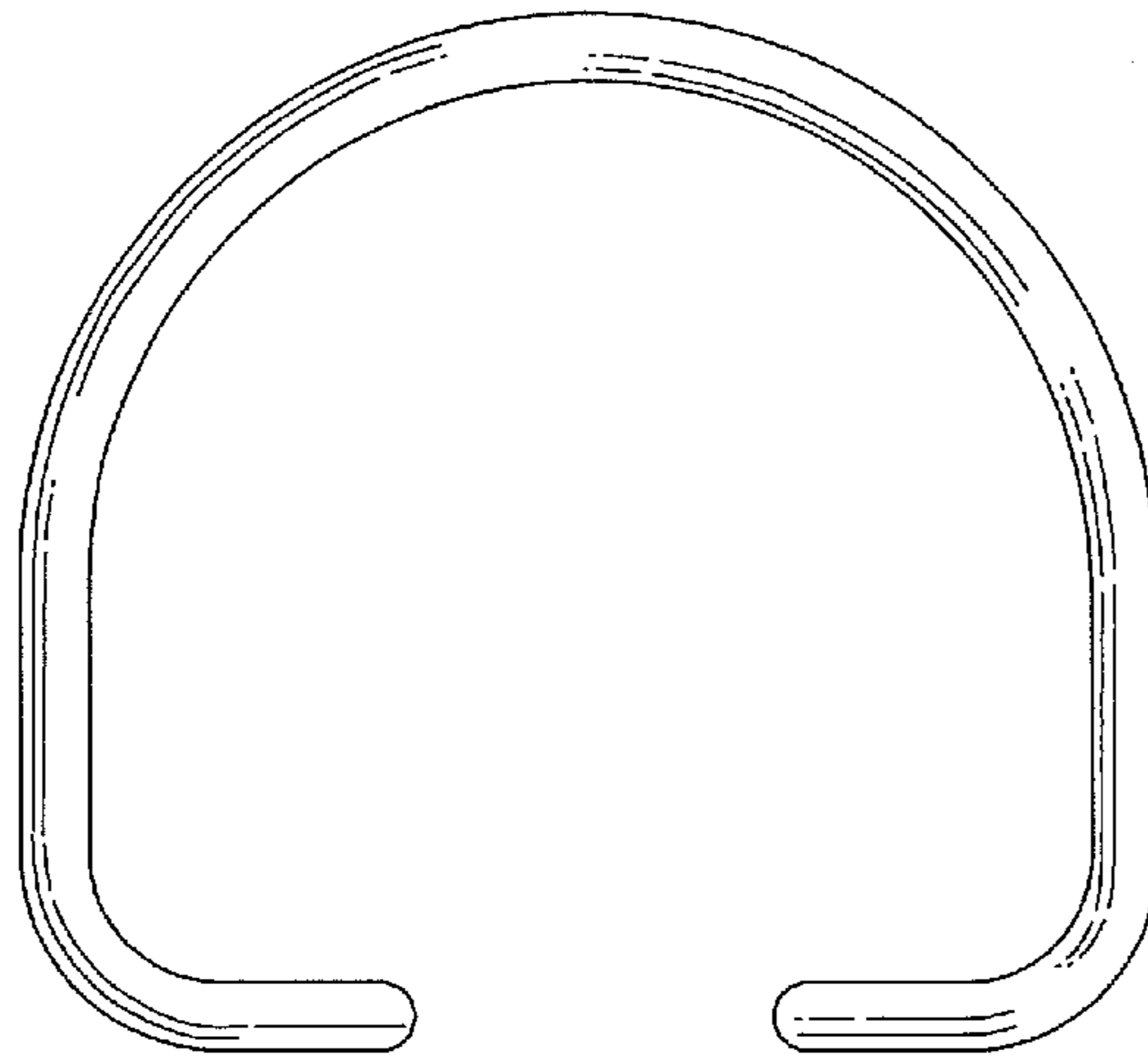


FIG 2

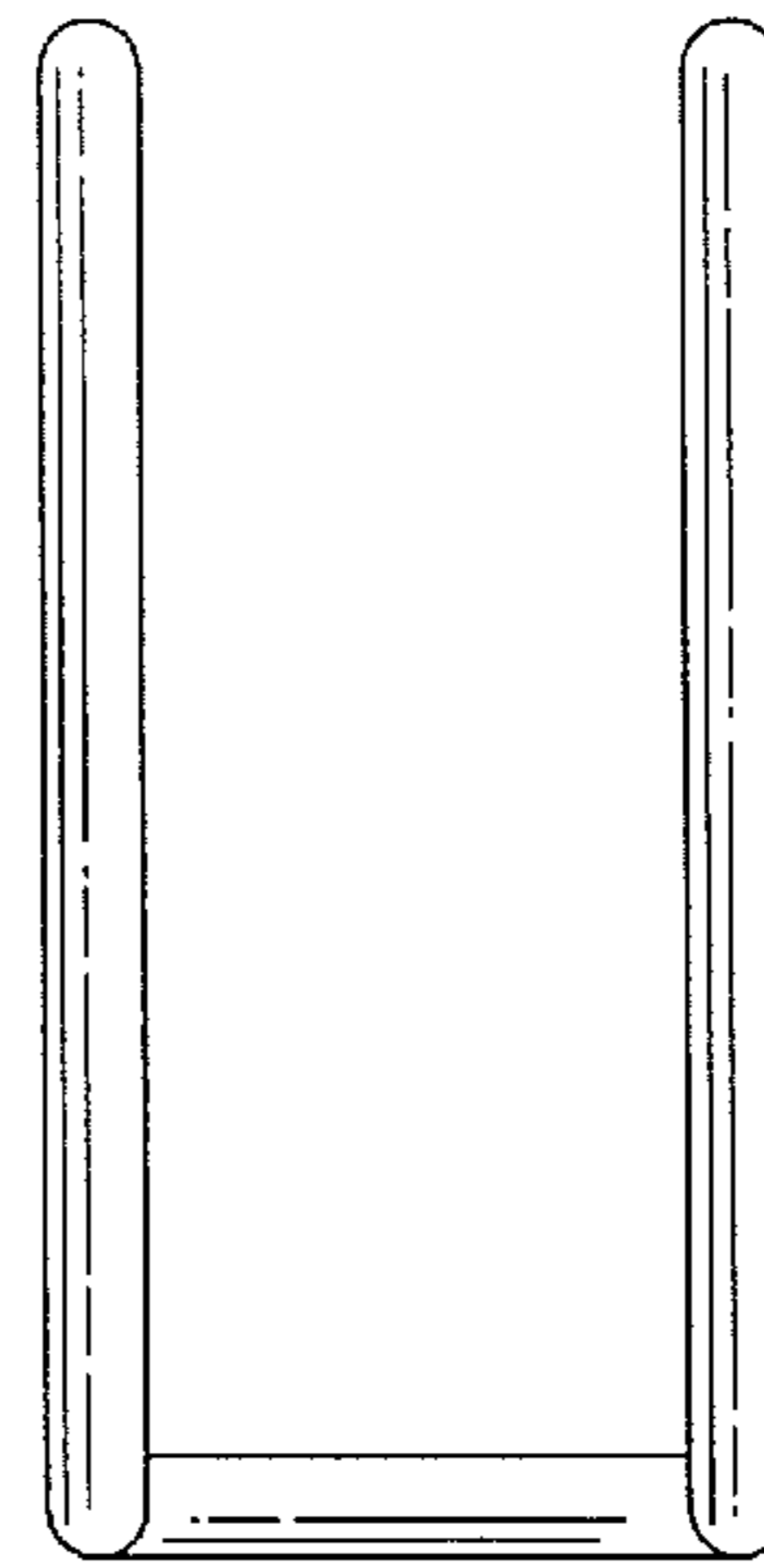


FIG 3

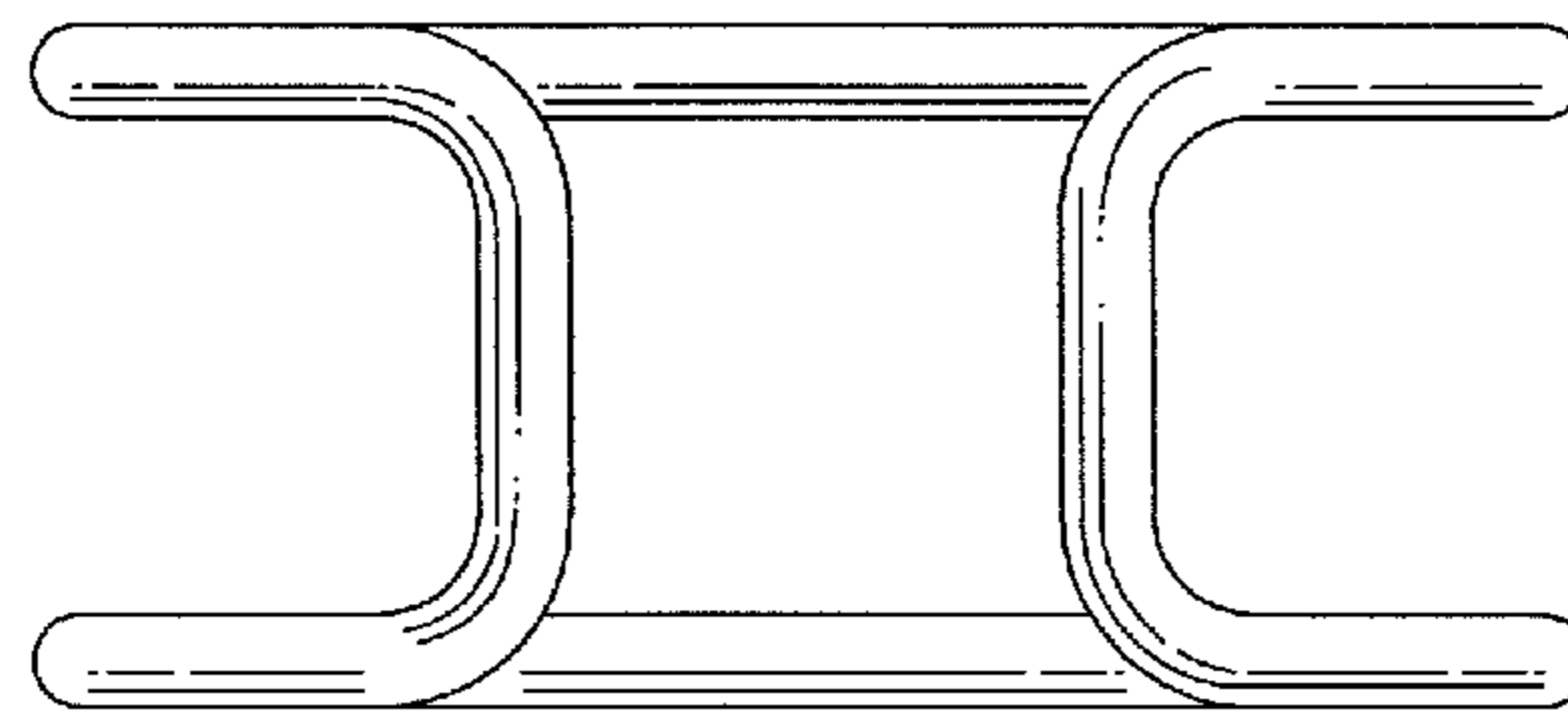


FIG 4

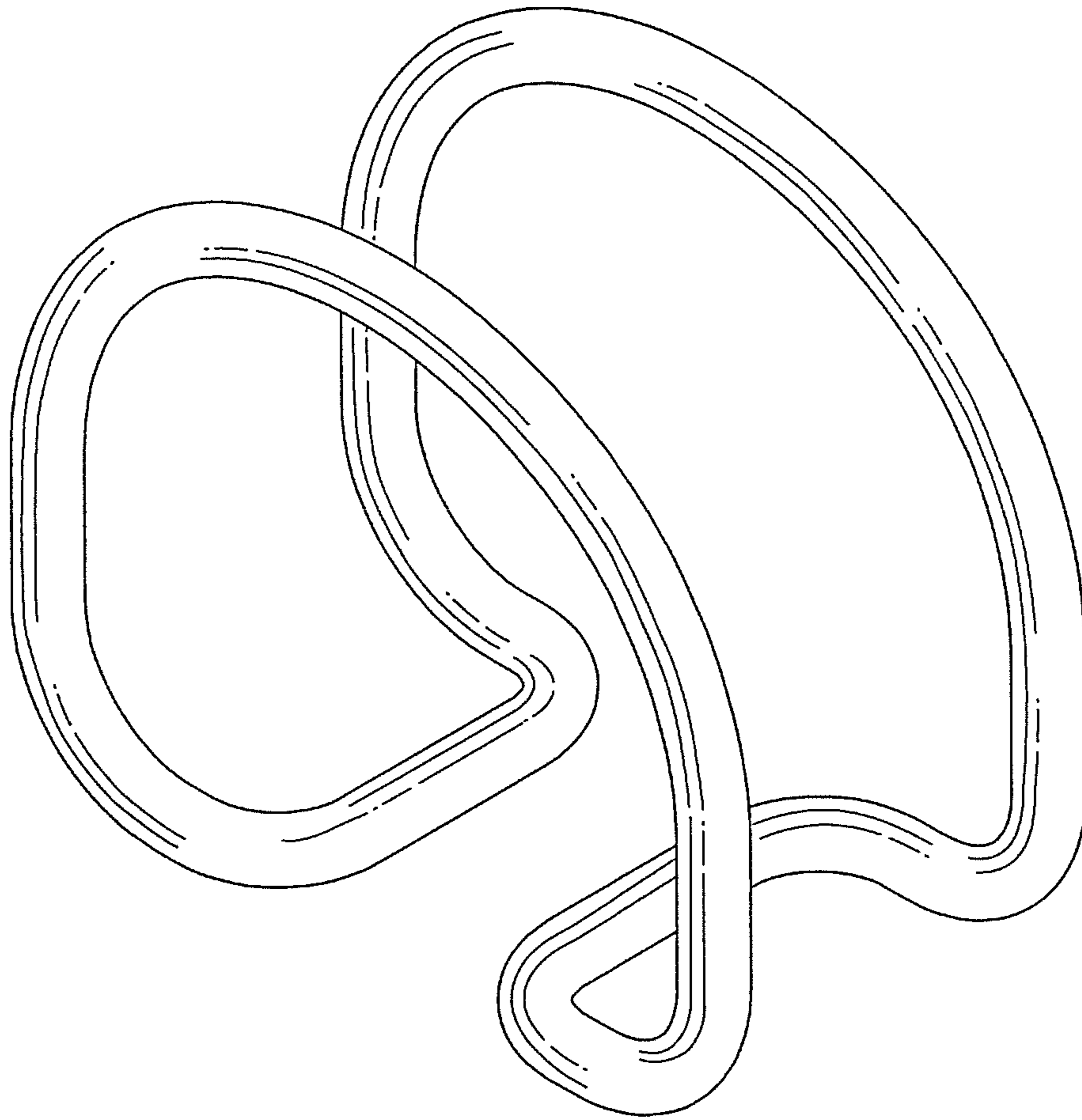


FIG 6

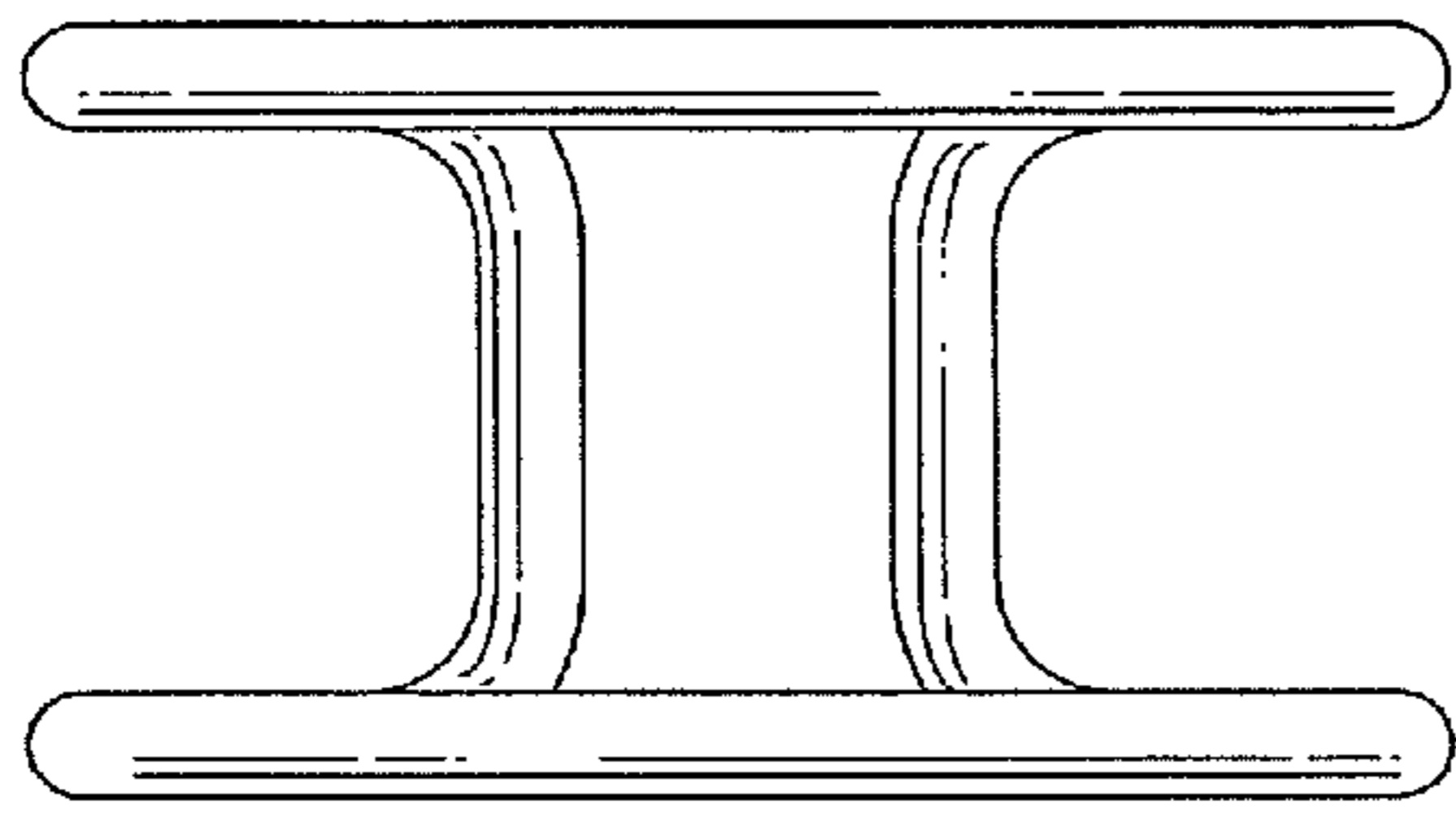


FIG 9

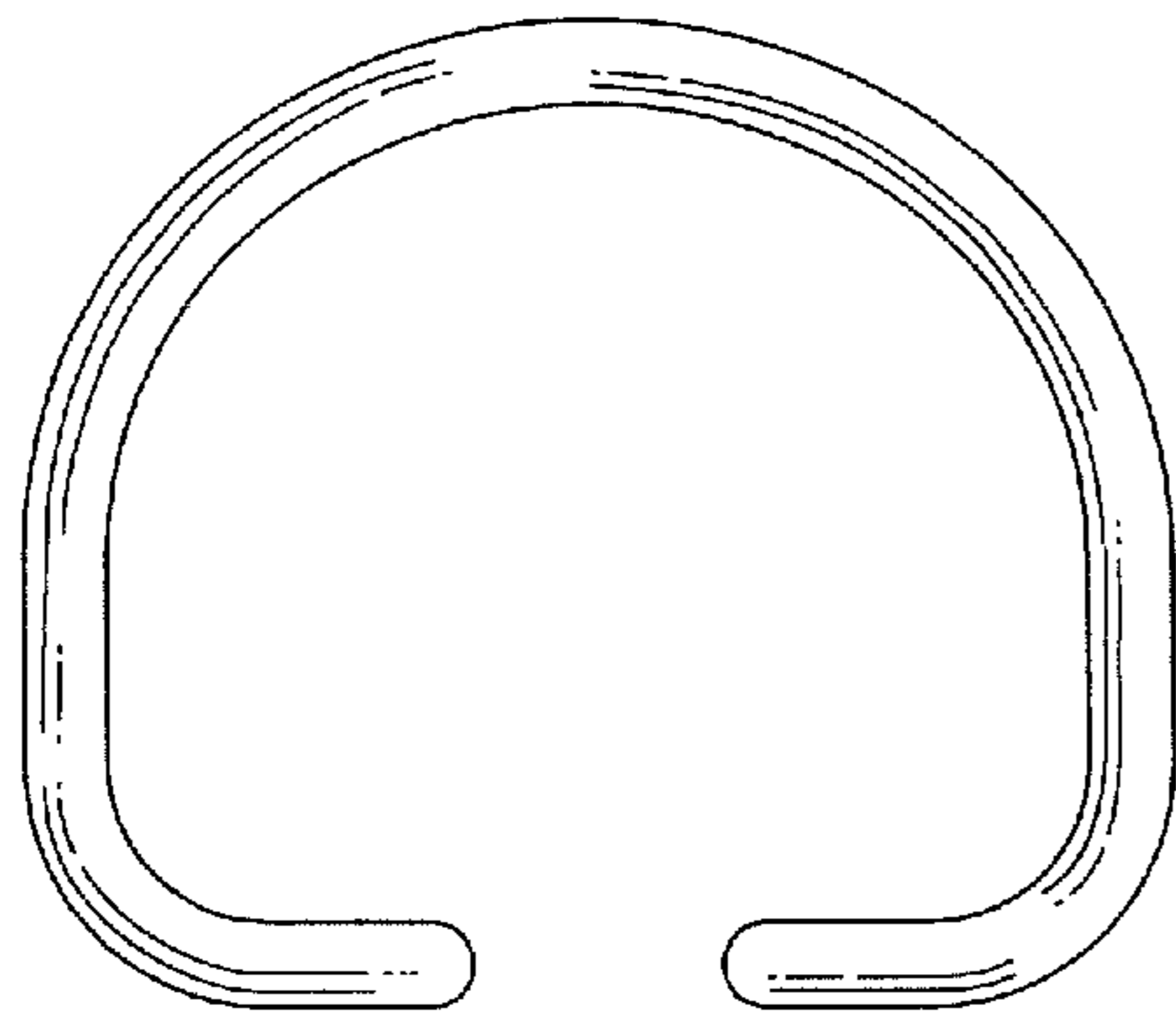


FIG 7

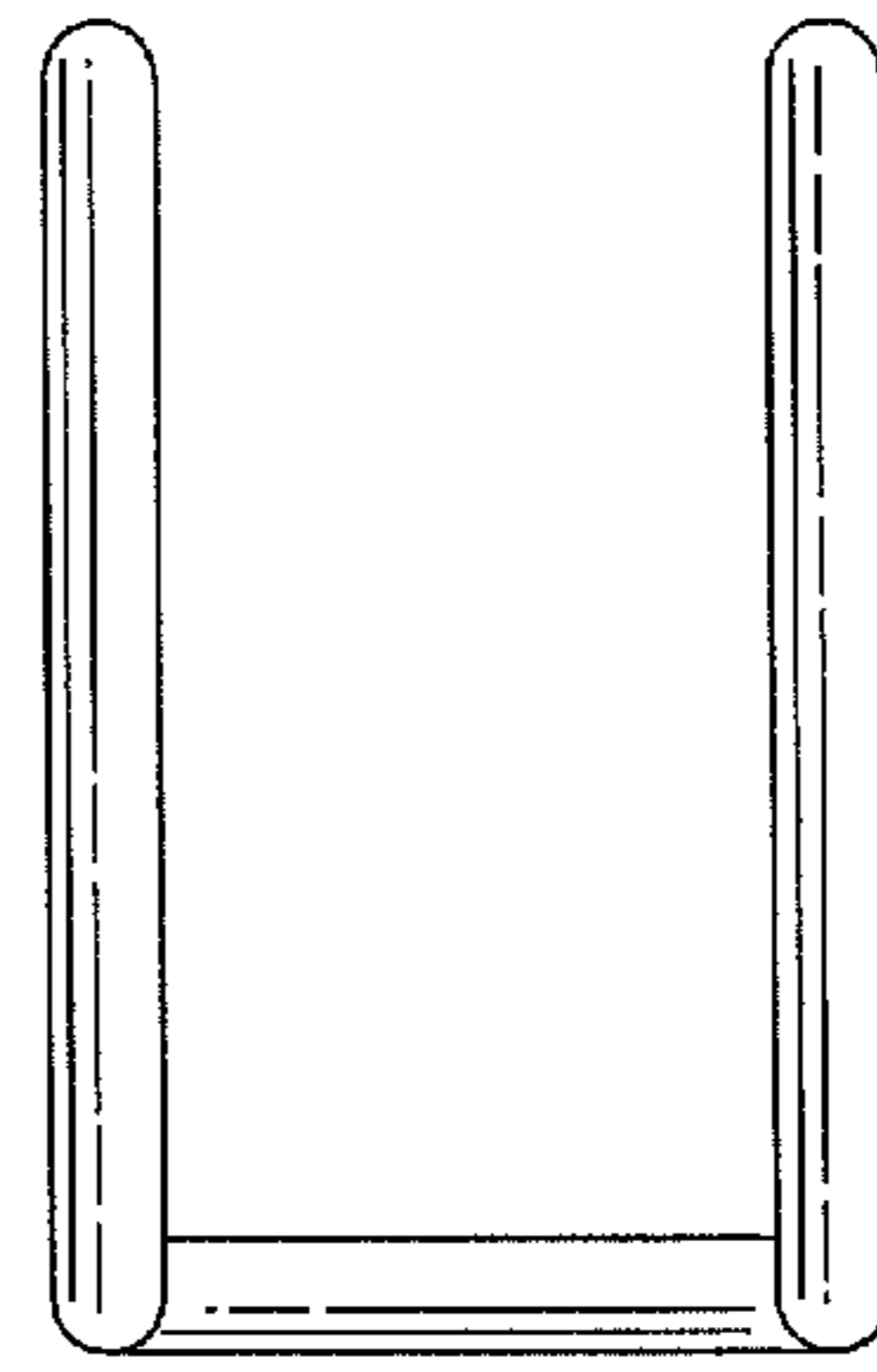


FIG 8

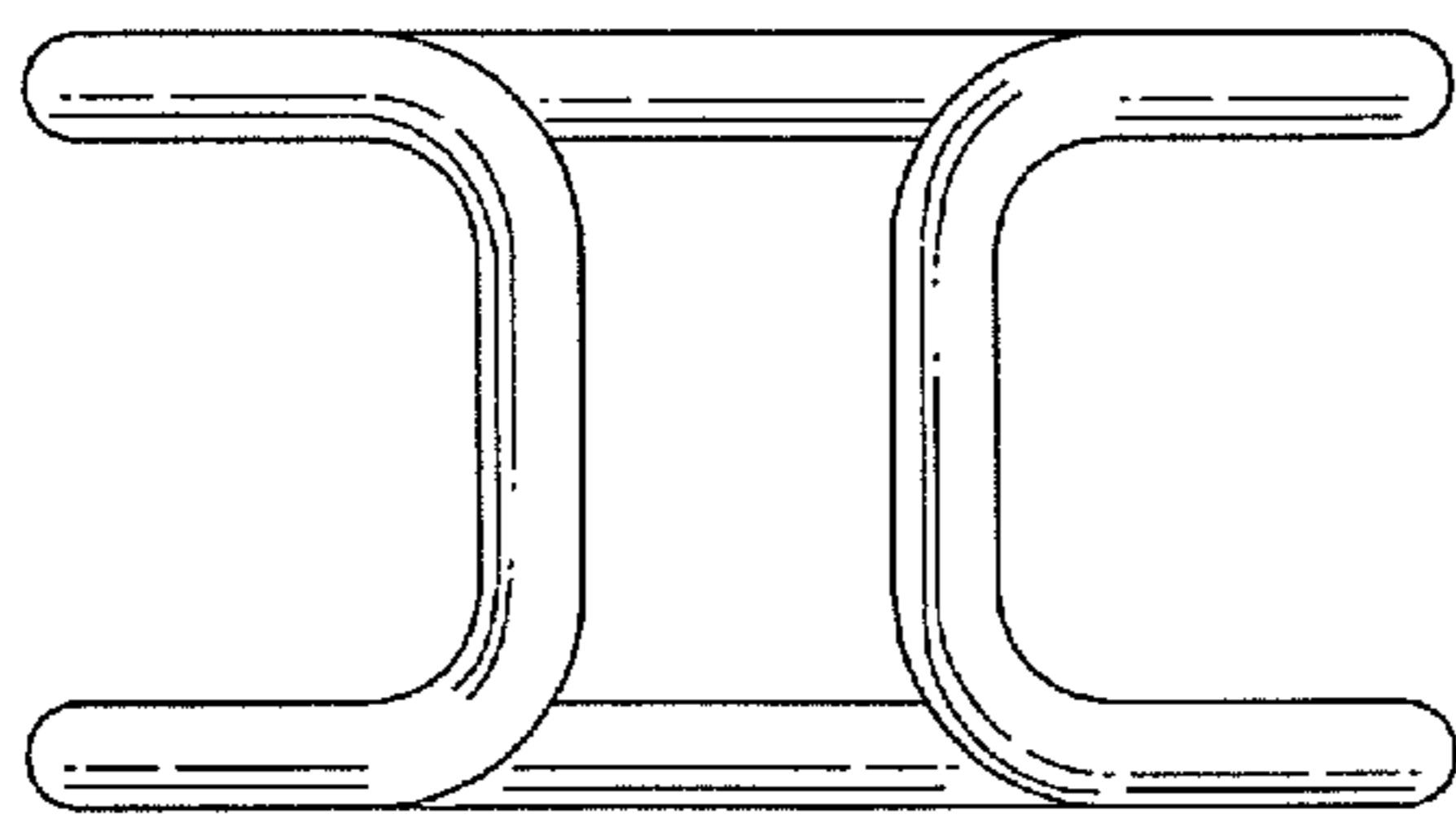


FIG 10