



US00D685232S

(12) **United States Design Patent**
Lane

(10) **Patent No.:** **US D685,232 S**

(45) **Date of Patent:** **** Jul. 2, 2013**

- (54) **FOOD STORAGE JAR WITH LID**
- (75) Inventor: **Marvin Lane**, Round Lake Beach, IL (US)
- (73) Assignee: **Thermos L.L.C.**, Schaumburg, IL (US)
- (**) Term: **14 Years**
- (21) Appl. No.: **29/416,486**
- (22) Filed: **Mar. 22, 2012**
- (51) **LOC (9) Cl.** **07-07**
- (52) **U.S. Cl.**
USPC **D7/629; D7/605**
- (58) **Field of Classification Search**
USPC D7/605-608, 629, 630, 602; D9/500, D9/502-504, 516, 529, 549, 552, 556, 558, D9/686, 688, 690, 692; 220/592.16, 592.17, 220/592.23, 592.27, 592.22, 660, 662, 665, 220/669-673, 675, 677, 780-806; 62/457.1-457.9, 371, 372; 215/379, 381, 215/382, 12.1, 12.2, 13.1, 6
See application file for complete search history.

D587,534 S	3/2009	Carreno	
D593,372 S	6/2009	Carreno	
D593,811 S *	6/2009	Carreno D7/629
D600,973 S	9/2009	Lane	
D608,148 S	1/2010	Lane	
D620,753 S	8/2010	Lane	
D622,554 S *	8/2010	Carreno D7/629
D629,657 S *	12/2010	Carreno D7/629
D643,694 S	8/2011	Lu	

* cited by examiner

Primary Examiner — Terry Wallace

(74) *Attorney, Agent, or Firm* — Schiff Hardin LLP

(57) **CLAIM**

The ornamental design of the food storage jar with lid, as shown and described.

DESCRIPTION

FIG. 1 is a perspective view taken from the upper, front, right-hand side of the food storage jar with lid of the present invention;

FIG. 2 is a perspective view taken from the lower, back, left-hand side of the food storage jar with lid of FIG. 1;

FIG. 3 is a side elevational view of the left side of the food storage jar with lid of FIG. 1;

FIG. 4 is a front elevational view of the food storage jar with lid of FIG. 1;

FIG. 5 is a side elevational view of the right side of the food storage jar with lid of FIG. 1;

FIG. 6 is a rear elevational view of the food storage jar with lid of FIG. 1;

FIG. 7 is a top plan view of the food storage jar with lid of FIG. 1; and,

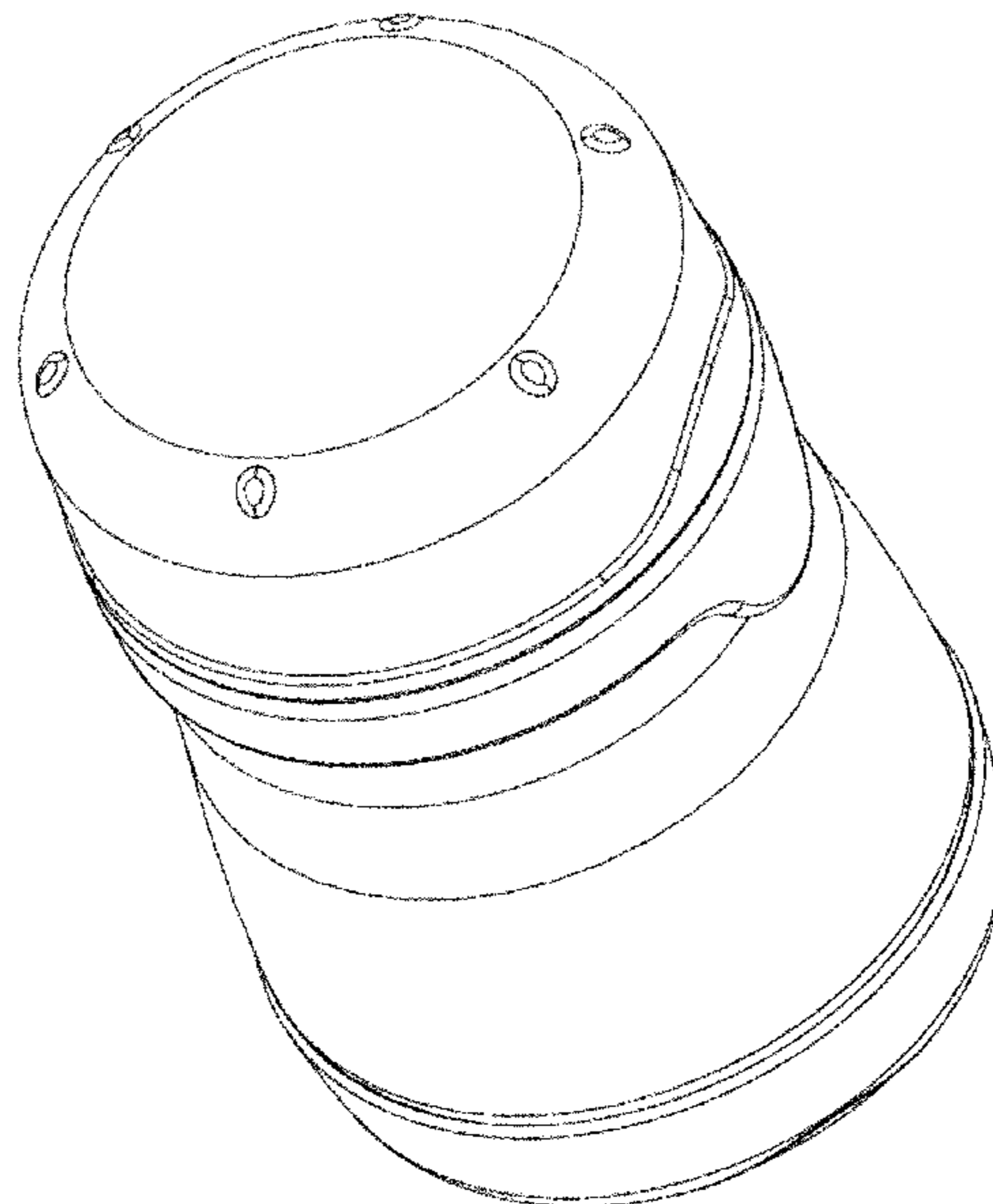
FIG. 8 is a bottom plan view of the food storage jar with lid of FIG. 1.

1 Claim, 8 Drawing Sheets

(56) **References Cited**

U.S. PATENT DOCUMENTS

3,982,651 A *	9/1976	Braun et al.	220/4.21
4,399,926 A *	8/1983	Eidels-Dubovoy	220/288
4,474,303 A *	10/1984	Maccise	220/4.27
4,537,044 A *	8/1985	Putnam	62/371
D376,075 S *	12/1996	Morales Segura	D7/709
D405,654 S	2/1999	Moran		
D467,811 S *	12/2002	Slater et al.	D9/529
D474,651 S *	5/2003	Ward	D7/615
D557,076 S *	12/2007	Wahl	D7/629
D557,994 S	12/2007	Wahl		
D559,622 S	1/2008	Carreno		
D559,624 S	1/2008	Carreno		



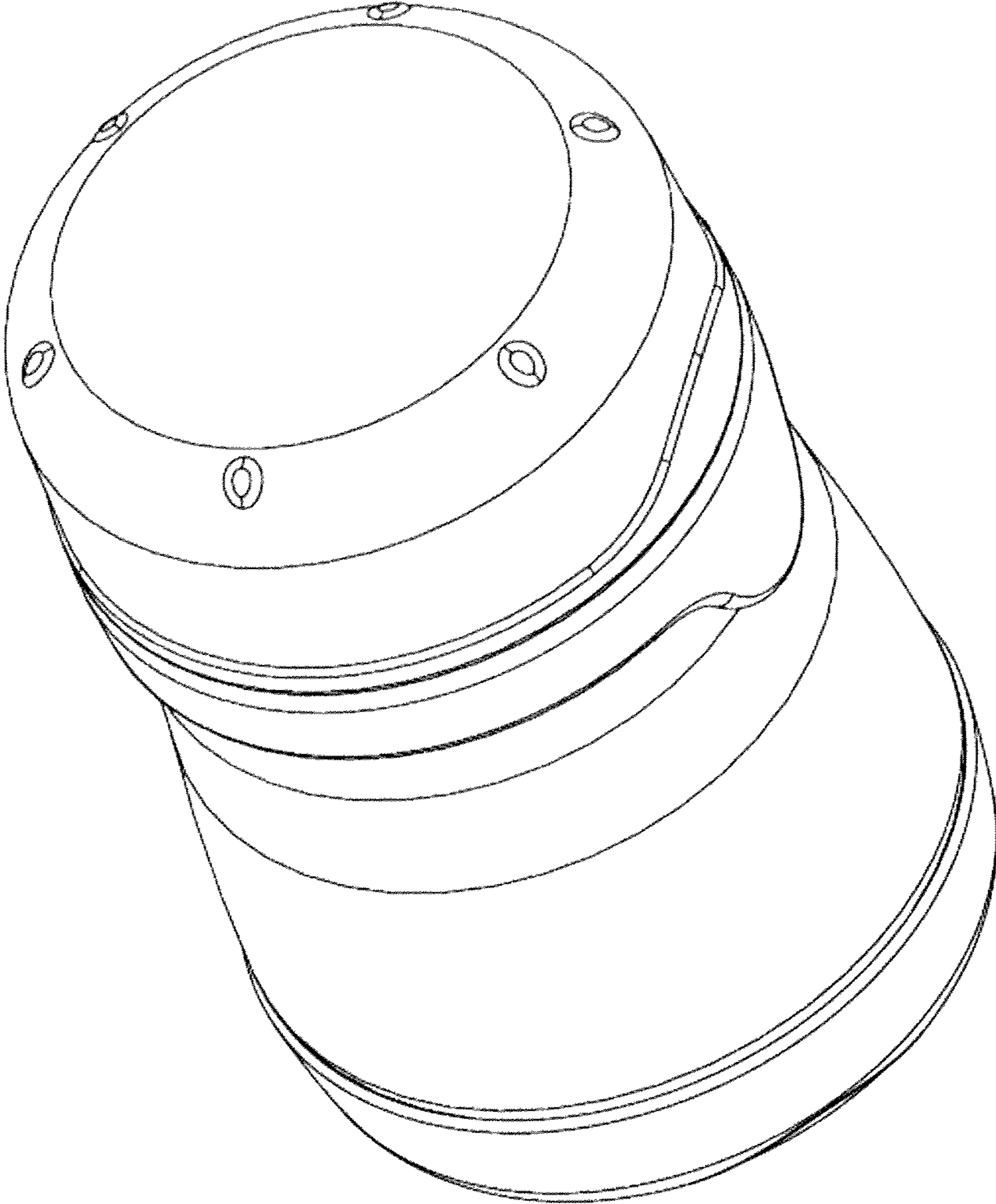


Figure 1

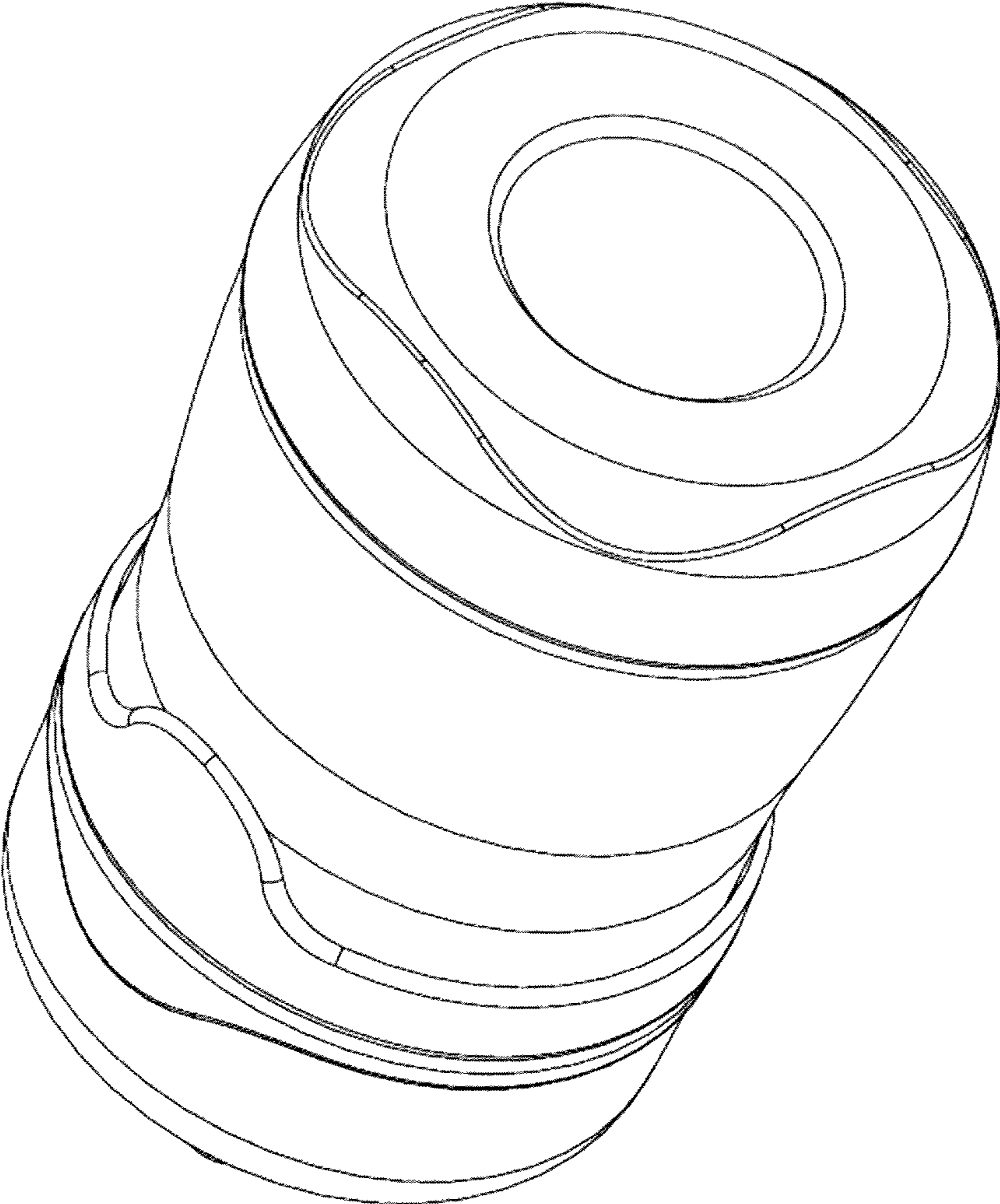


Figure 2

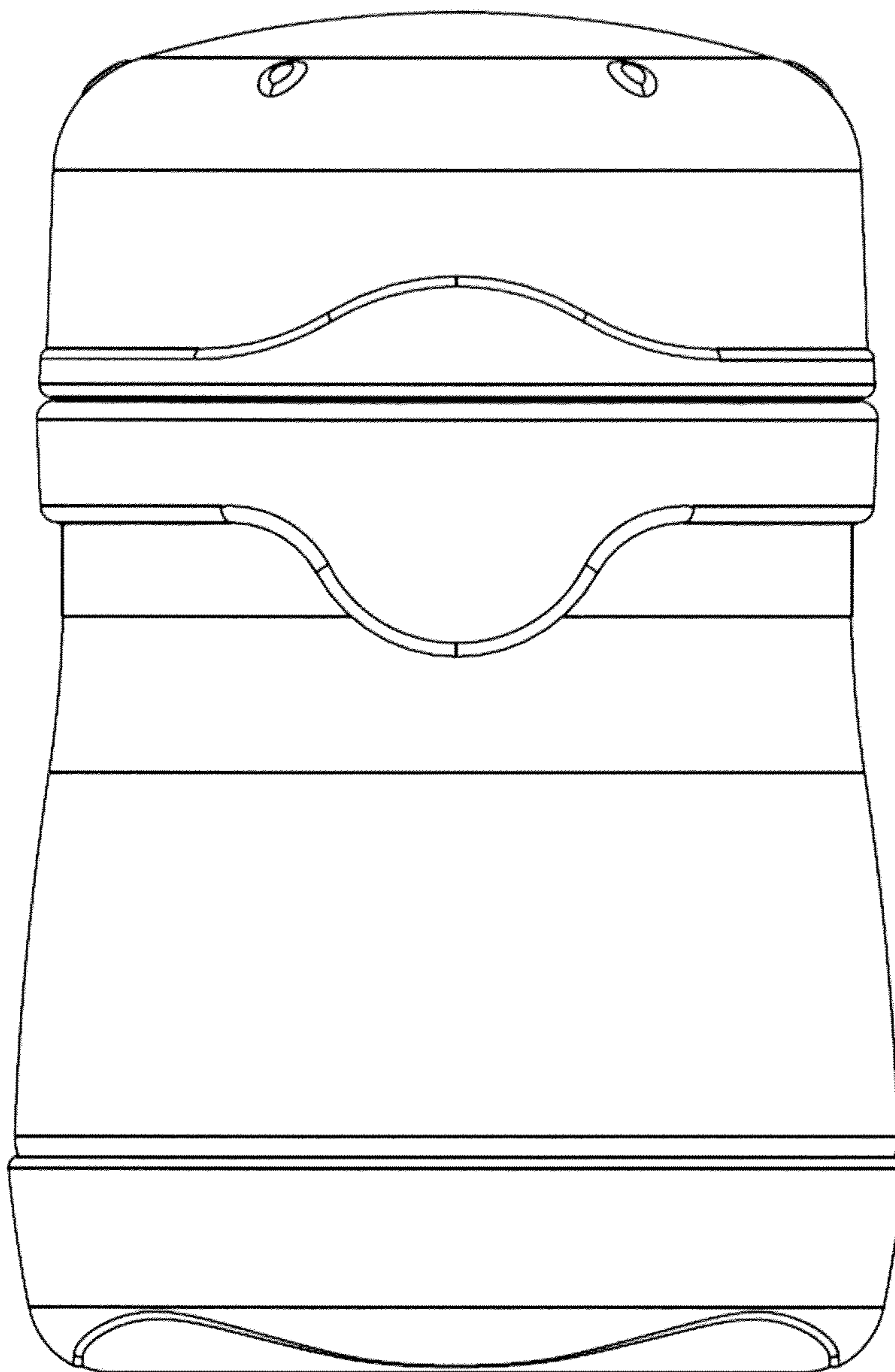


Figure 3

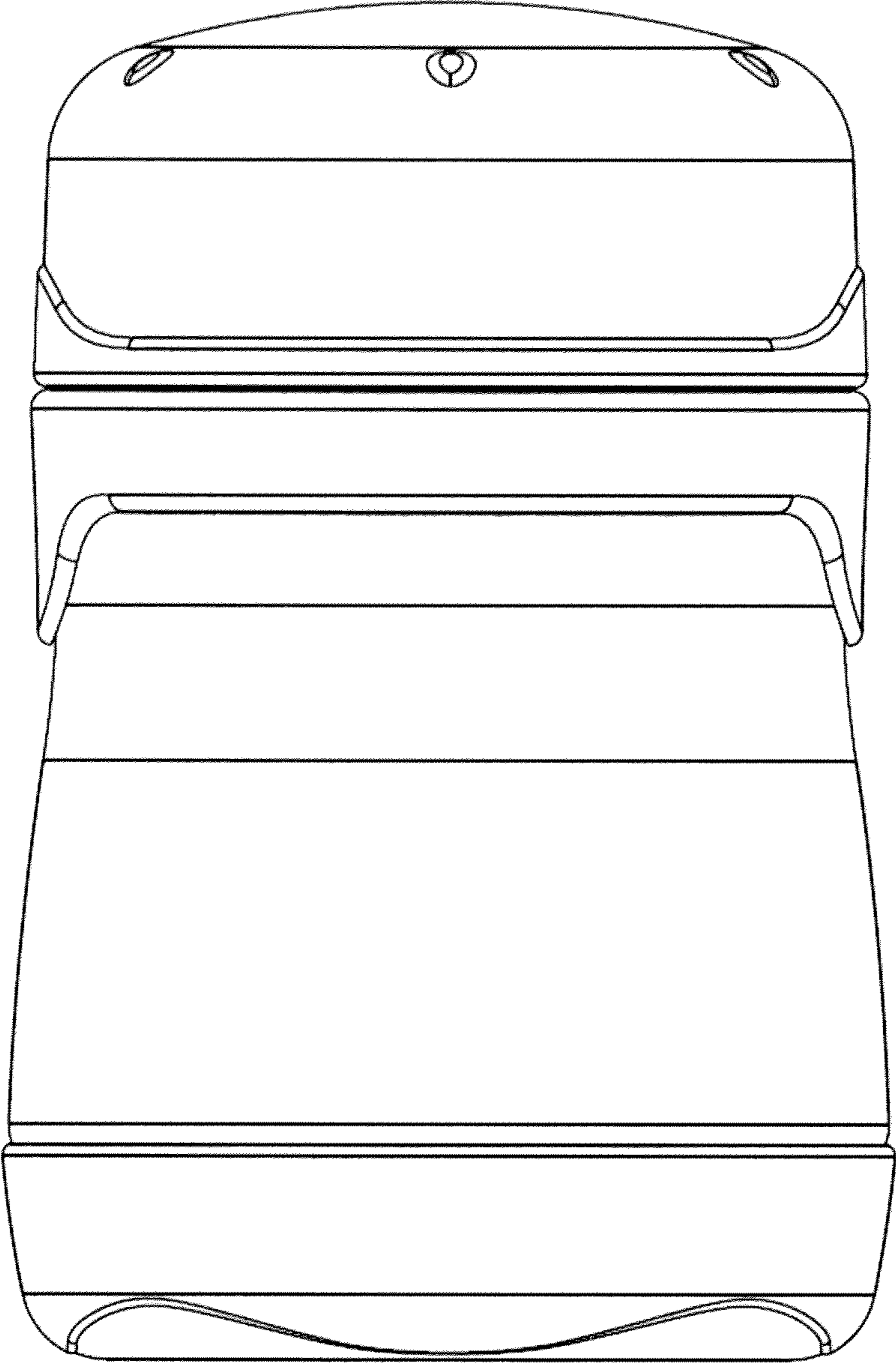


Figure 4

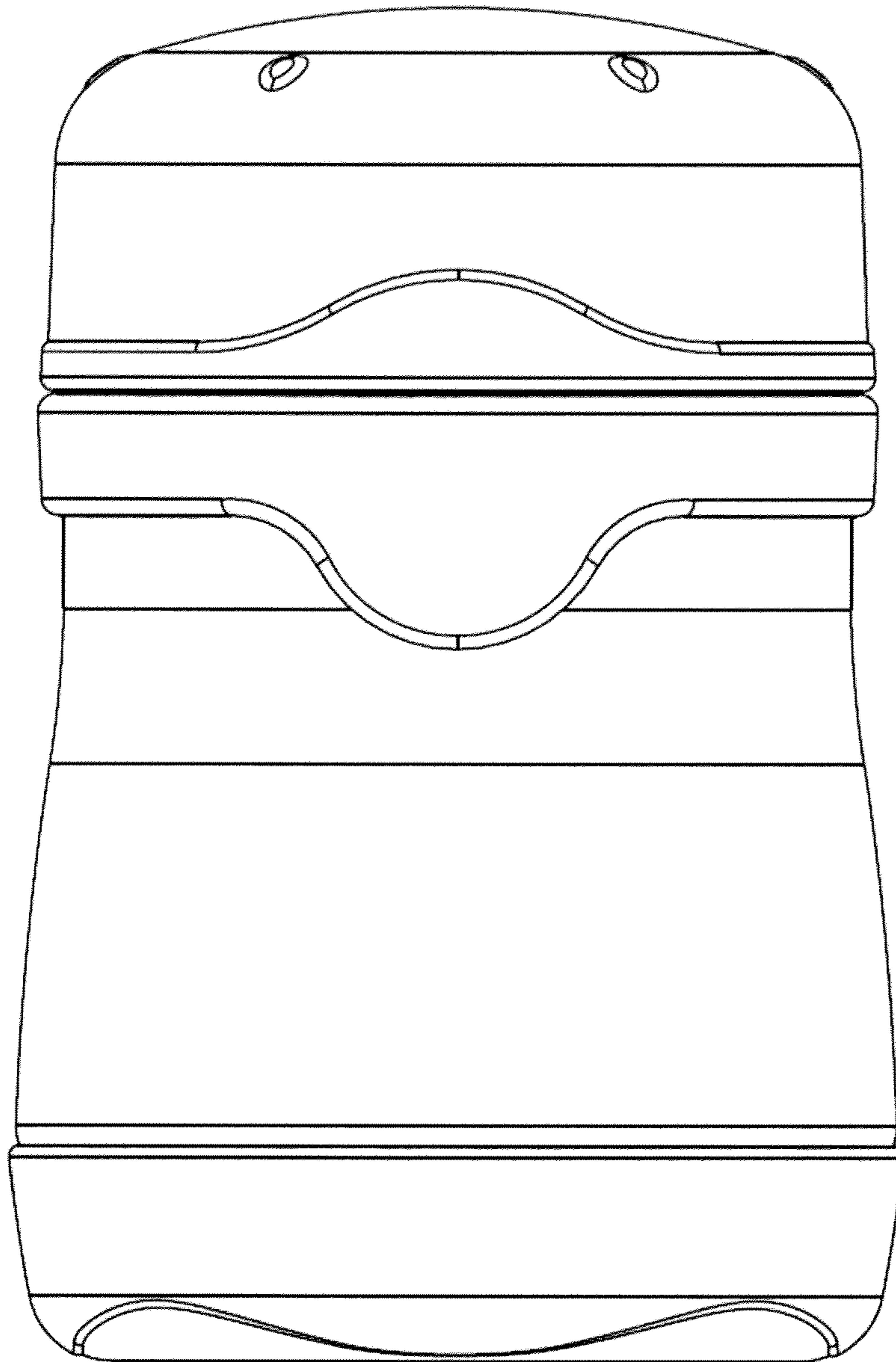


Figure 5

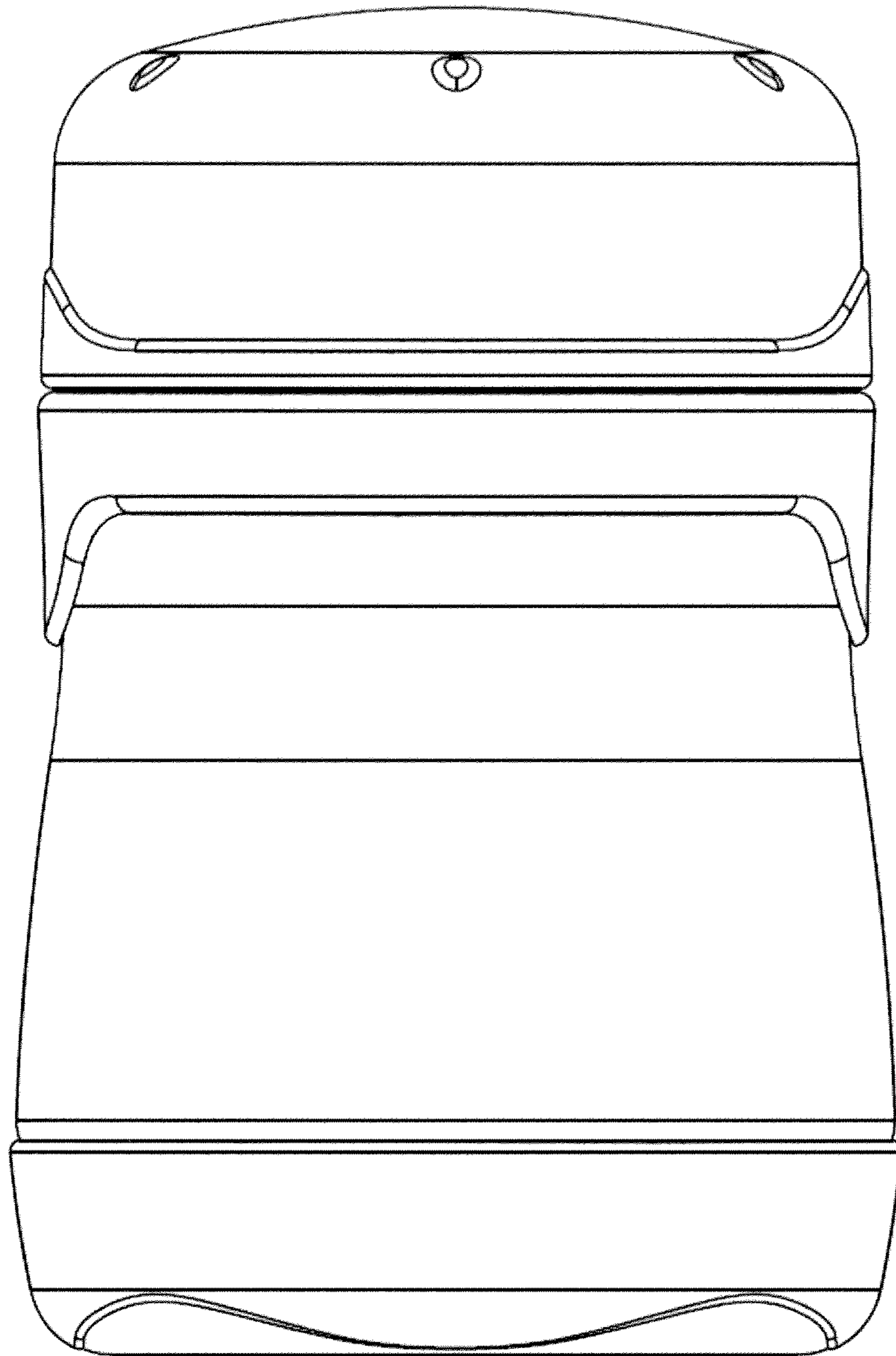


Figure 6

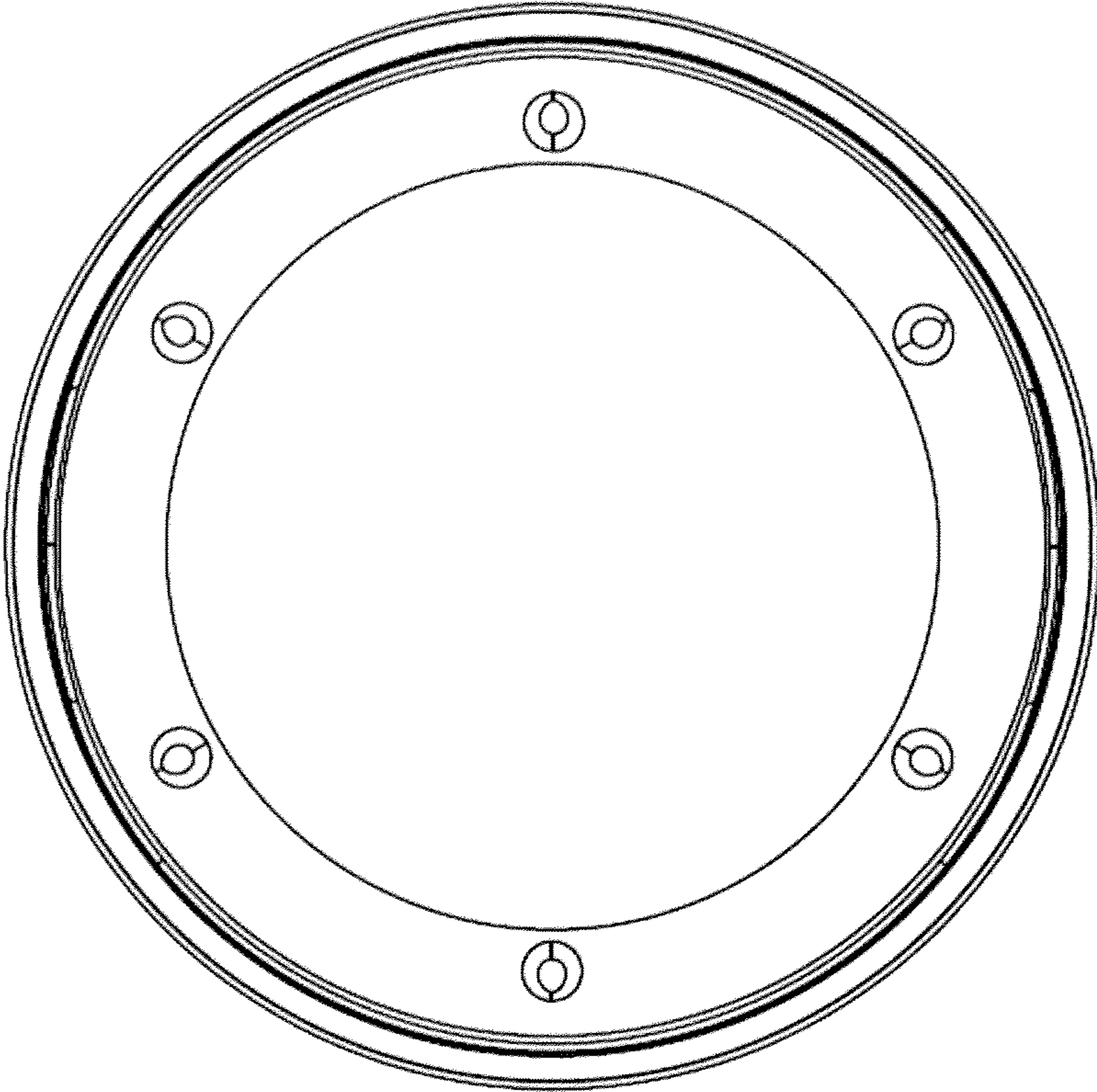


Figure 7

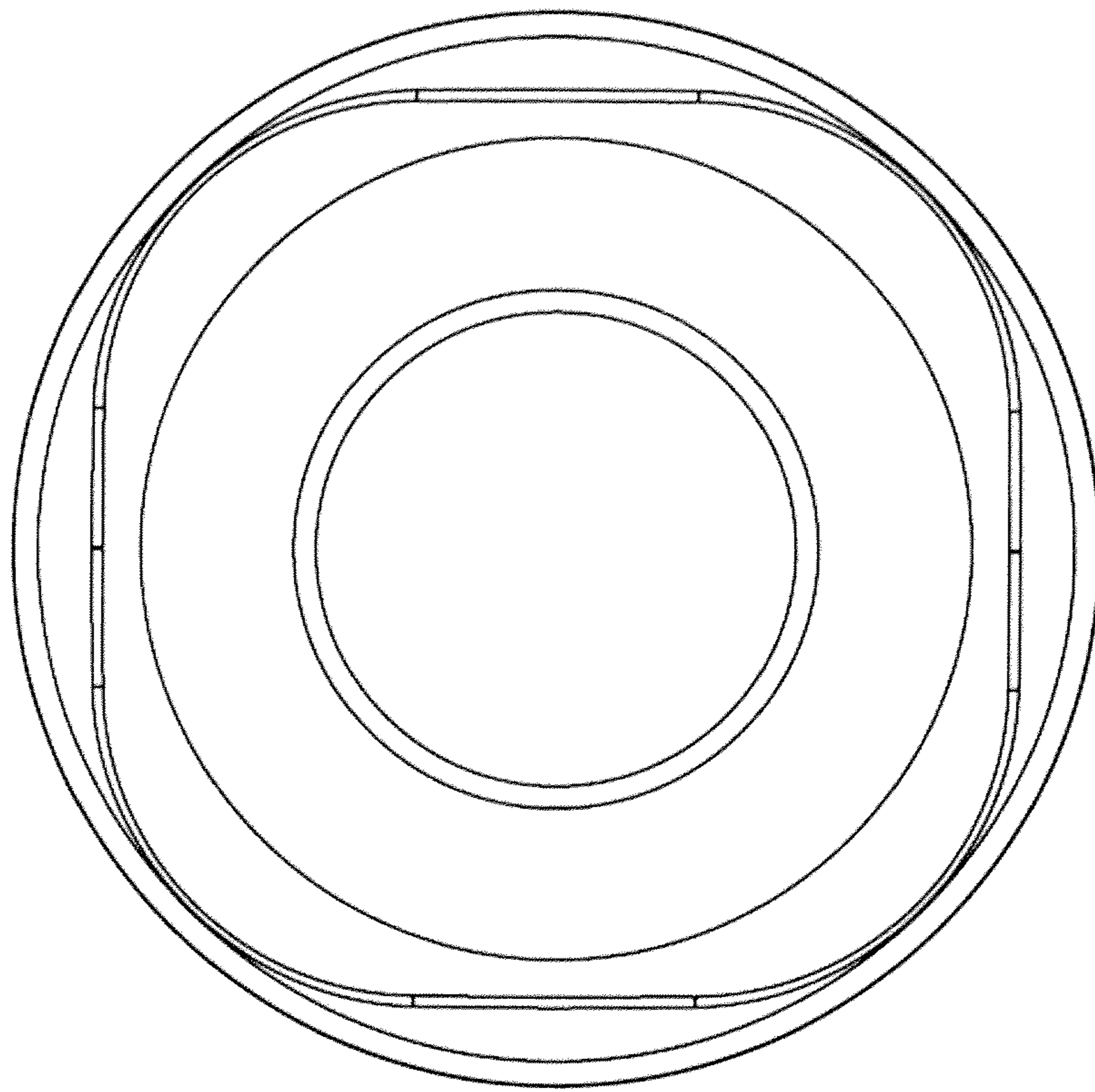


Figure 8