



US00D685229S

(12) **United States Design Patent**  
**Moran, Sr.**

(10) **Patent No.:** **US D685,229 S**  
(45) **Date of Patent:** **\*\* Jul. 2, 2013**

(54) **CONTAINER**

(75) Inventor: **Jorge Eugenio Moran, Sr.**, Nashville,  
TN (US)

(73) Assignee: **Megatrade International, Inc.**,  
Nashville, TN (US)

(\*\*) Term: **14 Years**

(21) Appl. No.: **29/398,648**

(22) Filed: **Aug. 3, 2011**

(51) **LOC (9) Cl.** ..... **07-01**

(52) **U.S. Cl.**  
USPC ..... **D7/608**

(58) **Field of Classification Search**  
USPC ..... D7/608, 629, 312-322, 605-607,  
D7/601, 602, 619.1; 62/457.1-457.9, 371,  
62/460, 463; 215/12.1, 12.2, 13.1, 6, 396,  
215/398, 10; 206/216, 217, 223, 541, 503;  
220/596.16, 592.17, 592.22, 592.23, 592.27,  
220/737-739, 902, 903, 673

See application file for complete search history.

(56) **References Cited**

**U.S. PATENT DOCUMENTS**

D79,915 S *	11/1929	Davis et al.	.....	D7/608
2,954,888 A *	10/1960	Bramming	.....	215/12.1
3,338,651 A *	8/1967	Jacobson	.....	312/240
D232,831 S *	9/1974	Vidmar, Jr.	.....	D23/386
D370,153 S *	5/1996	Chaney et al.	.....	D7/511
D390,755 S *	2/1998	Hotton	.....	D7/608
D395,203 S	6/1998	Moran		
D395,793 S	7/1998	Moran		
D395,794 S	7/1998	Moran		
D405,654 S *	2/1999	Moran	.....	D7/629
D406,014 S	2/1999	Moran		
D406,495 S *	3/1999	Moran	.....	D7/608
D407,273 S	3/1999	Moran		
D410,175 S	5/1999	Moran		
D411,717 S	6/1999	Moran		
D415,936 S	11/1999	Moran		

6,032,481 A *	3/2000	Mosby	.....	62/457.2
D425,374 S *	5/2000	Besser et al.	.....	D7/608
D432,367 S *	10/2000	Segura	.....	D7/608
D437,528 S	2/2001	Kitamura et al.		
6,332,557 B1	12/2001	Moran		
D452,799 S	1/2002	Moran		
6,530,496 B2	3/2003	Moran		
6,536,620 B2	3/2003	Moran		

(Continued)

**FOREIGN PATENT DOCUMENTS**

FR 2866324 8/2005

*Primary Examiner* — Ian Simmons

*Assistant Examiner* — Shannon Weekley

(74) *Attorney, Agent, or Firm* — LeClairRyan, a  
Professional Corporation

(57) **CLAIM**

I claim the ornamental design for a container, as shown and  
described.

**DESCRIPTION**

FIG. 1 is a front perspective view showing my new design of  
a container thereof;

FIG. 2 is a front elevational view thereof;

FIG. 3 is a rear elevational view thereof;

FIG. 4 is a left side elevational view thereof;

FIG. 5 is a right side elevational view thereof;

FIG. 6 is a top plan view thereof;

FIG. 7 is a bottom plan view thereof;

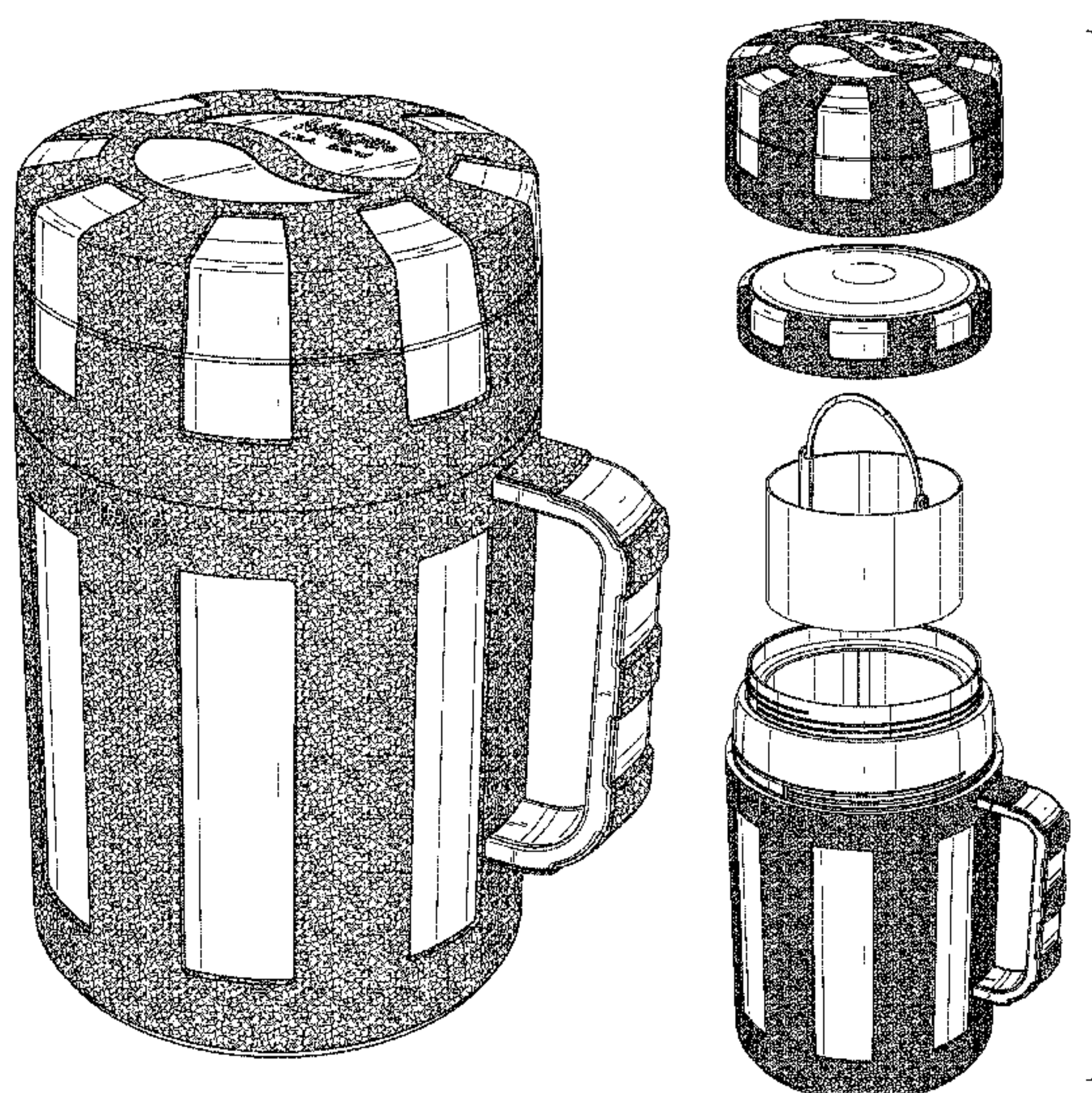
FIG. 8 is a front perspective view shown with the outer lid  
removed thereof;

FIG. 9 is a front perspective view shown with the outer and  
inner lid removed thereof; and,

FIG. 10 is a front perspective view shown with outer, inner,  
and inner container removed thereof.

The broken lines in FIGS. 1, 2, 6, and 8-10 of the container is  
for the purpose of illustrating environment, and forms no part  
of the claimed design.

**1 Claim, 10 Drawing Sheets**



# US D685,229 S

Page 2

## U.S. PATENT DOCUMENTS

D474,172 S *	5/2003	Jacobson	.....	D14/207	D522,816 S *	6/2006	Schuler	.....	D7/629
D479,785 S *	9/2003	Schuler	.....	D7/629	D533,032 S	12/2006	Liu et al.		
D488,961 S	4/2004	Moran			D553,914 S	10/2007	Wahl		
D490,275 S	5/2004	Moran			D559,028 S *	1/2008	Appleton	.....	D7/317
6,764,622 B2	7/2004	Moran			D572,981 S	7/2008	Carreno		
D497,778 S	11/2004	Rich			D583,200 S *	12/2008	Moran	.....	D7/709
D500,231 S	12/2004	Ward et al.			D623,480 S	9/2010	Moran		
D503,589 S *	4/2005	Schuler	.....	D7/608	D623,481 S	9/2010	Moran		
D513,688 S	1/2006	Moran			D673,459 S *	1/2013	Moran, Sr.	.....	D9/608
D516,877 S *	3/2006	Schmidt	.....	D7/629	2002/0092855 A1 *	7/2002	Moran	.....	220/603
D518,380 S	4/2006	Moran							

\* cited by examiner



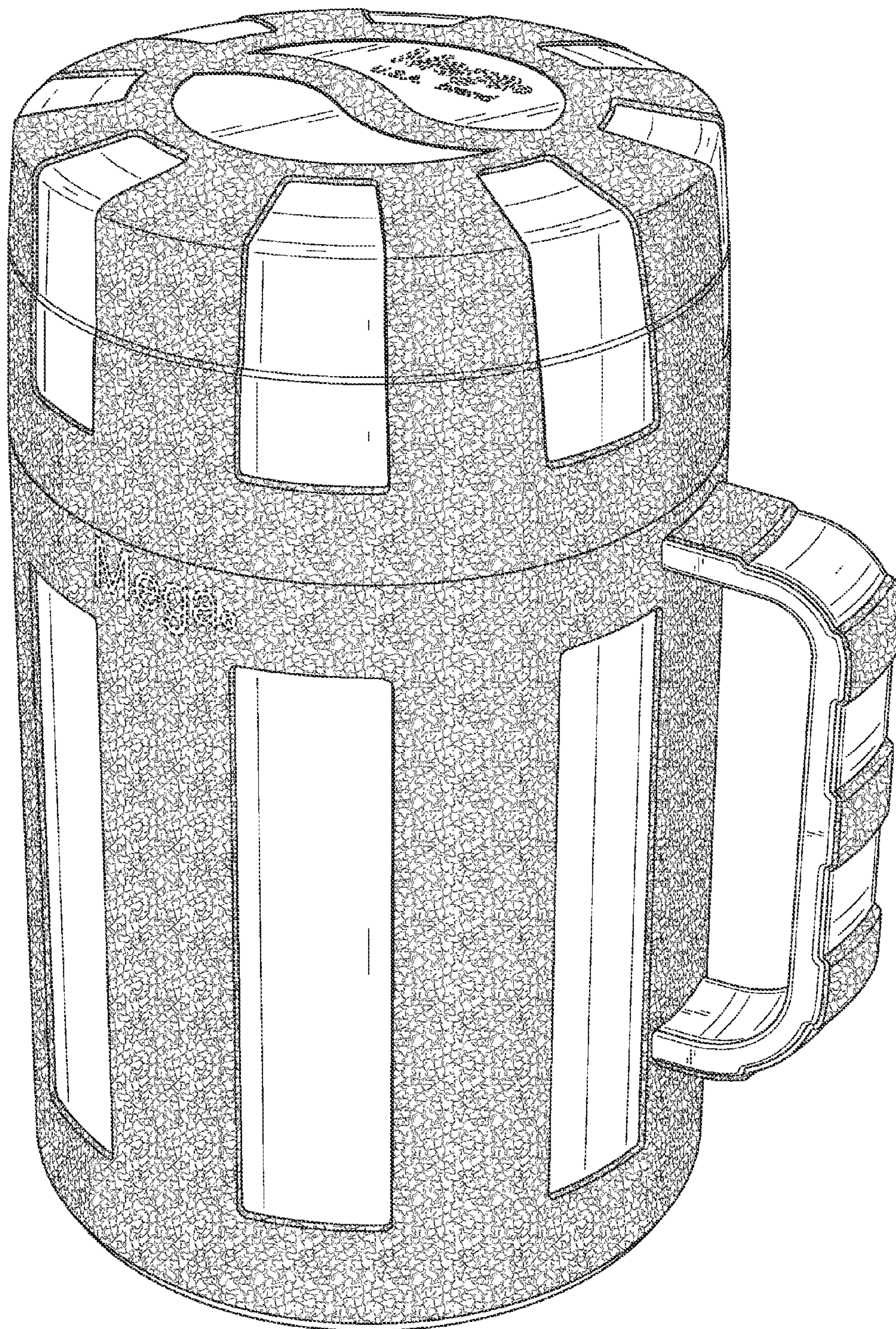


FIG. 1



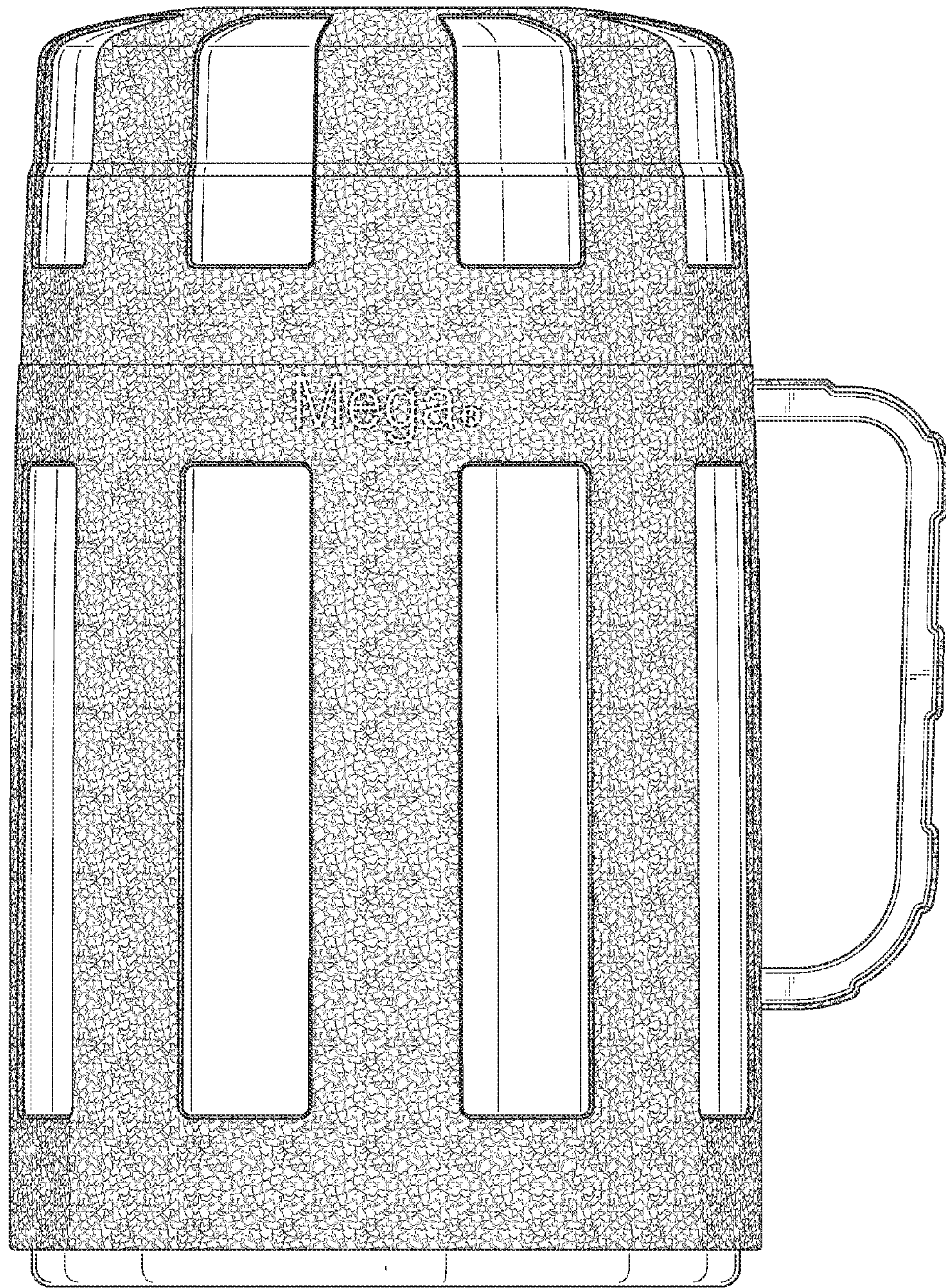


FIG. 2



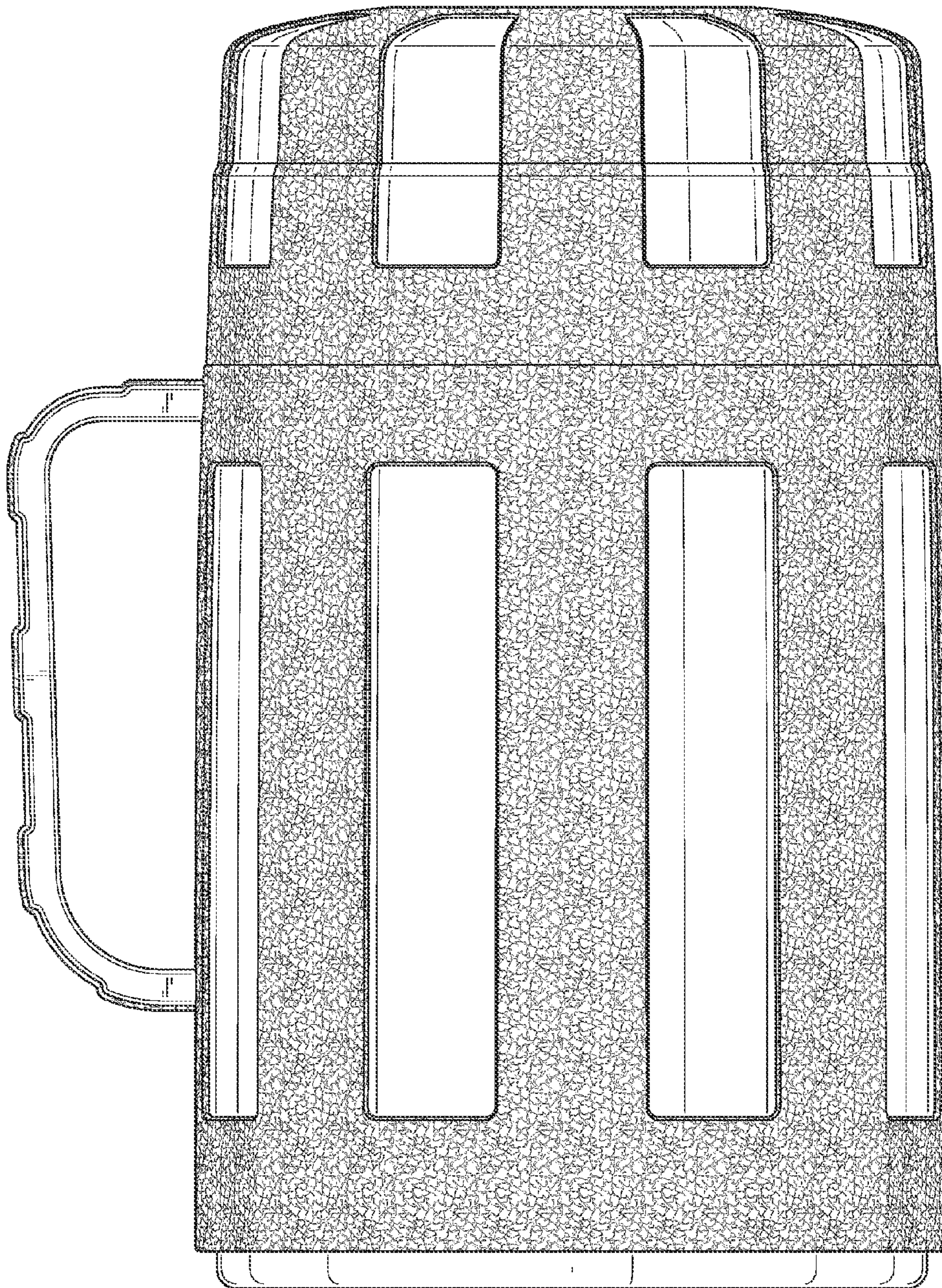


FIG. 3



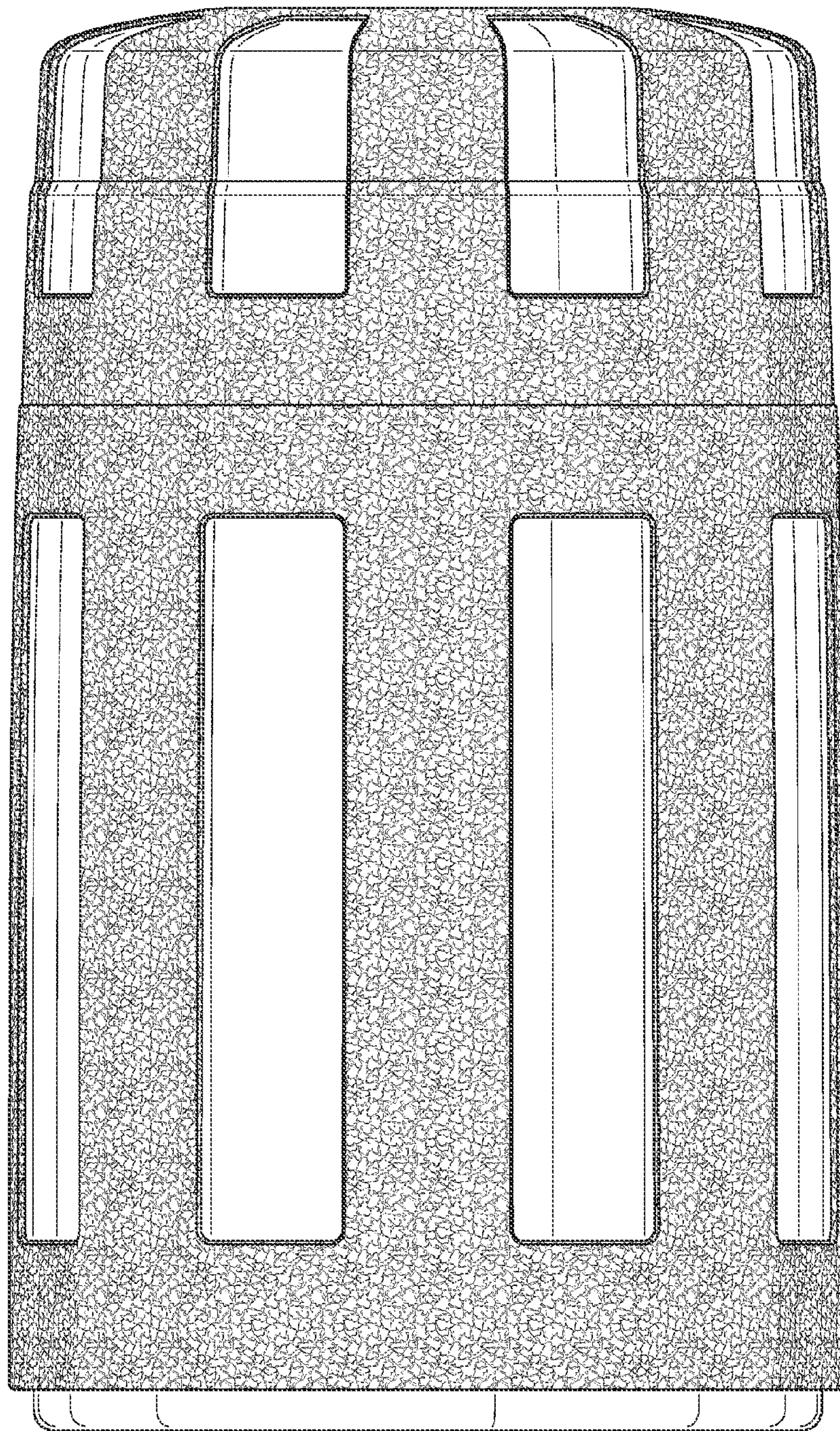


FIG. 4



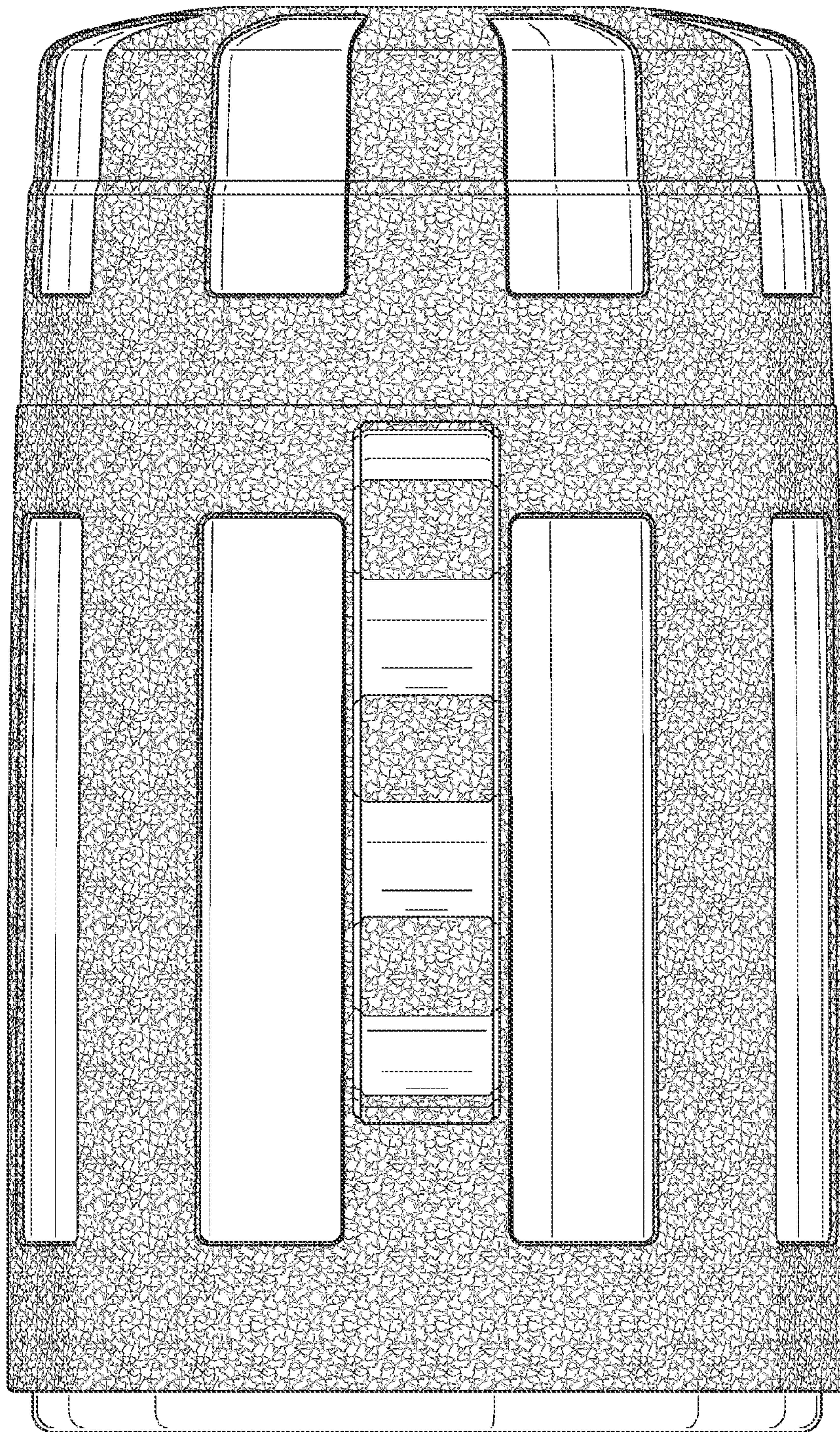


FIG. 5



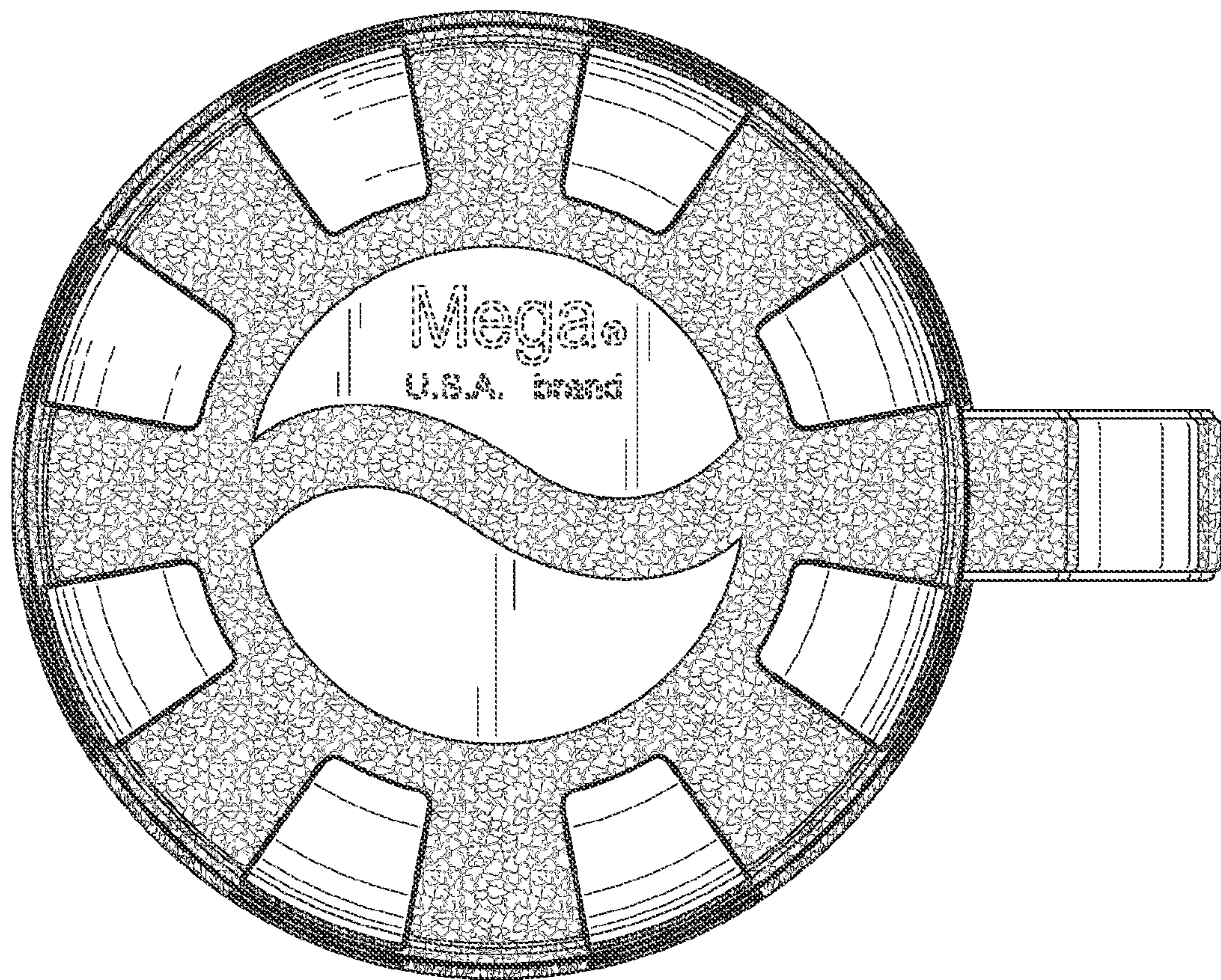


FIG. 6



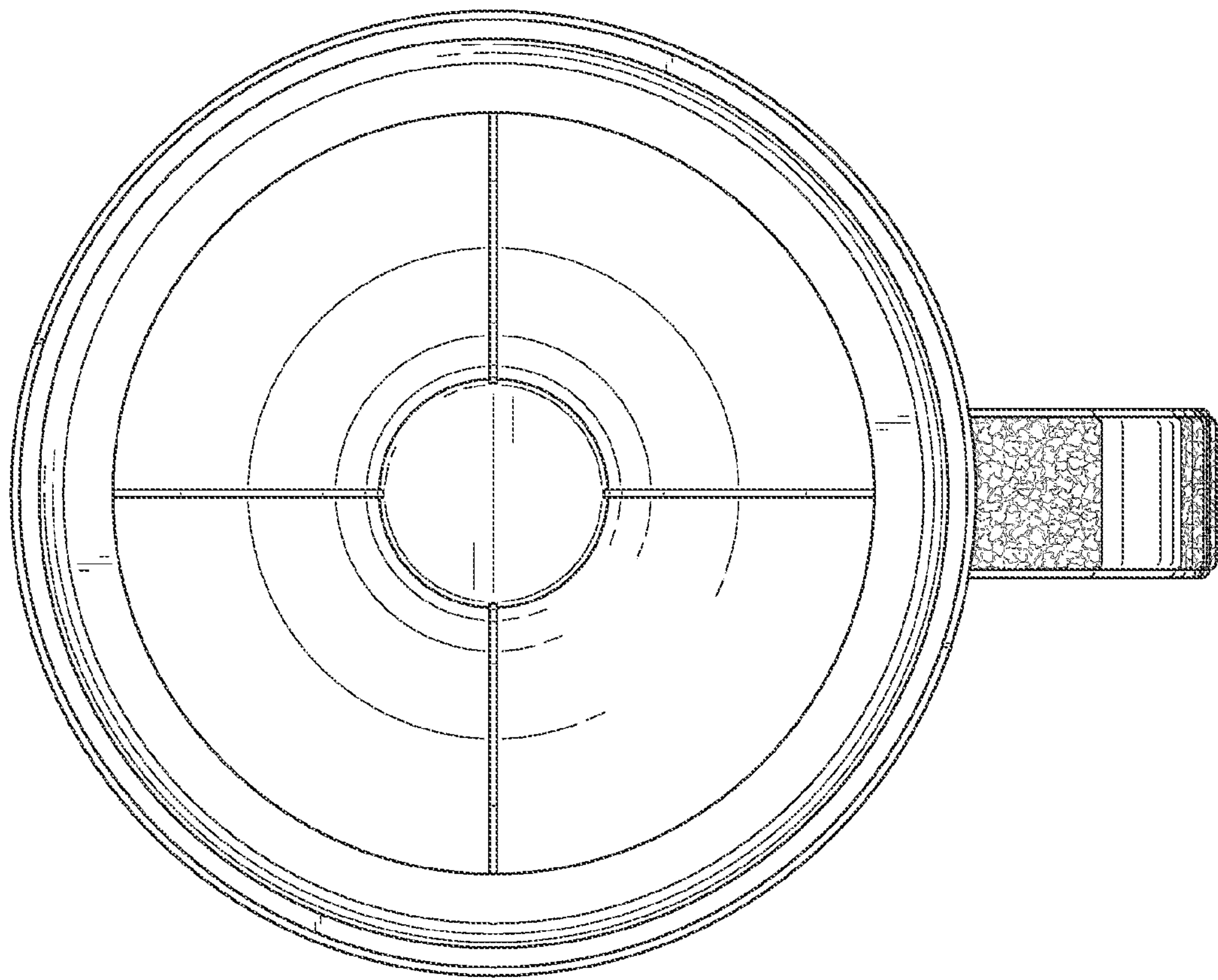


FIG. 7



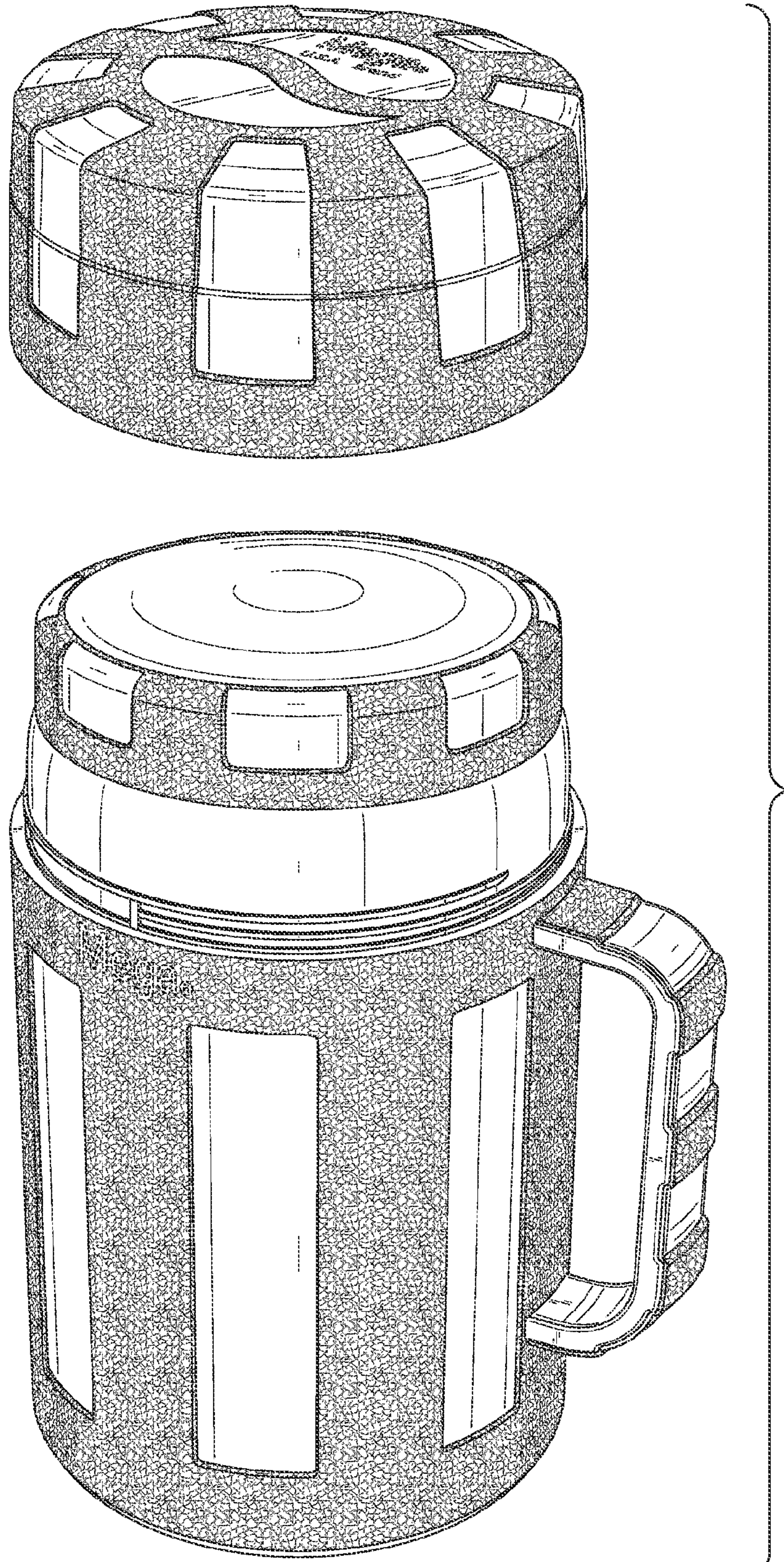


FIG. 8



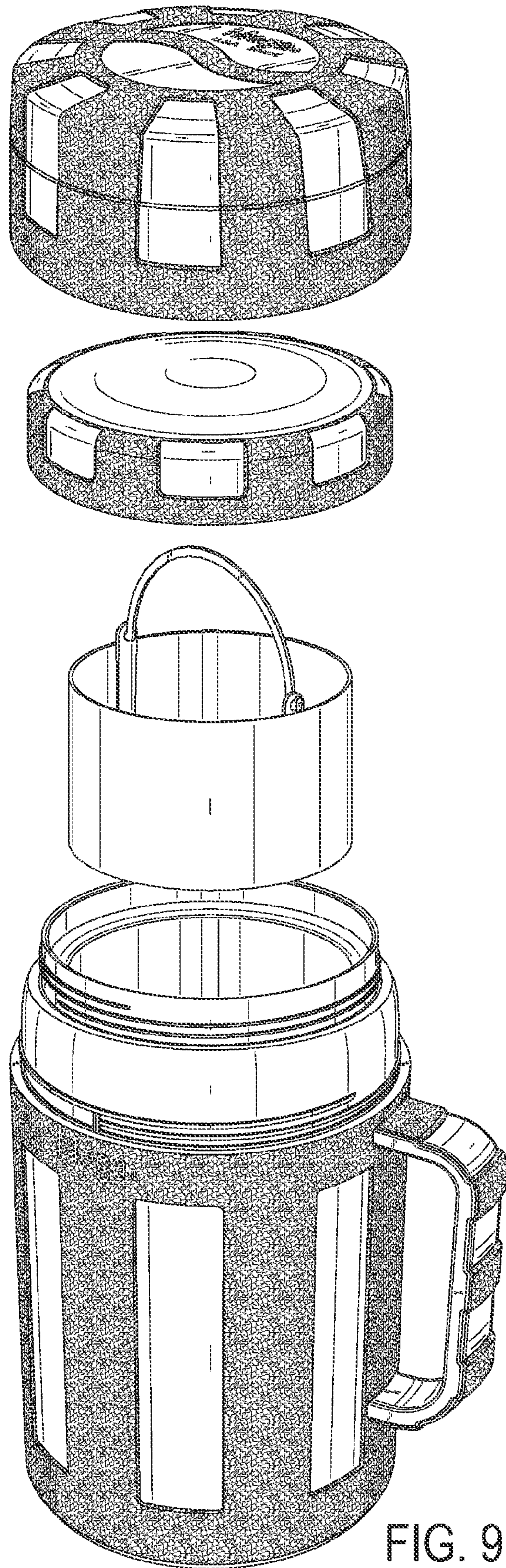


FIG. 9



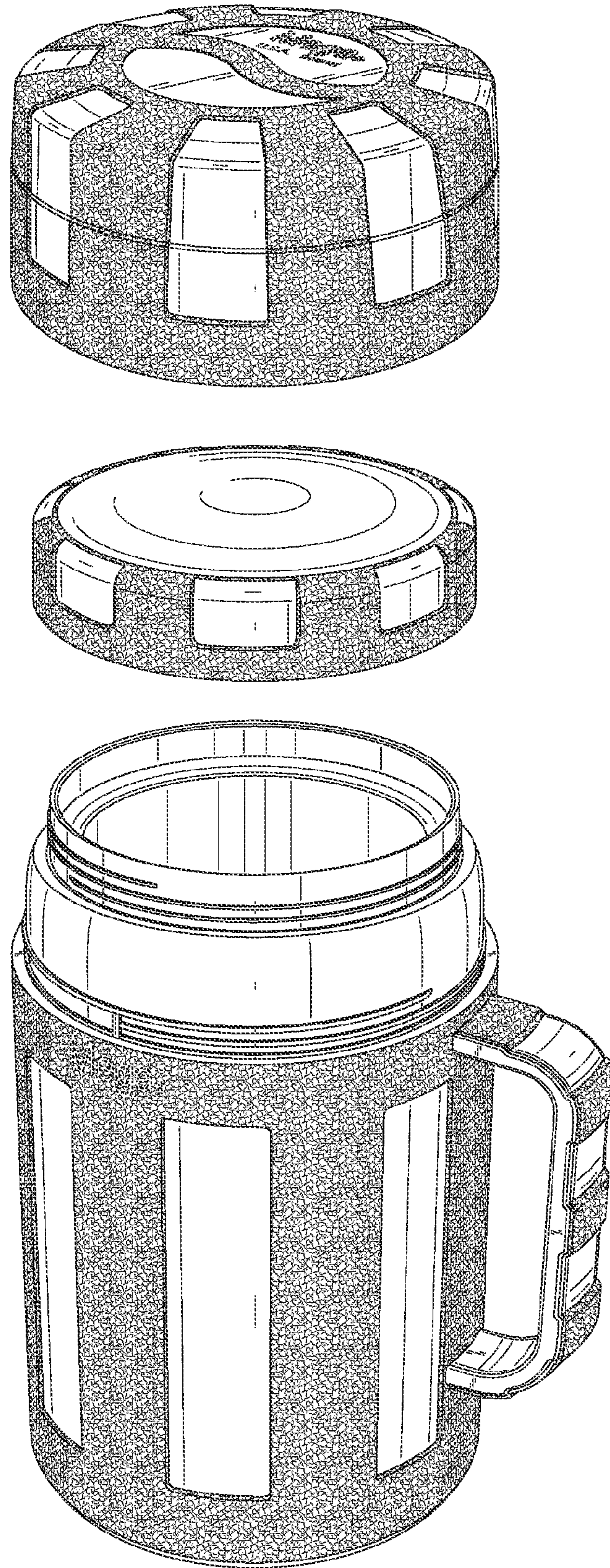


FIG. 10